



US00D843967S

(12) **United States Design Patent**  
**Paterson et al.**

(10) **Patent No.:** **US D843,967 S**  
(45) **Date of Patent:** **\*\* Mar. 26, 2019**

(54) **COMMUNICATIONS HEADSET OR HEADPHONE**

(71) Applicant: **Plantronics, Inc.**, Santa Cruz, CA (US)

(72) Inventors: **Nicholas W Paterson**, Santa Cruz, CA (US); **Bowman Wang**, Ben Lomond, CA (US); **Gregor Magnusson**, Watsonville, CA (US)

(73) Assignee: **Plantronics, Inc.**, Santa Cruz, CA (US)

(\*\*) Term: **15 Years**

(21) Appl. No.: **29/609,172**

(22) Filed: **Jun. 28, 2017**

**Related U.S. Application Data**

(63) Continuation-in-part of application No. 29/574,981, filed on Aug. 19, 2016, now Pat. No. Des. 813,837.

(51) **LOC (11) Cl.** ..... **14-01**

(52) **U.S. Cl.**  
USPC ..... **D14/205**

(58) **Field of Classification Search**  
USPC ..... D14/205, 223, 188, 192, 249; D29/112; 2/209, 411, 423; 181/129, 130, 135; 379/430, 431; 381/380, 381, 374, 371, 381/183, 187, 328; 455/90.1, 575.1, 455/569.1

CPC .... H04R 1/1066; H04R 1/1016; H04R 5/033; H04R 5/0335; H04R 1/00; H04R 25/00  
See application file for complete search history.

(56) **References Cited**

**U.S. PATENT DOCUMENTS**

3,562,816 A \* 2/1971 Hutchinson ..... A61F 11/14 2/209

D229,833 S 1/1974 Becker

D241,350 S \* 9/1976 Kao et al. .... D14/249

D255,352 S \* 6/1980 Besasie ..... D14/205  
4,385,209 A 5/1983 Greason et al.  
4,689,822 A 8/1987 Houng  
D317,767 S 6/1991 Banks  
5,035,005 A 7/1991 Hung  
D328,461 S \* 8/1992 Daido ..... D14/205  
D353,818 S \* 12/1994 Nakamura ..... D14/205

(Continued)

**FOREIGN PATENT DOCUMENTS**

JP D1293195 S 2/2007  
JP D1337829 S 8/2008

(Continued)

**OTHER PUBLICATIONS**

Taiwan IPO Search Report issued in corresponding Taiwan Design Registration Application No. 106304756 dated Mar. 22, 2018.

(Continued)

*Primary Examiner* — Paula Allen Greene

(57) **CLAIM**

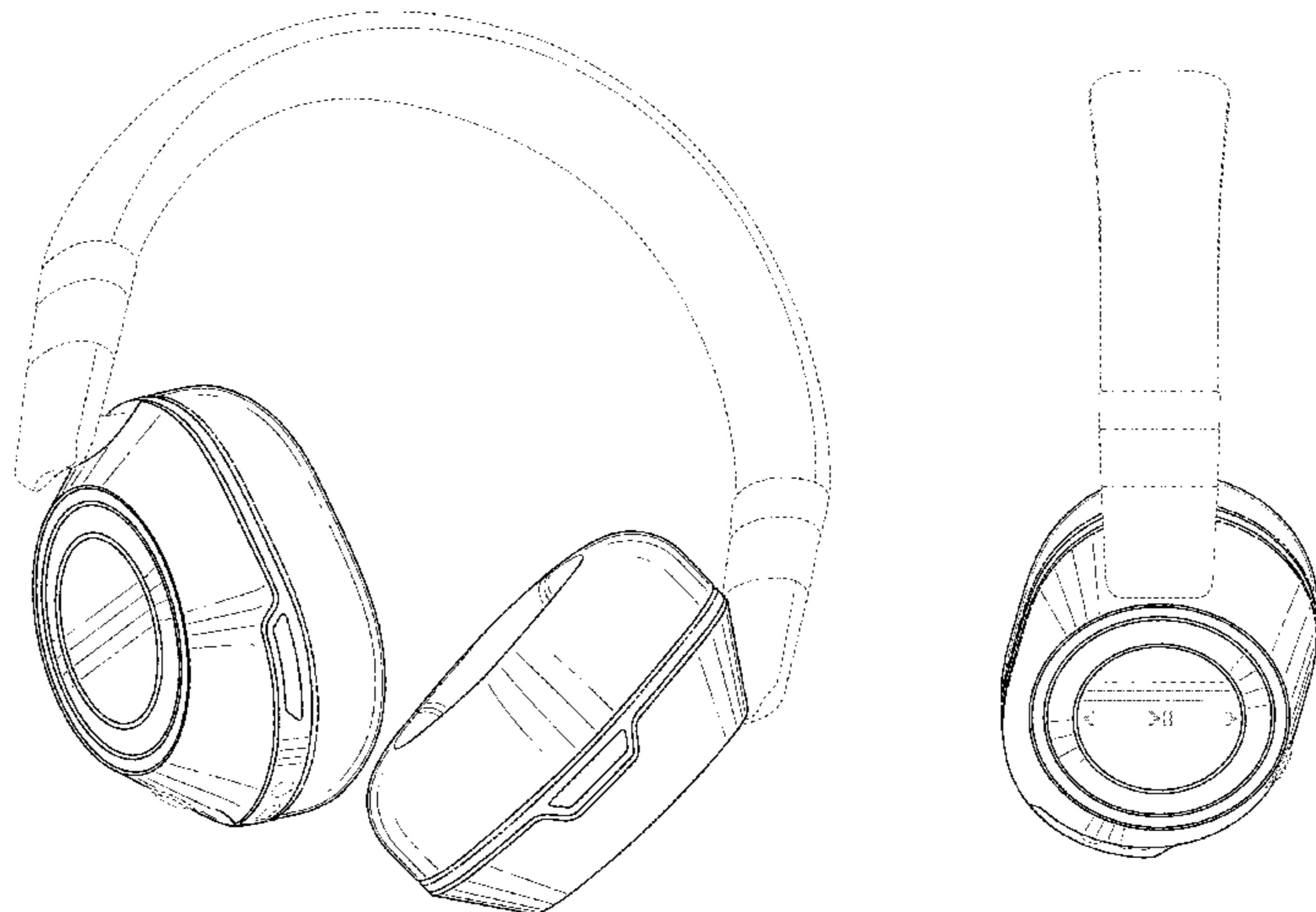
The ornamental design for a communications headset or headphone, as shown and described.

**DESCRIPTION**

FIG. 1 is a front-left perspective view of a communications headset or headphone showing my new design; FIG. 2 is a back-right perspective view thereof; FIG. 3 is a front view thereof; FIG. 4 is a back view thereof; FIG. 5 is a right side view thereof; FIG. 6 is a left side view thereof; FIG. 7 is a top view thereof; and, FIG. 8 is a bottom view thereof.

The broken lines showing the unclaimed features form no part of the claimed design.

**1 Claim, 8 Drawing Sheets**



(56)

References Cited

U.S. PATENT DOCUMENTS

D358,389 S 5/1995 Isono  
 D358,390 S \* 5/1995 Hayashi ..... D14/205  
 D453,015 S 1/2002 Yuyama  
 D491,163 S \* 6/2004 Green ..... D14/205  
 D504,414 S 4/2005 Yoshida  
 7,020,902 B1 \* 4/2006 Tyler ..... A61F 11/14  
 2/209  
 D534,156 S 12/2006 Obata  
 7,412,070 B2 \* 8/2008 Kleinschmidt ..... H04R 1/1083  
 381/370  
 D594,847 S \* 6/2009 Suzuki ..... D14/205  
 D603,370 S \* 11/2009 Suzuki ..... D14/205  
 D632,668 S \* 2/2011 Brunner ..... D14/205  
 D637,176 S 5/2011 Brunner et al.  
 D642,554 S 8/2011 Schaal et al.  
 D657,776 S \* 4/2012 Lee ..... D14/205  
 D662,080 S \* 6/2012 Carr ..... D14/205  
 D663,900 S \* 7/2012 Karlsson ..... A61F 11/14  
 D29/112  
 D664,117 S 7/2012 Tappeiner et al.  
 D683,717 S 6/2013 Kelly et al.  
 D684,559 S 6/2013 Groset et al.  
 D691,984 S \* 10/2013 Wang ..... D14/205  
 D693,791 S \* 11/2013 Troy ..... D14/205  
 D697,897 S \* 1/2014 Lee ..... D14/205  
 D713,384 S \* 9/2014 McNamara ..... D14/205  
 D716,255 S \* 10/2014 Cho ..... D14/205  
 D719,136 S \* 12/2014 Schaal ..... D14/205  
 D722,590 S \* 2/2015 Lu ..... D14/205  
 D723,507 S \* 3/2015 Zambelli ..... D14/205  
 D725,629 S \* 3/2015 Kiuchi ..... D14/205

D725,630 S \* 3/2015 Nakagawa ..... D14/205  
 D729,378 S \* 5/2015 Autrey ..... D23/398  
 D734,296 S \* 7/2015 Paterson ..... D14/205  
 D737,297 S 8/2015 Moon et al.  
 D738,350 S \* 9/2015 Brunner ..... D14/205  
 D739,842 S \* 9/2015 Birger ..... D14/205  
 D742,357 S \* 11/2015 Chung ..... D14/205  
 D750,041 S \* 2/2016 Birger ..... D14/205  
 D775,604 S \* 1/2017 Kimura ..... D14/203.7  
 D787,469 S \* 5/2017 Djohar ..... D14/205  
 D796,475 S \* 9/2017 Wang ..... D14/205  
 D809,478 S \* 2/2018 Arimoto ..... D14/205  
 D813,837 S \* 3/2018 Paterson ..... D14/205  
 2003/0034198 A1 \* 2/2003 Cushman ..... A61F 11/14  
 181/129  
 2015/0117693 A1 \* 4/2015 Akino ..... H04R 1/1008  
 381/370

FOREIGN PATENT DOCUMENTS

JP D1467440 S 4/2013  
 JP D1576082 S 5/2017  
 TW D147348 6/2012  
 TW D185430 S 9/2017

OTHER PUBLICATIONS

Paterson, Design U.S. Appl. No. 29/574,981, filed Aug. 19, 2016, 9 pages.  
 Taiwan IPO Search Report issued in Taiwan Application No. 106300499, completed Jul. 13, 2017 and English translation thereof (2 pages).

\* cited by examiner



FIG. 1





FIG. 2

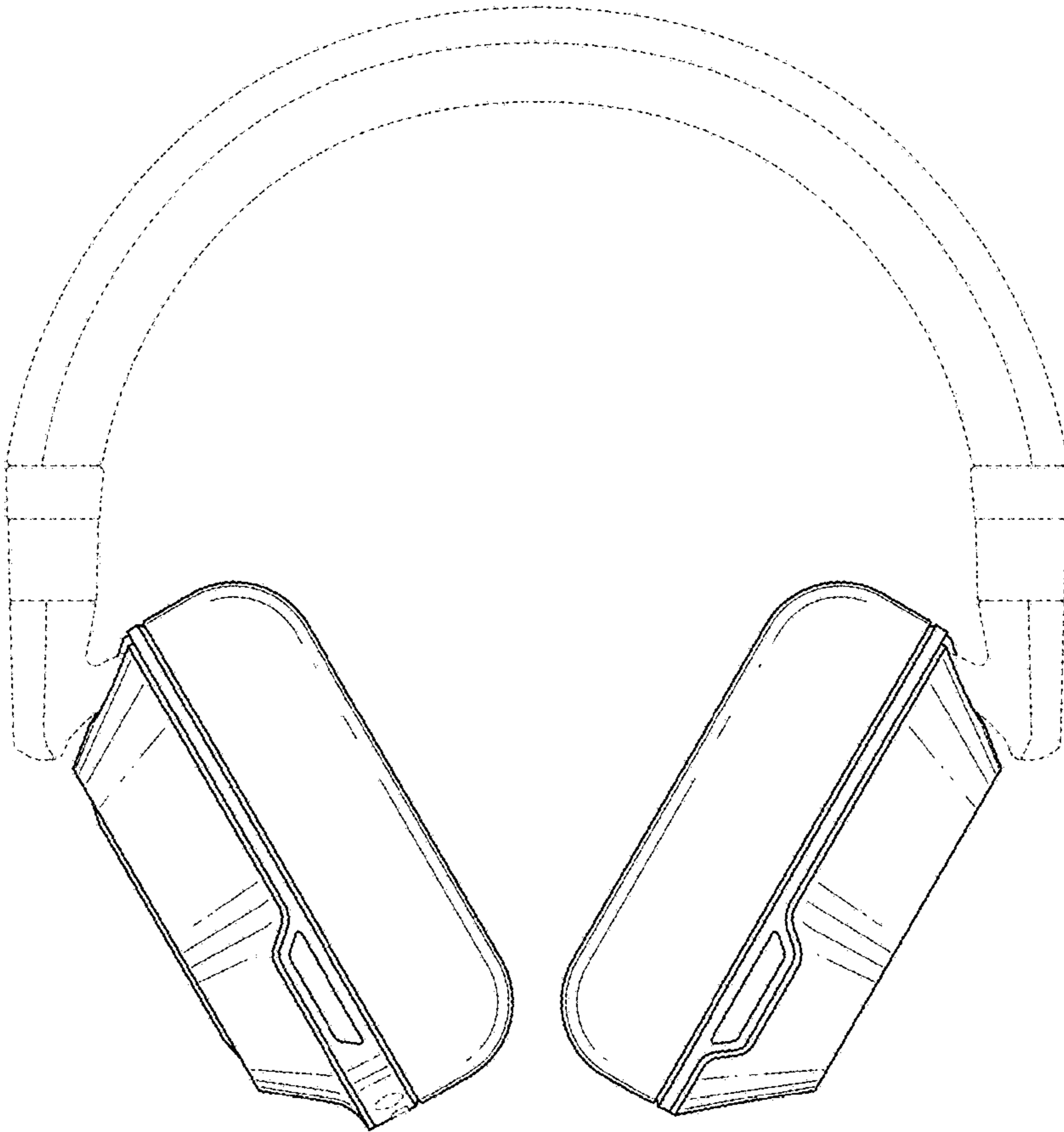


FIG. 3

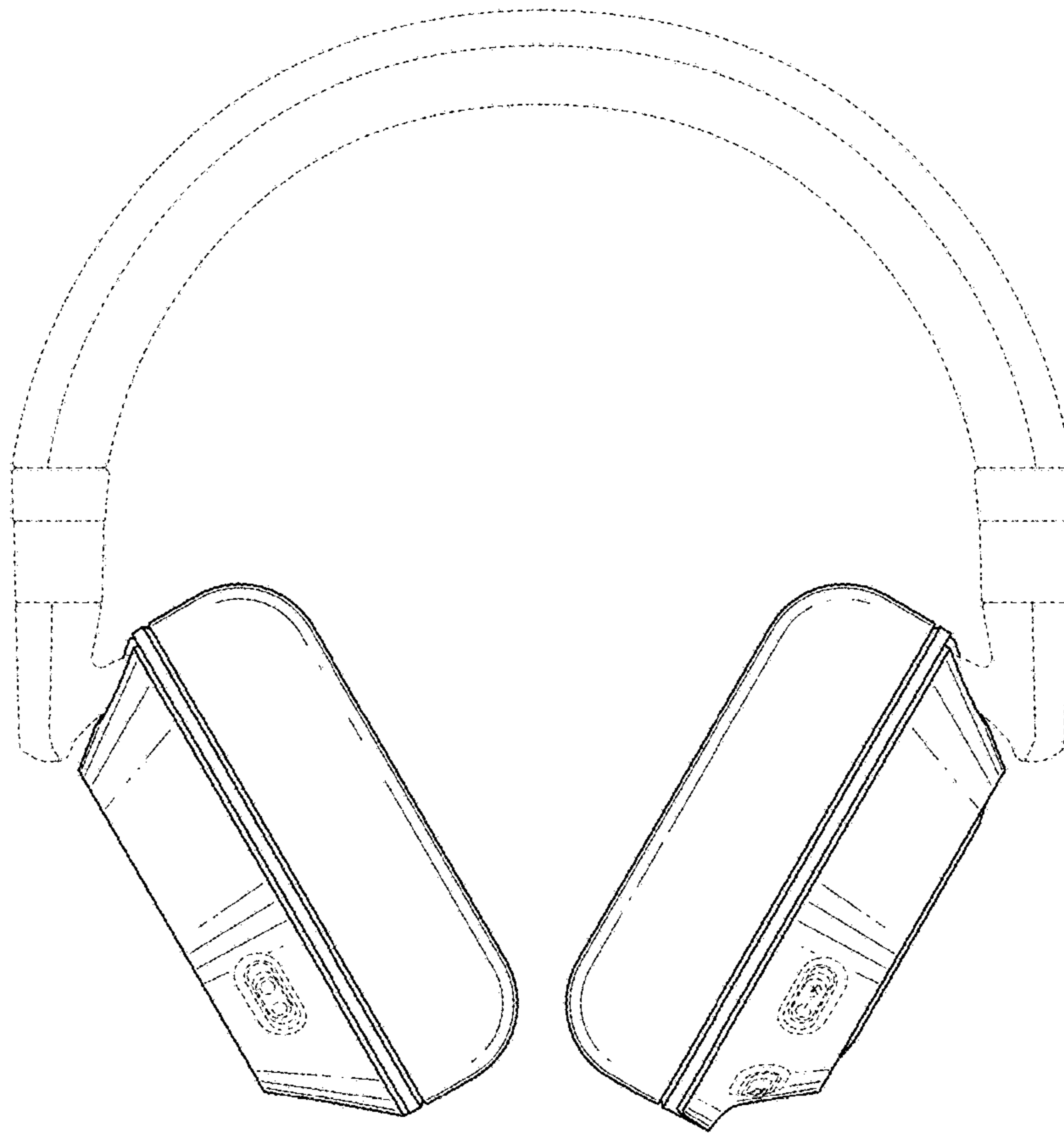


FIG. 4

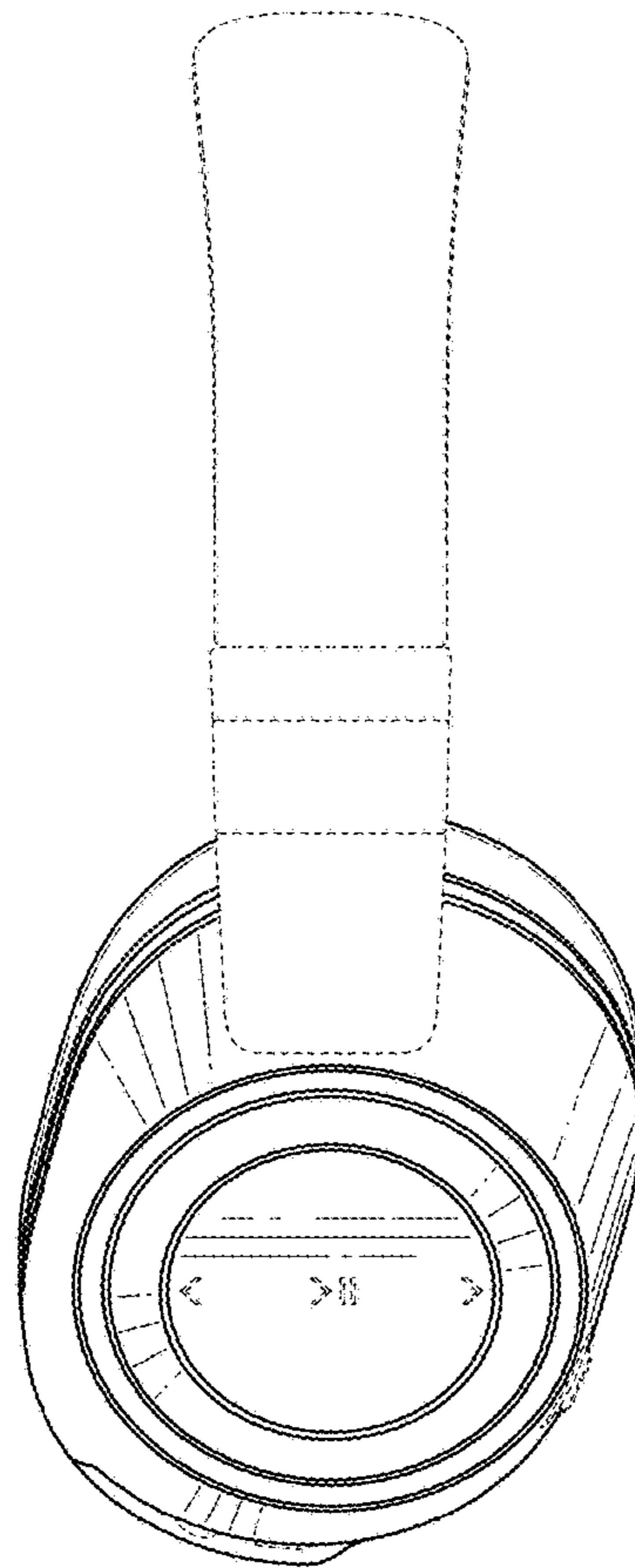


FIG. 5

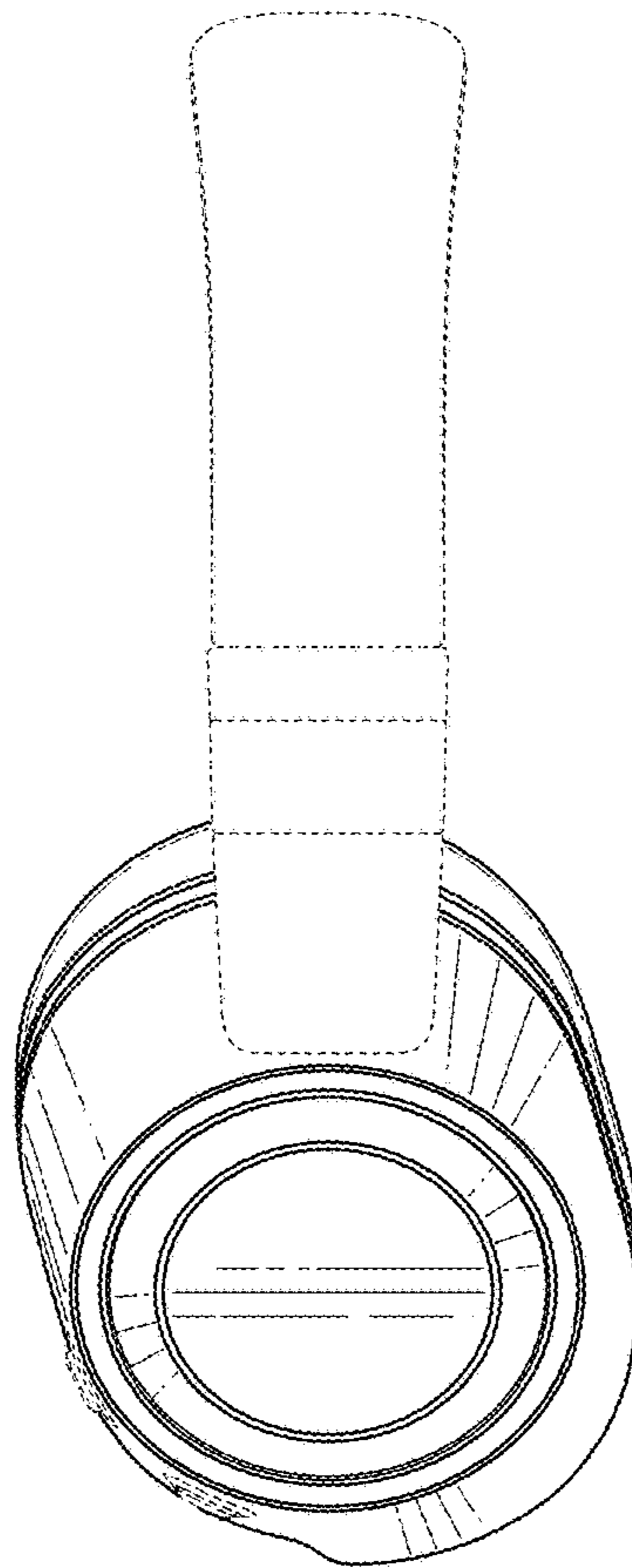


FIG. 6



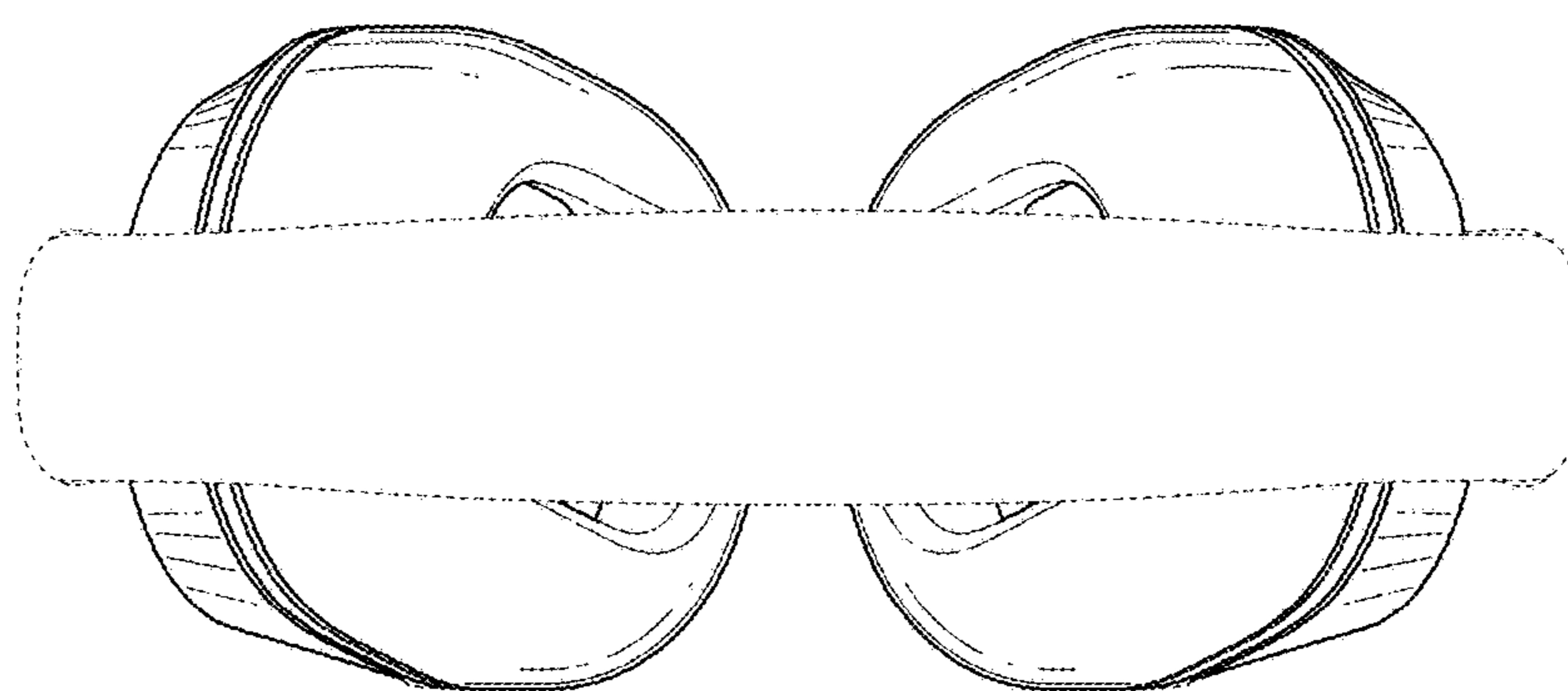


FIG. 7

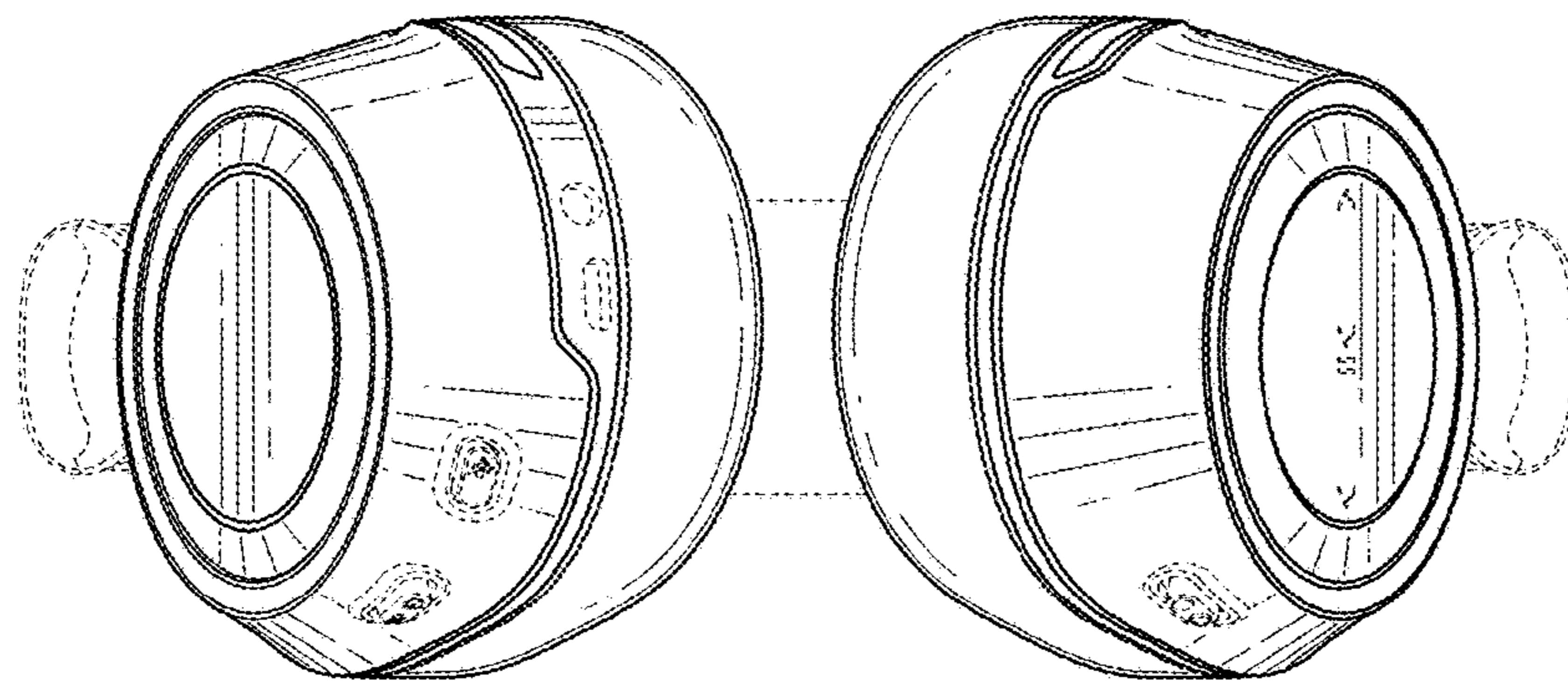


FIG. 8