



US00D843960S

(12) **United States Design Patent**
Catania

(10) **Patent No.:** **US D843,960 S**

(45) **Date of Patent:** **** Mar. 26, 2019**

(54) **TELEVISION**

(71) Applicant: **Michael Ross Catania**, Laurel Springs, NJ (US)

(72) Inventor: **Michael Ross Catania**, Laurel Springs, NJ (US)

(73) Assignee: **Michael Ross Catania**, Laurel Springs, NJ (US)

(**) Term: **15 Years**

(21) Appl. No.: **29/617,229**

(22) Filed: **Sep. 12, 2017**

(51) **LOC (11) Cl.** **14-03**

(52) **U.S. Cl.**
USPC **D14/126**

(58) **Field of Classification Search**
USPC D14/125–134, 239, 371, 136, 374–377, D14/440, 450, 448, 336, 342, 159; 312/7.2; 348/836, 838, 180, 184, 325, 348/739; 248/917–924, 465; 345/104, 345/133, 156, 168, 87, 173; D21/329, D21/515, 577, 622, 333, 433, 448, 452, D21/450, 331, 505; D10/15, 26; 446/484, 175, 356; D6/477, 479, 300; D20/10, 19, 39; D16/203, 241; 160/24
CPC G06F 1/1601; G06F 1/1643; G06F 1/1652; G06F 1/1647; G06F 3/0412; H05K 5/0004; H05K 5/0017; H05K 5/02; H05K 5/0217; H04N 13/0459
See application file for complete search history.

(56) **References Cited**

U.S. PATENT DOCUMENTS

D615,576 S 5/2010 Takahashi et al.
D699,280 S 2/2014 Lim et al.

D766,857 S * 9/2016 Won D14/126
D776,631 S * 1/2017 Kim D14/126
D781,258 S * 3/2017 Kim D14/126
D783,556 S 4/2017 Woo et al.
D786,814 S * 5/2017 Lee D14/126
D789,900 S 6/2017 Lee et al.
D796,462 S 9/2017 Bang et al.
D796,464 S 9/2017 Kim et al.
D796,465 S 9/2017 Kim et al.

* cited by examiner

Primary Examiner — Randall H Gholson

(57) **CLAIM**

The ornamental design for a television, as shown and described.

DESCRIPTION

FIG. 1 is a front perspective view of a television showing my new design;
FIG. 2 is a rear perspective view thereof;
FIG. 3 is a front elevational view thereof;
FIG. 4 is a back elevational view thereof;
FIG. 5 is a left elevational view thereof;
FIG. 6 is a right elevational view thereof;
FIG. 7 is a top plan view thereof;
FIG. 8 is a bottom plan view thereof;
FIG. 9 is a front elevational view of a television in which the entire display screen is closed;
FIG. 10 is a front perspective view thereof;
FIG. 11 is a front elevational view of a television in which the support rods are in the partially closed position;
FIG. 12 is a front perspective view thereof;
FIG. 13 is a front perspective view of a television in the closed position;
FIG. 14 is a top plan view thereof; and
FIG. 15 is a rear perspective view thereof.

1 Claim, 15 Drawing Sheets

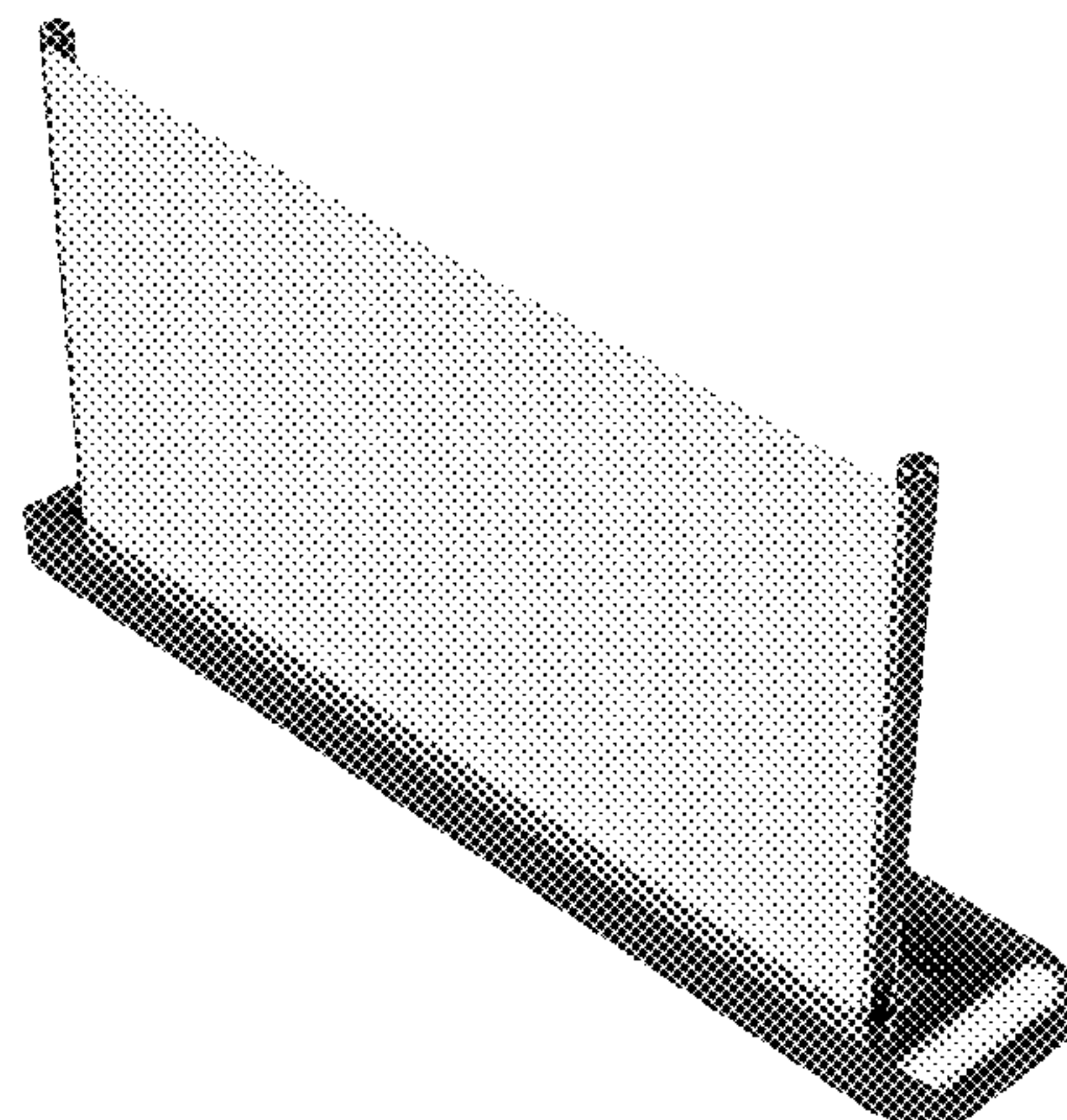


FIG.1

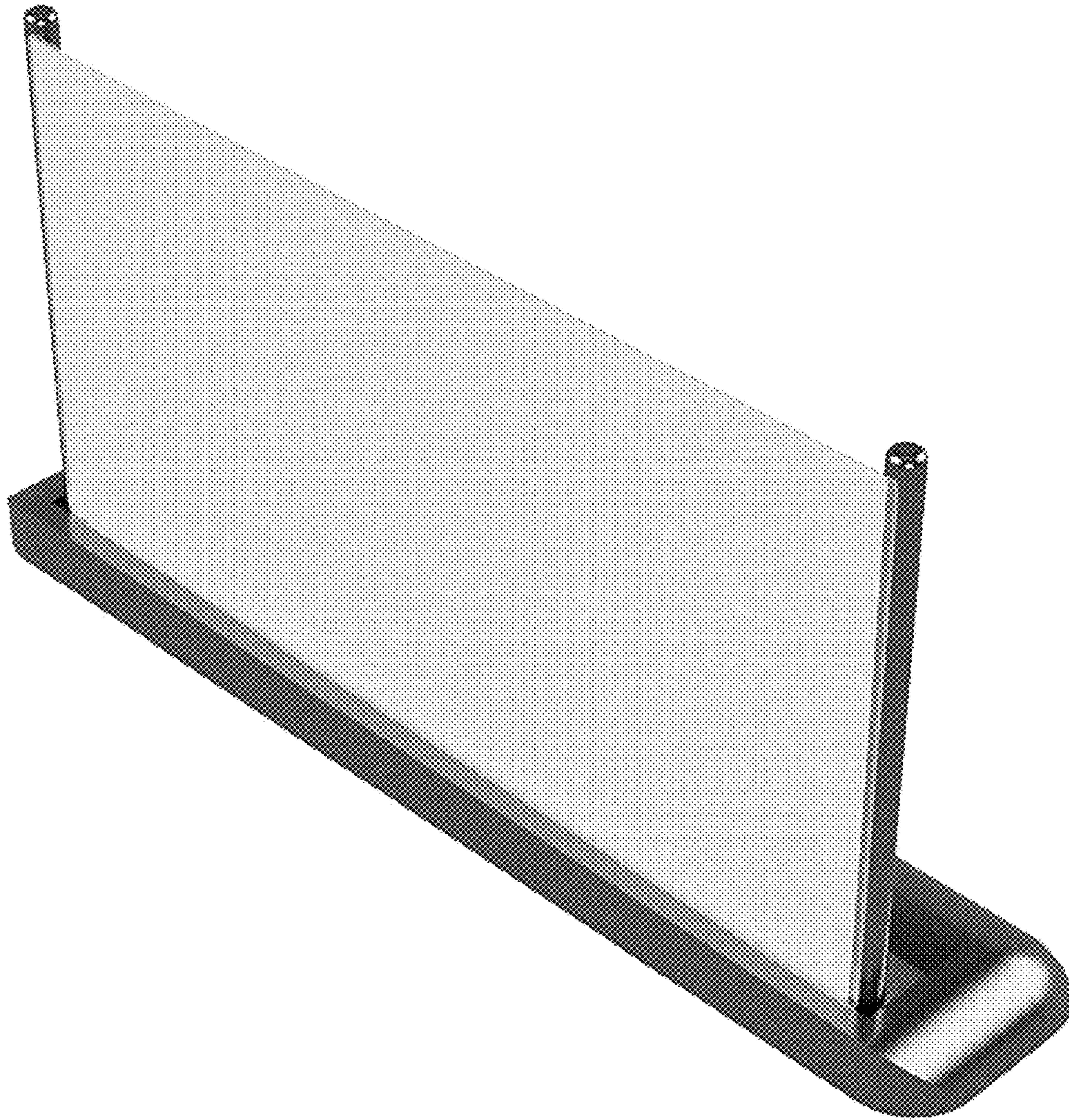


FIG.2



FIG.3

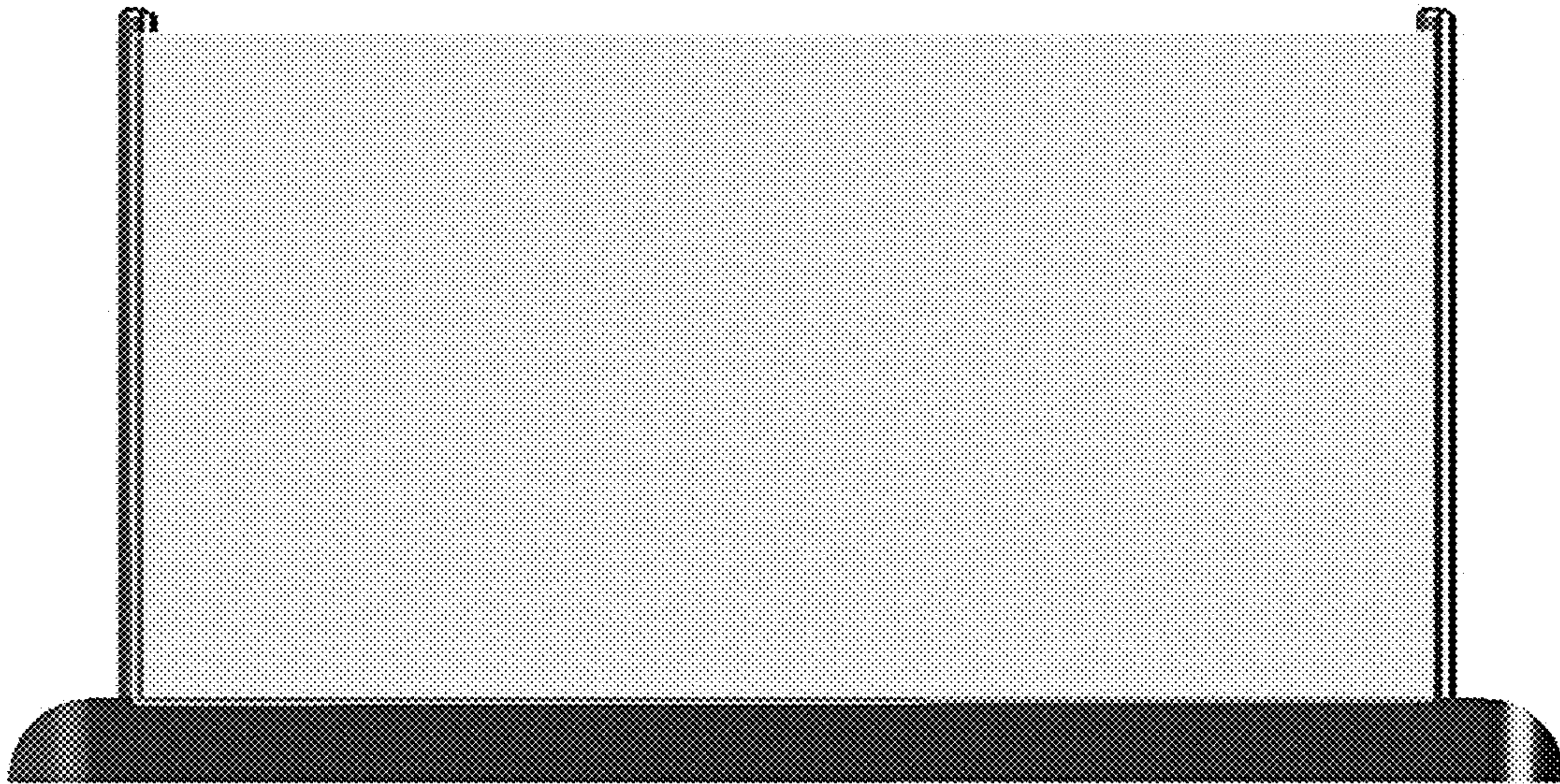


FIG.4

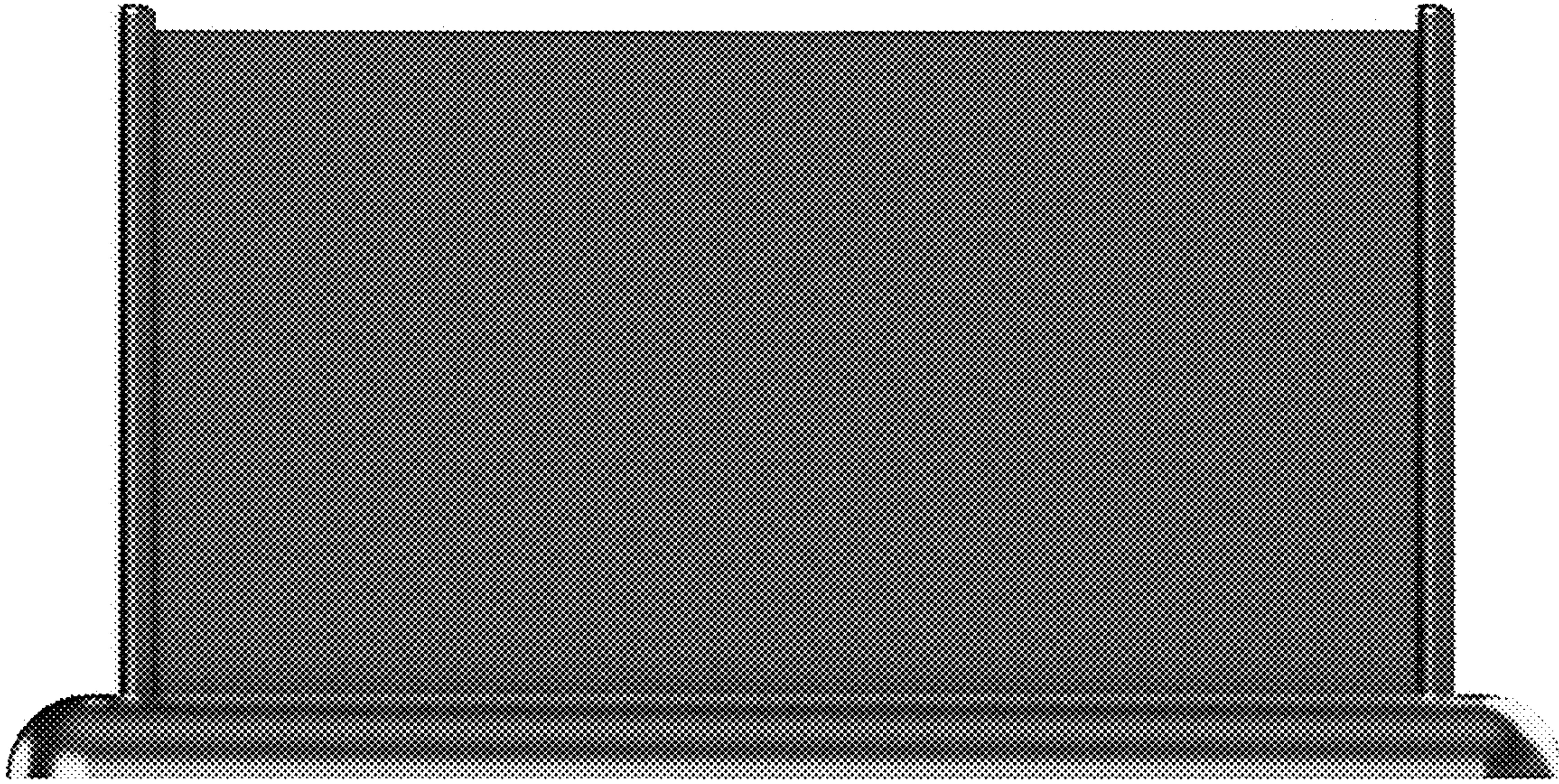


FIG.5

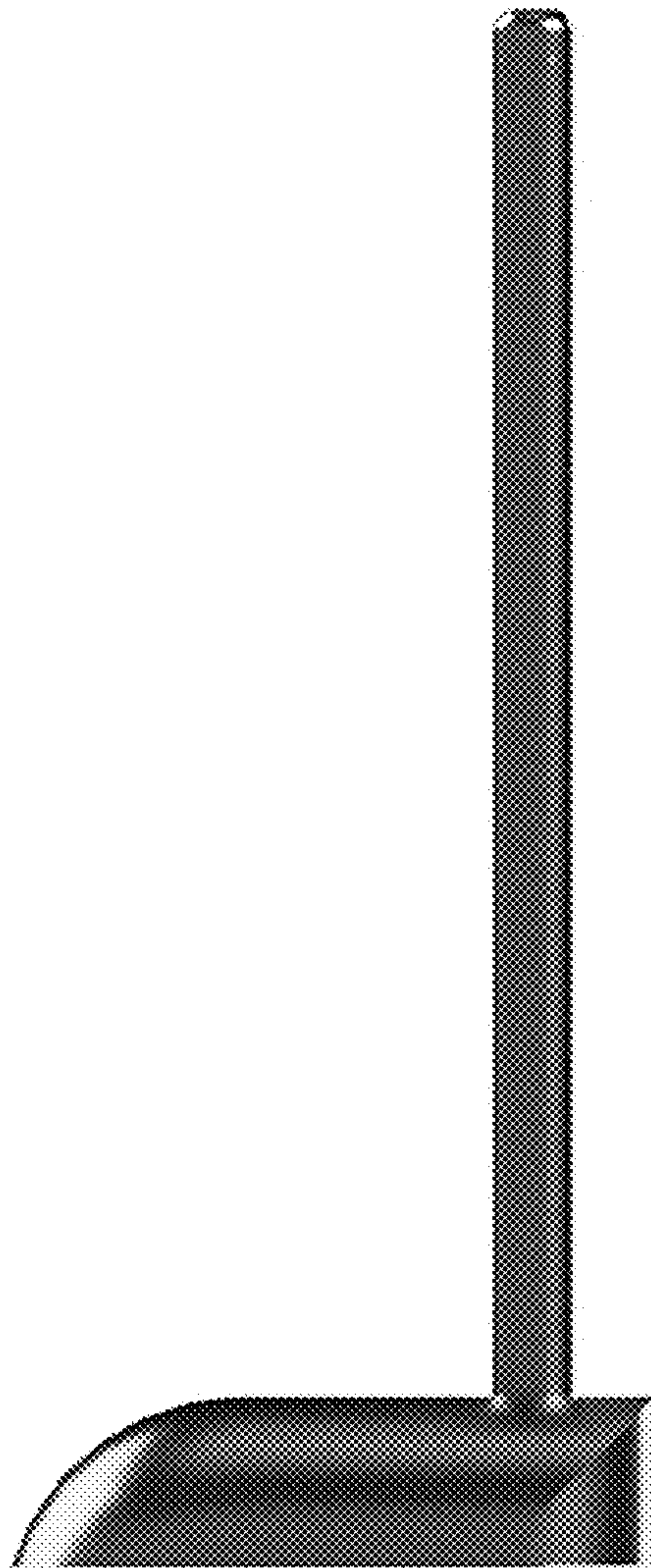


FIG.6

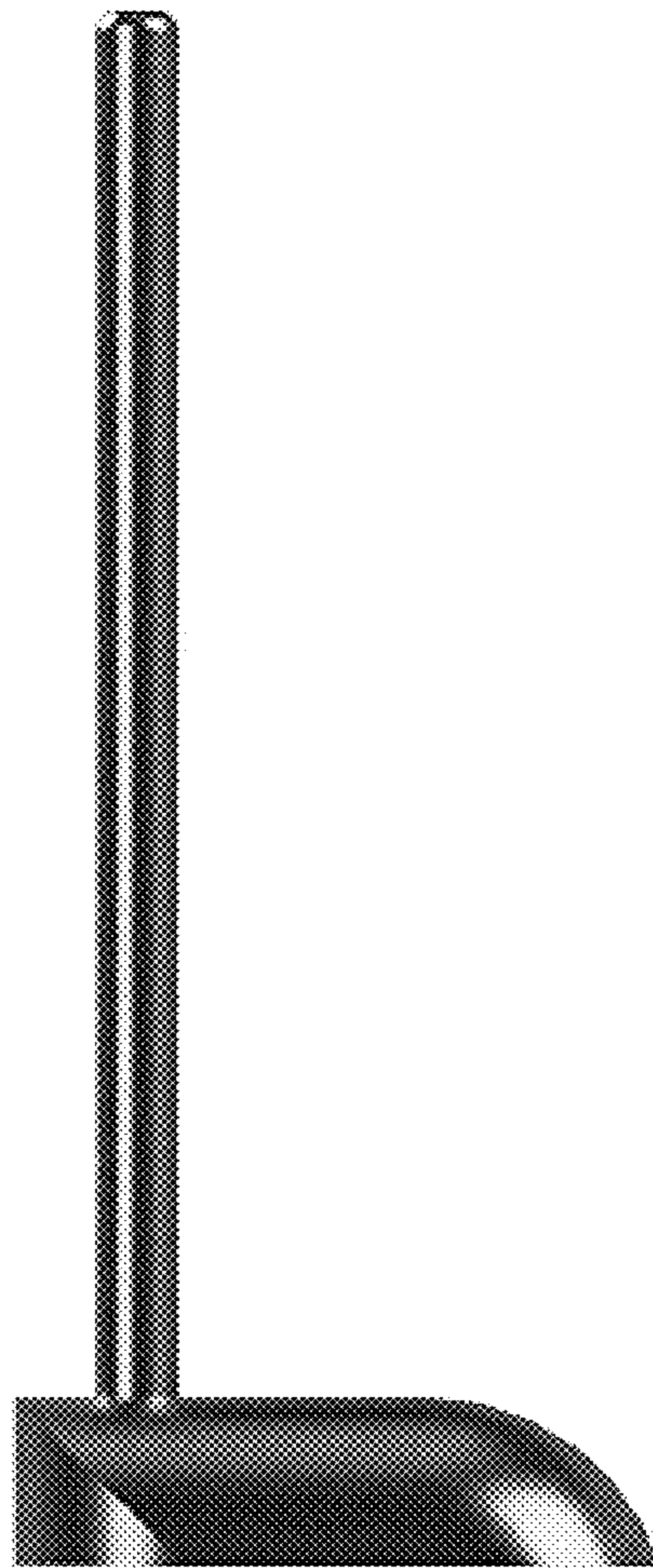


FIG.7

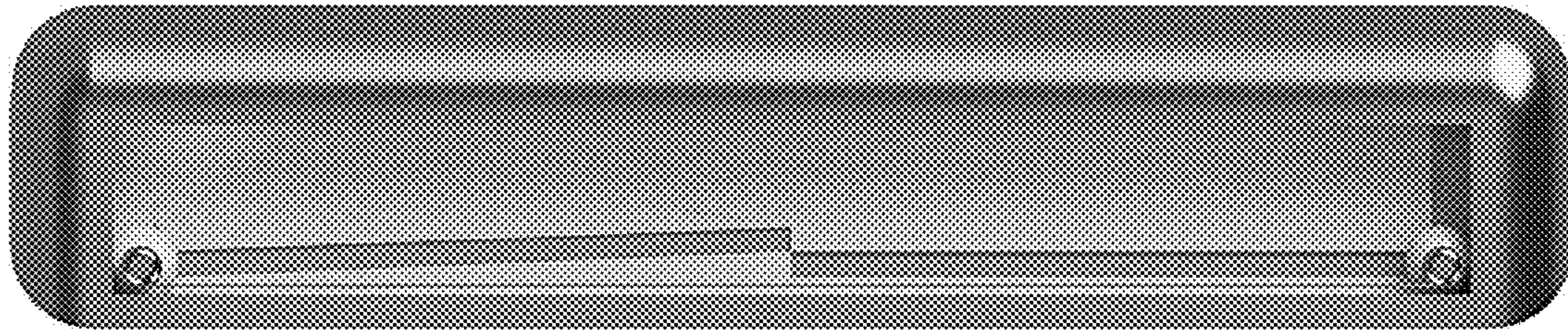


FIG.8

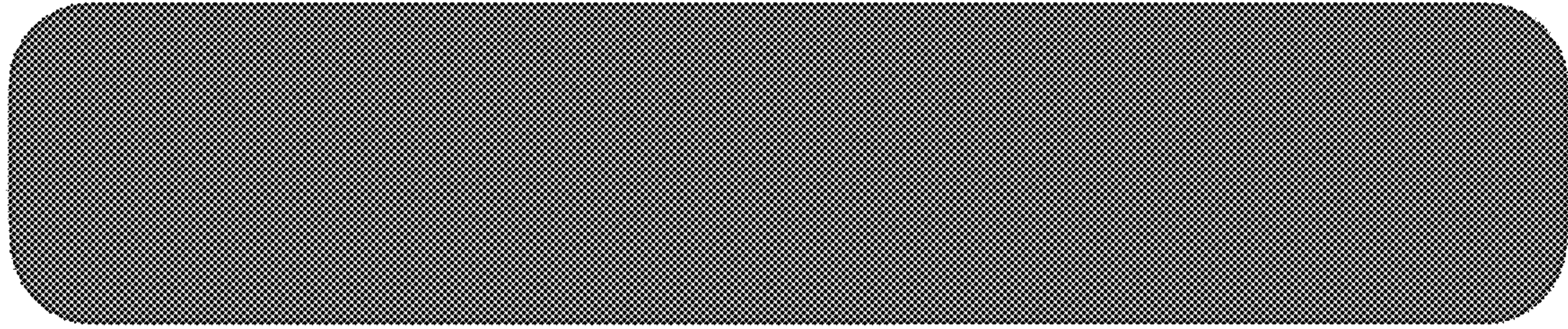


FIG.9

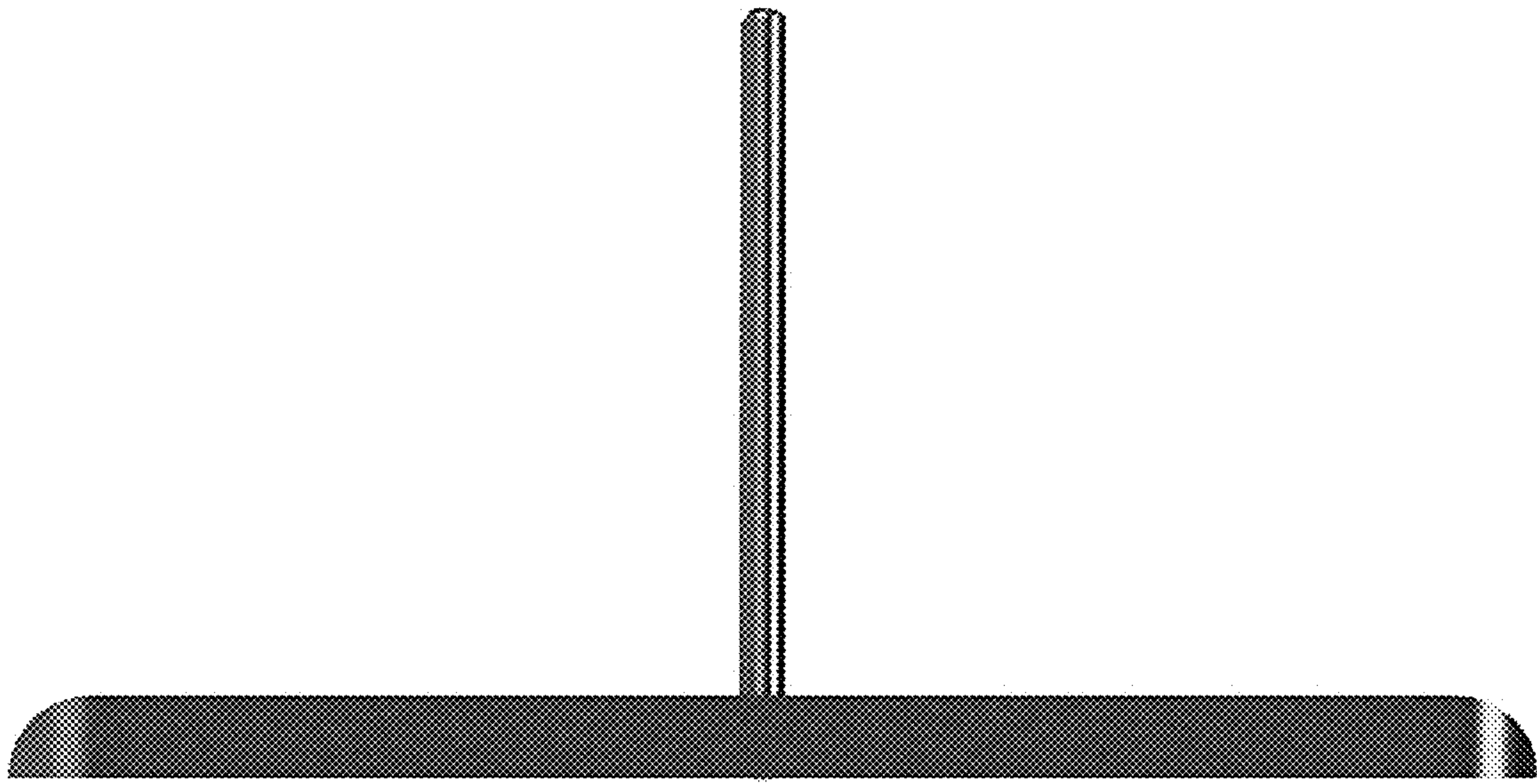


FIG.10



FIG.11

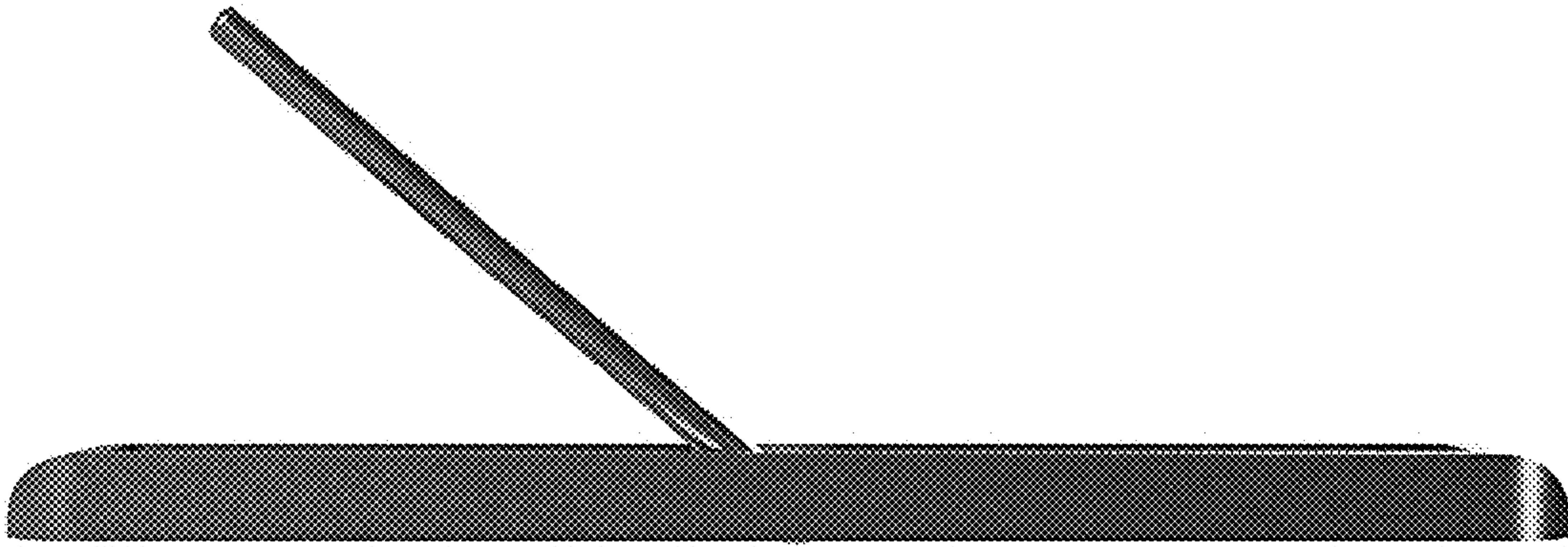


FIG.12

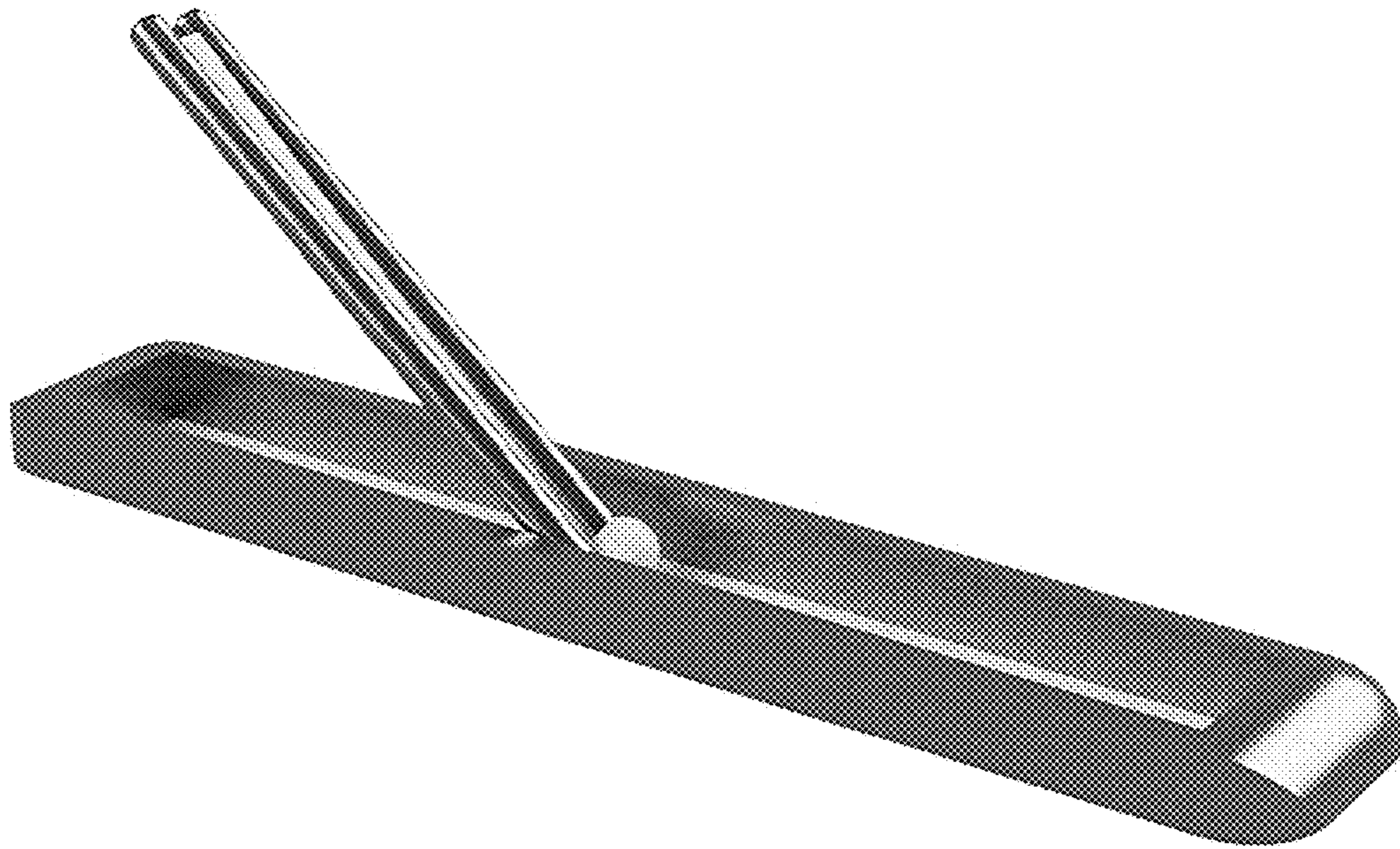


FIG.13

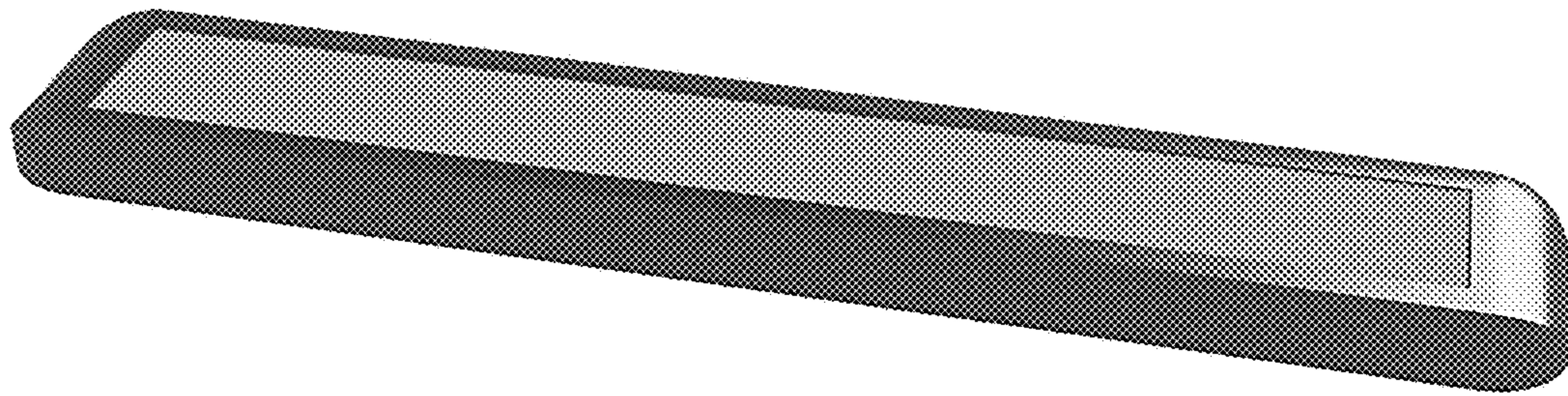


FIG.14

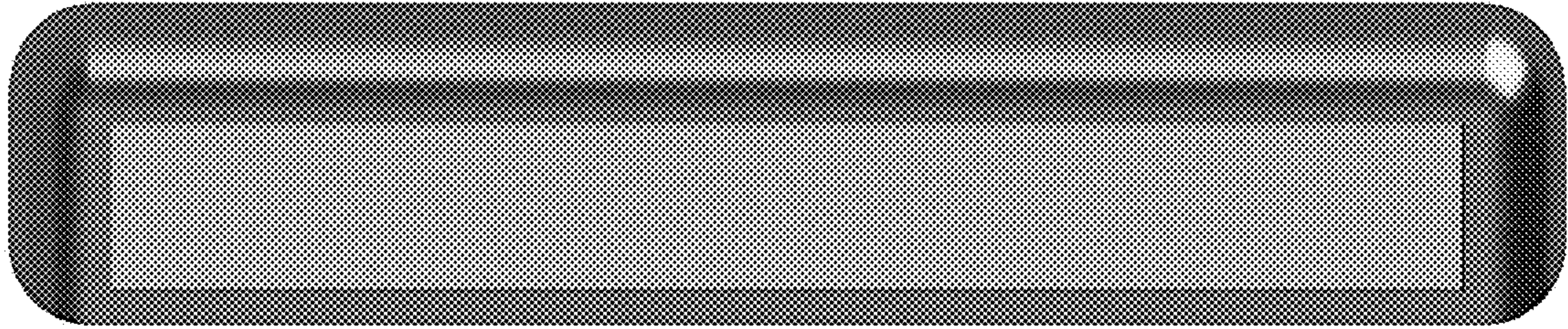


FIG.15

