



US00D843957S

(12) **United States Design Patent** (10) **Patent No.:** **US D843,957 S**
Liu et al. (45) **Date of Patent:** **** Mar. 26, 2019**

(54) **LIGHT EMITTING DIODE PACKAGE**
(71) Applicant: **Genesis Photonics Inc.**, Tainan (TW)
(72) Inventors: **Chuan-Yu Liu**, Tainan (TW);
Xun-Xain Zhan, Tainan (TW);
Chun-Ming Tseng, Tainan (TW);
Yu-Jung Wu, Tainan (TW); **Yu-Feng**
Lin, Tainan (TW)

D749,051 S 2/2016 Clark et al.
D761,213 S * 7/2016 Lee D13/180
D761,214 S * 7/2016 Lee D13/180
D778,851 S 2/2017 Matsumoto et al.
D790,487 S * 6/2017 Lee D13/180
D796,456 S * 9/2017 Lee D13/180
9,953,956 B2 * 4/2018 Lee H01L 27/0248
D825,499 S * 8/2018 Liu D13/180
2012/0007076 A1 * 1/2012 Cho F21V 19/003
257/48
2018/0190881 A1 * 7/2018 Lin H01L 33/505

(73) Assignee: **Genesis Photonics Inc.**, Tainan (TW)
(**) Term: **15 Years**

FOREIGN PATENT DOCUMENTS

(21) Appl. No.: **29/638,942**
(22) Filed: **Mar. 2, 2018**

KR 3004306900001 11/2006
TW D136583 8/2010
TW D140184 4/2011
TW D140210 4/2011
TW D141208 6/2011
TW D141209 6/2011
TW D146480 4/2012
TW D161897 7/2014
TW D173073 1/2016
TW D174129 3/2016
TW D174515 3/2016
TW D176421 6/2016

Related U.S. Application Data

(62) Division of application No. 29/598,778, filed on Mar. 28, 2017, now Pat. No. Des. 825,499.

(30) **Foreign Application Priority Data**

Sep. 29, 2016 (TW) 105305761

(51) **LOC (11) Cl.** **13-03**
(52) **U.S. Cl.**

USPC **D13/180**; D26/1

(58) **Field of Classification Search**

USPC D13/180; D26/1

CPC ... H01L 25/167; H01L 25/0753; H01L 27/15;

H01L 27/156; H01L 31/02; H01L 33/00;

H01L 33/04; H01L 33/08; H01L 33/10;

H01L 33/20; H01L 33/38; H01L 33/42;

H01L 33/48; H01L 33/54; H01L 33/58;

H01L 33/62; H01L 33/483; H01L 33/486;

F21K 9/00; F21K 9/30; F21K 9/54

See application file for complete search history.

(56) **References Cited**

U.S. PATENT DOCUMENTS

D565,515 S 4/2008 Chen
D710,811 S 8/2014 Chen et al.

OTHER PUBLICATIONS

“Notice of Allowance of Taiwan Related Application, Application No. 106301365,” dated Apr. 13, 2018, p. 1-p. 5.

“Notice of allowance of Taiwan Related Application No. 107301103”, dated Aug. 15, 2018, pp. 1-3.

“Notice of allowance of Taiwan Related Application No. 107301123”, dated Jul. 4, 2018, pp. 1-3.

“Notice of allowance of Taiwan Related Application No. 107301106”, dated Jul. 4, 2018, pp. 1-3.

“Notice of allowance of Taiwan Related Application No. 107301105”, dated Jul. 4, 2018, pp. 1-3.

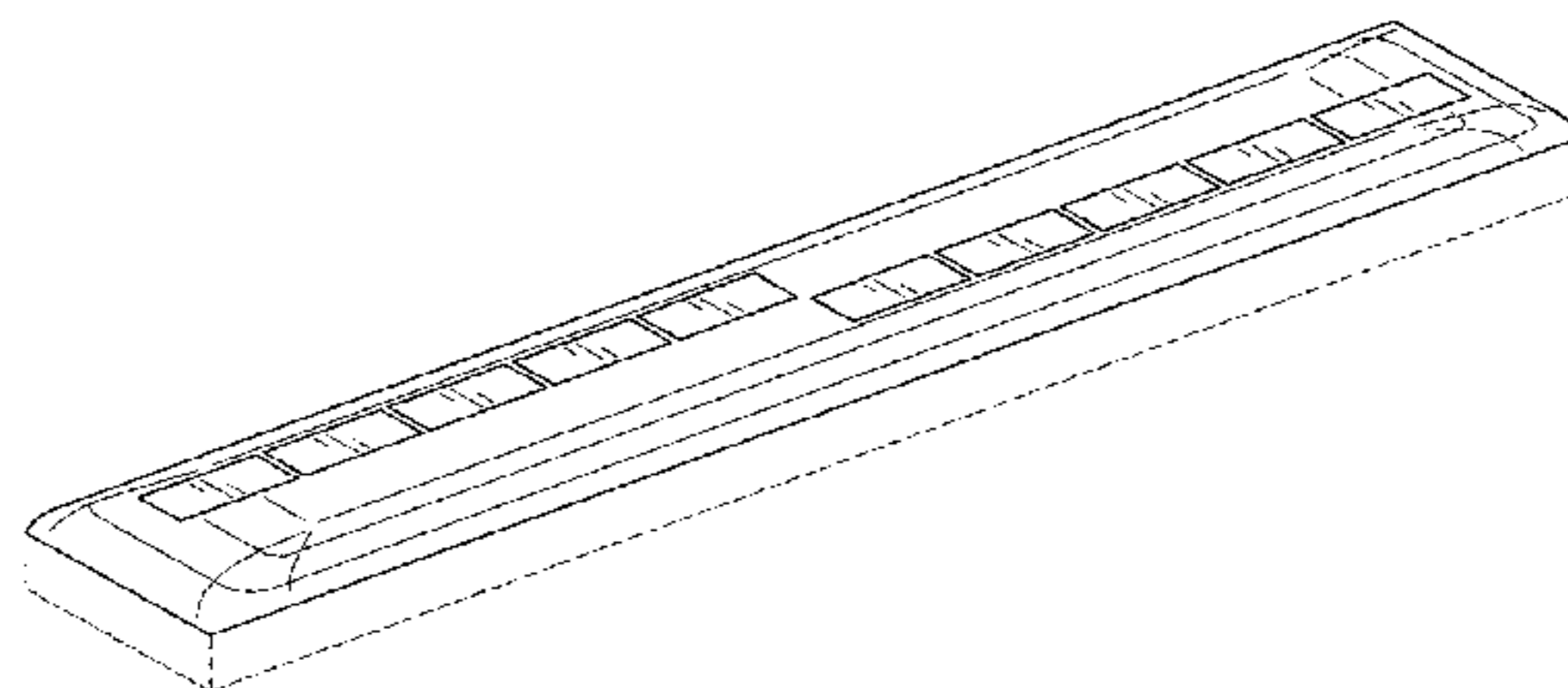
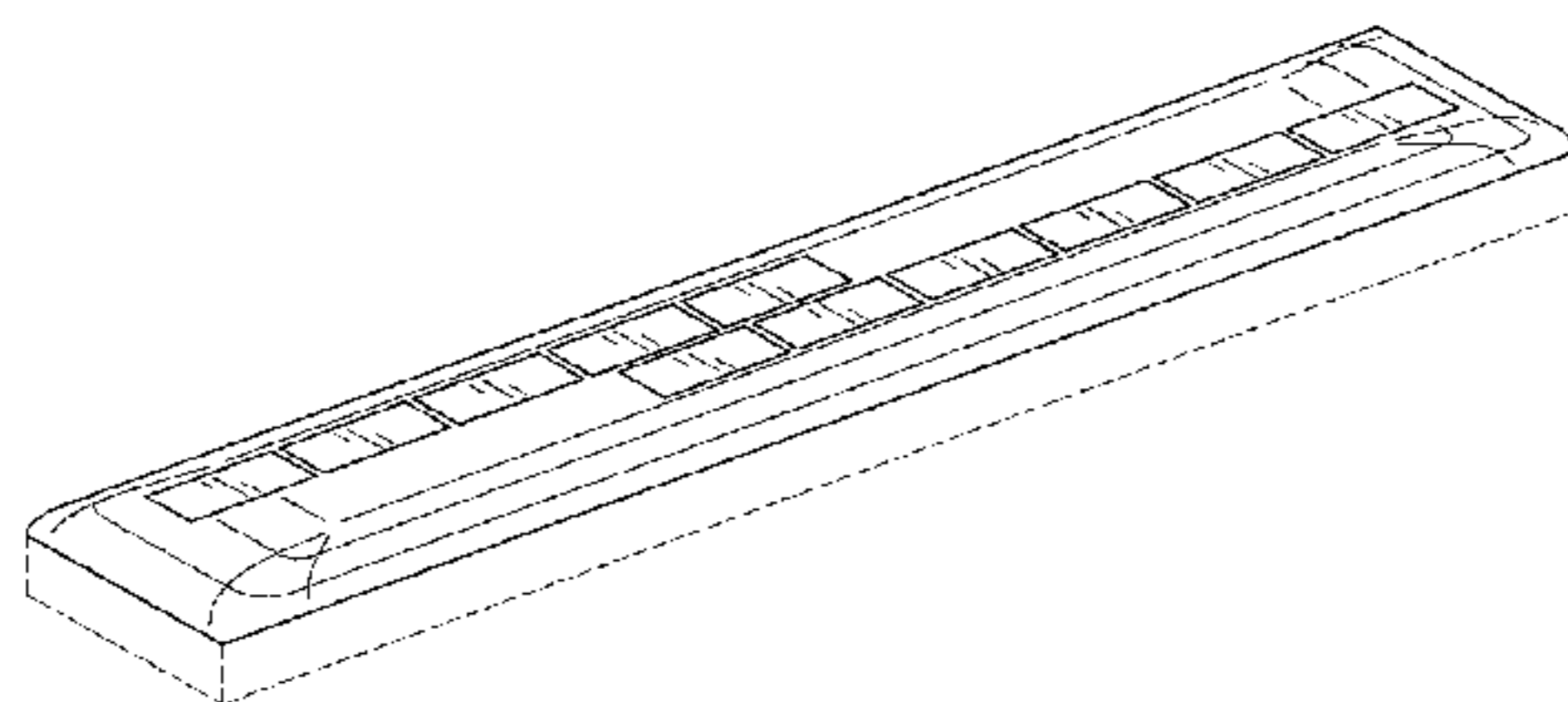
“Notice of allowance of Taiwan Related Application No. 107301104”, dated Jul. 4, 2018, pp. 1-3.

“Notice of allowance of Taiwan Related Application No. 107301110”, dated Jul. 4, 2018, pp. 1-3.

“Notice of allowance of Taiwan Related Application No. 107301109”, dated Jul. 4, 2018, pp. 1-3.

“Notice of allowance of Taiwan Related Application No. 107301122”, dated Jul. 4, 2018, pp. 1-3.

“Office Action of Taiwan Related Application No. 107301121”, dated Jul. 27, 2018, pp. 1-3.



“Office Action of Taiwan Related Application No. 107301114”, dated Jul. 27, 2018, pp. 1-3.
 “Office Action of Taiwan Related Application No. 107301128”, dated Jul. 27, 2018, pp. 1-3.
 “Office Action of Taiwan Related Application No. 107301127”, dated Jul. 27, 2018, pp. 1-3.
 “Office Action of Taiwan Related Application No. 107301108”, dated Aug. 15, 2018, pp. 1-3.
 “Office Action of Taiwan Related Application No. 107301117”, dated Aug. 15, 2018, pp. 1-3.
 “Office Action of Taiwan Related Application No. 107301132”, dated Aug. 15, 2018, pp. 1-3.
 “Office Action of Taiwan Related Application No. 107301126”, dated Aug. 15, 2018, pp. 1-3.
 “Office Action of Taiwan Related Application No. 107301113”, dated Aug. 15, 2018, pp. 1-3.
 “Office Action of Taiwan Related Application No. 107301112”, dated Aug. 15, 2018, pp. 1-3.
 “Office Action of Taiwan Related Application No. 107301111”, dated Aug. 15, 2018, pp. 1-3.
 “Office Action of Taiwan Related Application No. 107301133”, dated Aug. 15, 2018, pp. 1-3.
 “Office Action of Taiwan Related Application No. 107301134”, dated Aug. 15, 2018, pp. 1-3.
 “Office Action of Taiwan Related Application No. 107301135”, dated Aug. 15, 2018, pp. 1-3.
 “Office Action of Taiwan Related Application No. 107301136”, dated Aug. 15, 2018, pp. 1-3.
 “Office Action of Taiwan Related Application No. 107301137”, dated Aug. 15, 2018, pp. 1-3.
 “Office Action of Taiwan Related Application No. 107301125”, dated Aug. 15, 2018, pp. 1-3.
 “Office Action of Taiwan Related Application No. 107301124”, dated Aug. 15, 2018, pp. 1-3.

* cited by examiner

Primary Examiner — Selina Sikder
 (74) *Attorney, Agent, or Firm* — JCIPRNET

(57) **CLAIM**

The ornamental design for a light emitting diode package, as shown and described.

DESCRIPTION

FIG. 1 is a perspective view of a first embodiment of the light emitting diode package showing our new design;
 FIG. 2 is a front view of the light emitting diode package of FIG. 1;
 FIG. 3 is a rear view of the light emitting diode package of FIG. 1;
 FIG. 4 is a left view of the light emitting diode package of FIG. 1;
 FIG. 5 is a right view of the light emitting diode package of FIG. 1;
 FIG. 6 is a top view of the light emitting diode package of FIG. 1;
 FIG. 7 is a bottom view of the light emitting diode package of FIG. 1;
 FIG. 8 is a perspective view of a second embodiment of the light emitting diode package showing our new design;
 FIG. 9 is a front view of the light emitting diode package of FIG. 8;
 FIG. 10 is a rear view of the light emitting diode package of FIG. 8;
 FIG. 11 is a left view of the light emitting diode package of FIG. 8;

FIG. 12 is a right view of the light emitting diode package of FIG. 8;
 FIG. 13 is a top view of the light emitting diode package of FIG. 8;
 FIG. 14 is a bottom view of the light emitting diode package of FIG. 8;
 FIG. 15 is a perspective view of a third embodiment of the light emitting diode package showing our new design;
 FIG. 16 is a front view of the light emitting diode package of FIG. 15;
 FIG. 17 is a rear view of the light emitting diode package of FIG. 15;
 FIG. 18 is a left view of the light emitting diode package of FIG. 15;
 FIG. 19 is a right view of the light emitting diode package of FIG. 15;
 FIG. 20 is a top view of the light emitting diode package of FIG. 15;
 FIG. 21 is a bottom view of the light emitting diode package of FIG. 15;
 FIG. 22 is a perspective view of a fourth embodiment of the light emitting diode package showing our new design;
 FIG. 23 is a front view of the light emitting diode package of FIG. 22;
 FIG. 24 is a rear view of the light emitting diode package of FIG. 22;
 FIG. 25 is a left view of the light emitting diode package of FIG. 22;
 FIG. 26 is a right view of the light emitting diode package of FIG. 22;
 FIG. 27 is a top view of the light emitting diode package of FIG. 22;
 FIG. 28 is a bottom view of the light emitting diode package of FIG. 22;
 FIG. 29 is a perspective view of a fifth embodiment of the light emitting diode package showing our new design;
 FIG. 30 is a front view of the light emitting diode package of FIG. 29;
 FIG. 31 is a rear view of the light emitting diode package of FIG. 29;
 FIG. 32 is a left view of the light emitting diode package of FIG. 29;
 FIG. 33 is a right view of the light emitting diode package of FIG. 29;
 FIG. 34 is a top view of the light emitting diode package of FIG. 29;
 FIG. 35 is a bottom view of the light emitting diode package of FIG. 29;
 FIG. 36 is a perspective view of a sixth embodiment of the light emitting diode package showing our new design;
 FIG. 37 is a front view of the light emitting diode package of FIG. 36;
 FIG. 38 is a rear view of the light emitting diode package of FIG. 36;
 FIG. 39 is a left view of the light emitting diode package of FIG. 36;
 FIG. 40 is a right view of the light emitting diode package of FIG. 36;
 FIG. 41 is a top view of the light emitting diode package of FIG. 36; and,
 FIG. 42 is a bottom view of the light emitting diode package of FIG. 36.

The broken lines in the drawings are included for the purpose of illustration and form no part of the claimed design.

1 Claim, 24 Drawing Sheets

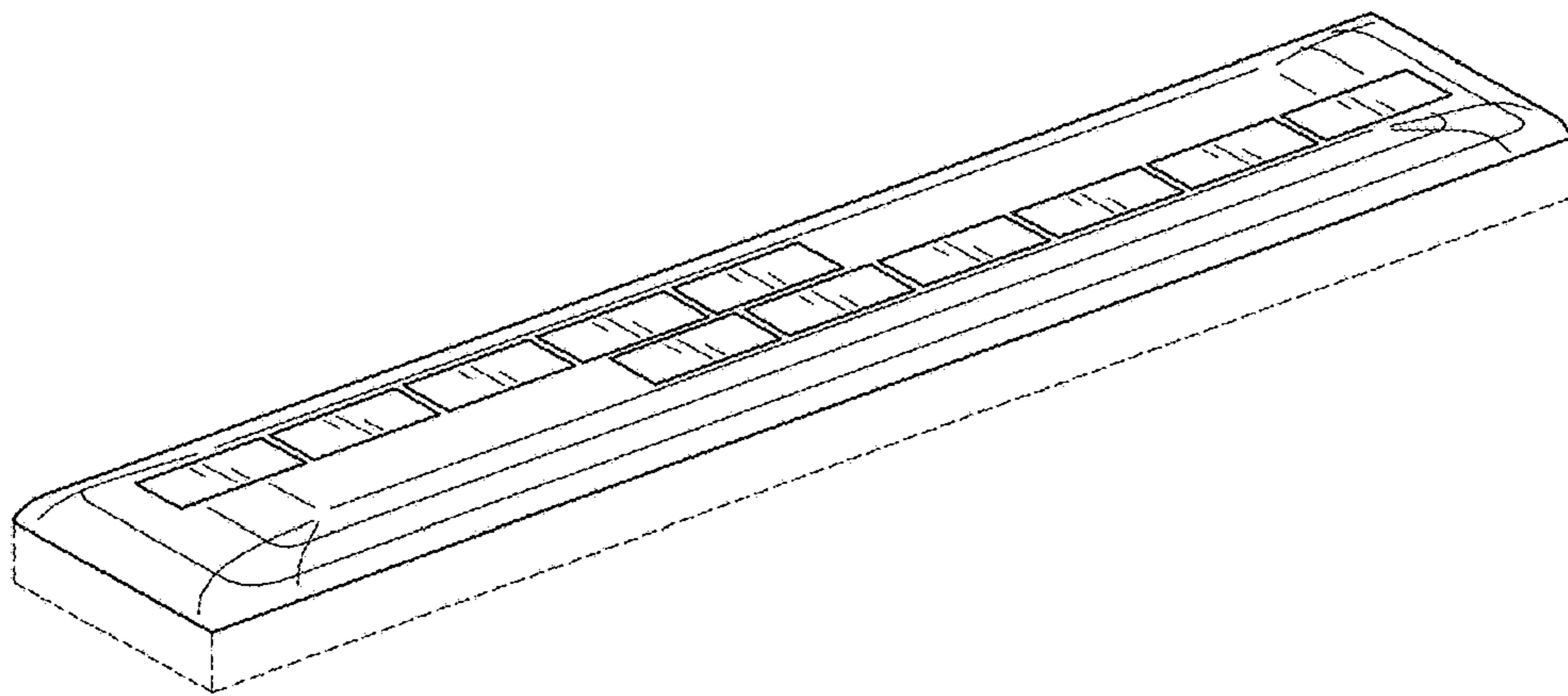


FIG. 1

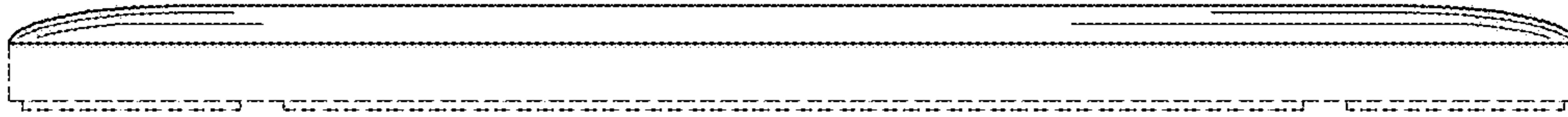


FIG. 2

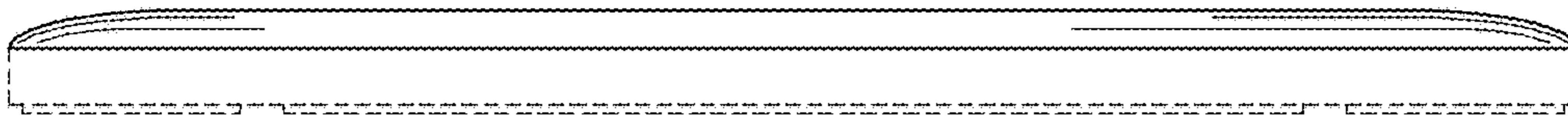


FIG. 3

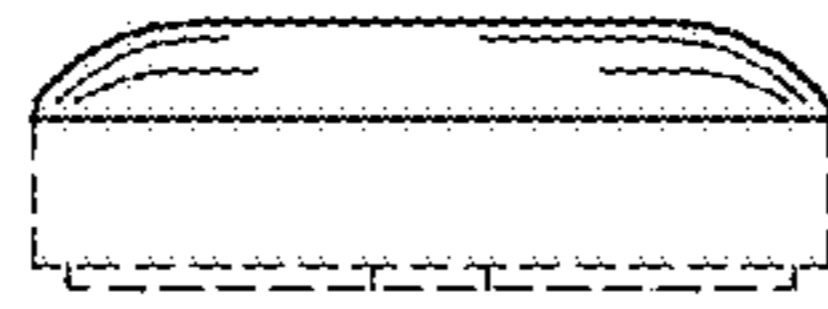


FIG. 4

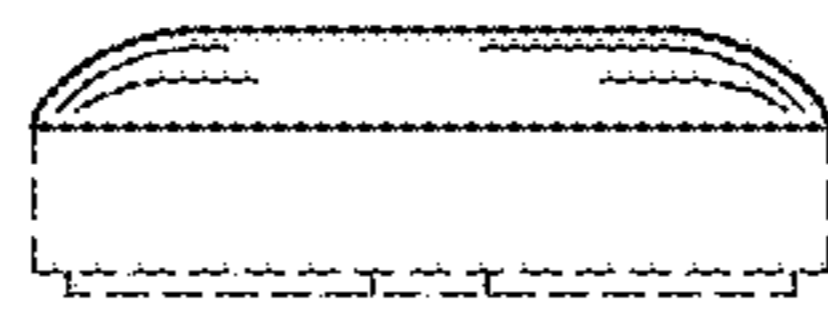


FIG. 5

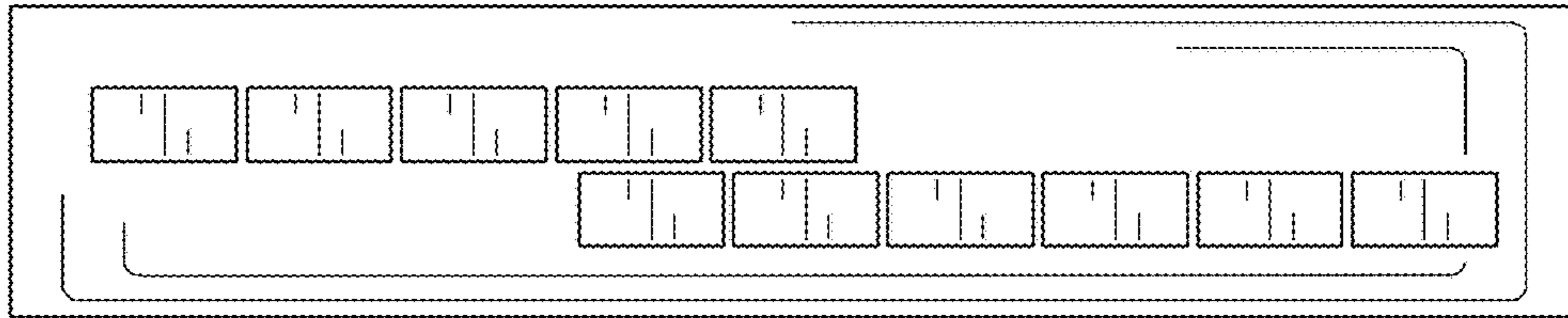


FIG. 6



FIG. 7

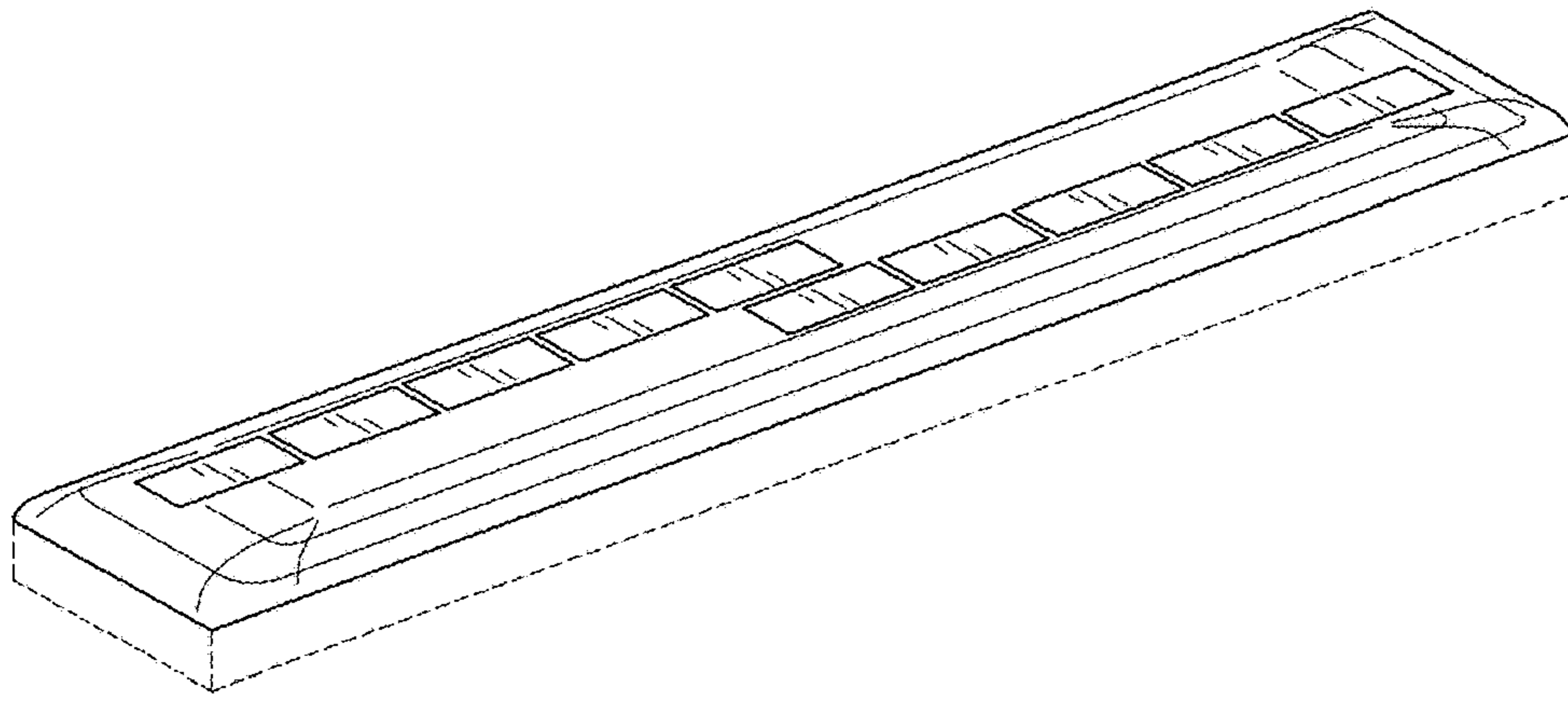


FIG. 8

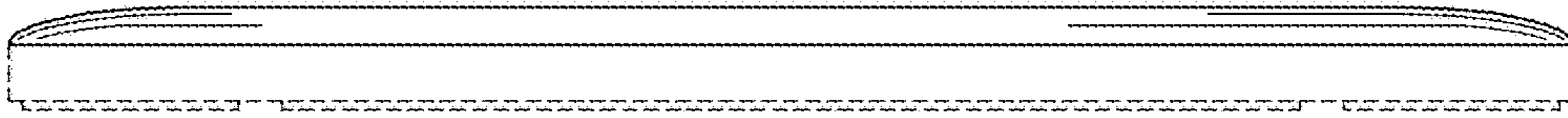


FIG. 9

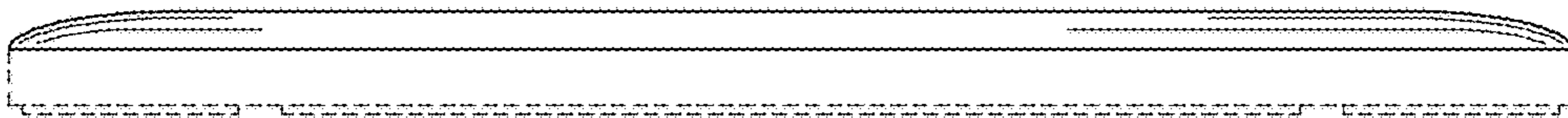


FIG. 10

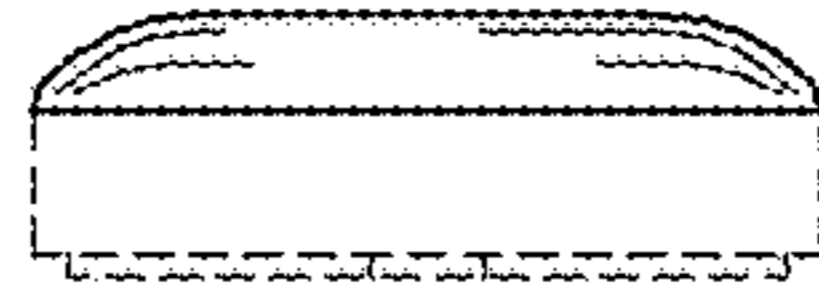


FIG. 11

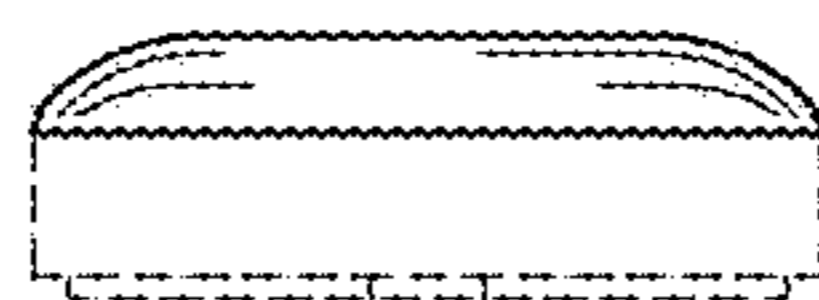


FIG. 12

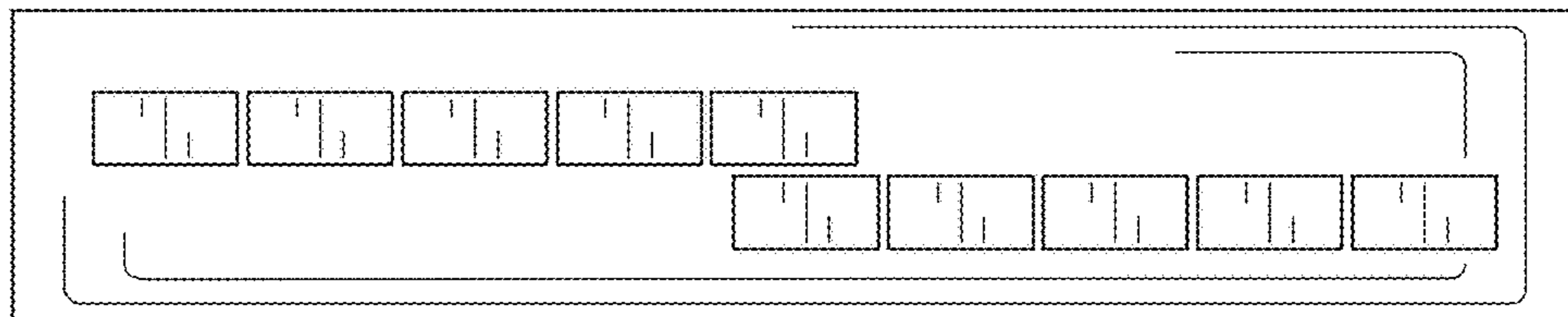


FIG. 13

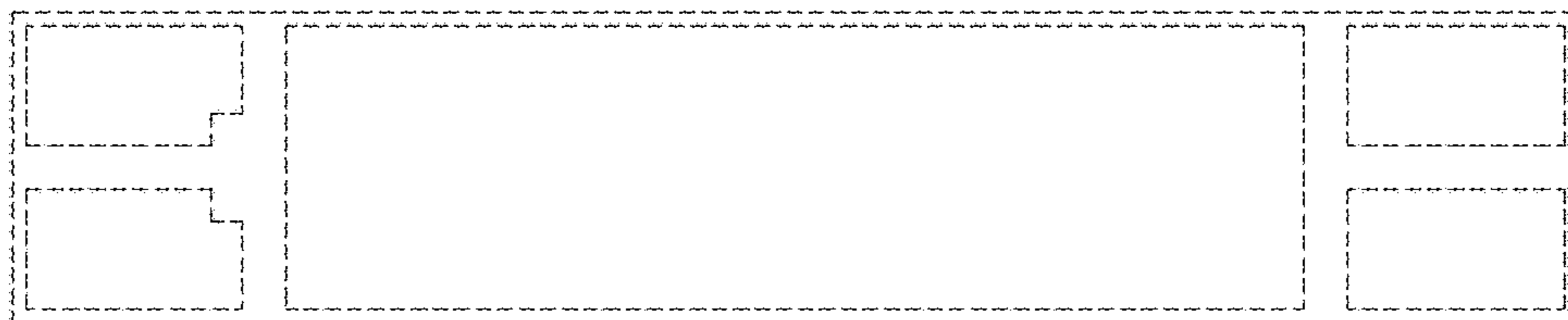


FIG. 14

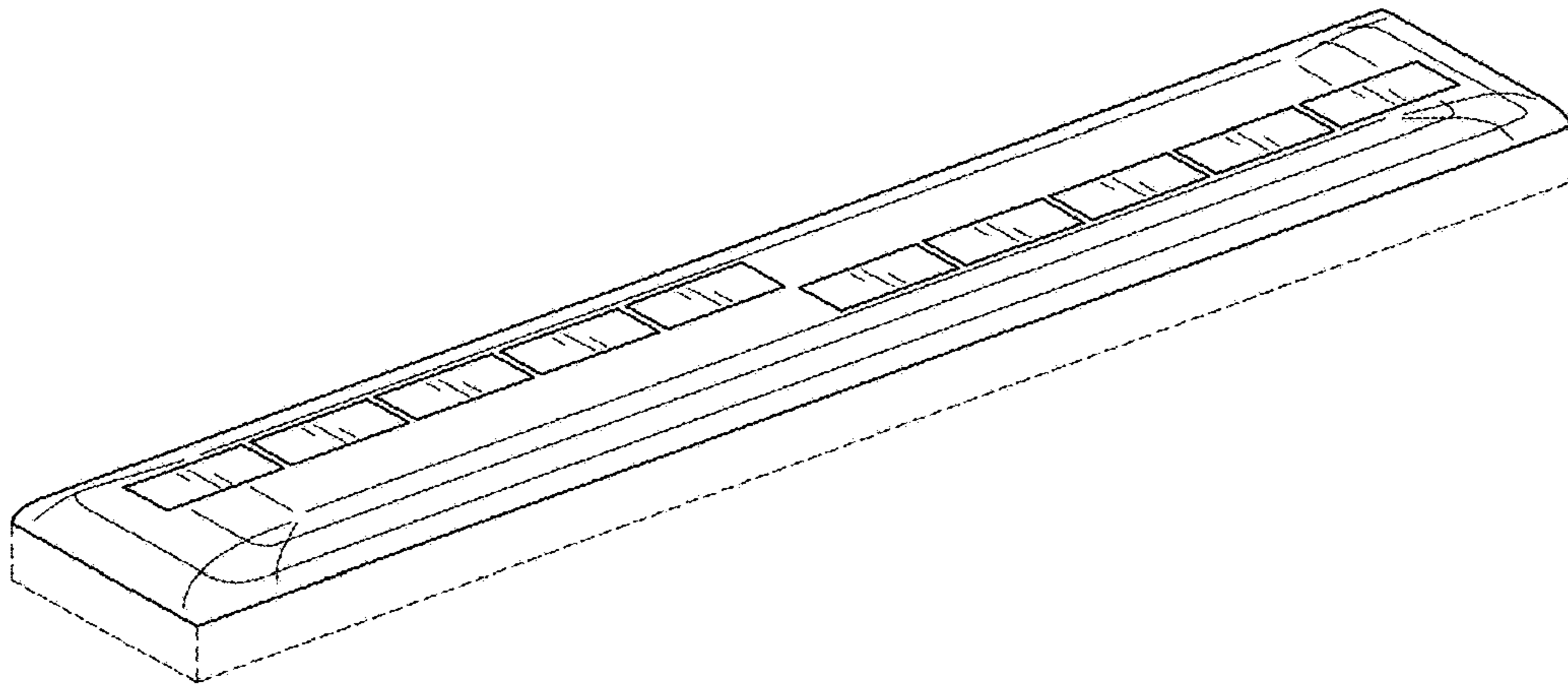


FIG. 15

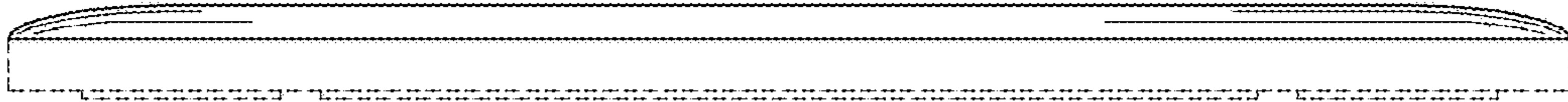


FIG. 16

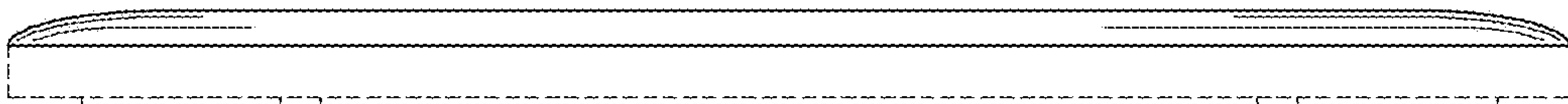


FIG. 17

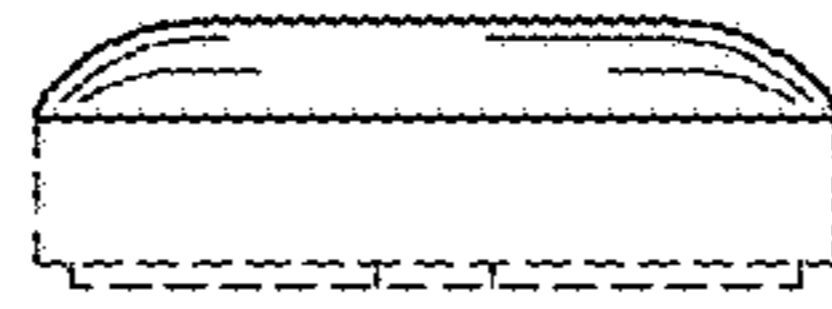


FIG. 18

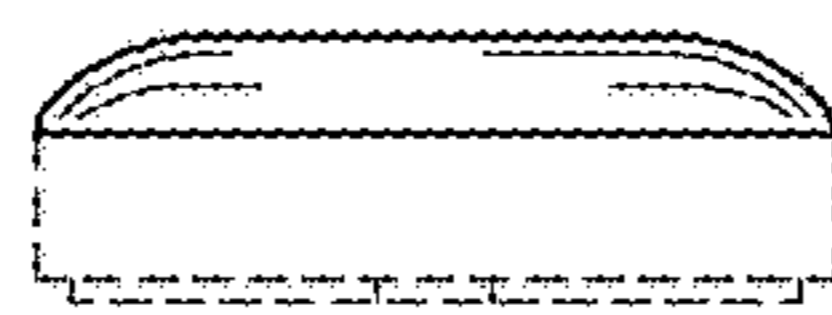


FIG. 19

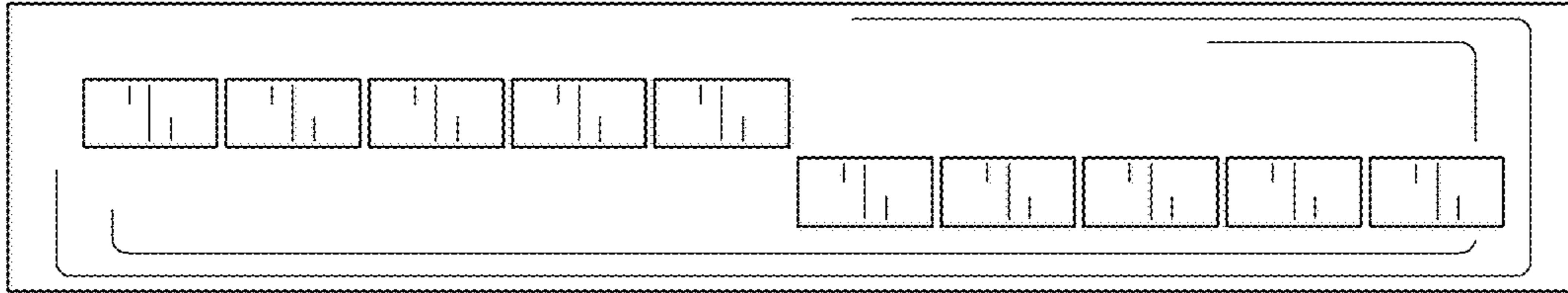


FIG. 20

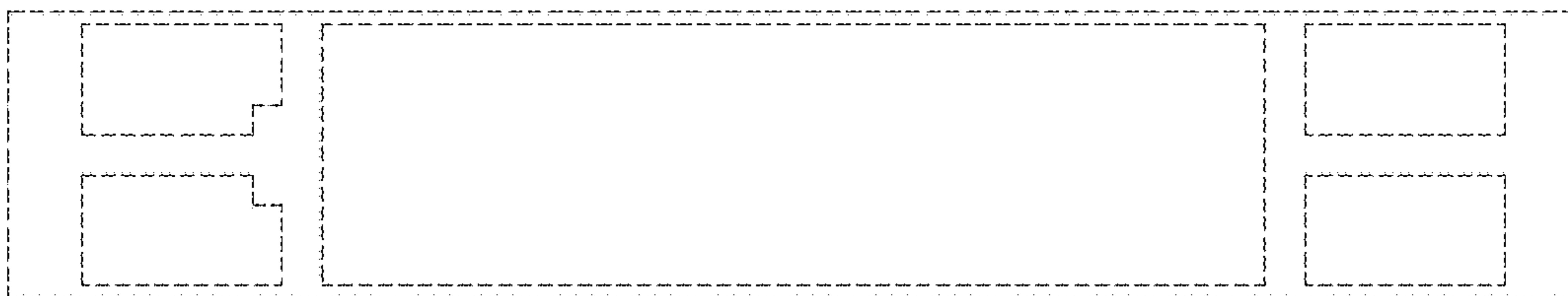


FIG. 21

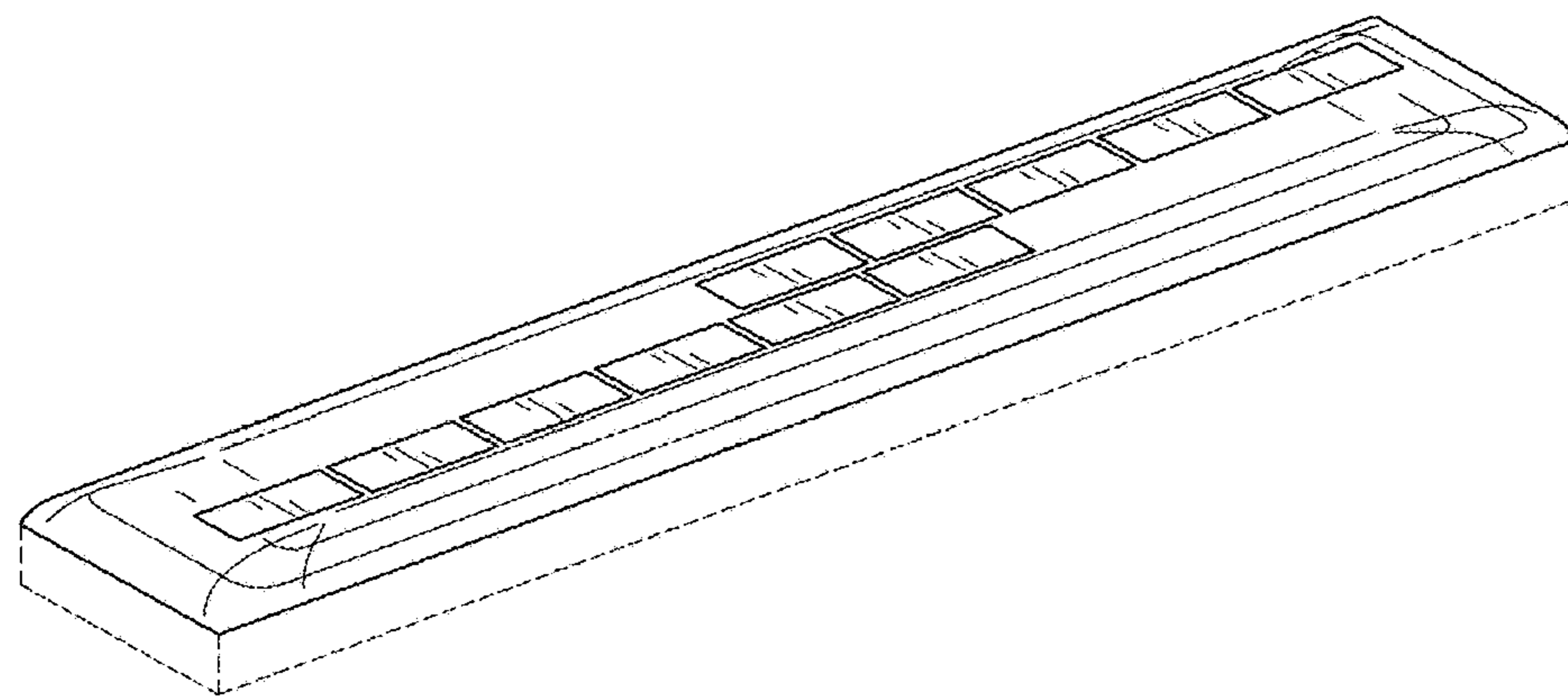


FIG. 22

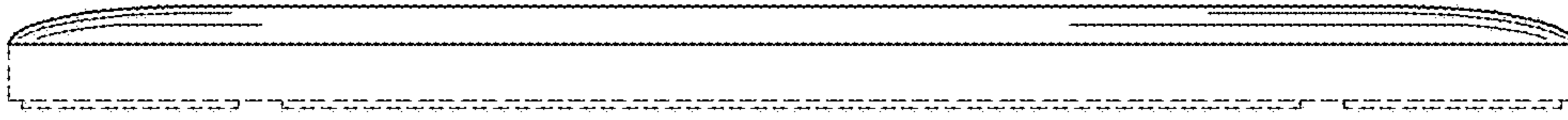


FIG. 23

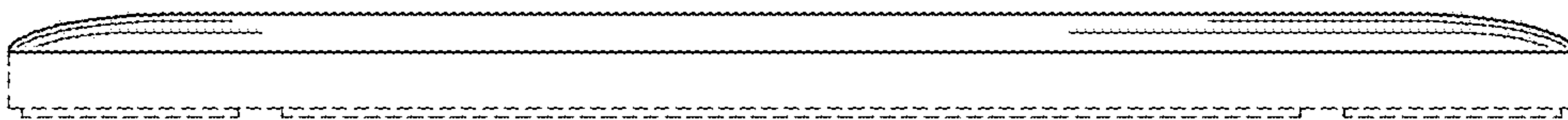


FIG. 24

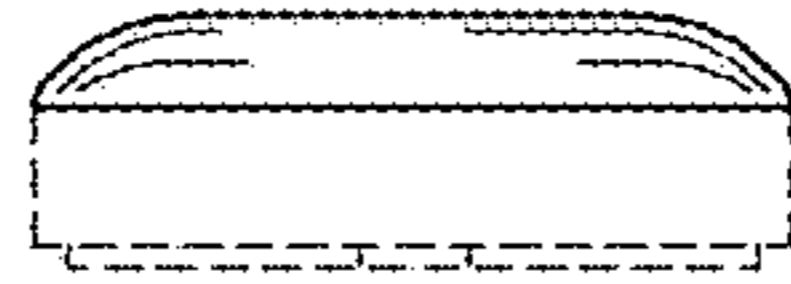


FIG. 25

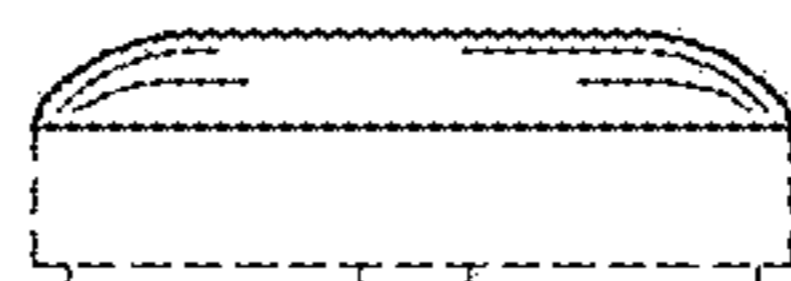


FIG. 26

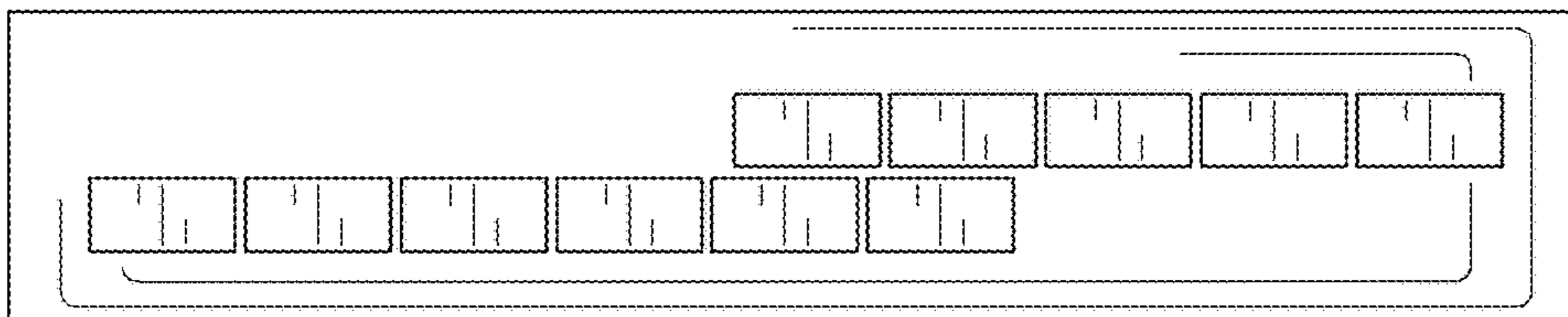


FIG. 27

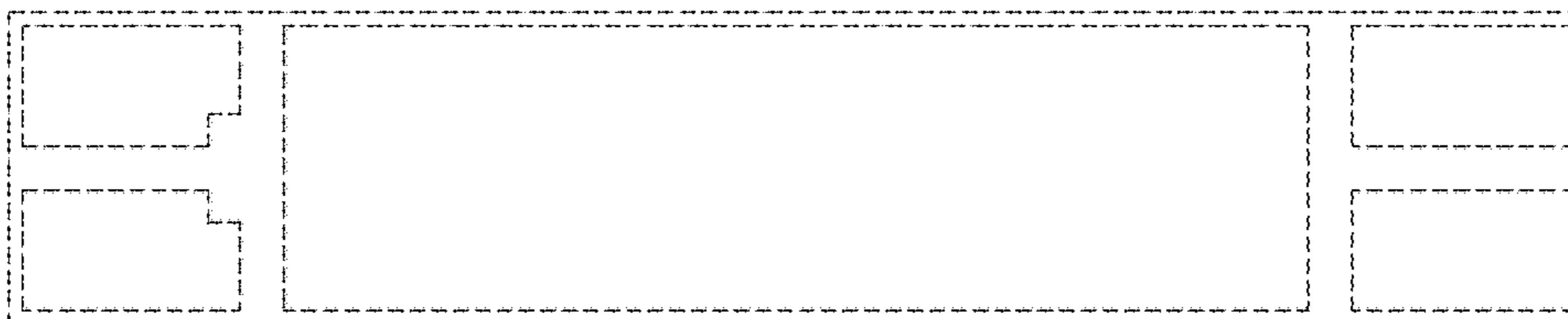


FIG. 28

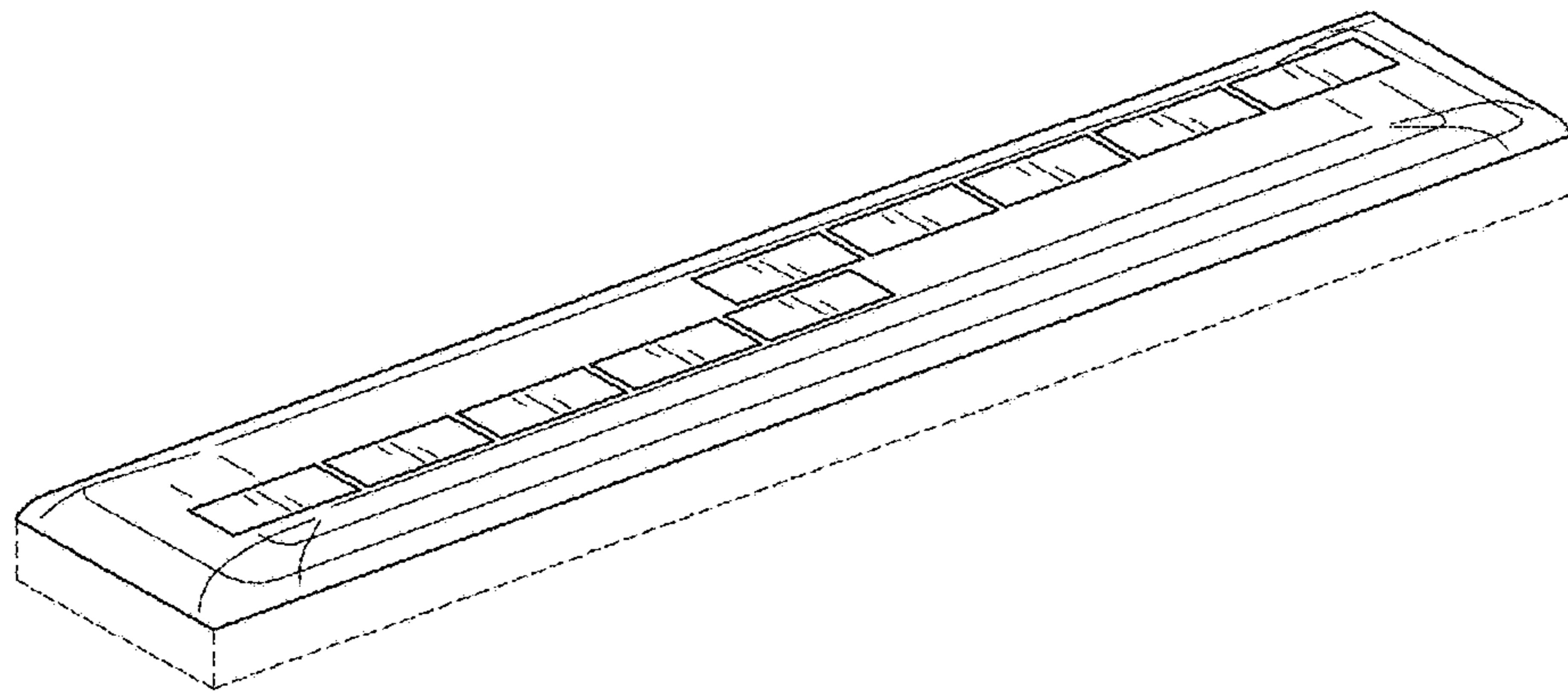


FIG. 29

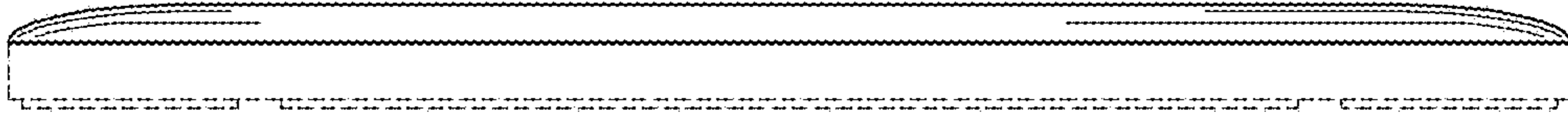


FIG. 30

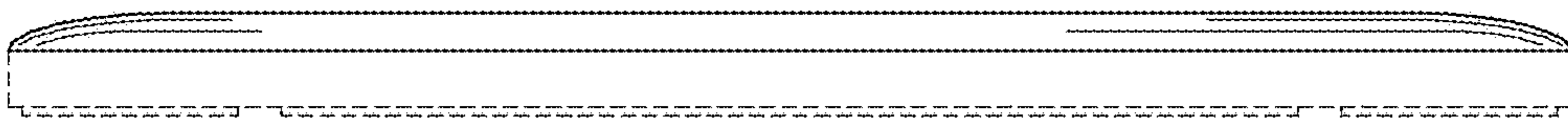


FIG. 31

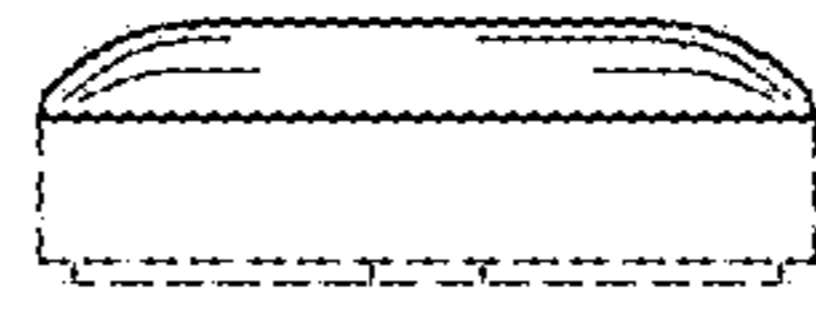


FIG. 32

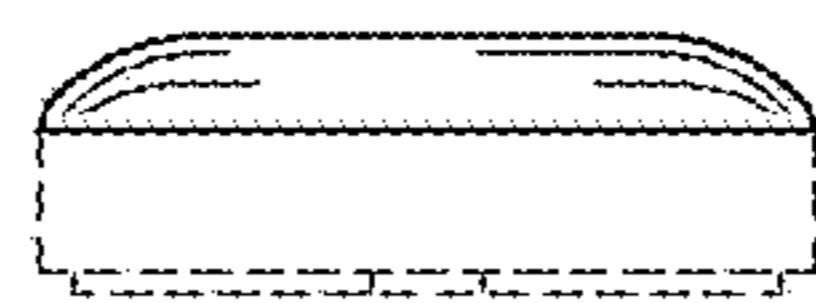


FIG. 33

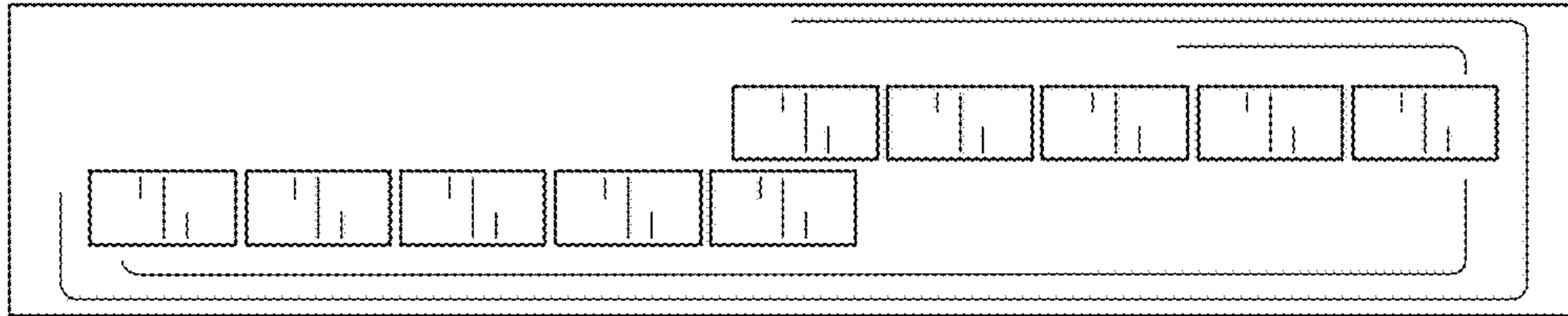


FIG. 34

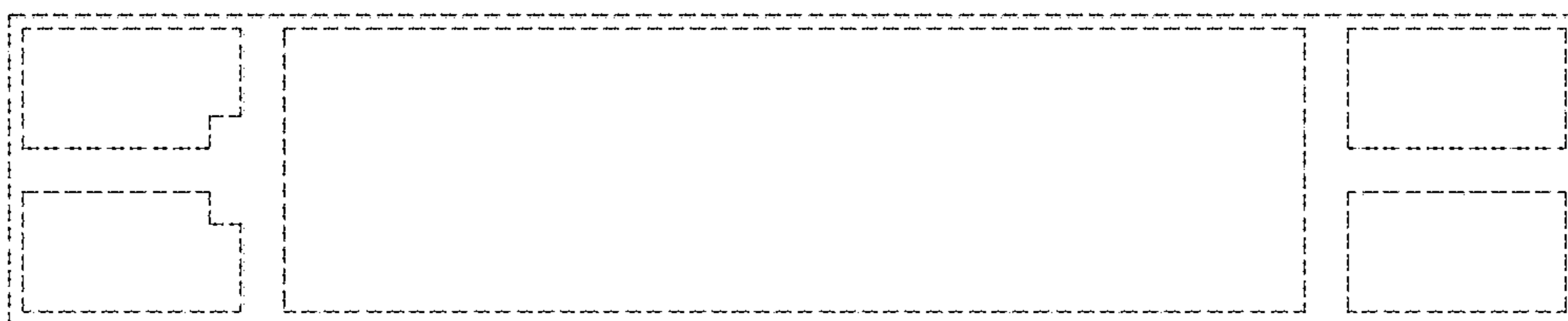


FIG. 35

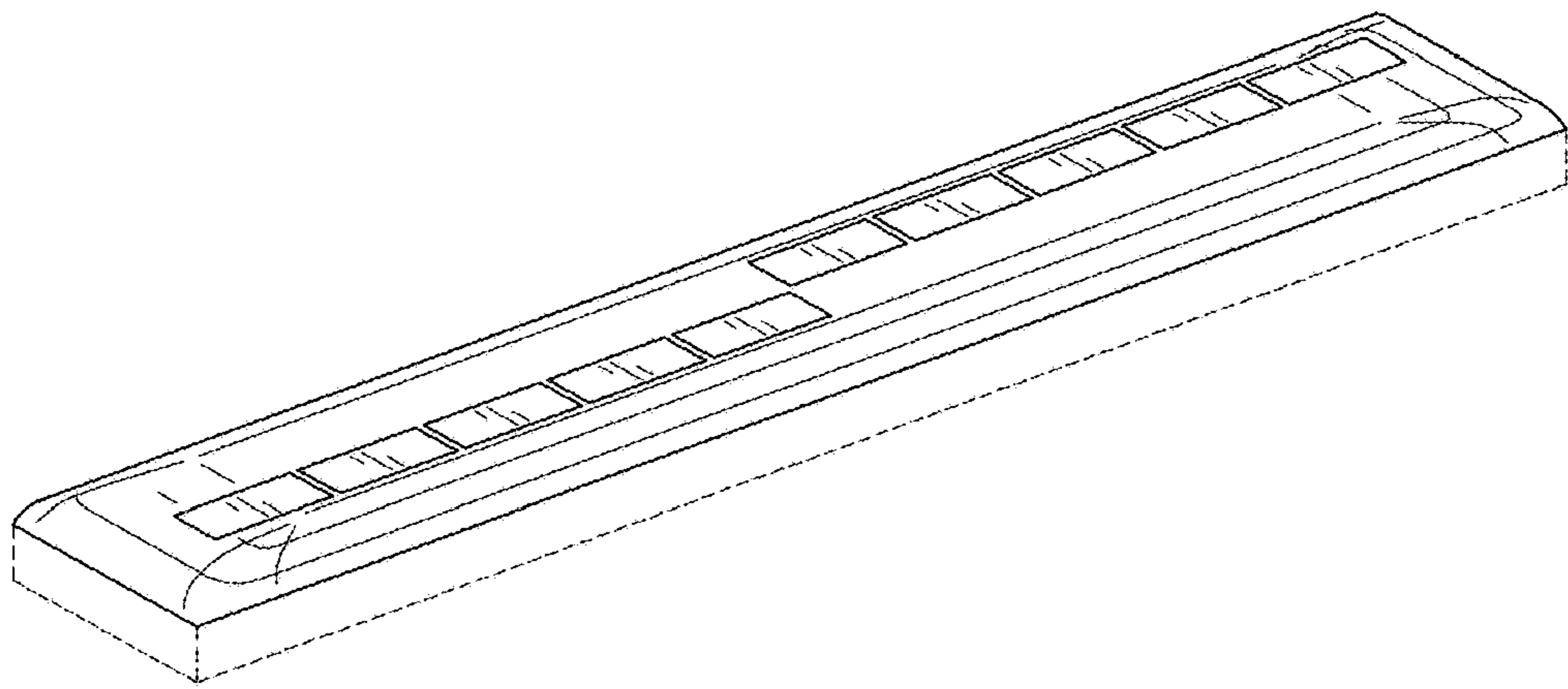


FIG. 36

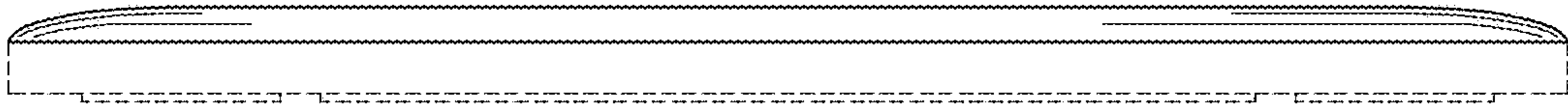


FIG. 37

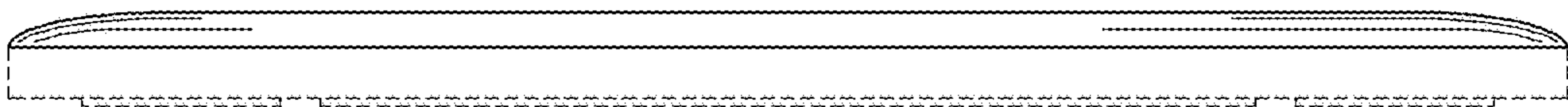


FIG. 38

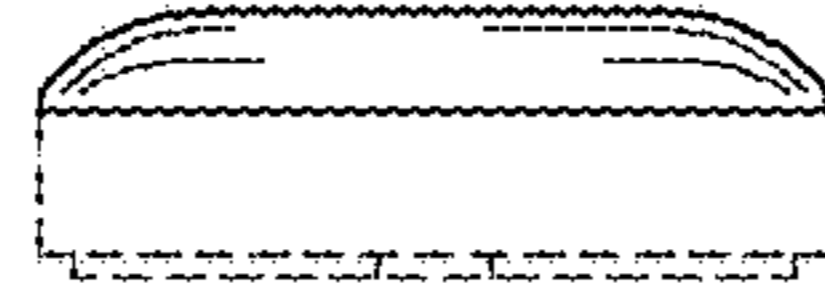


FIG. 39

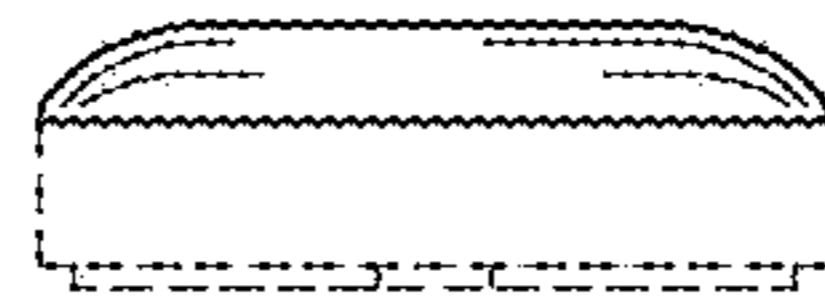


FIG. 40

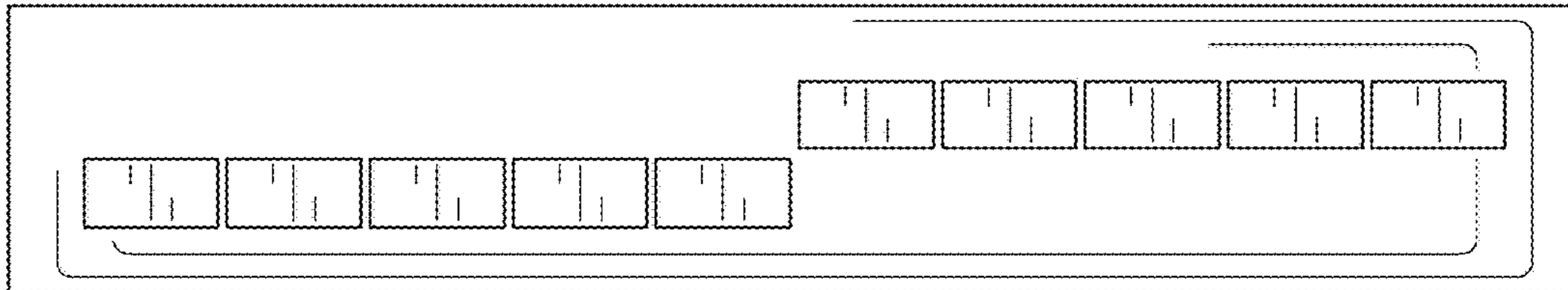


FIG. 41

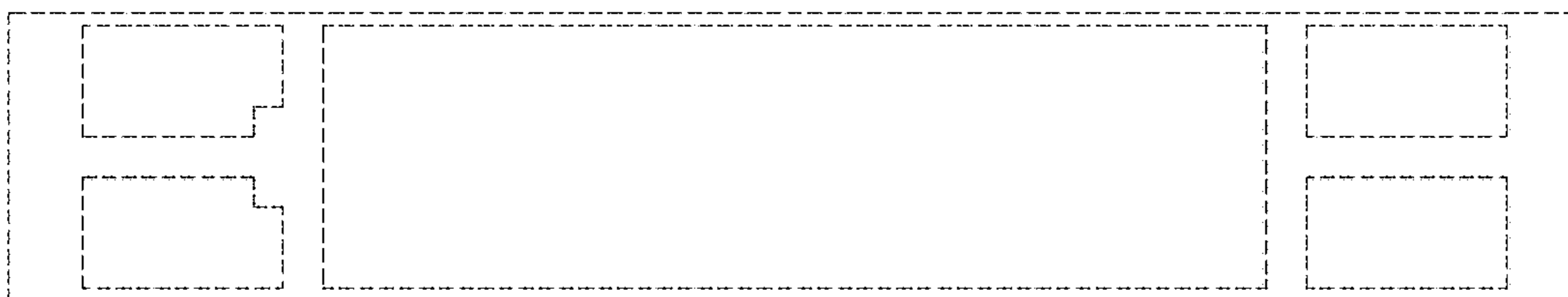


FIG. 42