



US00D843956S

(12) **United States Design Patent**  
**Enger**

(10) **Patent No.:** **US D843,956 S**  
(45) **Date of Patent:** **\*\* Mar. 26, 2019**

- (54) **TERMINAL BLOCK LOCK OUT DEVICE**
- (71) Applicant: **Brady Worldwide, Inc.**, Milwaukee, WI (US)
- (72) Inventor: **Andrew N. Enger**, Muskego, WI (US)
- (73) Assignee: **Brady Worldwide, Inc.**, Milwaukee, WI (US)
- (\*\*) Term: **15 Years**
- (21) Appl. No.: **29/616,427**
- (22) Filed: **Sep. 6, 2017**
- (51) **LOC (11) Cl.** ..... **13-03**
- (52) **U.S. Cl.**  
USPC ..... **D13/178**
- (58) **Field of Classification Search**  
USPC ..... D13/161, 173, 178; D8/330, 331, 394; 439/135  
CPC ..... H01H 9/00; H01H 9/283; H01H 9/286; H01H 85/02; H01H 85/0208; H01H 85/24; H01R 13/44; H01R 13/443; H01R 13/465  
See application file for complete search history.

(56) **References Cited**

**U.S. PATENT DOCUMENTS**

- D365,547 S \* 12/1995 Steinwachs ..... D13/178
- 5,751,208 A \* 5/1998 Martinez ..... H01H 85/0208 337/194
- 6,469,264 B2 \* 10/2002 Benda ..... H01H 9/282 200/43.14
- 6,630,626 B2 \* 10/2003 Johnson ..... H01H 85/0208 174/138 F
- D564,337 S \* 3/2008 Brojanac ..... D13/178
- D564,859 S \* 3/2008 Brojanac ..... D13/178
- 8,629,359 B2 \* 1/2014 Hackett ..... H01H 9/283 200/43.14
- D774,870 S \* 12/2016 Nasr ..... D8/330
- D808,345 S \* 1/2018 Benda ..... D13/178

- D808,347 S \* 1/2018 Benda ..... D13/178
- 10,023,130 B2 \* 7/2018 Kurashina ..... B60R 11/06
- 2006/0266631 A1 \* 11/2006 Kalous ..... H01H 9/283 200/43.14
- 2012/0205224 A1 \* 8/2012 Hackett ..... H01H 9/283 200/43.14
- 2014/0102865 A1 \* 4/2014 Obenshain ..... H01H 9/20 200/43.11
- 2014/0220802 A1 \* 8/2014 Bogart ..... H01H 9/00 439/133

(Continued)

*Primary Examiner* — Selina Sikder

(74) *Attorney, Agent, or Firm* — Quarles & Brady LLP

(57) **CLAIM**

The ornamental design for a terminal block lock out device, as shown and described.

**DESCRIPTION**

FIG. 1 is a top, front, and right perspective view of a terminal block lock out device in an opened position suitable for insertion or withdrawal into a space of an open terminal block;

FIG. 2 is a top, rear, and left perspective view of the terminal block lock out device of FIG. 1;

FIG. 3 is a front elevational view of the terminal block lock out device of FIG. 1;

FIG. 4 is a rear elevational view of the terminal block lock out device of FIG. 1;

FIG. 5 is a right elevational view of the terminal block lock out device of FIG. 1;

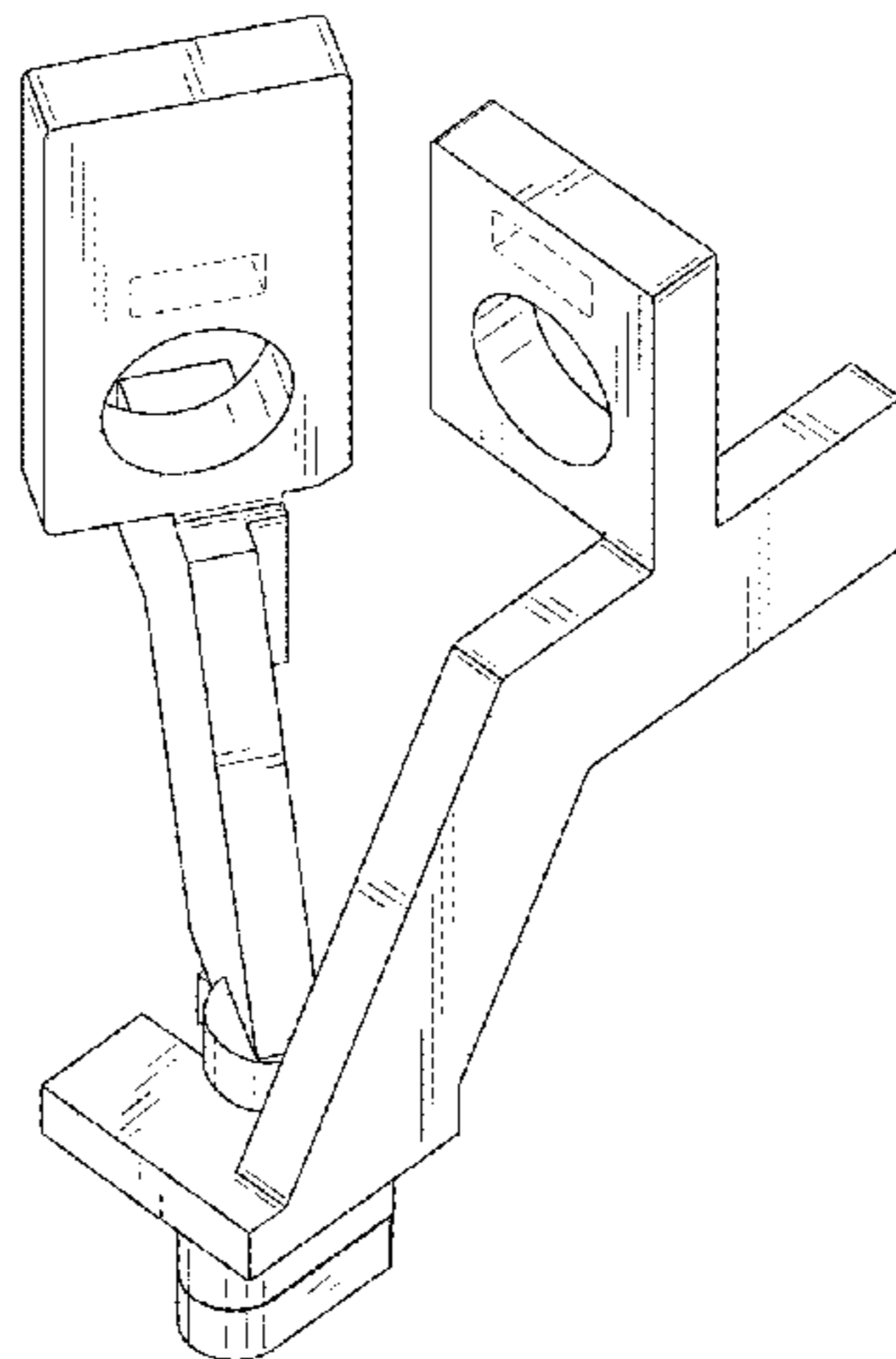
FIG. 6 is a left elevational view of the terminal block lock out device of FIG. 1;

FIG. 7 is a top plan view of the terminal block lock out device of FIG. 1; and,

FIG. 8 is a bottom plan view of the terminal block lock out device of FIG. 1.

The broken line representations in the views are for illustrative purposes only and form no part of the claimed design.

**1 Claim, 8 Drawing Sheets**



(56)

**References Cited**

U.S. PATENT DOCUMENTS

2014/0262702	A1*	9/2014	Oley .....	H01H 9/283 200/43.11
2015/0206668	A1*	7/2015	Montgomery .....	H01H 9/283 200/43.21

\* cited by examiner

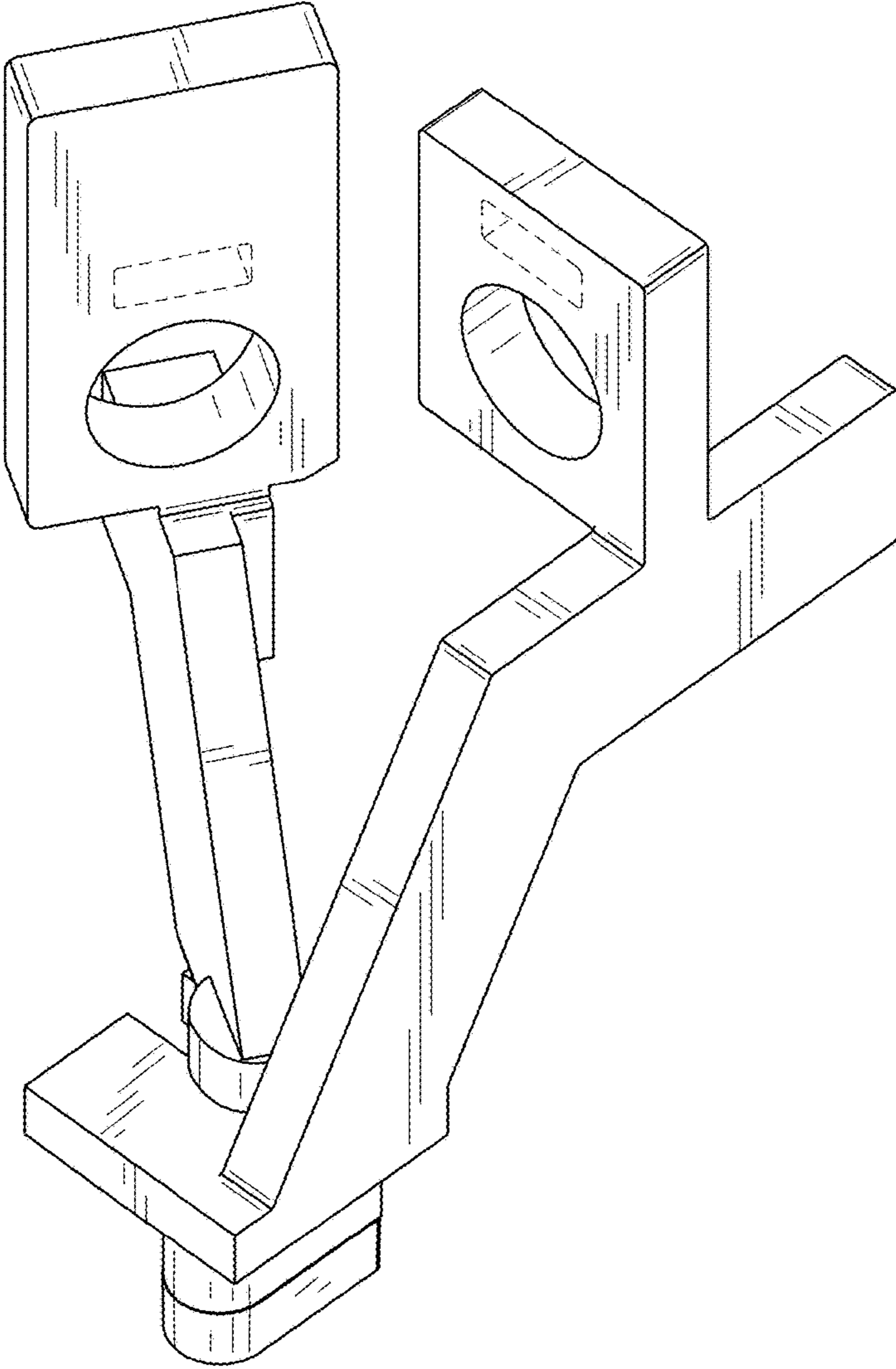


FIG. 1

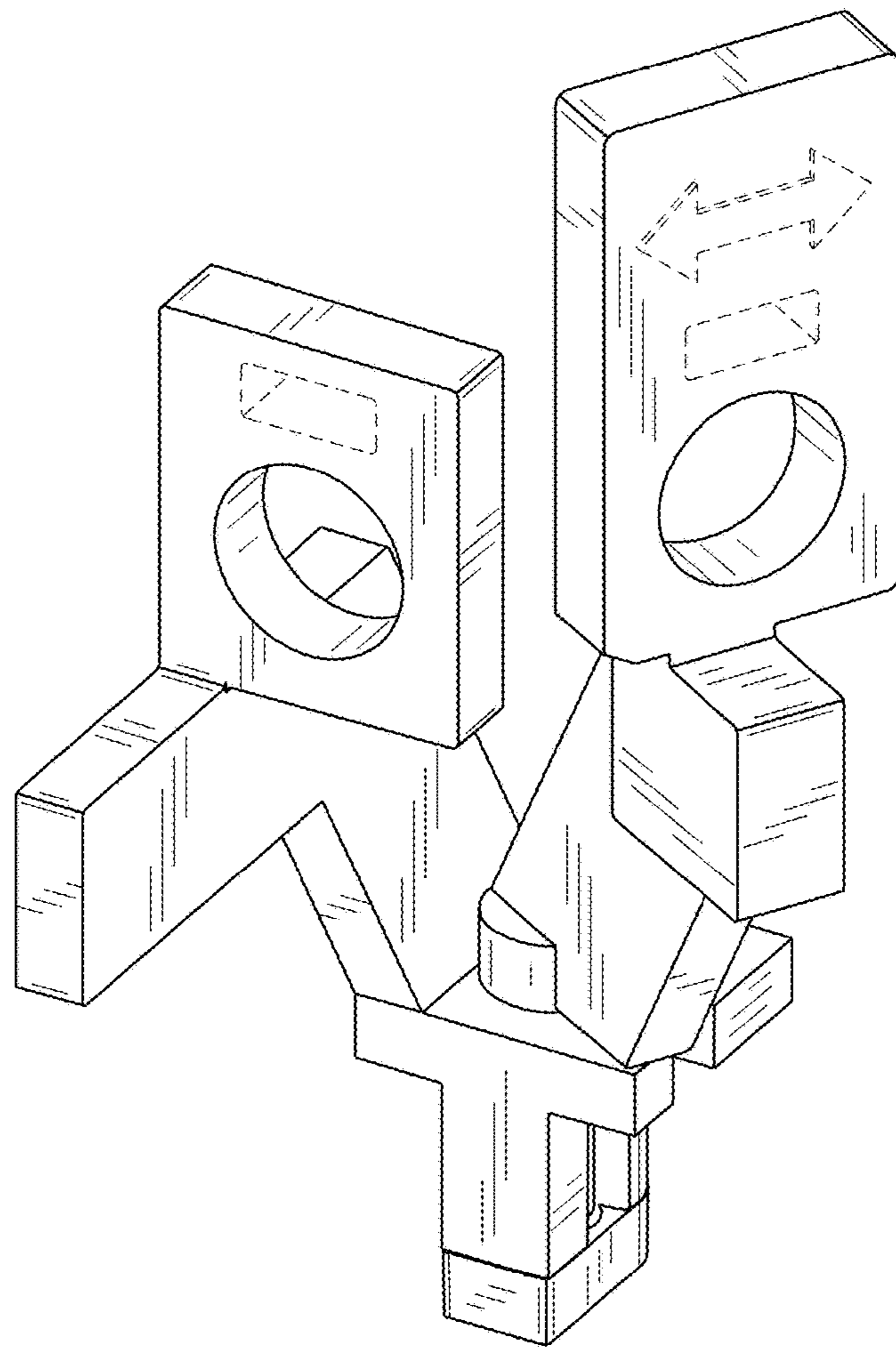


FIG. 2

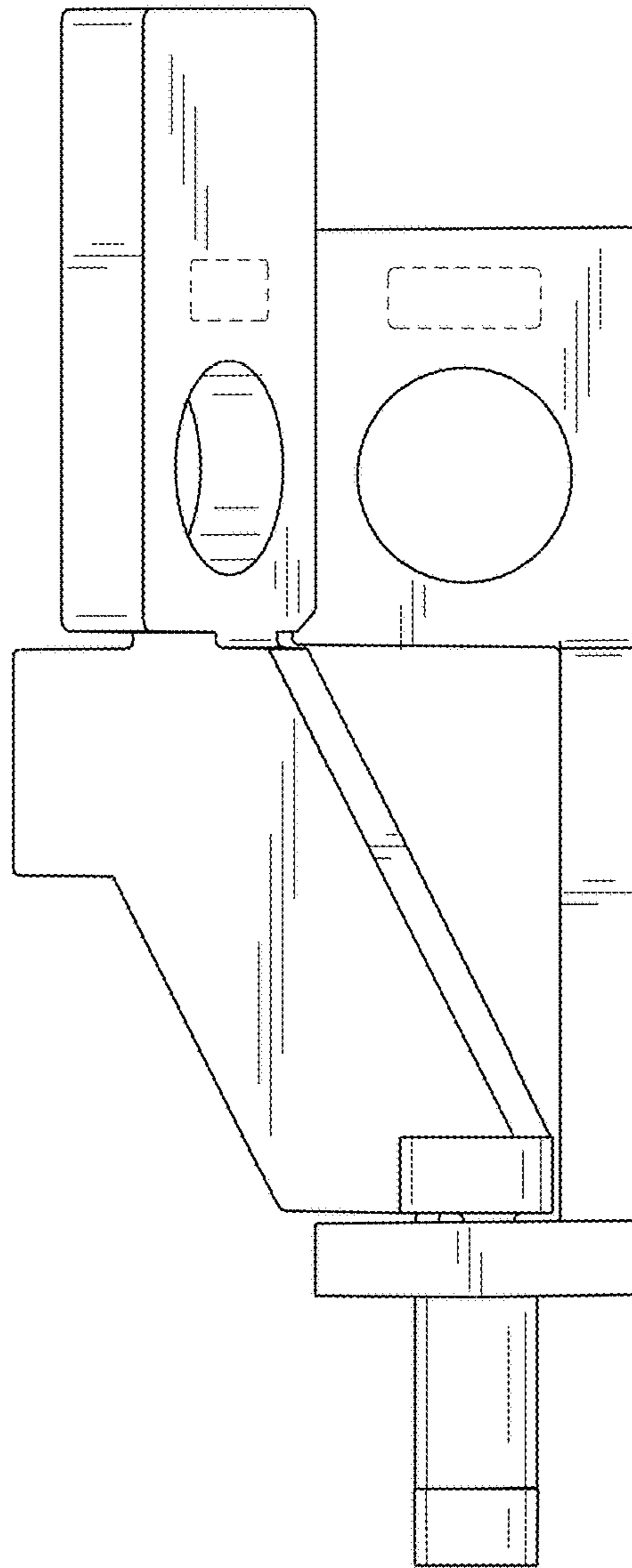


FIG. 3

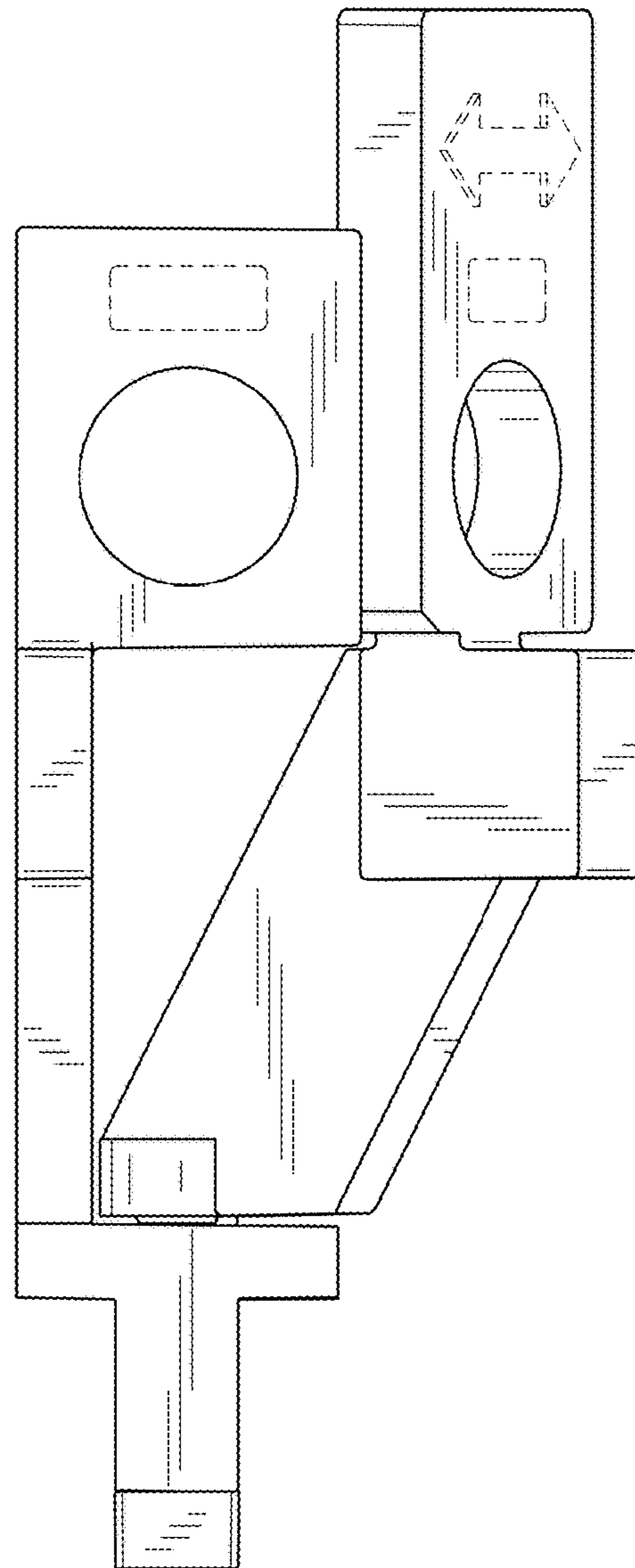


FIG. 4

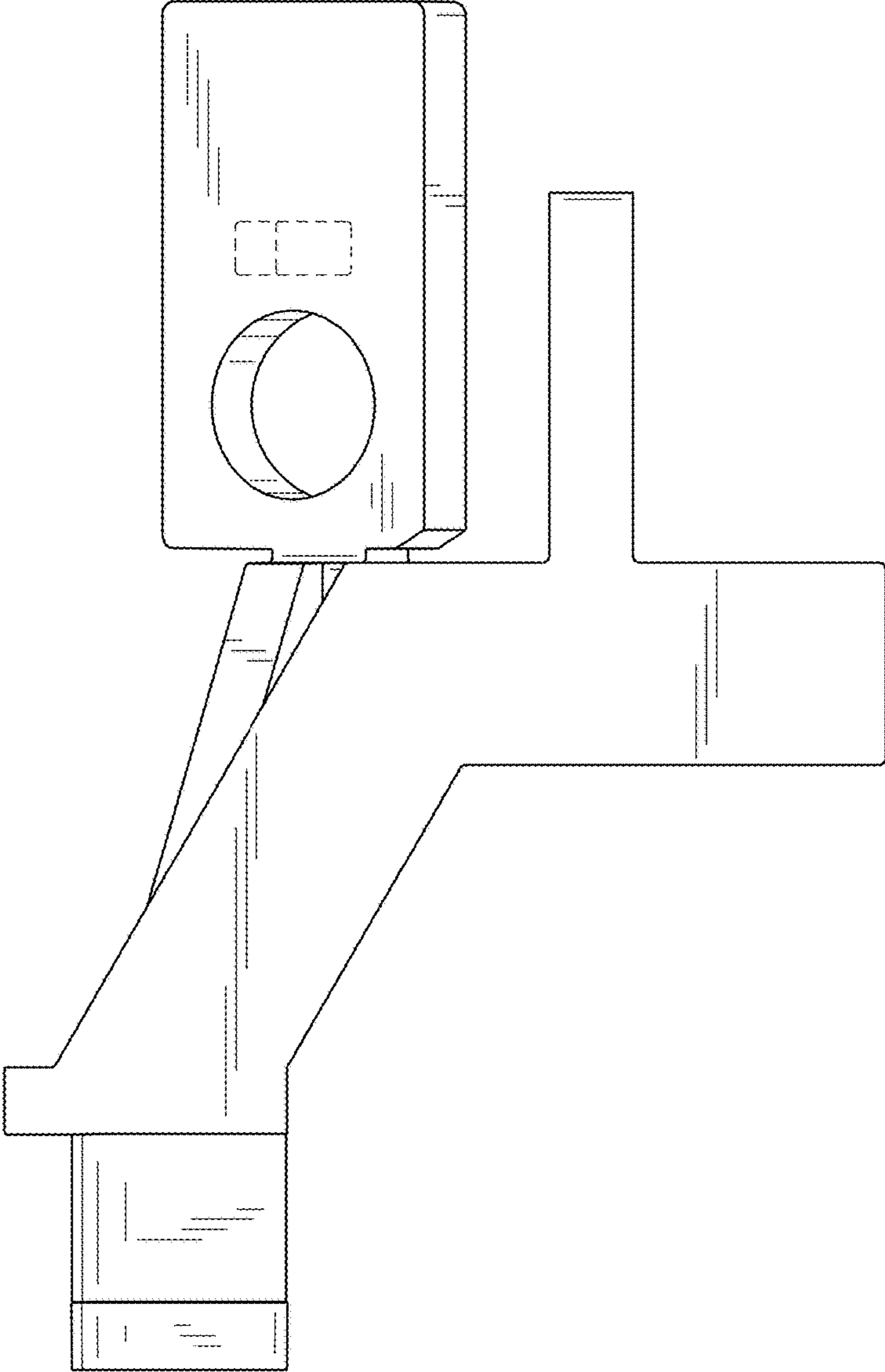


FIG. 5



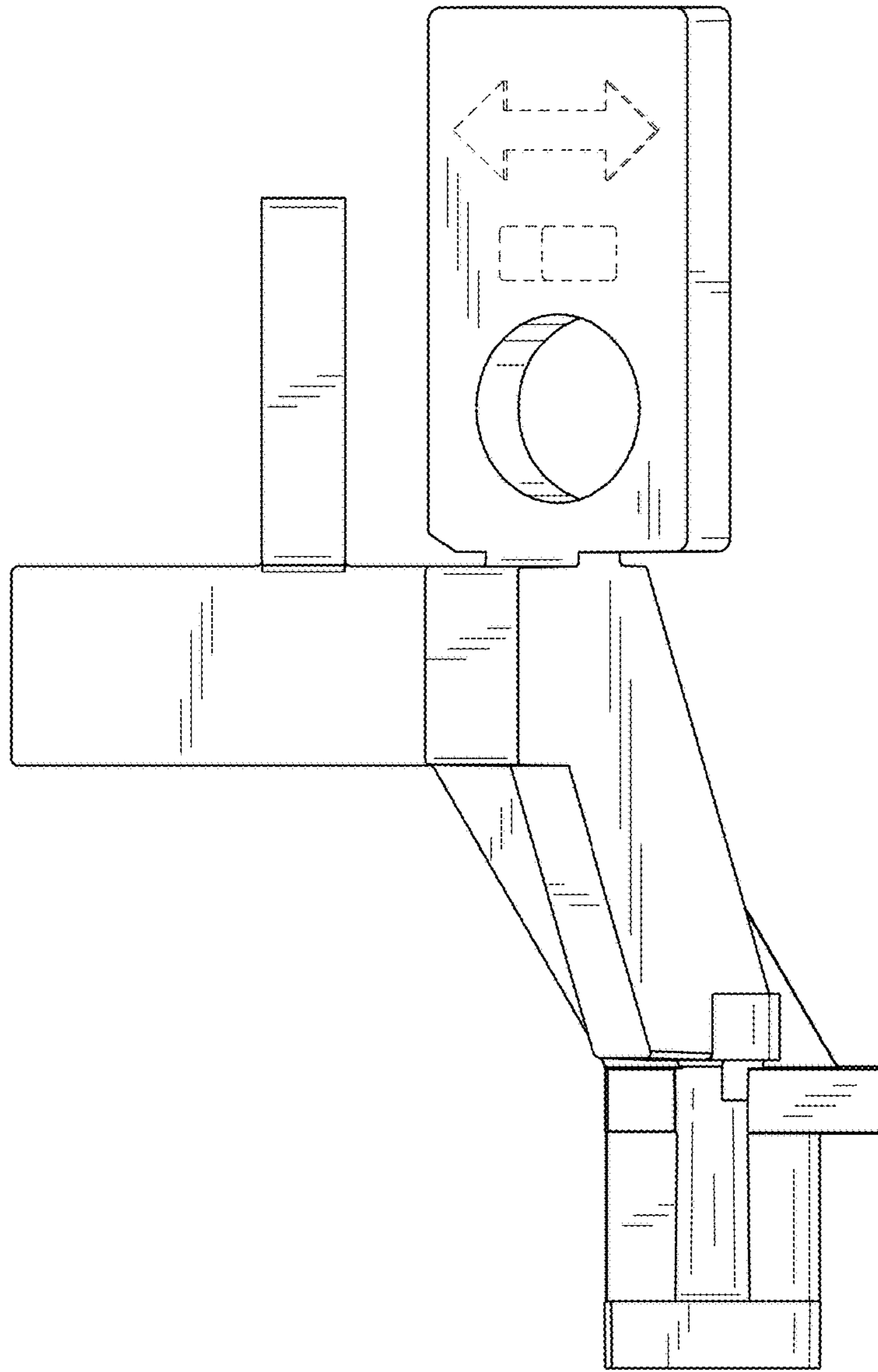


FIG. 6



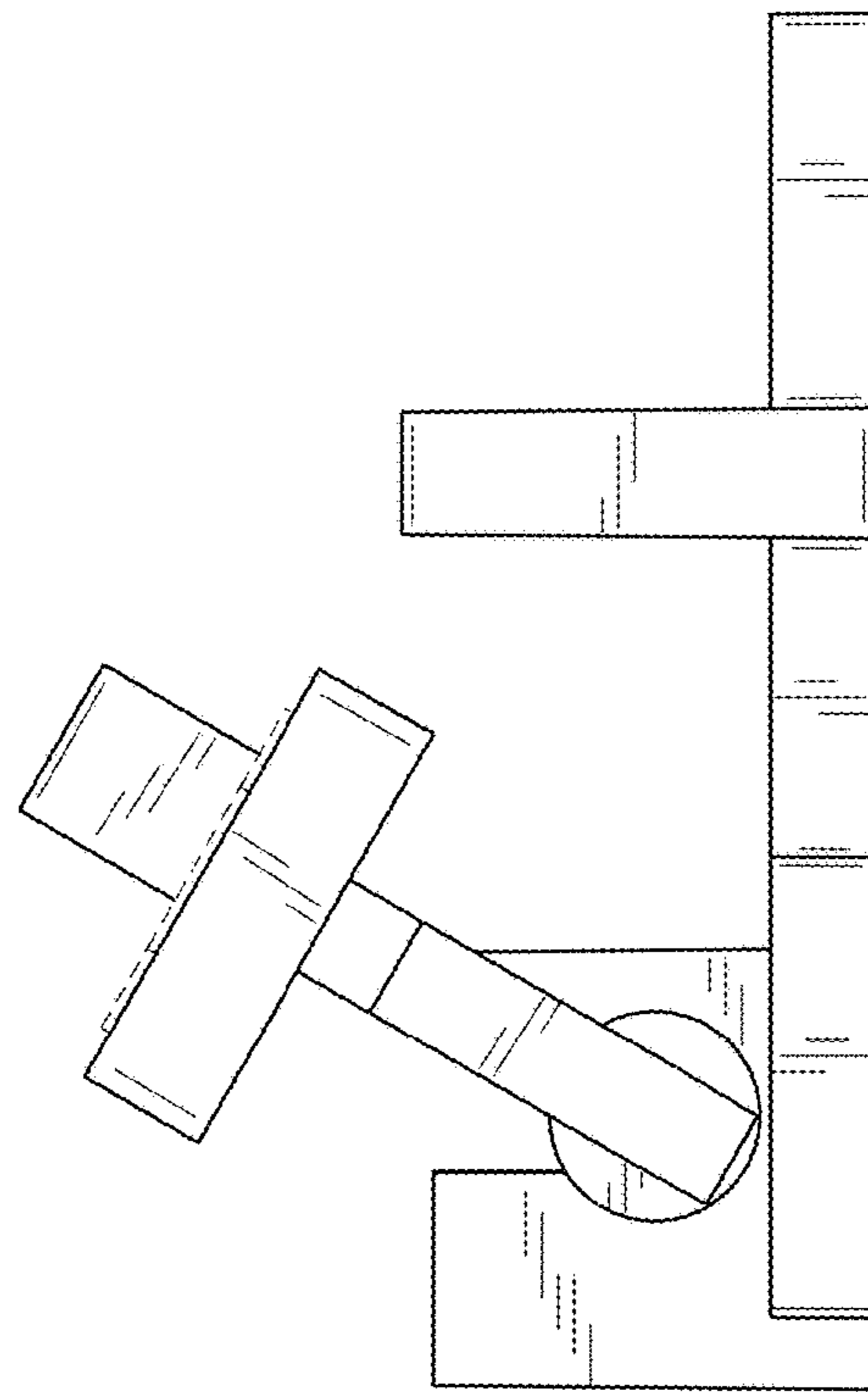


FIG. 7

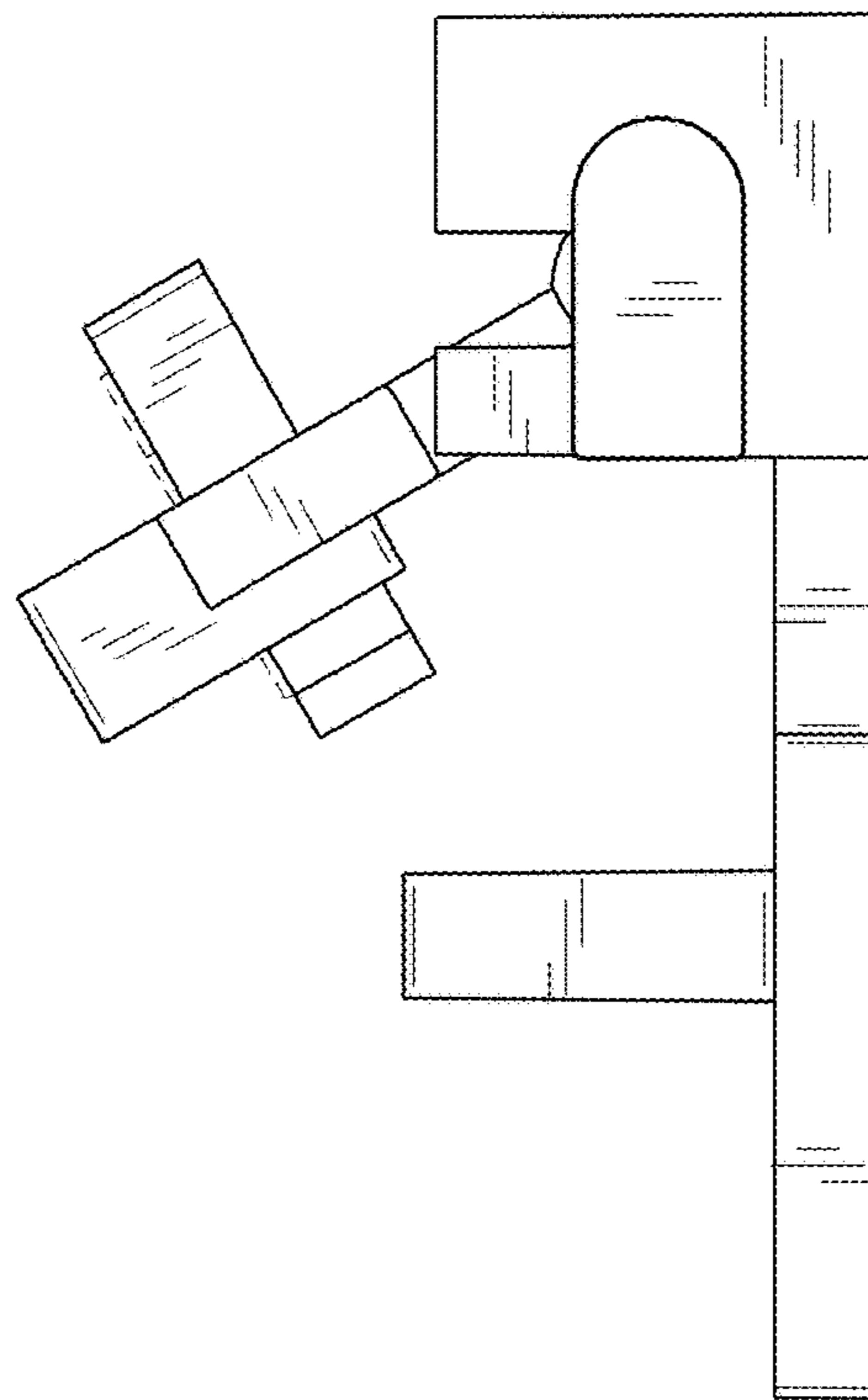


FIG. 8