



US00D843954S

(12) **United States Design Patent**  
**Tomerlin et al.**

(10) **Patent No.:** **US D843,954 S**  
(45) **Date of Patent:** **\*\* Mar. 26, 2019**

- (54) **TRANSMITTER**
- (71) Applicant: **The Chamberlain Group, Inc.**, Oak Brook, IL (US)
- (72) Inventors: **Kenneth F. Tomerlin**, Darien, IL (US); **Darryl P. De Wind**, West Olive, MI (US)
- (73) Assignee: **The Chamberlain Group, Inc.**, Oak Brook, IL (US)
- (\*\*) Term: **15 Years**
- (21) Appl. No.: **29/628,100**
- (22) Filed: **Dec. 1, 2017**

- D309,890 S 8/1990 Cheng
- D315,527 S 3/1991 Weirsman
- D351,591 S 10/1994 Chen
- D351,841 S 10/1994 Blankenship
- D354,500 S 1/1995 Georgopoulos
- 5,402,105 A 3/1995 Doyle

(Continued)

*Primary Examiner* — Selina Sikder

(74) *Attorney, Agent, or Firm* — Fitch, Even, Tabin & Flanery LLP

(57) **CLAIM**

We claim the ornamental design for transmitter, as shown and described.

**DESCRIPTION**

FIG. 1 is a perspective view of transmitter in accordance with our new design;  
 FIG. 2 is a left side elevation view of the transmitter of FIG. 1;  
 FIG. 3 is a right side elevation view of the transmitter of FIGS. 1-2;  
 FIG. 4 is a top view of the transmitter of FIGS. 1-3;  
 FIG. 5 is a bottom view of the transmitter of FIGS. 1-4;  
 FIG. 6 is a front elevation view of the transmitter of FIGS. 1-5;  
 FIG. 7 is a perspective view of transmitter in accordance with a second embodiment of our new design;  
 FIG. 8 is a left side elevation view of the transmitter of FIG. 7;  
 FIG. 9 is a right side elevation view of the transmitter of FIGS. 7-8;  
 FIG. 10 is a top view of the transmitter of FIGS. 7-9;  
 FIG. 11 is a bottom view of the transmitter of FIGS. 7-10;  
 and,  
 FIG. 12 is a front elevation view of the transmitter of FIGS. 7-11.

In the drawings, the broken lines depict portions of the transmitter that from no part of the claimed design.

**Related U.S. Application Data**

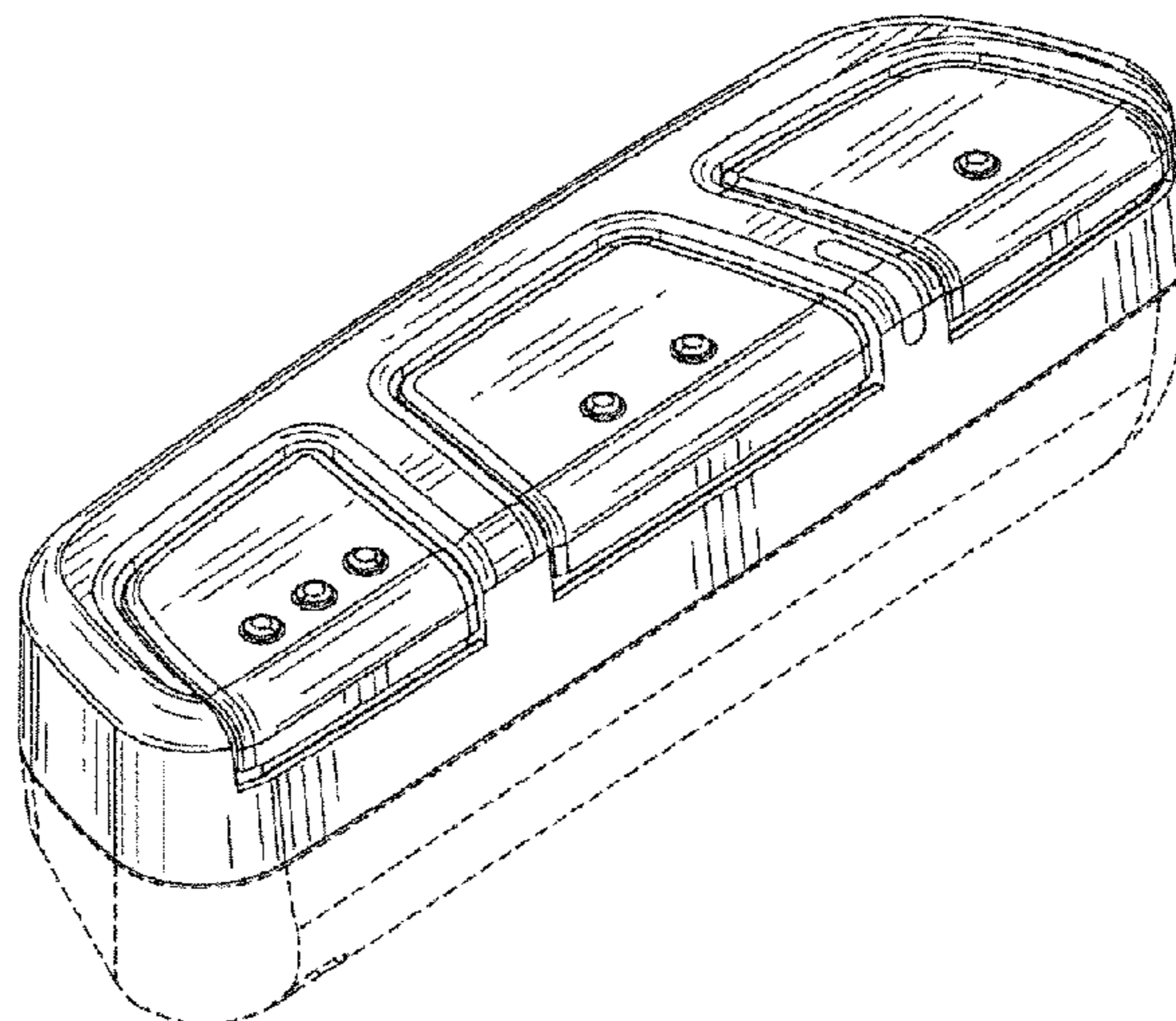
- (62) Division of application No. 29/573,550, filed on Aug. 8, 2016, now Pat. No. Des. 813,825.
  - (51) **LOC (11) Cl.** ..... **14-03**
  - (52) **U.S. Cl.**  
USPC ..... **D13/168**
  - (58) **Field of Classification Search**  
USPC ..... D13/168; D14/218; D10/104.1, 106.1  
CPC .... H03J 1/0025; H03J 9/00; H03J 9/02; H03J 9/04; H03J 9/06; H04B 1/202; G05B 11/01; G08C 17/00; G08C 17/02; G08C 19/28; G07C 9/00309; G07C 9/00182; G07C 9/00944; G07C 9/00174; G07C 2009/00206; G07C 2009/00214; G07C 2009/00928; E05F 15/77
- See application file for complete search history.

(56) **References Cited**

**U.S. PATENT DOCUMENTS**

- D168,149 S 11/1952 Edwards
- D219,028 S 10/1970 Miller et al.
- 3,975,723 A 8/1976 Bowling
- 4,278,968 A 7/1981 Arnett

**1 Claim, 8 Drawing Sheets**



(56)

References Cited

U.S. PATENT DOCUMENTS

|              |         |               |                   |         |            |                         |
|--------------|---------|---------------|-------------------|---------|------------|-------------------------|
| D357,201 S   | 4/1995  | Novack        | 6,529,142 B2      | 3/2003  | Yeh        |                         |
| D357,919 S   | 5/1995  | Teui          | D473,221 S        | 4/2003  | Herrmann   |                         |
| 5,471,195 A  | 11/1995 | Rickman       | 6,597,291 B2      | 7/2003  | Teui       |                         |
| D375,909 S   | 11/1996 | Dziersk       | D478,605 S        | 8/2003  | Guzman     |                         |
| D377,458 S   | 1/1997  | Tsui          | D484,120 S        | 12/2003 | Yin        |                         |
| D377,767 S   | 2/1997  | Doppelt       | D485,551 S        | 1/2004  | Nylen      |                         |
| D378,200 S   | 2/1997  | Doppelt       | D490,380 S        | 5/2004  | Coullahan  |                         |
| D379,993 S   | 6/1997  | Devitt        | D490,403 S        | 5/2004  | Wang       |                         |
| D380,694 S   | 7/1997  | Seki          | D493,165 S        | 7/2004  | Krapfl     |                         |
| D380,696 S * | 7/1997  | Doppelt       | D494,144 S        | 8/2004  | Guzman     |                         |
| D381,009 S   | 7/1997  | Nagata        | D497,318 S        | 10/2004 | Strand     |                         |
| D381,662 S   | 7/1997  | Weissberg     | D499,087 S        | 11/2004 | Peng       |                         |
| D381,962 S   | 8/1997  | Doppelt       | D501,643 S *      | 2/2005  | Strand     | D10/104.1               |
| D383,687 S   | 9/1997  | Conrado       | D532,001 S        | 11/2006 | Burke      |                         |
| D383,895 S   | 9/1997  | Christie      | D535,650 S        | 1/2007  | Wong       |                         |
| D385,878 S   | 11/1997 | Flick         | D535,651 S        | 1/2007  | Wong       |                         |
| 5,689,236 A  | 11/1997 | Kister        | D548,702 S        | 8/2007  | Girard     |                         |
| D392,944 S   | 3/1998  | Issa          | D549,182 S        | 8/2007  | Girard     |                         |
| D393,859 S   | 4/1998  | Nguyen        | D552,040 S        | 10/2007 | Girard     |                         |
| 5,798,681 A  | 8/1998  | Chang         | D556,701 S        | 12/2007 | Nohara     |                         |
| D399,155 S   | 10/1998 | Roberts       | D559,234 S        | 1/2008  | Girard     |                         |
| D405,424 S   | 2/1999  | Winkler       | D561,703 S        | 2/2008  | Shimokawa  |                         |
| D406,107 S   | 2/1999  | Flick         | D571,305 S        | 6/2008  | Thursfield |                         |
| 5,883,579 A  | 3/1999  | Schreiner     | D590,780 S        | 4/2009  | DeBoer     |                         |
| D409,577 S   | 5/1999  | Doppelt       | D592,158 S        | 5/2009  | Peterson   |                         |
| D413,579 S   | 9/1999  | Mullet        | D638,394 S        | 5/2011  | Richards   |                         |
| D415,743 S   | 10/1999 | Inukai        | D667,382 S        | 9/2012  | Cosentino  |                         |
| D415,769 S   | 10/1999 | Waldner       | 8,598,983 B2      | 12/2013 | Hattori    |                         |
| D424,065 S   | 5/2000  | Soo           | D722,983 S        | 2/2015  | Paredes    |                         |
| 6,091,343 A  | 7/2000  | Dykema        | D725,049 S        | 3/2015  | Paredes    |                         |
| D429,238 S   | 8/2000  | Kolinen       | D735,700 S *      | 8/2015  | Davis      | D14/240                 |
| D432,551 S   | 10/2000 | Luke          | D748,066 S        | 1/2016  | Lee        |                         |
| D435,041 S   | 12/2000 | Blasingame    | D751,515 S        | 3/2016  | Paredes    |                         |
| D437,308 S   | 2/2001  | Gasa          | D806,043 S        | 12/2017 | Miller     |                         |
| D438,199 S   | 2/2001  | Arpe          | D813,825 S        | 3/2018  | Tomerlin   |                         |
| D438,533 S   | 3/2001  | Arpe          | 2002/0008610 A1   | 1/2002  | Peterson   |                         |
| D441,185 S   | 5/2001  | Shimizu       | 2004/0006707 A1 * | 1/2004  | Pretzlaff  | G07C 9/00309<br>726/7   |
| 6,225,913 B1 | 5/2001  | Slomowitz     | 2004/0099430 A1   | 5/2004  | Scudder    |                         |
| 6,310,548 B1 | 10/2001 | Stephens, Jr. | 2004/0140883 A1   | 7/2004  | Jalil      |                         |
| 6,353,383 B1 | 3/2002  | Gross         | 2008/0147304 A1   | 6/2008  | Pai        |                         |
| 6,353,391 B1 | 3/2002  | Shearer       | 2010/0238640 A1   | 9/2010  | Yang       |                         |
| D465,215 S   | 11/2002 | Read          | 2012/0087096 A1   | 4/2012  | Shen       |                         |
| D465,481 S   | 11/2002 | Haaparanta    | 2015/0302738 A1   | 10/2015 | Geerlings  |                         |
| D468,274 S   | 1/2003  | Novak         | 2016/0037664 A1 * | 2/2016  | Hendricks  | G07C 9/00182<br>361/814 |
| D470,839 S   | 2/2003  | Tuhkanen      | 2017/0019372 A1   | 1/2017  | Panje      |                         |
| D470,852 S   | 2/2003  | Kim           | 2017/0034485 A1   | 2/2017  | Scalisi    |                         |
| 6,522,258 B1 | 2/2003  | Lott          | 2017/0193722 A1 * | 7/2017  | Geerlings  | G08C 17/02              |

\* cited by examiner

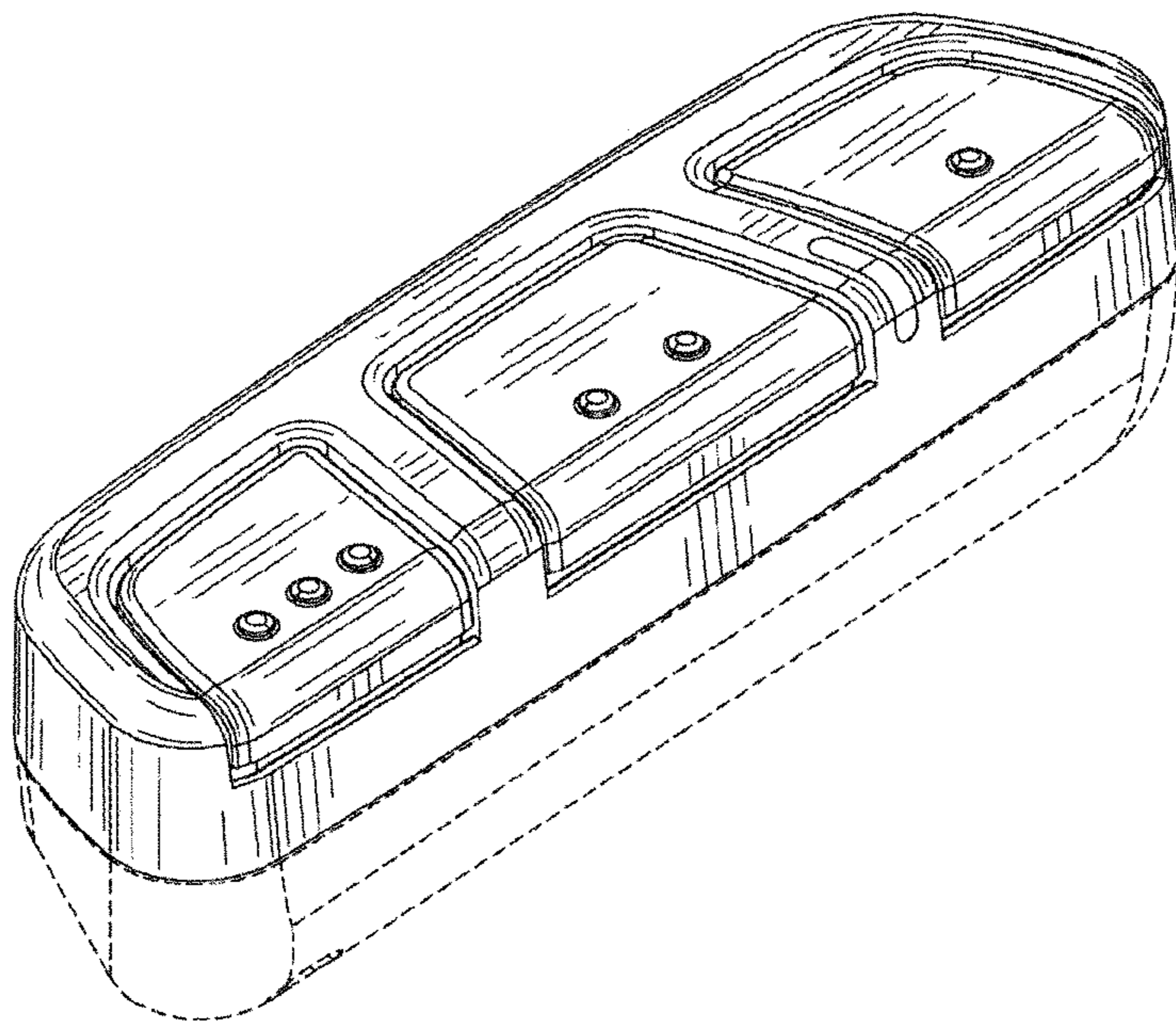


FIG. 1

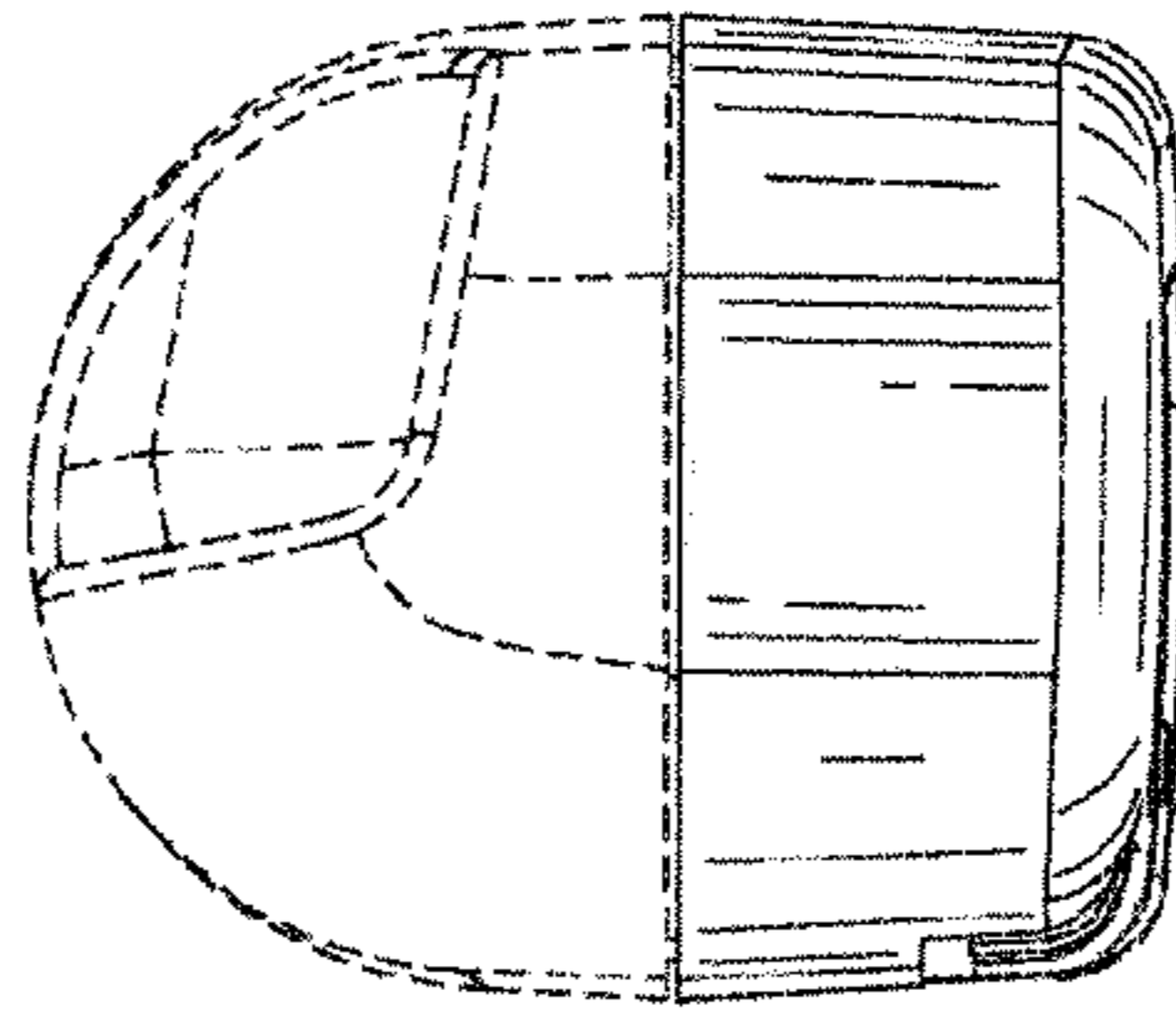


FIG. 2

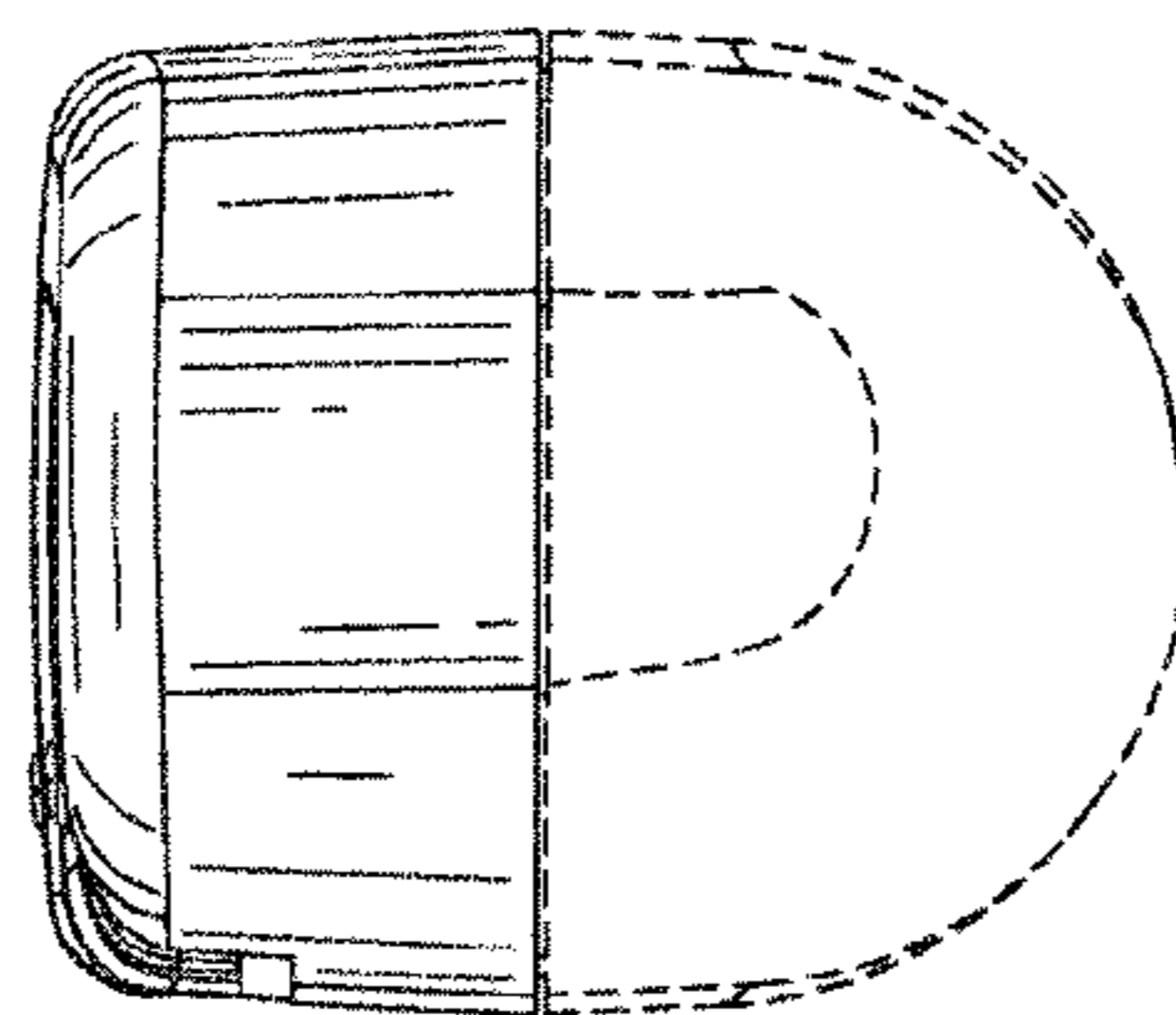


FIG. 3

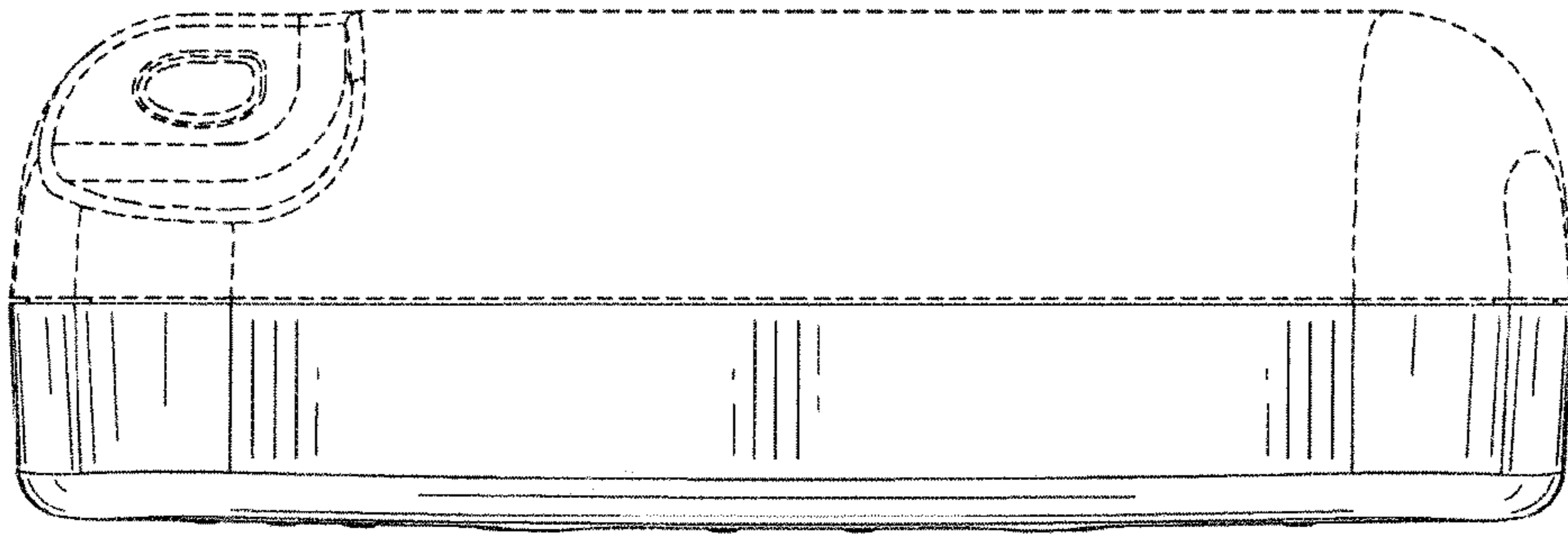


FIG. 4

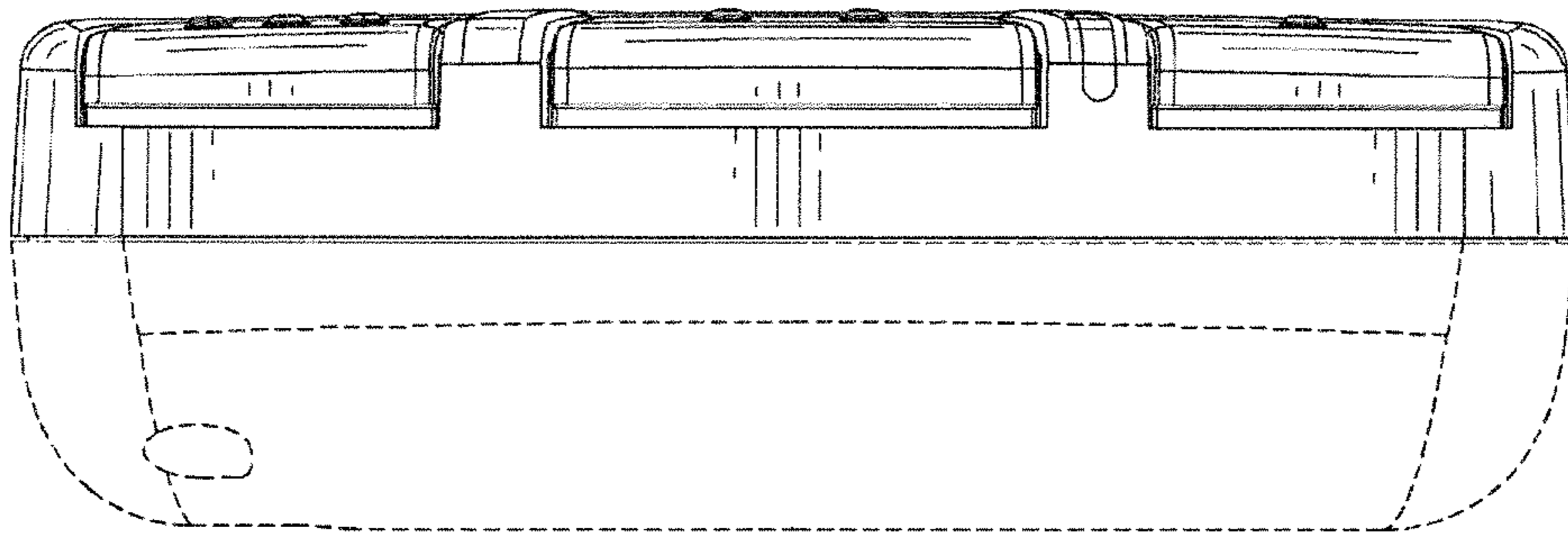


FIG. 5

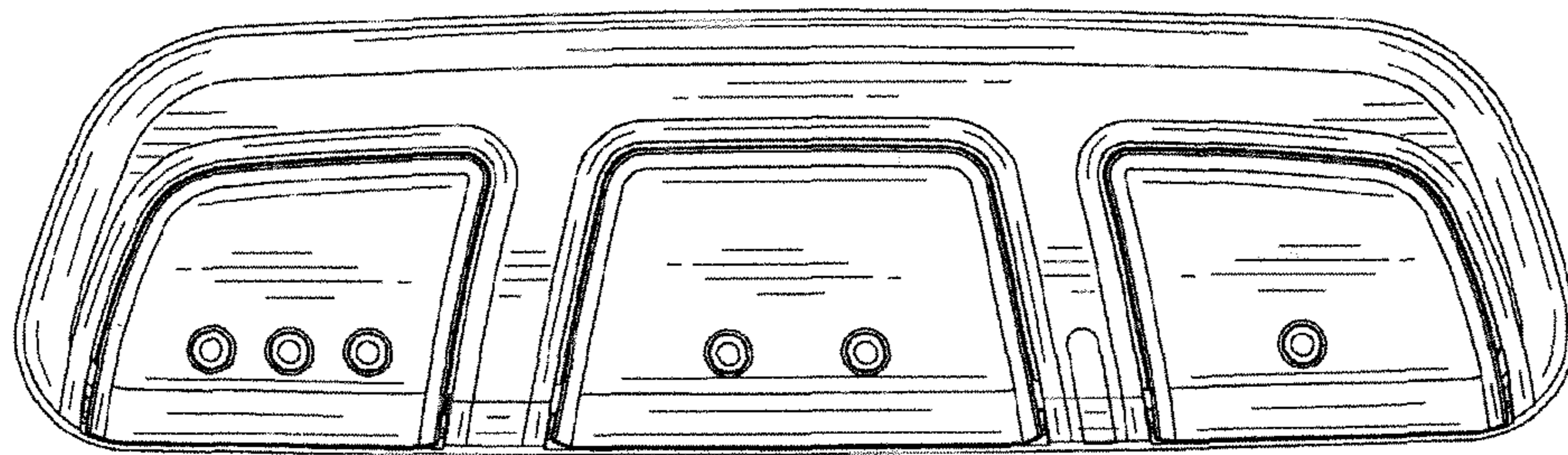


FIG. 6

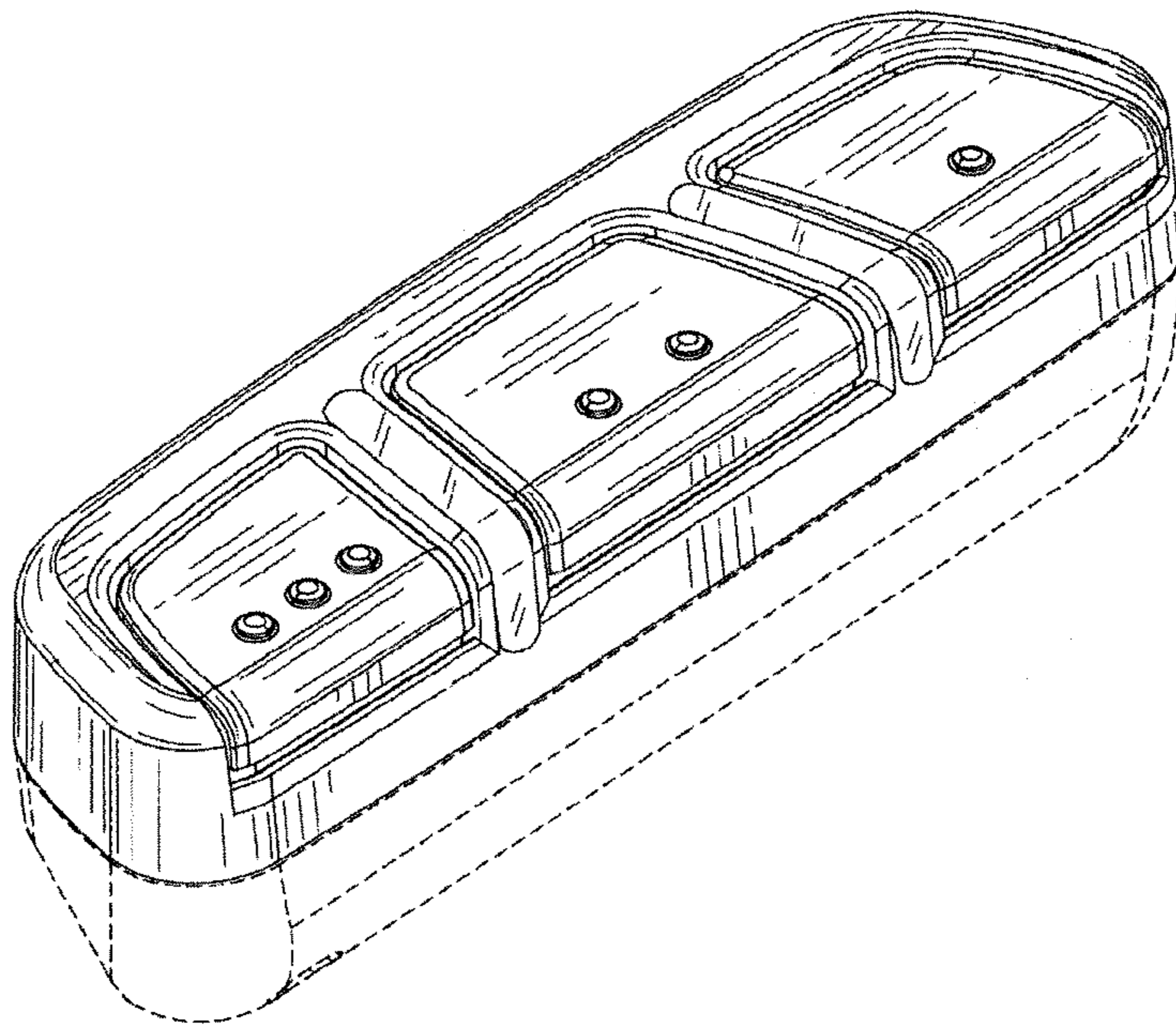


FIG. 7

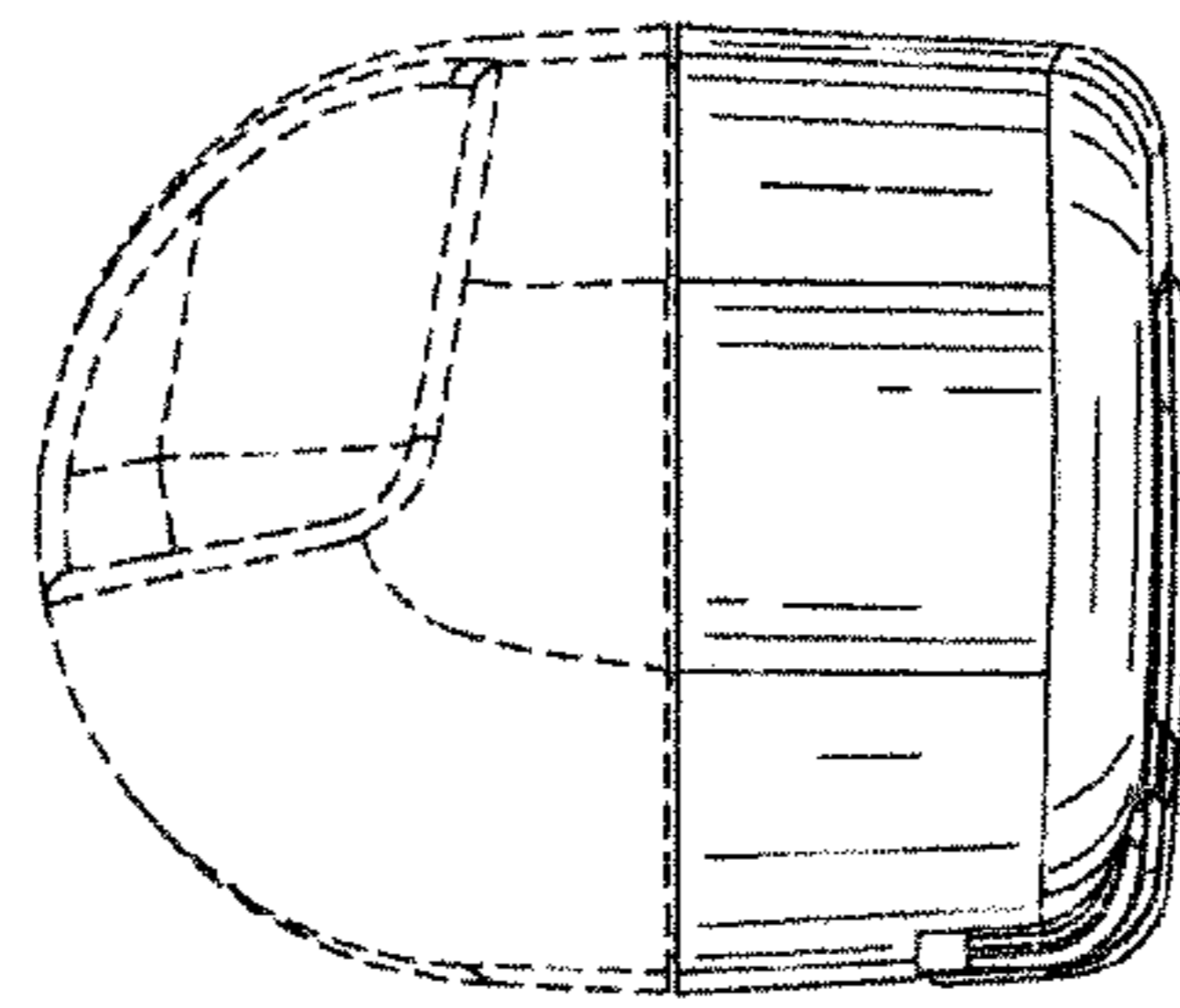


FIG. 8

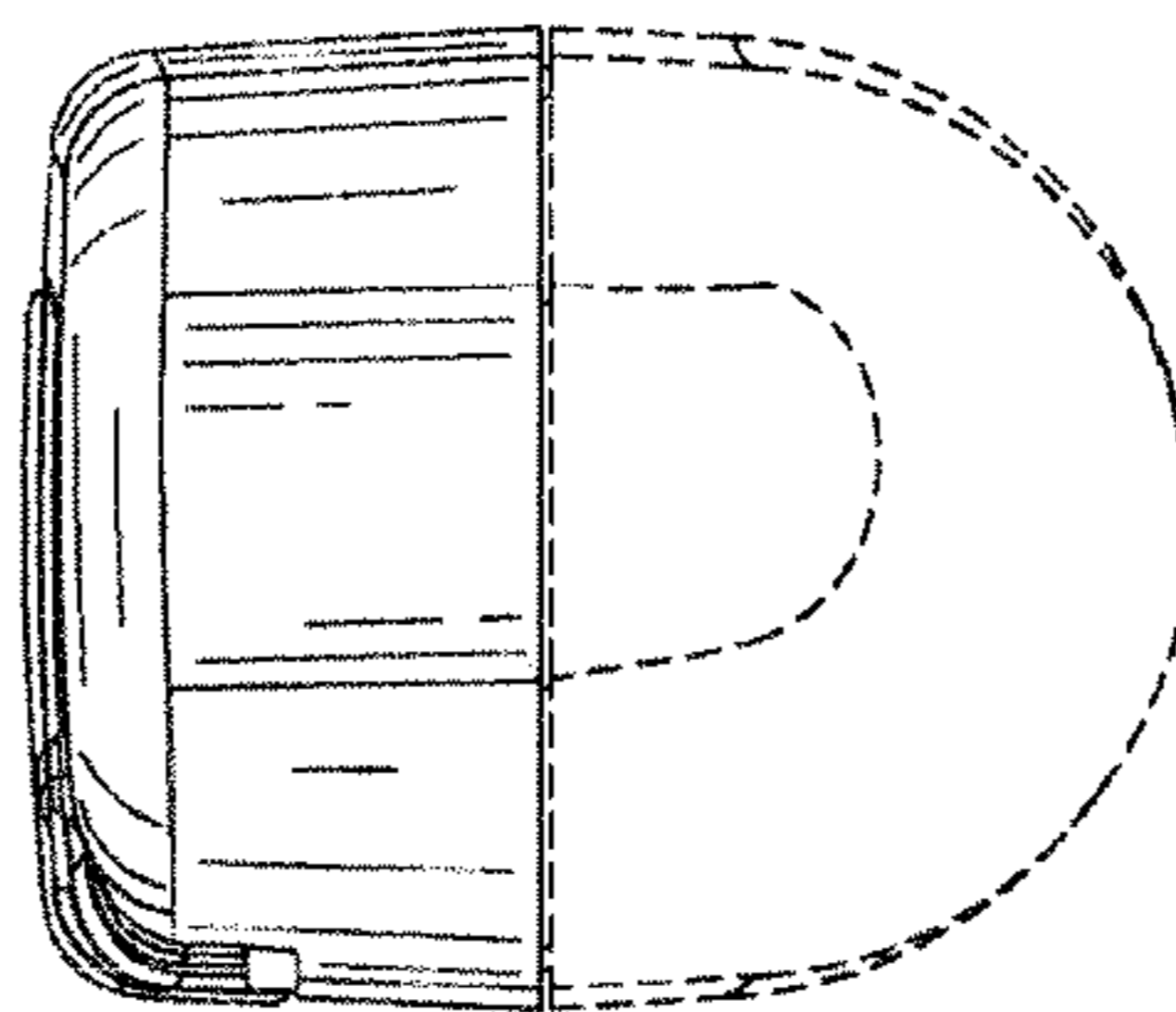


FIG. 9



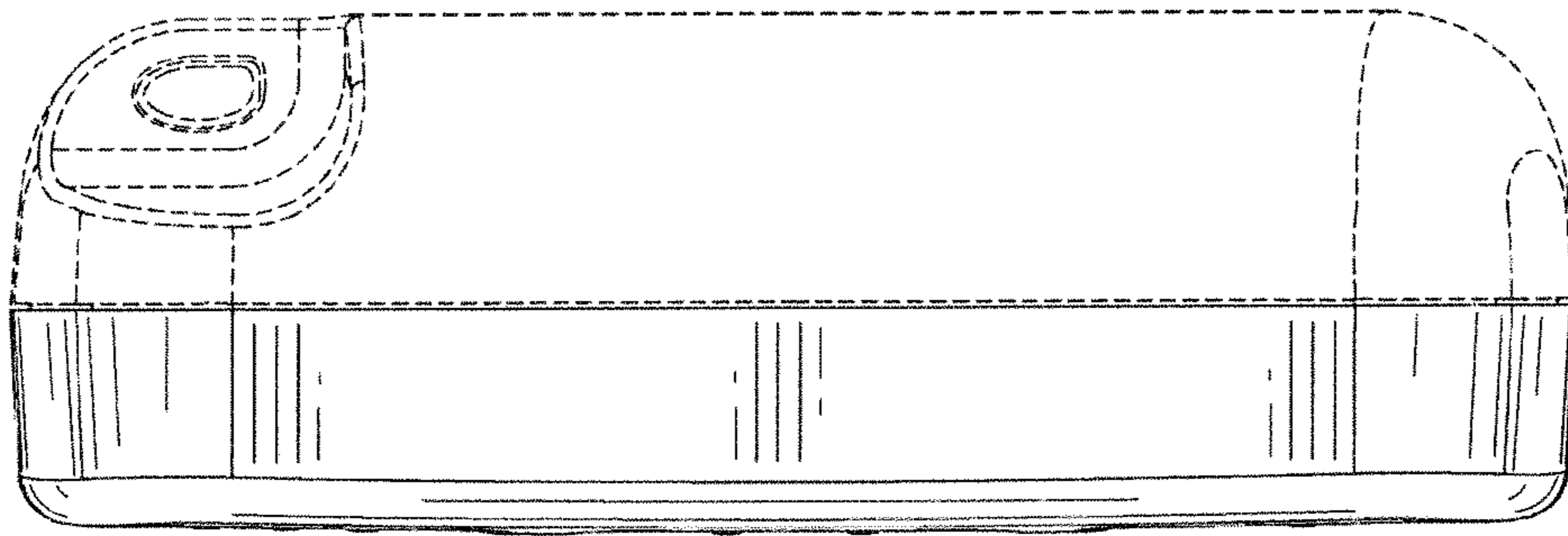


FIG. 10

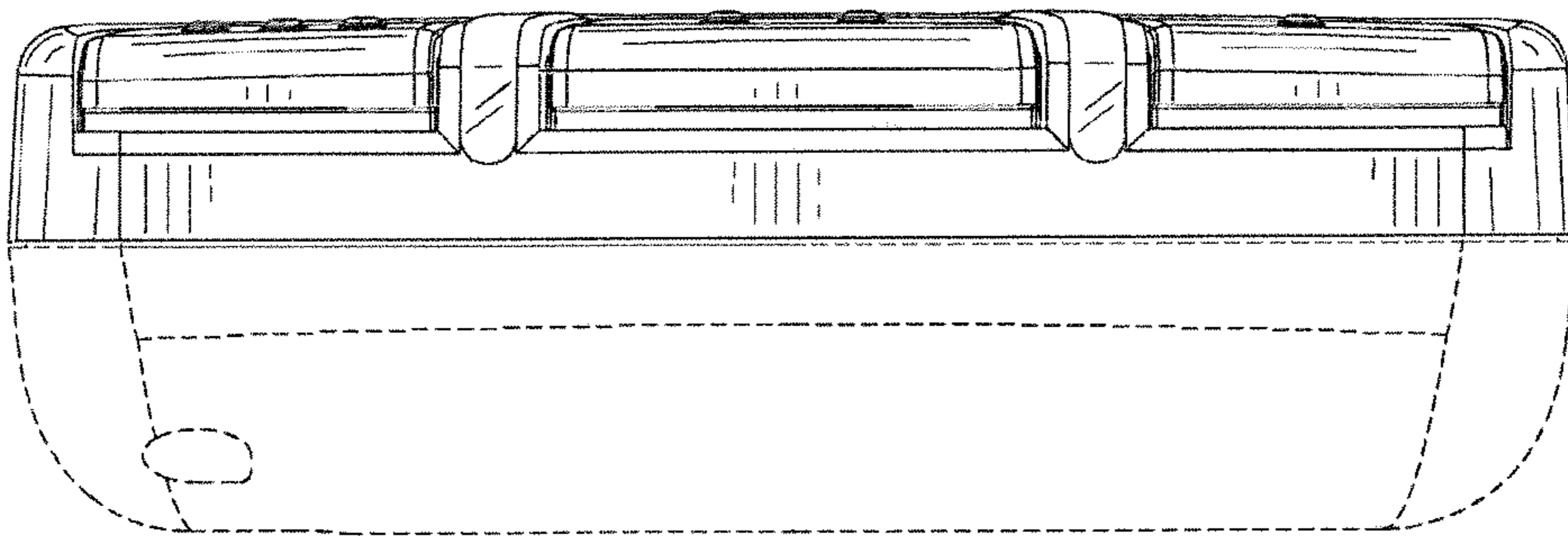


FIG. 11

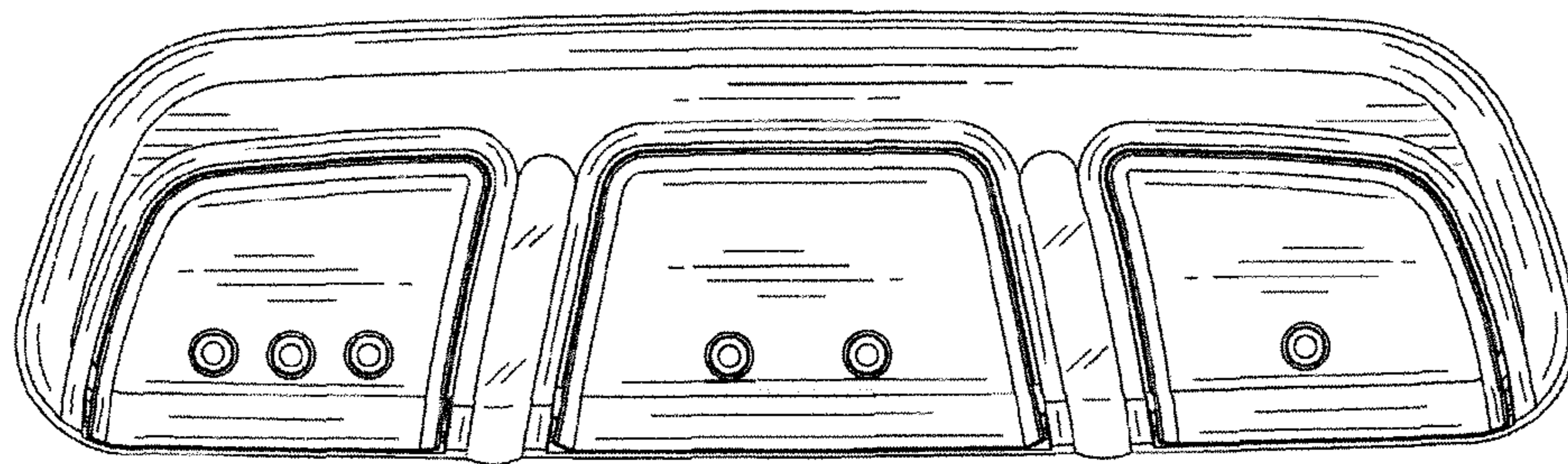


FIG. 12