



US00D843952S

(12) **United States Design Patent**  
**Smith**

(10) **Patent No.:** **US D843,952 S**  
(45) **Date of Patent:** **\*\* Mar. 26, 2019**

(54) **SLIP ELECTRICAL CONDUIT COUPLER BODY**

(71) Applicant: **Bridgeport Fittings, Inc.**, Stratford, CT (US)

(72) Inventor: **Lawrence J. Smith**, Stamford, CT (US)

(73) Assignee: **Bridgeport Fittings, Inc.**, Stratford, CT (US)

(\*\*) Term: **15 Years**

(21) Appl. No.: **29/670,541**

(22) Filed: **Nov. 16, 2018**

**Related U.S. Application Data**

(62) Division of application No. 29/631,434, filed on Dec. 29, 2017.

(51) **LOC (11) Cl.** ..... **13-03**

(52) **U.S. Cl.**  
USPC ..... **D13/155**

(58) **Field of Classification Search**

USPC ..... D13/118, 123, 133, 148-151, 153-156, D13/173, 184, 199; D8/330, 339, 382, D8/383, 387, 396; D23/259, 262  
CPC ..... F16L 11/118; F16L 21/00; F16L 21/02; F16L 21/08; F16L 33/207; F16L 33/092; F16L 37/00; F16L 37/088; F16L 37/14; F16L 37/144; F16L 39/00; H01R 4/00; H01R 4/48; H01R 4/66; H01R 9/24; H01R 13/00; H01R 13/52; H01R 13/648; H01R 4/30; H01R 4/36; H02G 3/00; H02G 3/06; H02G 3/08; H02G 3/18; H02G 3/04

See application file for complete search history.

(56) **References Cited**

**U.S. PATENT DOCUMENTS**

D20,236 S 10/1890 Kelley  
1,824,642 A 9/1931 Lee  
2,455,180 A 11/1948 Kennedy

(Continued)

**FOREIGN PATENT DOCUMENTS**

DE 202007010452 U1 9/2007  
DE 202013101069 U1 6/2014

(Continued)

**OTHER PUBLICATIONS**

Halex ¾ in. Electrical Metallic Tube (EMT) Set-Screw Coupling, dated Nov. 9, 2015, [online], [site visited Dec. 12, 2018]. Available from Internet, <URL: <https://www.homedepot.com/p/Halex-3-4-in-Electrical-Metallic-Tube-EMT-Set-Screw-Coupling-5-Pack-23222/202328185>> (Year: 2015).\*

(Continued)

*Primary Examiner* — Angela J Lee

*Assistant Examiner* — Shawn T Gingrich

(74) *Attorney, Agent, or Firm* — Ware, Fressola, Maguire & Barber LLP

(57) **CLAIM**

The ornamental design for a slip electrical conduit coupler body, as shown and described.

**DESCRIPTION**

FIG. 1 is a front perspective view of a slip electrical conduit coupler body showing my new design.

FIG. 2 is a top view thereof.

FIG. 3 is a right side view thereof, the left side view being a mirror image thereof.

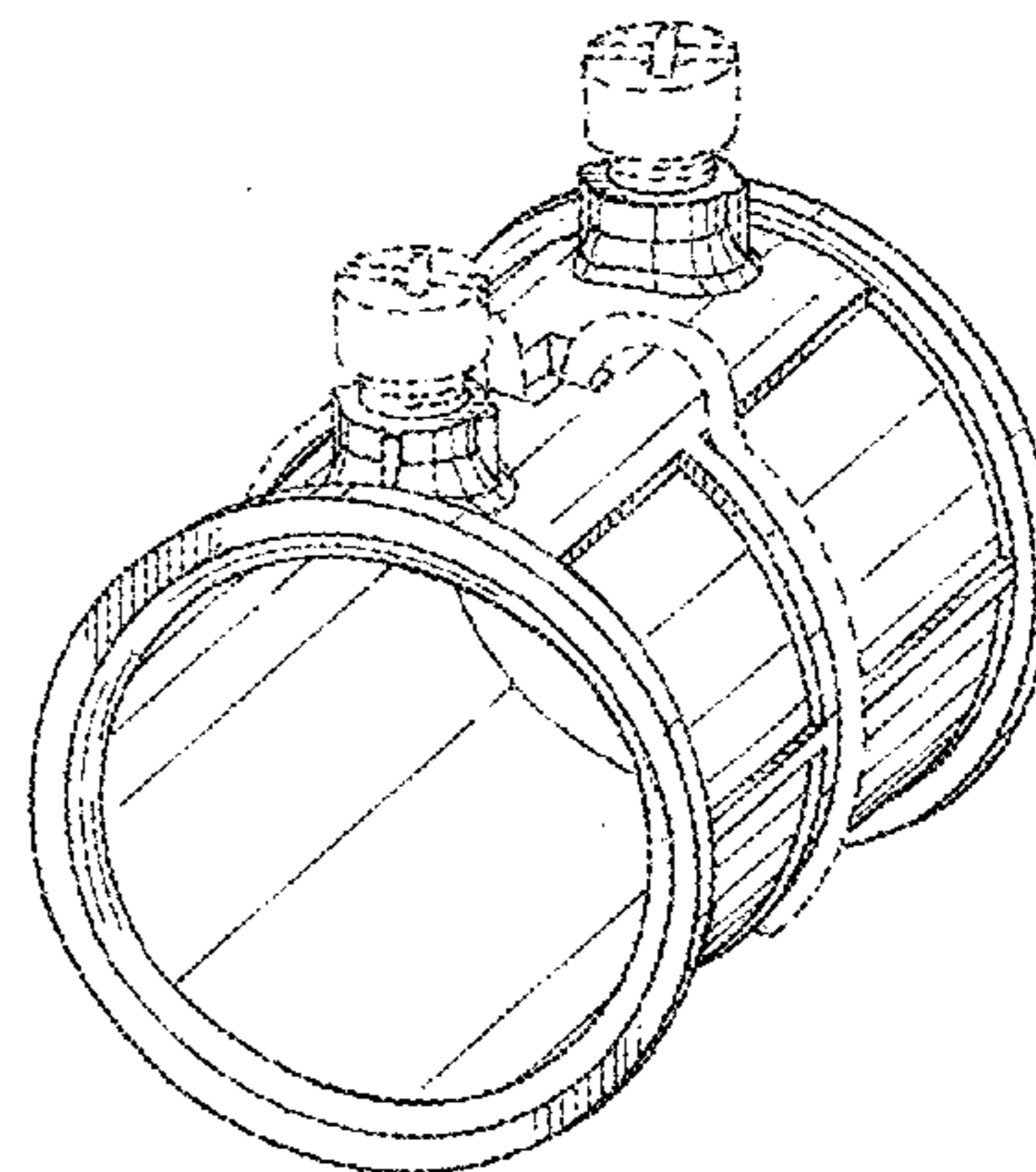
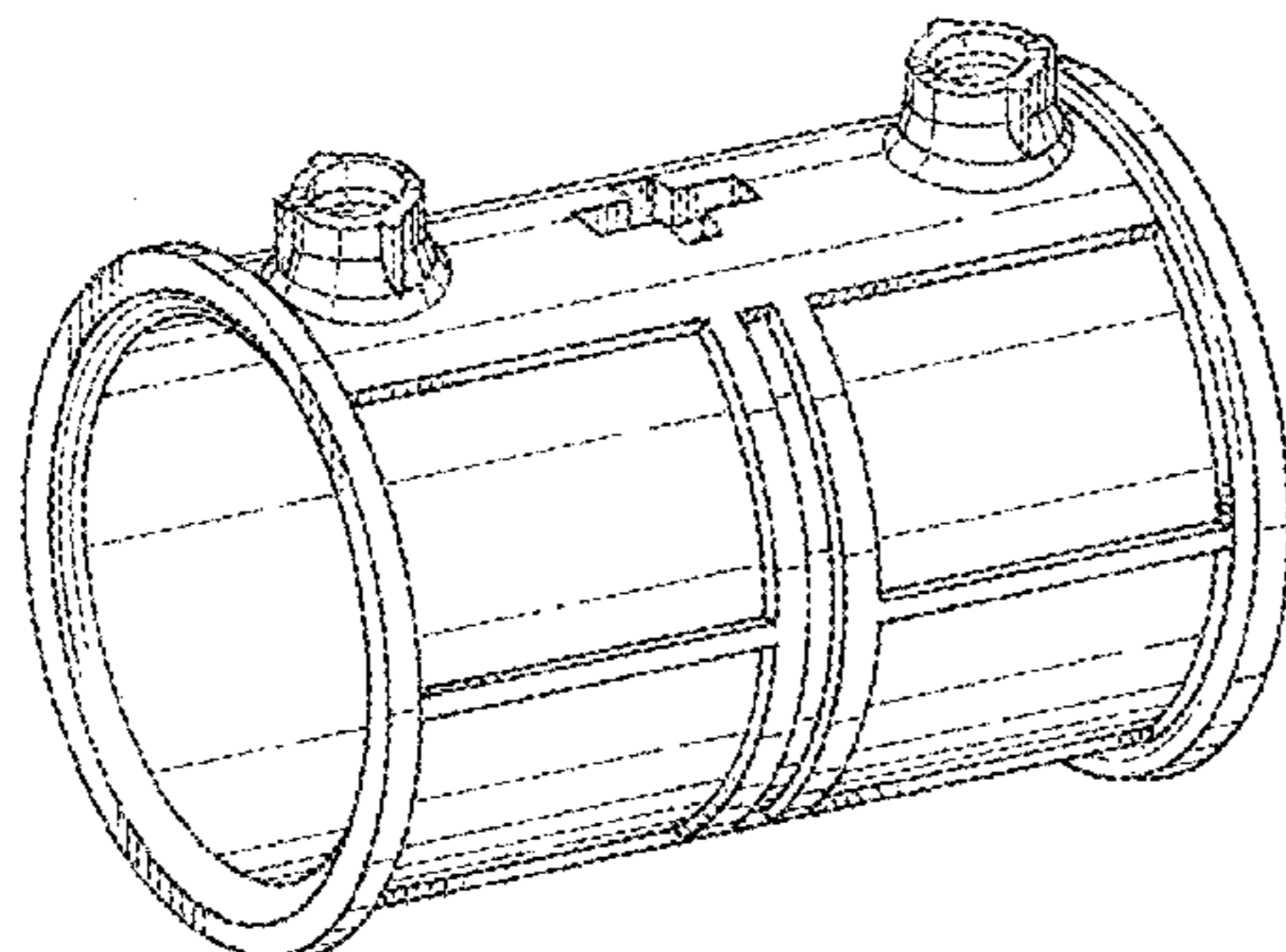
FIG. 4 is a bottom view thereof.

FIG. 5 is a front view thereof, the rear view being the same as the front view; and,

FIG. 6 is a front perspective view thereof in environmental use.

The broken lines in the drawings illustrate environment that form no part of the claimed design.

**1 Claim, 3 Drawing Sheets**



(56)

References Cited

U.S. PATENT DOCUMENTS

D188,025 S \* 5/1960 Curtiss ..... D23/265  
 D188,026 S \* 5/1960 Curtiss ..... D23/265  
 2,973,212 A \* 2/1961 Rose ..... H02G 3/0683  
 174/51  
 3,093,703 A 6/1963 Zavertnik  
 D201,183 S 5/1965 Sanders  
 3,585,963 A 6/1971 Hiszpanski  
 3,703,303 A 11/1972 Eidelberg  
 5,165,735 A 11/1992 Nardi et al.  
 D339,792 S 9/1993 Nardi  
 D339,793 S 9/1993 Nardi et al.  
 5,704,400 A 1/1998 Eldridge  
 5,799,984 A 9/1998 Reynolds, Jr.  
 D418,210 S 12/1999 Roesch  
 6,034,326 A 3/2000 Jorgensen  
 6,262,369 B1 7/2001 Marik et al.  
 6,328,344 B1 12/2001 Tozaki et al.  
 6,722,703 B2 4/2004 Takayanagi  
 6,797,877 B1 \* 9/2004 Burnette ..... H02G 3/0683  
 138/177  
 D531,019 S 10/2006 Plumer  
 7,201,403 B2 4/2007 Takayanagi et al.  
 7,338,092 B1 3/2008 Cicconi, III  
 7,387,318 B2 6/2008 Yoshida  
 7,438,328 B2 10/2008 Mori et al.  
 D581,877 S \* 12/2008 Kiely ..... D13/133  
 D600,651 S \* 9/2009 Smith ..... D13/133  
 D601,094 S \* 9/2009 Smith ..... D13/133  
 7,614,665 B2 11/2009 Hartmann  
 D635,520 S \* 4/2011 Kiely ..... D13/133  
 8,113,547 B2 2/2012 Andre  
 D668,618 S 10/2012 Smith  
 D681,159 S 4/2013 Ben-Horin et al.  
 D690,192 S 9/2013 Takakuwa et al.  
 D702,542 S 4/2014 Smith  
 8,782,872 B2 7/2014 Lin et al.  
 D745,382 S 12/2015 Faria et al.  
 D749,047 S 2/2016 Smith  
 D754,303 S 4/2016 Smith  
 D770,615 S 11/2016 Chauvette

D771,569 S 11/2016 Smith  
 D774,628 S 12/2016 Provenzano  
 9,523,454 B2 12/2016 Schutte et al.  
 D779,315 S 2/2017 Hinkle  
 D782,621 S 3/2017 Smith  
 D787,648 S 5/2017 Smith  
 D788,043 S \* 5/2017 Smith ..... D13/151  
 9,705,295 B1 7/2017 Smith  
 D822,180 S 7/2018 Rolston  
 10,056,746 B1 \* 8/2018 Smith ..... H01R 4/643  
 2006/0151995 A1 7/2006 Saarem et al.  
 2010/0279530 A1 11/2010 Auray  
 2012/0086196 A1 4/2012 Smith  
 2012/0205909 A1 8/2012 Bird  
 2017/0356580 A1 12/2017 Huang  
 2018/0323591 A1 \* 11/2018 Smith ..... H02G 3/0616

FOREIGN PATENT DOCUMENTS

EP 1004805 A2 5/2000  
 EP 1722146 B1 10/2007  
 EP 2246607 A1 11/2010

OTHER PUBLICATIONS

“Snap2It® Connectors with the Widest Cable Ranges,” Idea Digital Content, ideadigitalcontent.com, brochure; 2006; whole document.  
 “Bridgeport Fittings” Mighty-Align EMT Slip Coupling, dated Jul. 17, 2017, [online], [site visited Aug. 14, 2018]; Available from Internet, URL: <https://www.prlog.org/12652655-bridgeport-fittings-mighty-align-emt-slip-soupling-allows-emt-conduit-to-be-joined-in-seconds.html> (Year: 2017).  
 Watts LFLA845 Pipe Nipple, 1/2-inch x6-inch, dated Apr. 23, 2011, [online], [site visited Oct. 3, 2018]. Available from Internet, URL: <https://www.amazon.com/dp/B004VT2XOM> (year: 2011).  
 Halex 1 in. Electric Metallic Tube (EMT) Set-Screw Coupling, dated May 6, 2015/[online], [site visited, Oct. 3, 2018]. Available from Internet, URL: <https://www.homedepot.com/p/Halex-1-in-Electric-Metallic-Tube-EMT-Set-Screw-Coupling-62810/202241090> (year: 2015).

\* cited by examiner

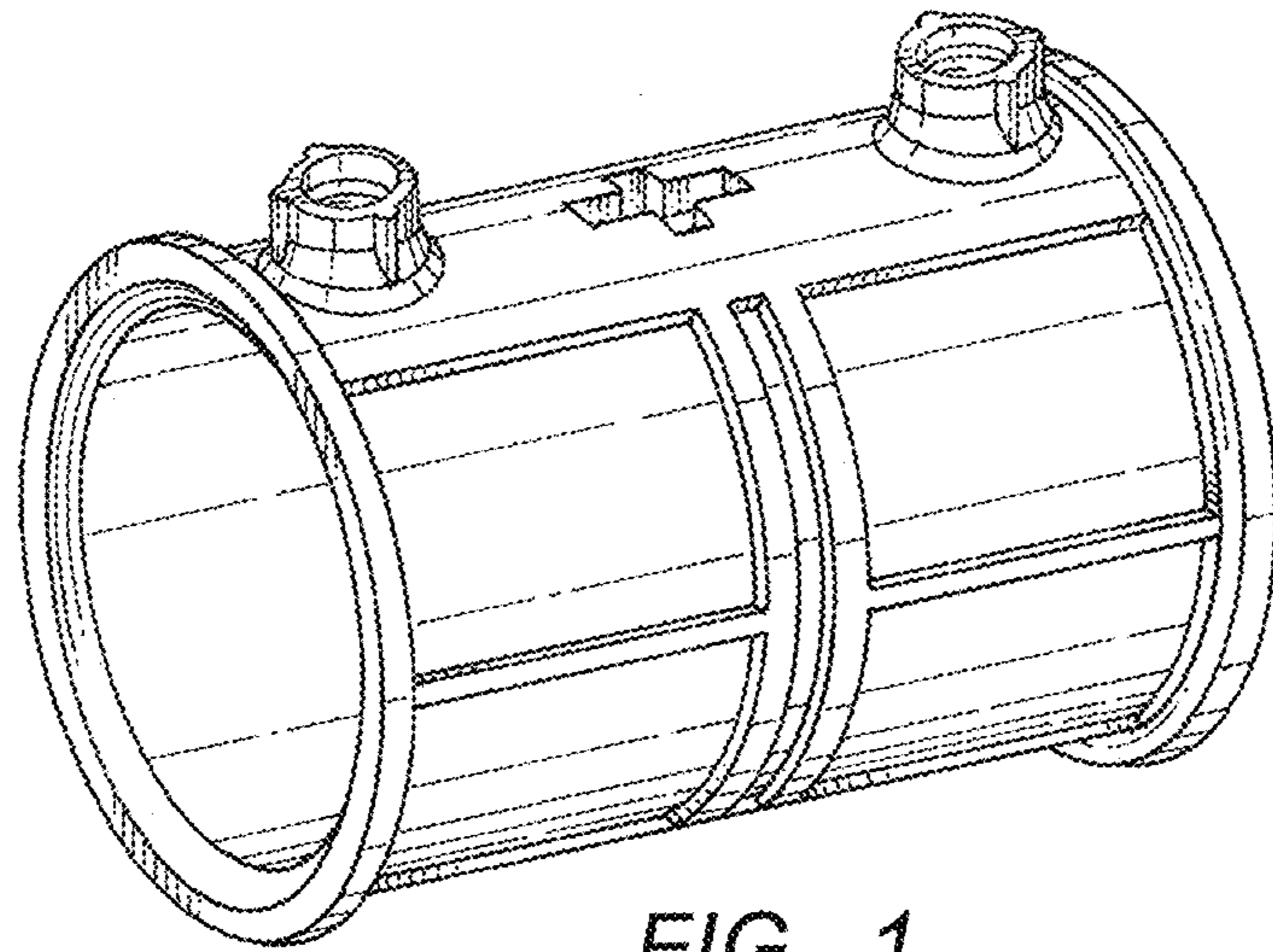


FIG. 1

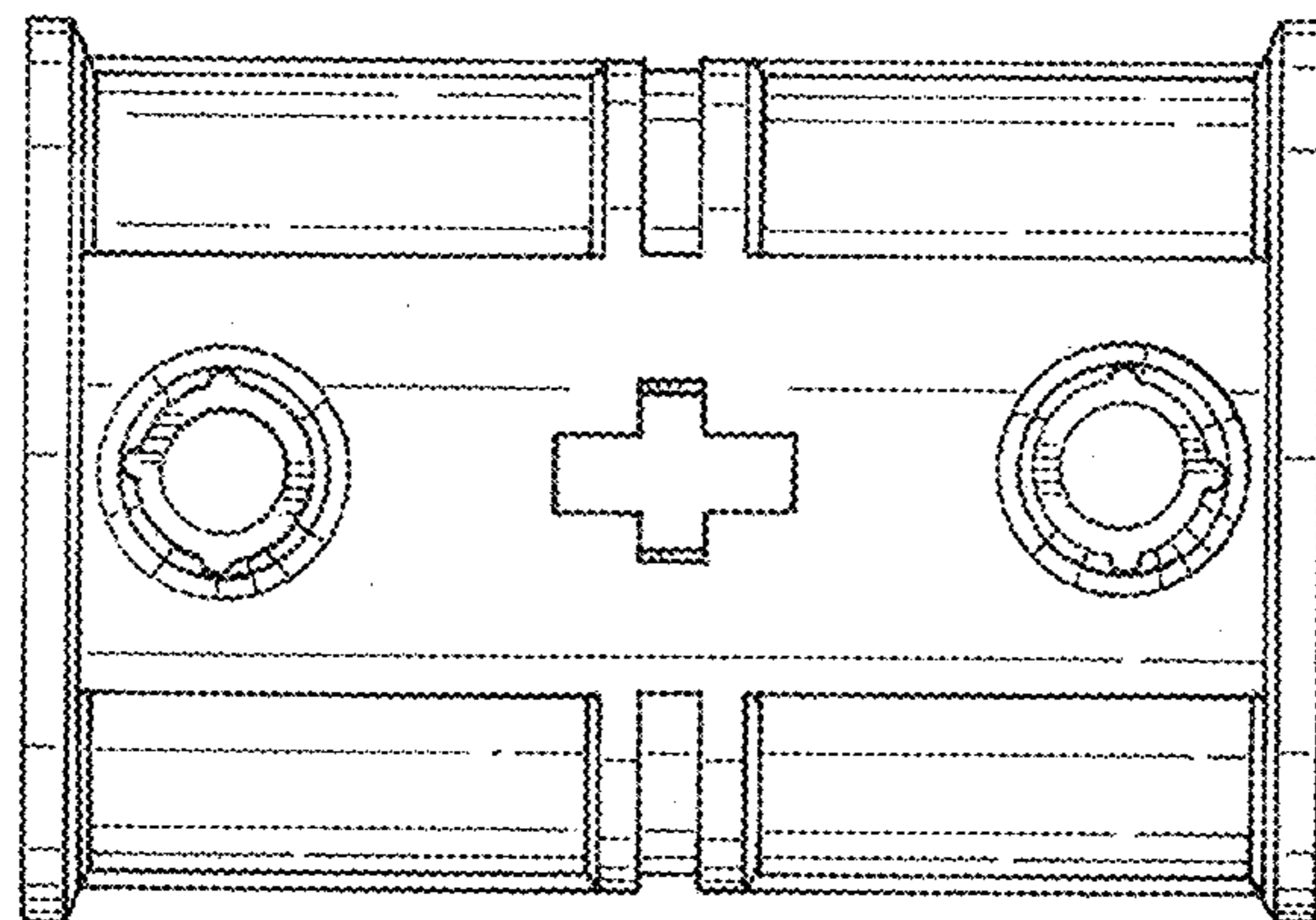


FIG. 2

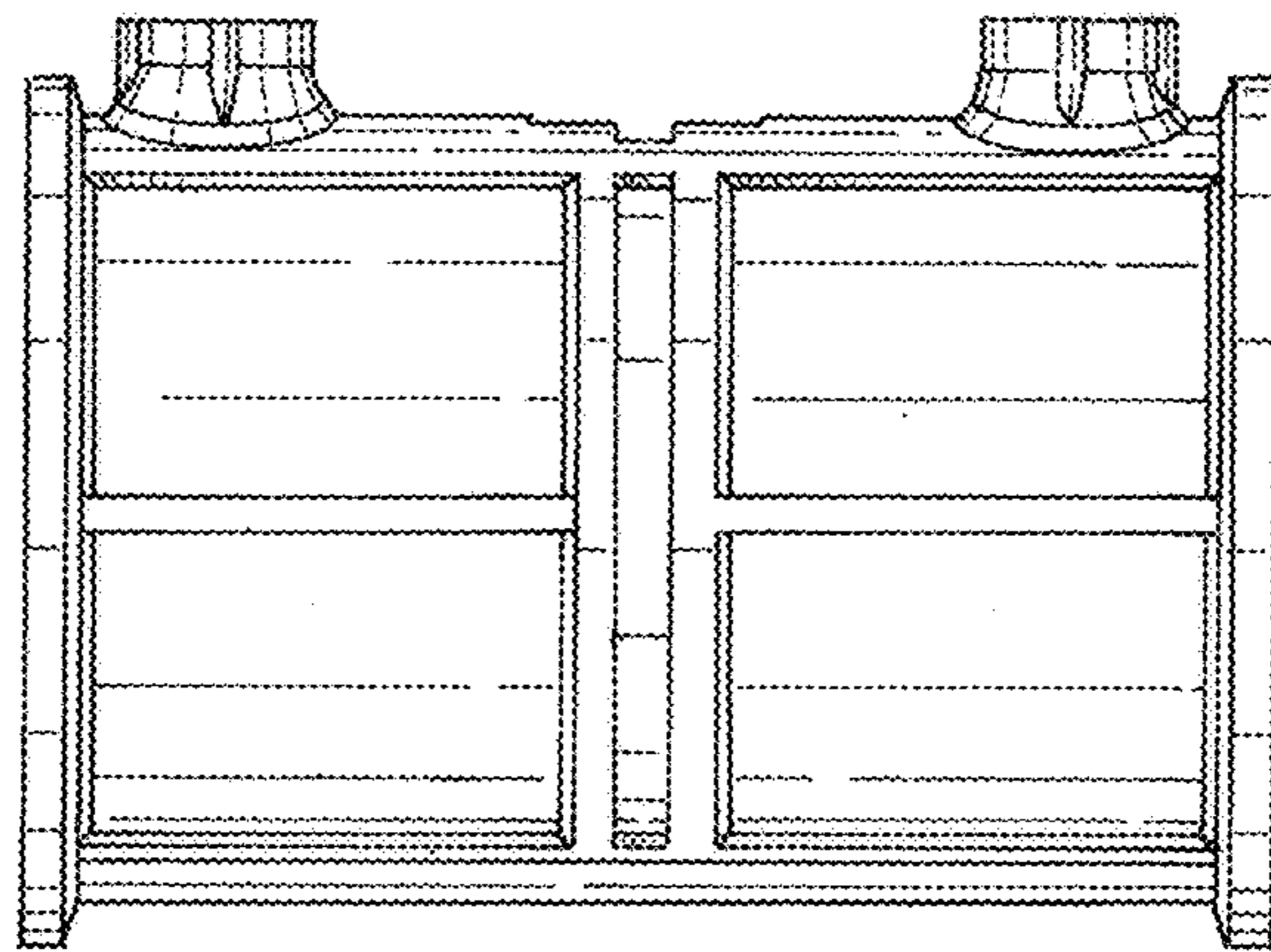


FIG. 3

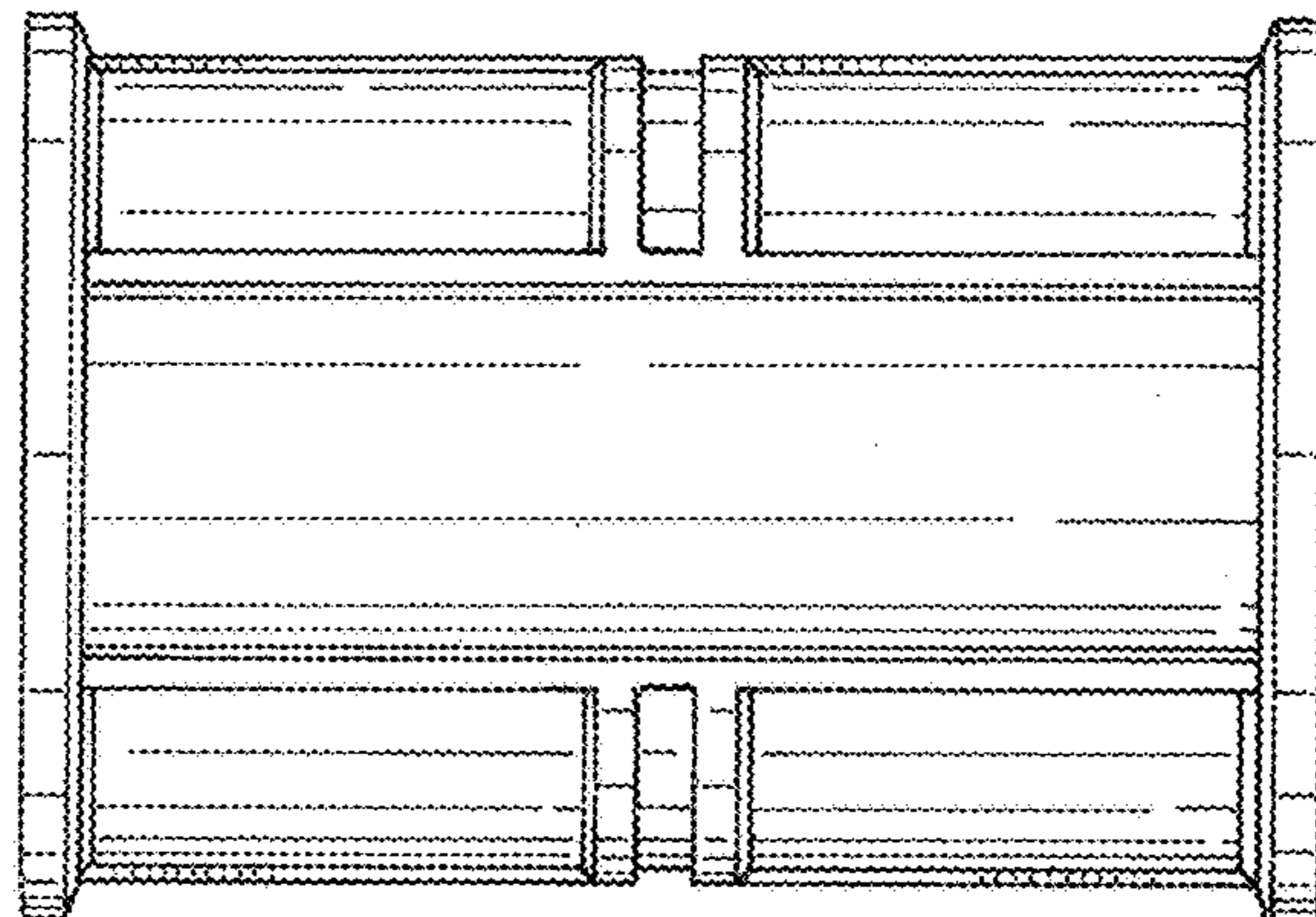


FIG. 4

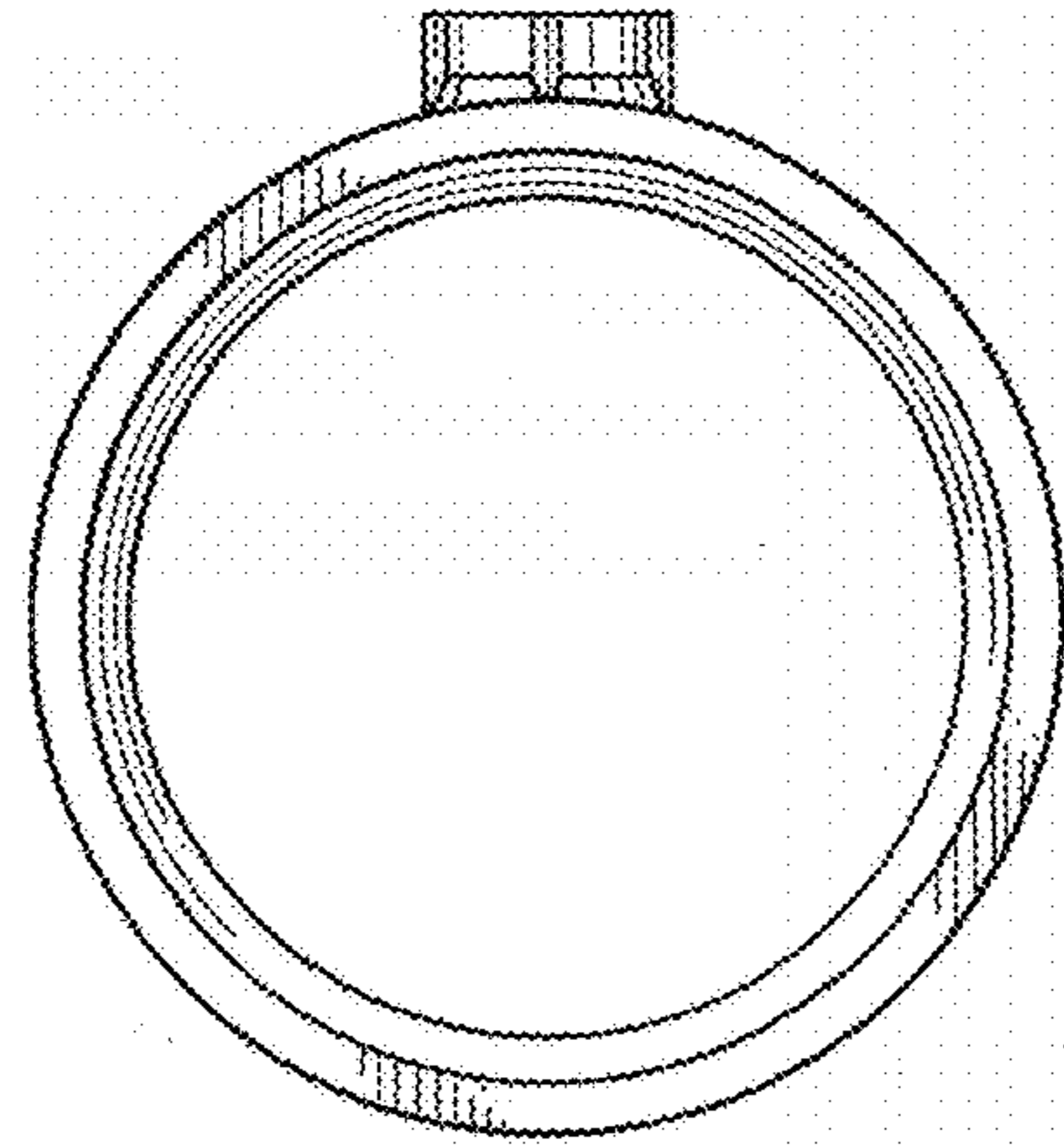


FIG. 5

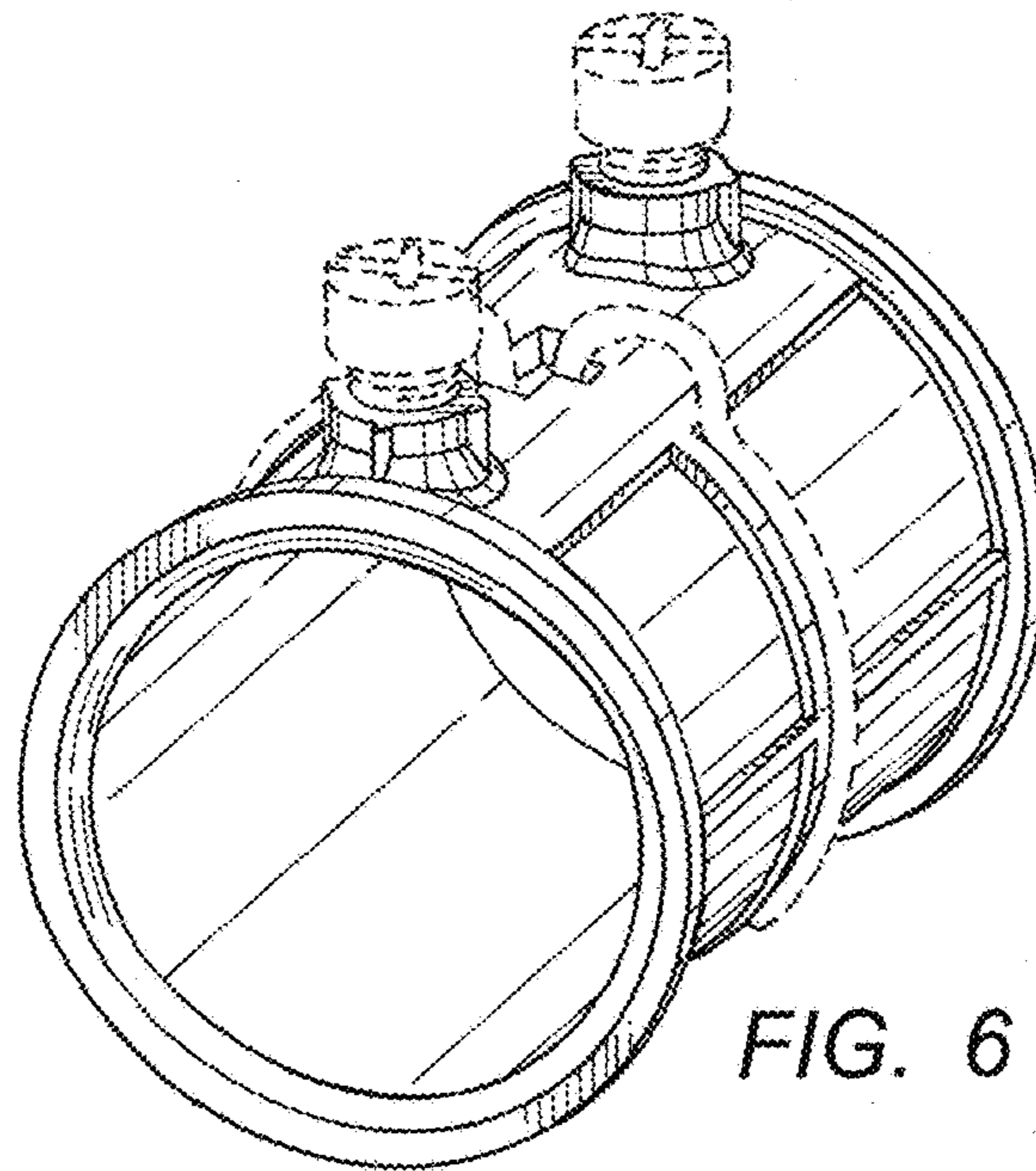


FIG. 6