



US00D843949S

(12) **United States Design Patent**
Lim

(10) **Patent No.:** **US D843,949 S**

(45) **Date of Patent:** **** Mar. 26, 2019**

(54) **CABLE CONNECTING TERMINAL FOR A VEHICLE**

13/627; H01R 13/631; H01R 13/642;
H01R 24/68; H01R 24/70; H01R 24/78;
H01R 25/00

(71) Applicants: **JS AUTOMOTIVE INC.**, Incheon
(KR); **Seok Bum Lim**, Siheung-si (KR)

See application file for complete search history.

(72) Inventor: **Seok Bum Lim**, Siheung-si (KR)

(56) **References Cited**

(73) Assignees: **JS AUTOMOTIVE INC.**, Incheon
(KR); **Seok Bum Lim**, Siheung-si,
Gyeonggi-Do (KR)

U.S. PATENT DOCUMENTS

(**) Term: **15 Years**

D336,891	S	*	6/1993	Sato	D13/133
D464,318	S	*	10/2002	Togashi	D13/133
D621,368	S	*	8/2010	Lee	D13/154
D724,543	S	*	3/2015	Chen	D13/154
D781,239	S	*	3/2017	Ikeda	D13/154
2017/0047677	A1	*	2/2017	Bhagyanathan Sathianathan	H01R 13/113

(21) Appl. No.: **29/637,747**

* cited by examiner

(22) Filed: **Feb. 21, 2018**

Primary Examiner — Daniel D Bui

(51) **LOC (11) Cl.** **13-03**

(74) *Attorney, Agent, or Firm* — Rabin & Berdo, P.C.

(52) **U.S. Cl.**

(57) **CLAIM**

USPC **D13/154**; D13/147

The ornamental design for a cable connecting terminal for a vehicle, as shown and described.

(58) **Field of Classification Search**

DESCRIPTION

USPC D13/133, 154, 147, 184, 199
CPC H01R 9/09; H01R 9/091; H01R 9/098;
H01R 9/22; H01R 9/24; H01R 9/2408;
H01R 9/2691; H01R 9/28; H01R 4/18;
H01R 13/02; H01R 13/15; H01R 13/20;
H01R 13/213; H01R 13/24; H01R
13/2428; H01R 13/2442; H01R 13/26;
H01R 13/33; H01R 13/42; H01R
13/4223; H01R 13/426; H01R 13/432;
H01R 13/506; H01R 13/58; H01R 13/64;
H01R 13/28; H01R 13/502; H01R

FIG. 1 is a perspective view of a cable connecting terminal for a vehicle showing my new design;
FIG. 2 is a front elevational view thereof;
FIG. 3 is a rear elevational view thereof;
FIG. 4 is a left side elevational view thereof;
FIG. 5 is a right side elevational view thereof;
FIG. 6 is a top plan view thereof; and,
FIG. 7 is a bottom plan view thereof.

1 Claim, 7 Drawing Sheets

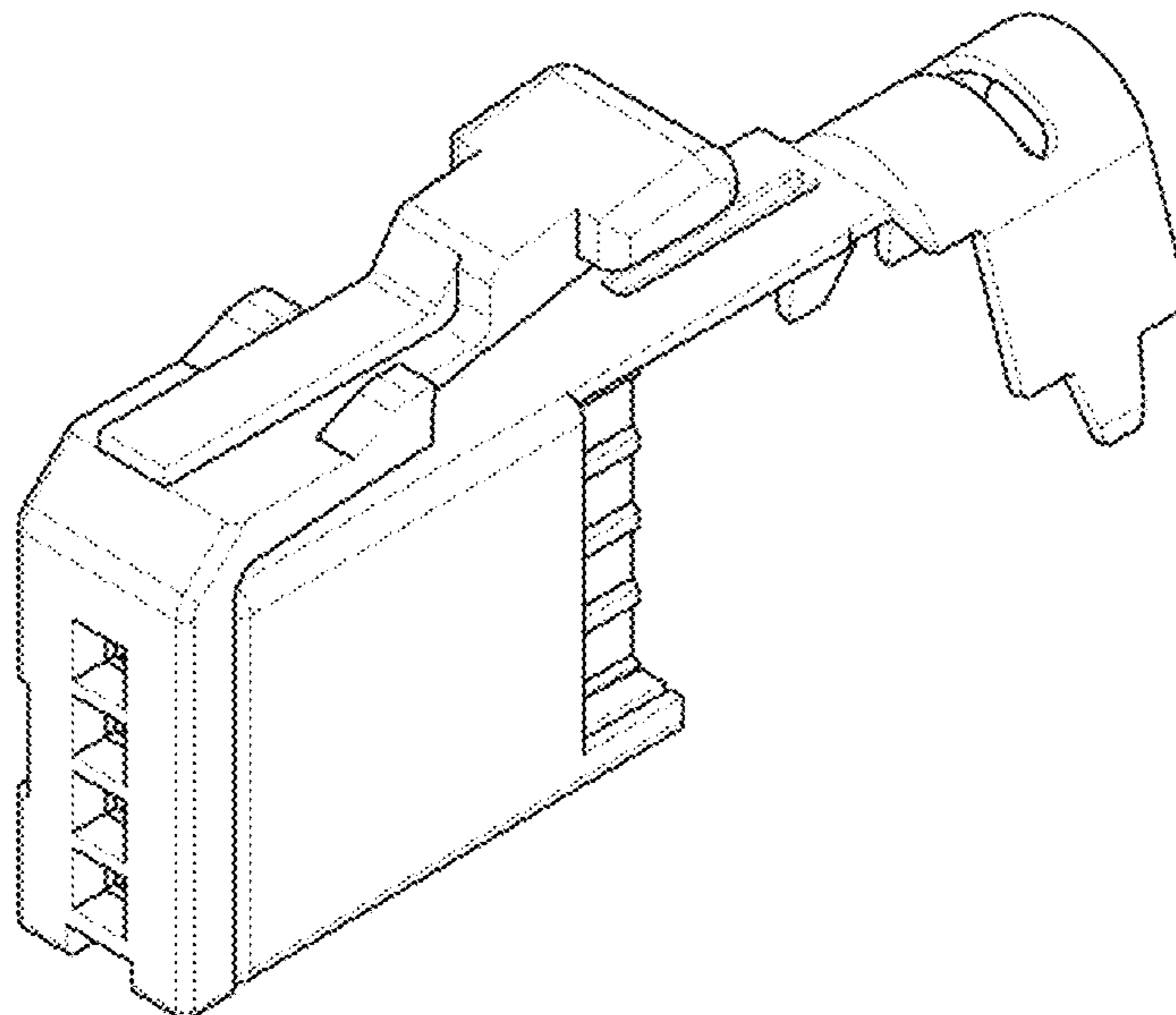


FIG. 1

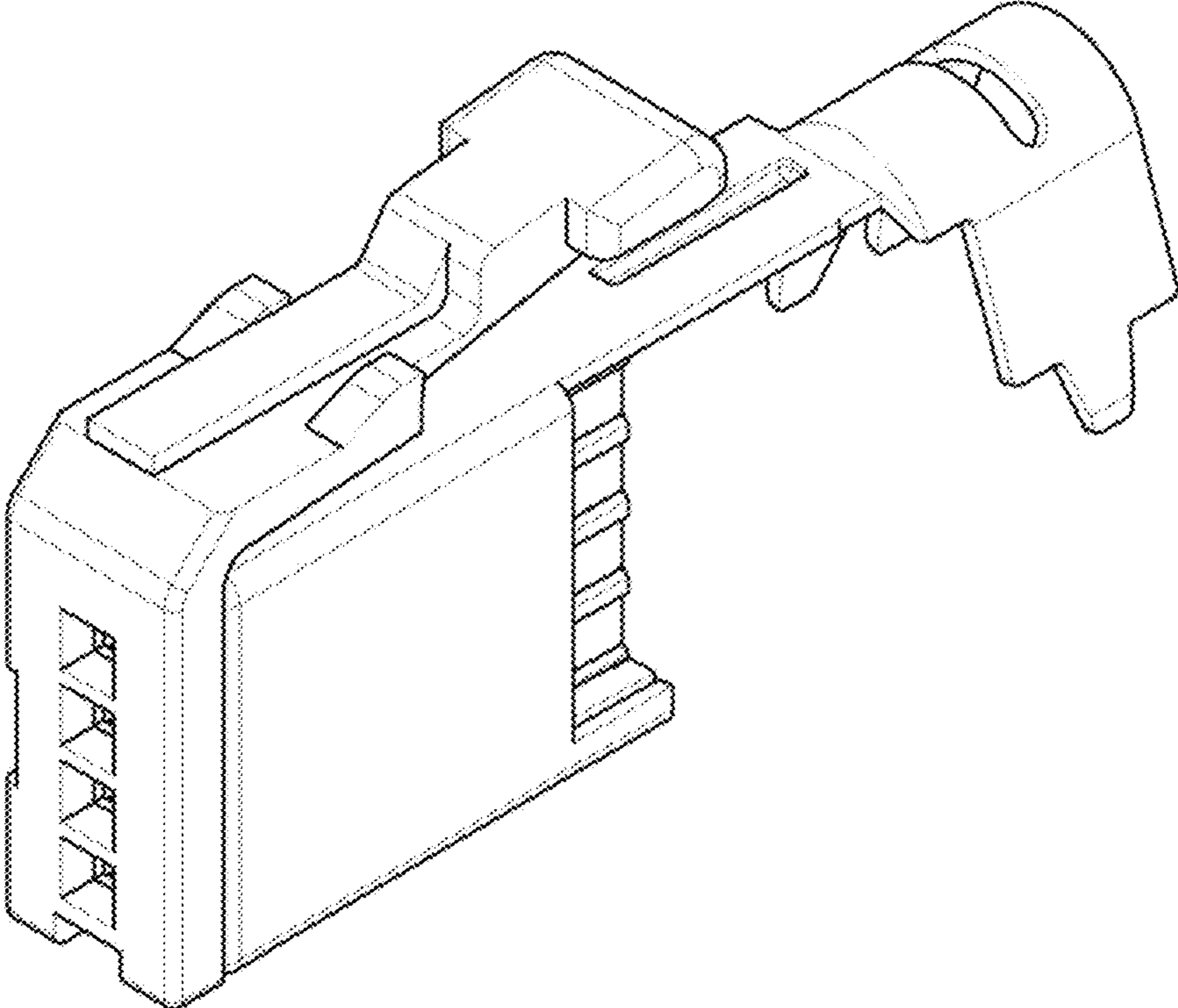


FIG. 2

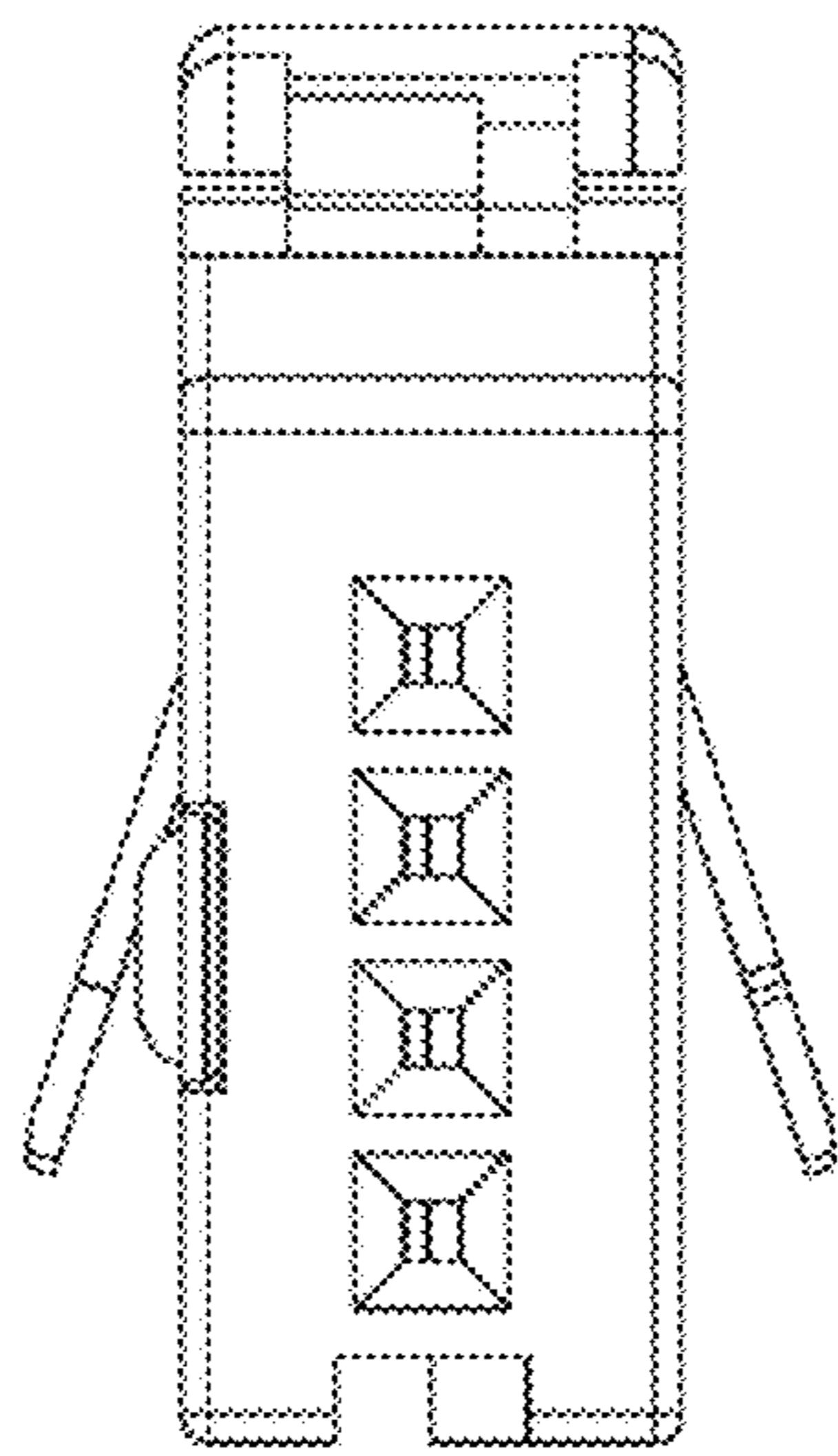


FIG. 3

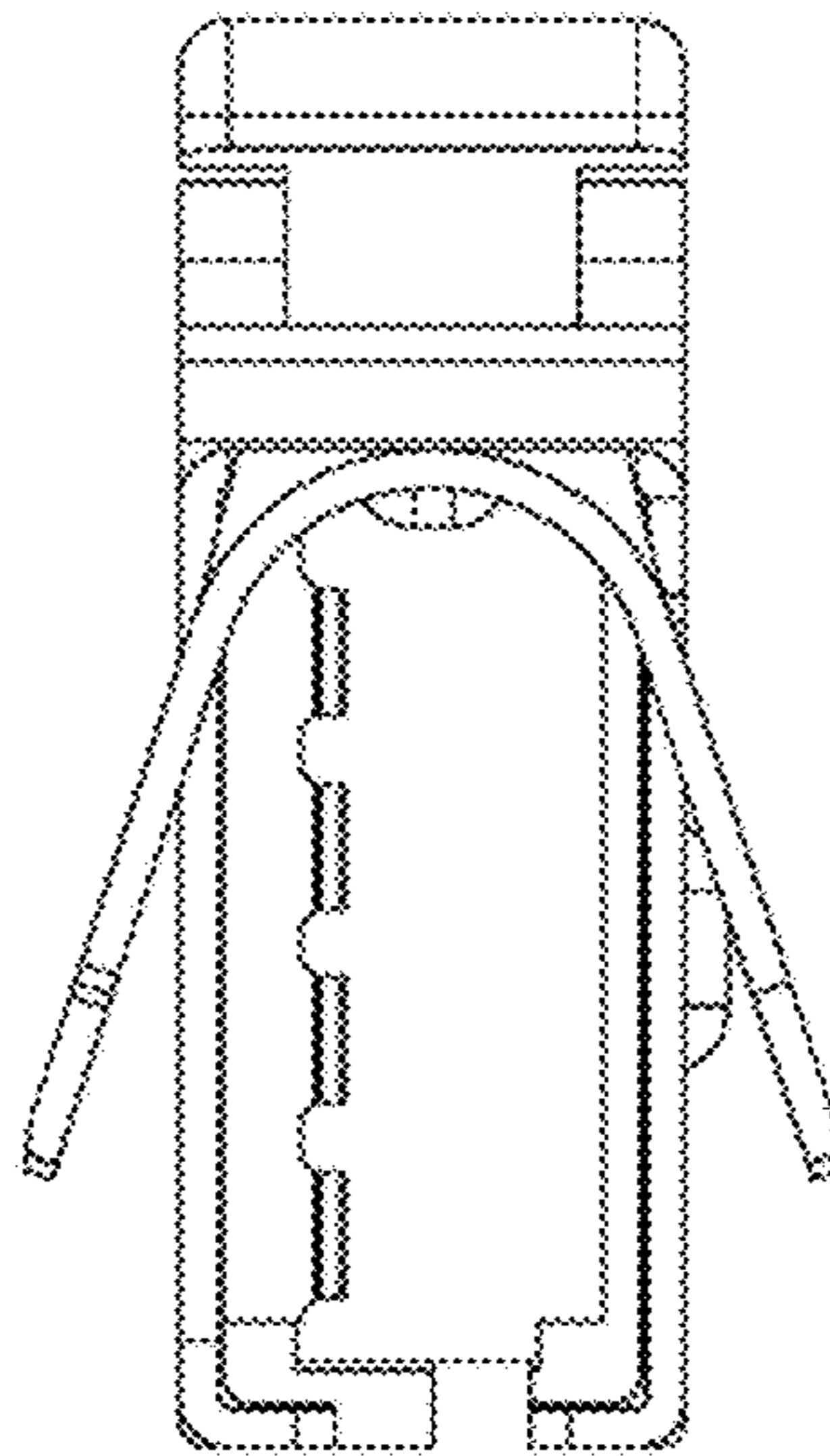


FIG. 4

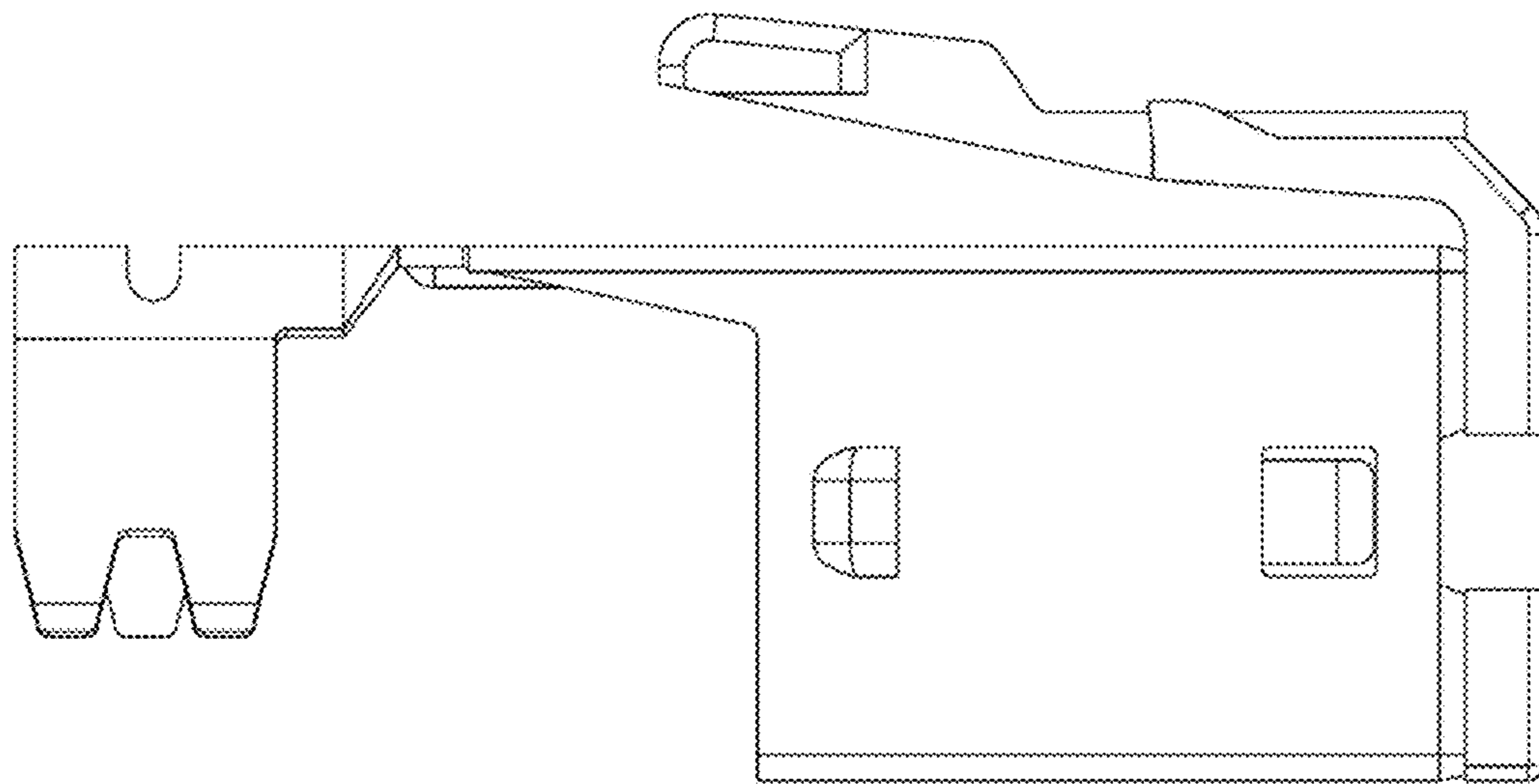


FIG. 5

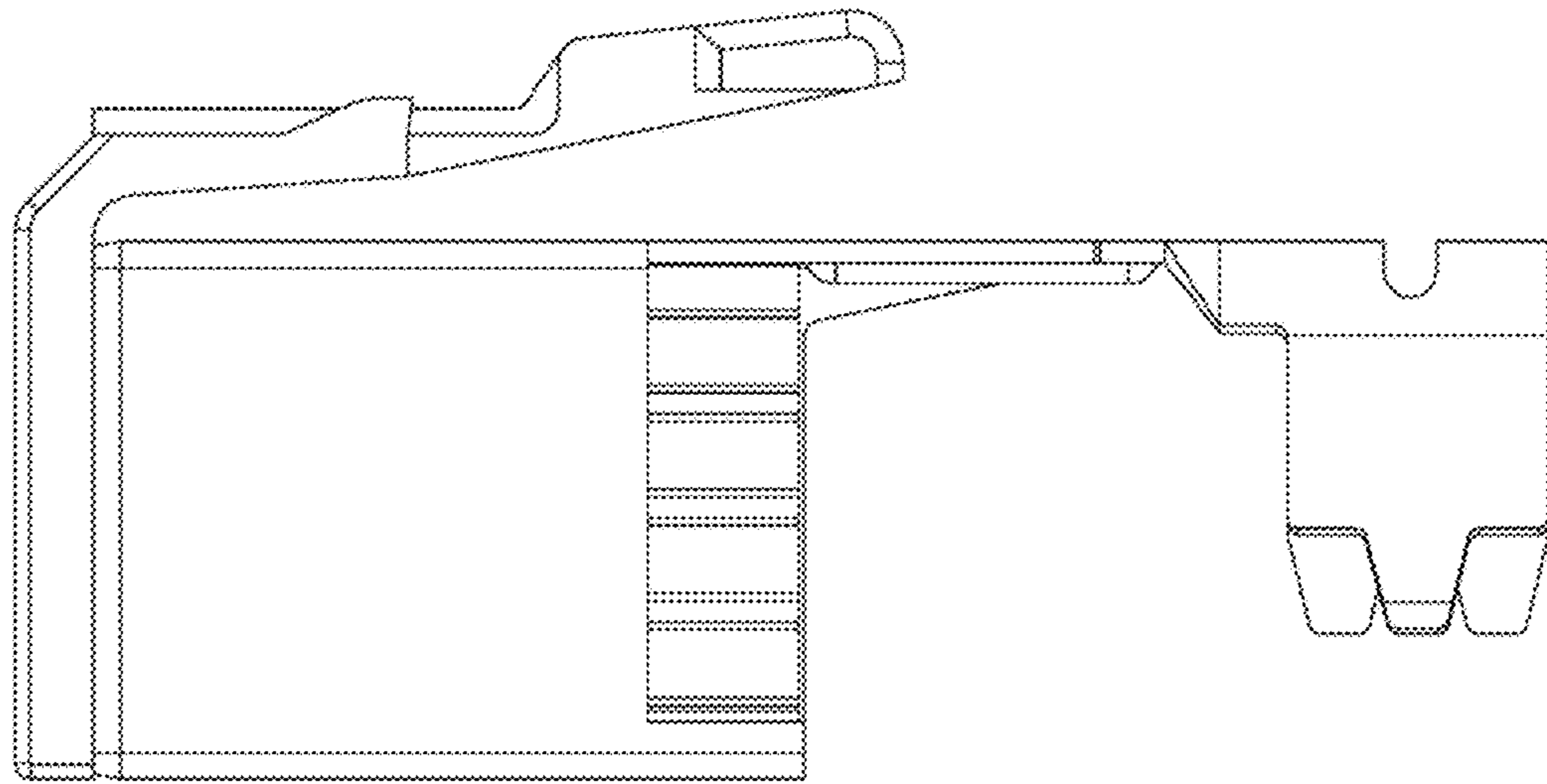


FIG. 6

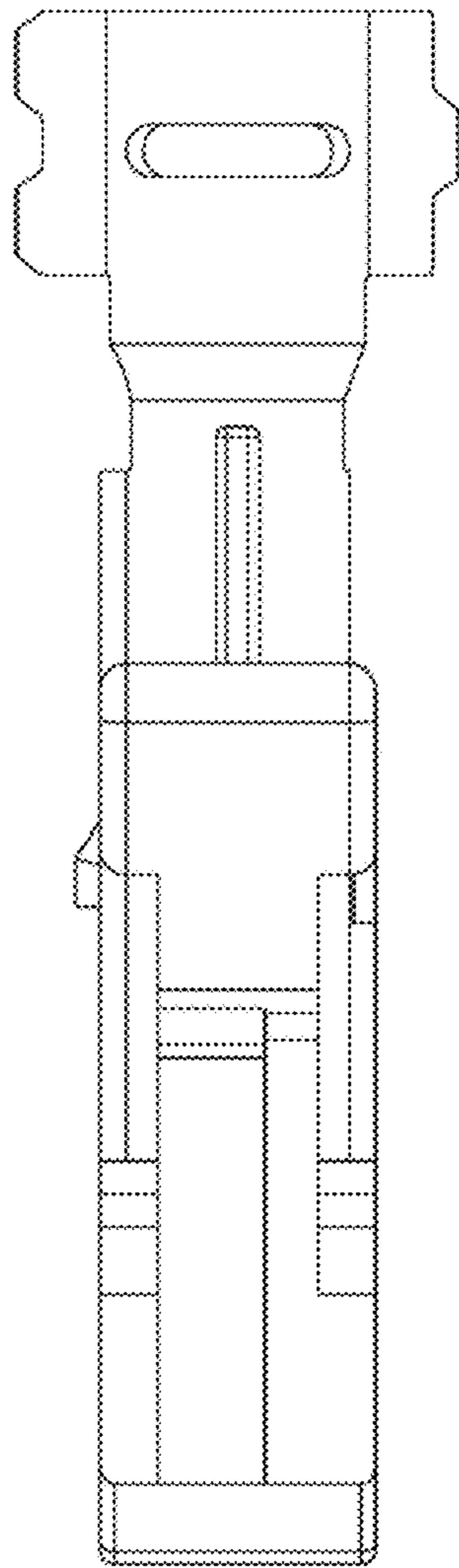


FIG. 7

