



US00D843948S

(12) **United States Design Patent** (10) **Patent No.:** **US D843,948 S**
Akana et al. (45) **Date of Patent:** **** Mar. 26, 2019**

(54) **CONNECTOR**

(71) Applicant: **Apple Inc.**, Cupertino, CA (US)

(72) Inventors: **Jody Akana**, San Francisco, CA (US); **Molly Anderson**, San Francisco, CA (US); **Bartley K. Andre**, Palo Alto, CA (US); **Shota Aoyagi**, San Francisco, CA (US); **Anthony Michael Ashcroft**, San Francisco, CA (US); **Jeremy Bataillou**, San Francisco, CA (US); **Daniel J. Coster**, San Francisco, CA (US); **Daniele De Iuliis**, San Francisco, CA (US); **M. Evans Hankey**, Cupertino, CA (US); **Julian Hoenig**, San Francisco, CA (US); **Richard P. Howarth**, San Francisco, CA (US); **Jonathan P. Ive**, San Francisco, CA (US); **Duncan Robert Kerr**, San Francisco, CA (US); **Matthew Dean Rohrbach**, San Francisco, CA (US); **Peter Russell-Clarke**, San Francisco, CA (US); **Benjamin Andrew Shaffer**, San Jose, CA (US); **Mikael Silvanto**, San Francisco, CA (US); **Christopher J. Stringer**, Woodside, CA (US); **Eugene Antony Whang**, San Francisco, CA (US); **Rico Zörkendörfer**, San Francisco, CA (US)

(73) Assignee: **Apple Inc.**, Cupertino, CA (US)

(**) Term: **15 Years**

(21) Appl. No.: **29/643,441**

(22) Filed: **Apr. 9, 2018**

Related U.S. Application Data

(63) Continuation of application No. 29/601,254, filed on Apr. 20, 2017, now Pat. No. Des. 817,889, which is (Continued)

(51) **LOC (11) Cl.** **13-03**

(52) **U.S. Cl.**
USPC **D13/147**

(58) **Field of Classification Search**
USPC **D13/133, 146, 147, 154, 184, 199;**
D14/432, 433, 435.1

(Continued)

(56) **References Cited**

U.S. PATENT DOCUMENTS

4,129,352 A 12/1978 Iizuka
D304,028 S 10/1989 Matsuzaki

(Continued)

FOREIGN PATENT DOCUMENTS

JP D1459403 1/2013
JP 1524453 5/2015

Primary Examiner — Daniel D Bui

(74) *Attorney, Agent, or Firm* — Saidman DesignLaw Group, LLC

(57) **CLAIM**

The ornamental design for a connector, as shown and described.

DESCRIPTION

FIG. 1 is a perspective view of a connector showing our new design;

FIG. 2 is a front view thereof, the rear view being a mirror image;

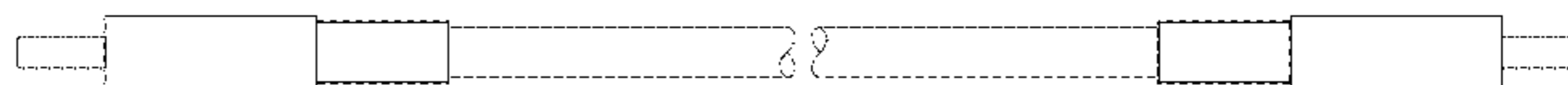
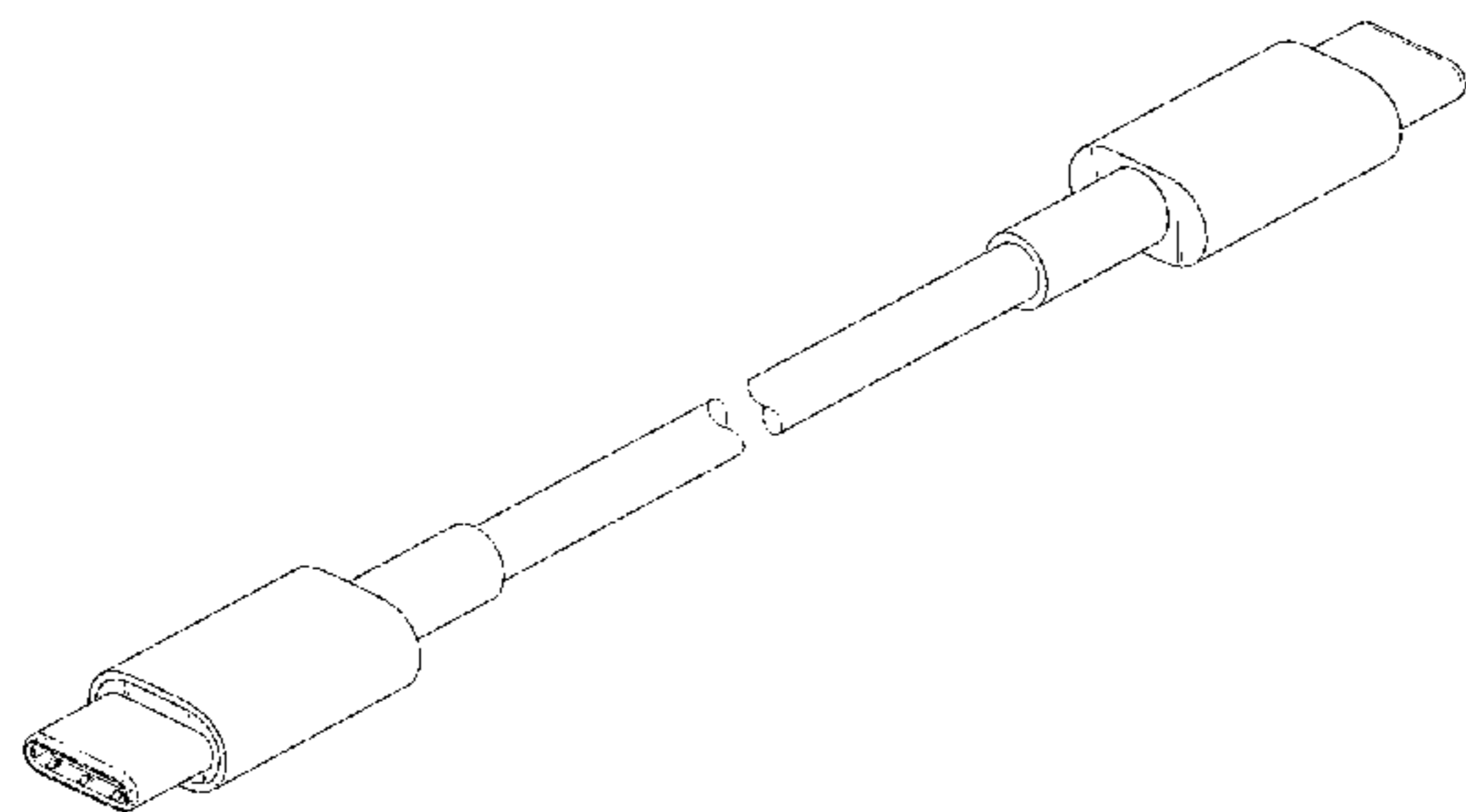
FIG. 3 is a top view thereof, the bottom view being a mirror image; and,

FIG. 4 is a left side view thereof, the right side view being a mirror image.

The dot-dash broken lines on the cable portion represent indeterminate length.

The broken line in FIG. 4 drawing views is included for the purpose of illustrating unclaimed portions of the connector and forms no part of the claimed design.

1 Claim, 3 Drawing Sheets



Related U.S. Application Data

a continuation of application No. 29/519,786, filed on Mar. 8, 2015, now Pat. No. Des. 788,041.

(58) **Field of Classification Search**

CPC H01R 4/24; H01R 13/52; H01R 13/533; H01R 13/58; H01R 43/16; H01R 4/02; H01R 4/66; H01R 24/20; H01R 24/60; H01R 25/00; H01R 27/00; H01R 213/52; H01R 213/63; H01R 213/639; H01R 213/6477; H01R 213/648; H01R 13/5845; H01R 13/02; H01R 13/03; H01R 13/405; H01R 13/648; H01R 13/506; H01R 13/516; H01R 12/57; H01R 13/6585; H01R 2107/00; H01R 13/6581; B29C 70/84; B29C 70/88; B29C 70/885

See application file for complete search history.

(56) **References Cited**

U.S. PATENT DOCUMENTS

D319,043 S 8/1991 Hayashi et al.
 D319,813 S 9/1991 Kozono
 D333,293 S 2/1993 Ashida
 D363,700 S 10/1995 Buongervino et al.
 D399,047 S 10/1998 Yoshida et al.
 D406,816 S 3/1999 Hopper et al.
 D416,065 S 11/1999 Dunn
 D436,927 S 1/2001 Hogan
 D487,724 S 3/2004 Hsiao
 D488,130 S 4/2004 Hsiao
 D521,936 S 5/2006 Novotney et al.
 D522,463 S 6/2006 Novotney et al.
 7,094,089 B2 8/2006 Andre et al.
 D546,290 S 7/2007 Yamada
 D552,604 S 10/2007 Andre et al.
 D572,197 S 7/2008 Chawgo et al.
 D579,876 S 11/2008 Novotney et al.
 D580,436 S 11/2008 Kiyomiya et al.
 D582,850 S 12/2008 Andre
 D600,652 S 9/2009 Hong et al.
 D617,286 S 6/2010 Montena
 D619,963 S 7/2010 Hou
 D621,785 S 8/2010 Nickol
 D636,337 S 4/2011 Smith et al.
 D638,797 S 5/2011 Ohmori
 D647,480 S 10/2011 Ohmori
 8,305,750 B2 11/2012 Hsieh
 D683,703 S 6/2013 Akana et al.

D684,538 S 6/2013 Akana et al.
 D684,539 S 6/2013 Akana et al.
 D684,976 S 6/2013 Akana et al.
 8,454,388 B2 6/2013 Song
 8,456,826 B2 6/2013 Mao
 D686,217 S 7/2013 Andre
 D692,390 S 10/2013 Smith et al.
 D694,243 S 11/2013 Akana et al.
 D699,188 S 2/2014 Akana et al.
 D703,145 S 4/2014 Akana et al.
 D705,175 S 5/2014 Chu
 D705,738 S 5/2014 Schmidt et al.
 D707,180 S 6/2014 Yi et al.
 D707,181 S 6/2014 Schmidt et al.
 D707,680 S 6/2014 Akana et al.
 D707,681 S 6/2014 Akana et al.
 D707,689 S 6/2014 Billington
 D709,032 S 7/2014 Akana et al.
 D713,350 S 9/2014 Akana et al.
 D713,351 S 9/2014 Akana et al.
 D713,352 S 9/2014 Akana et al.
 D713,796 S 9/2014 Akana et al.
 D714,729 S 10/2014 Akana et al.
 D717,731 S 11/2014 Lee et al.
 D721,654 S 1/2015 Leem
 D731,434 S 6/2015 Akana et al.
 D732,035 S 6/2015 Akana et al.
 D733,142 S 6/2015 Solomon et al.
 D734,272 S 7/2015 Dang et al.
 D742,320 S 11/2015 Akana et al.
 D743,399 S 11/2015 Frank
 D744,428 S 12/2015 Rodriguez et al.
 D746,291 S 12/2015 Solomon et al.
 D746,780 S 1/2016 Akana et al.
 D788,041 S * 5/2017 Akana D13/147
 D817,889 S * 5/2018 Akana D13/147
 2007/0229025 A1 10/2007 Tsai et al.
 2013/0021741 A1 1/2013 Huang
 2015/0194768 A1 7/2015 Little et al.
 2015/0340815 A1 11/2015 Gao et al.
 2016/0043517 A1 2/2016 Wu et al.
 2016/0079689 A1 3/2016 Wu et al.
 2016/0079714 A1 3/2016 Wu et al.
 2016/0093987 A1 3/2016 Wu et al.
 2016/0141803 A1 5/2016 Hsu
 2016/0141822 A1 5/2016 Hijazi et al.
 2016/0149338 A1 5/2016 Xing et al.
 2016/0172791 A1 6/2016 Fan et al.
 2016/0172795 A1 6/2016 Zhou et al.
 2016/0172804 A1 6/2016 Wu et al.
 2016/0204562 A1 7/2016 Chen et al.
 2016/0226199 A1 8/2016 Zhou et al.

* cited by examiner

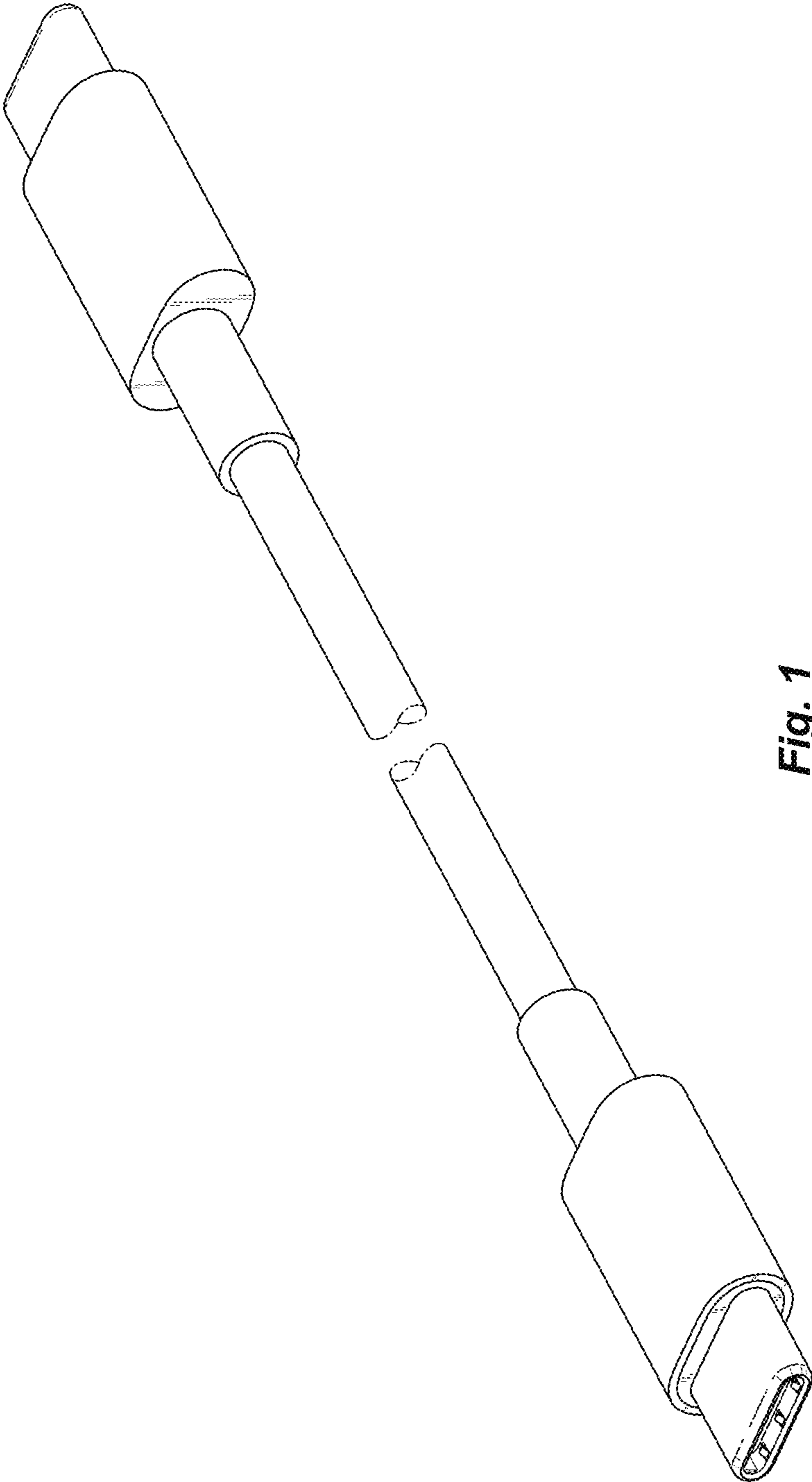


Fig. 1

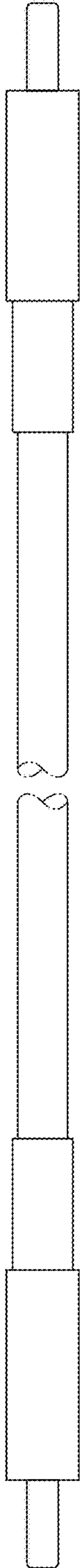


Fig. 2

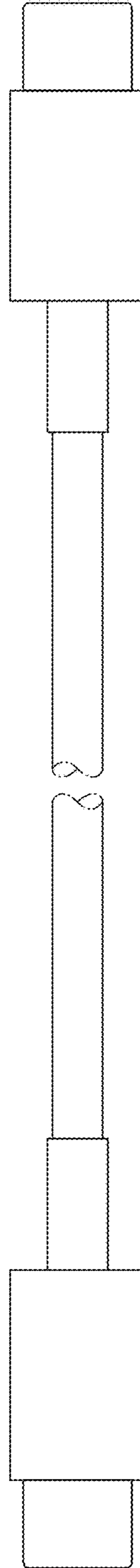


Fig. 3

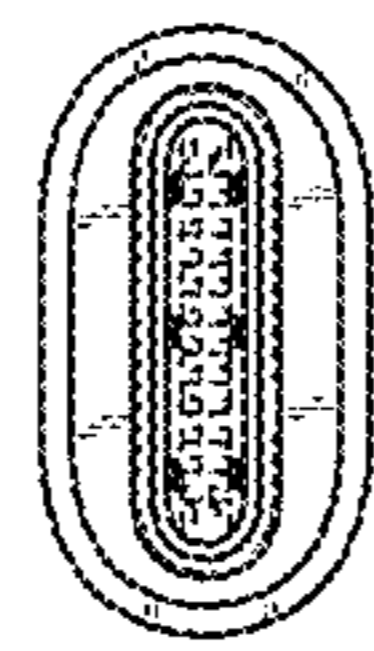


Fig. 4

UNITED STATES PATENT AND TRADEMARK OFFICE
CERTIFICATE OF CORRECTION

PATENT NO. : D843,948 S
APPLICATION NO. : 29/643441
DATED : March 26, 2019
INVENTOR(S) : Jody Akana et al.

Page 1 of 1

It is certified that error appears in the above-identified patent and that said Letters Patent is hereby corrected as shown below:

On the Title Page

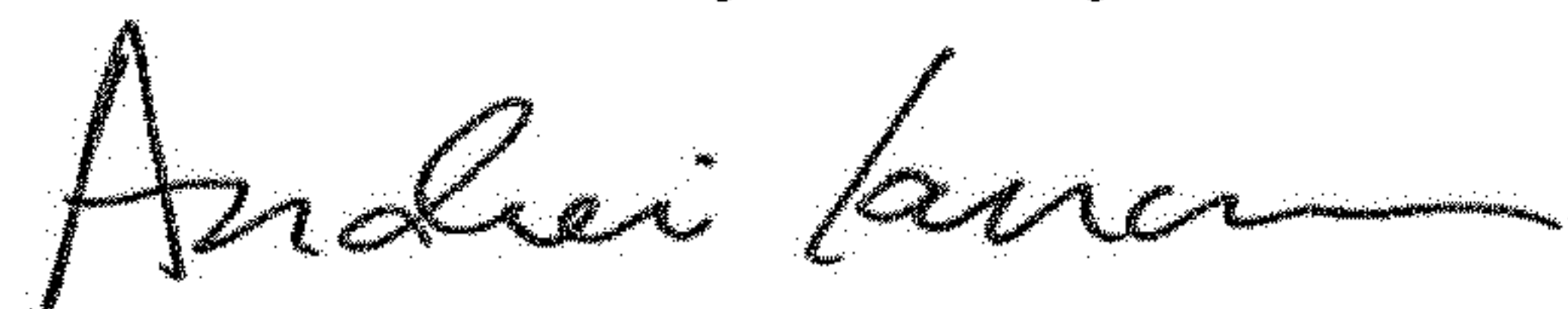
(72) Inventors:

- M. Evans Hankey, Cupertino, CA (US) -

Should read:

- M. Evans Hankey, San Francisco, CA (US) -

Signed and Sealed this
Seventh Day of May, 2019



Andrei Iancu
Director of the United States Patent and Trademark Office