



US00D843947S

(12) **United States Design Patent** (10) **Patent No.:** **US D843,947 S**
Chan et al. (45) **Date of Patent:** **** Mar. 26, 2019**

(54) **PLUG**
(71) Applicant: **Amphenol Corporation**, Wallingford, CT (US)
(72) Inventors: **David Chan**, Xiamen (CN); **Wonder Wang**, Xiamen (CN); **Bob Tang**, Xiamen (CN); **Martin Li**, Xiamen (CN); **Smith Wu**, Xiamen (CN); **Jason Si**, Toronto (CA); **Sam Kocsis**, Nashua, NH (US); **Ba Pham**, Toronto (CA); **Brian Kirk**, Amherst, NH (US)

D598,862 S 8/2009 Chen
D601,505 S 10/2009 Fukazawa et al.
D626,077 S 10/2010 Huang
D627,738 S 11/2010 Luo
D671,896 S 12/2012 Wang et al.
D680,497 S 4/2013 Lan et al.
D698,733 S 2/2014 Yokoyama

(Continued)

FOREIGN PATENT DOCUMENTS

CN 203574938 U 4/2014
TW D152287 S1 4/2012
TW D172199 S1 6/2014

(73) Assignee: **Amphenol Corporation**, Wallingford, CT (US)

(**) Term: **15 Years**

(21) Appl. No.: **29/638,190**

(22) Filed: **Feb. 26, 2018**

Related U.S. Application Data

(62) Division of application No. 29/575,279, filed on Aug. 23, 2016, now Pat. No. Des. 813,170.

(51) **LOC (11) Cl.** **13-03**

(52) **U.S. Cl.**
USPC **D13/147**

(58) **Field of Classification Search**
USPC D13/133, 146, 147, 154, 156, 184, 199;
D14/299, 432, 433, 434, 439
CPC H01R 12/64; H01R 12/71; H01R 13/5219;
H01R 13/6581; H01R 13/6596; H01R
13/6873; H01R 13/748
See application file for complete search history.

(56) **References Cited**

U.S. PATENT DOCUMENTS

D322,604 S 12/1991 Komatsu
D580,359 S 11/2008 Su et al.
D583,766 S 12/2008 Chiang

OTHER PUBLICATIONS

U.S. Appl. No. 29/637,624, filed Feb. 20, 2018, Kirk et al.
U.S. Appl. No. 29/636,248, filed Feb. 7, 2018, Chan et al.
U.S. Appl. No. 29/575,639, filed Aug. 26, 2016, Chan et al.

Primary Examiner — Daniel D Bui

(74) *Attorney, Agent, or Firm* — Wolf, Greenfield & Sacks, P.C.

(57) **CLAIM**

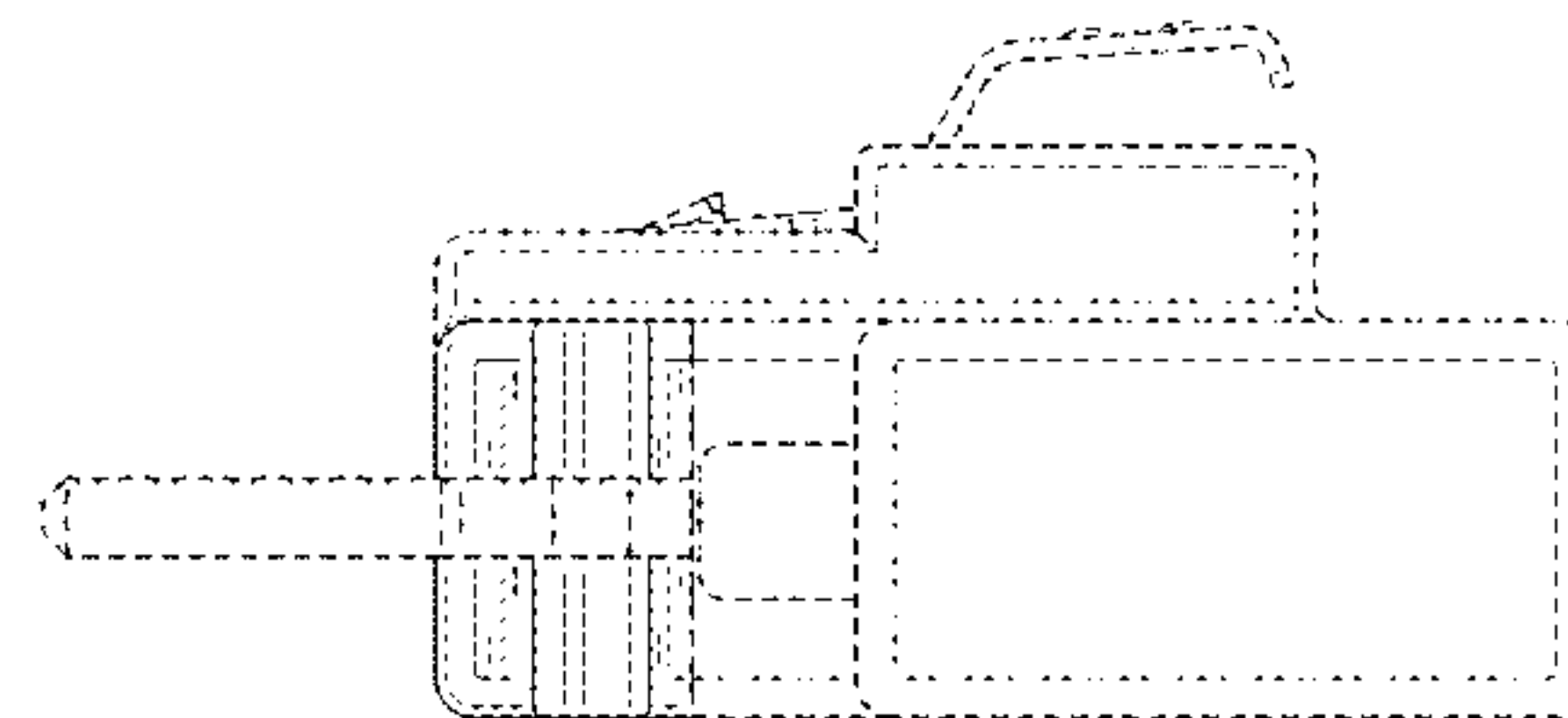
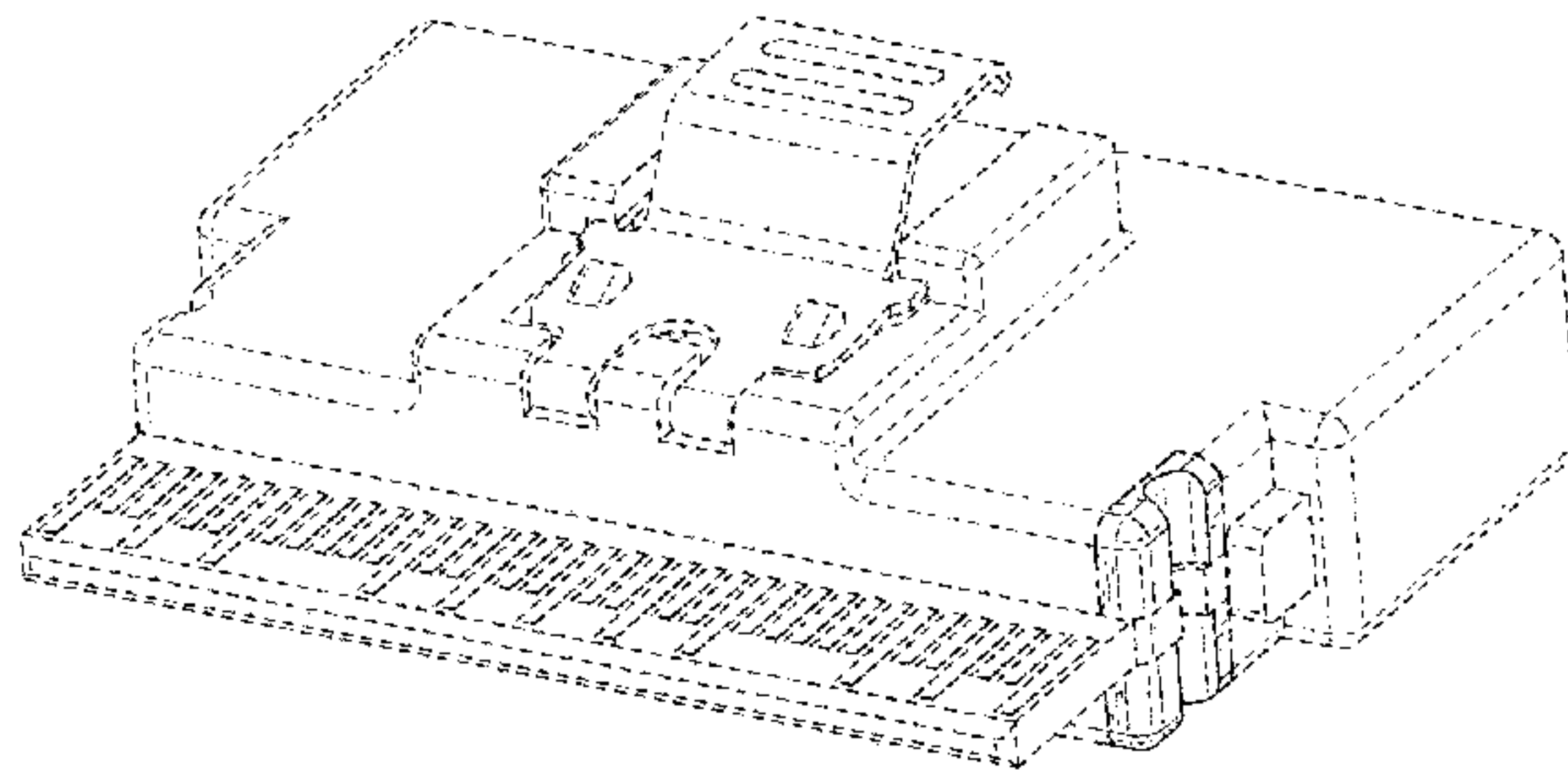
The ornamental design for a plug, as shown and described.

DESCRIPTION

FIG. 1 is a top, front, right side perspective view of a plug showing our new design;
FIG. 2 is a front elevation view thereof;
FIG. 3 is a rear elevation view thereof;
FIG. 4 is a left side elevation view thereof;
FIG. 5 is a right side elevation view thereof;
FIG. 6 is a top plan view thereof; and,
FIG. 7 is a bottom plan view thereof.

The dashed broken lines of the figures represent portions of the plug that form no part of the claimed design. The dash-dot broken lines define boundaries of the claimed design, and form no part of the claimed design.

1 Claim, 7 Drawing Sheets



(56)

References Cited

U.S. PATENT DOCUMENTS

D698,734 S	2/2014	Yokoyama	
D699,192 S	2/2014	Takenaga et al.	
D703,615 S	4/2014	Takenaga et al.	
D706,221 S	6/2014	Grant et al.	
D719,922 S	12/2014	Yokoyama	
D721,657 S	1/2015	Yamaguchi	
D722,026 S	2/2015	Yokoyama	
D726,657 S	4/2015	Takenaga et al.	
D729,173 S	5/2015	Fukumoto	
D812,013 S	3/2018	Kirk et al.	
D812,568 S	3/2018	Kirk et al.	
D812,569 S	3/2018	Kirk et al.	
D813,170 S *	3/2018	Chan	D13/147
D818,965 S	5/2018	Chan et al.	

* cited by examiner

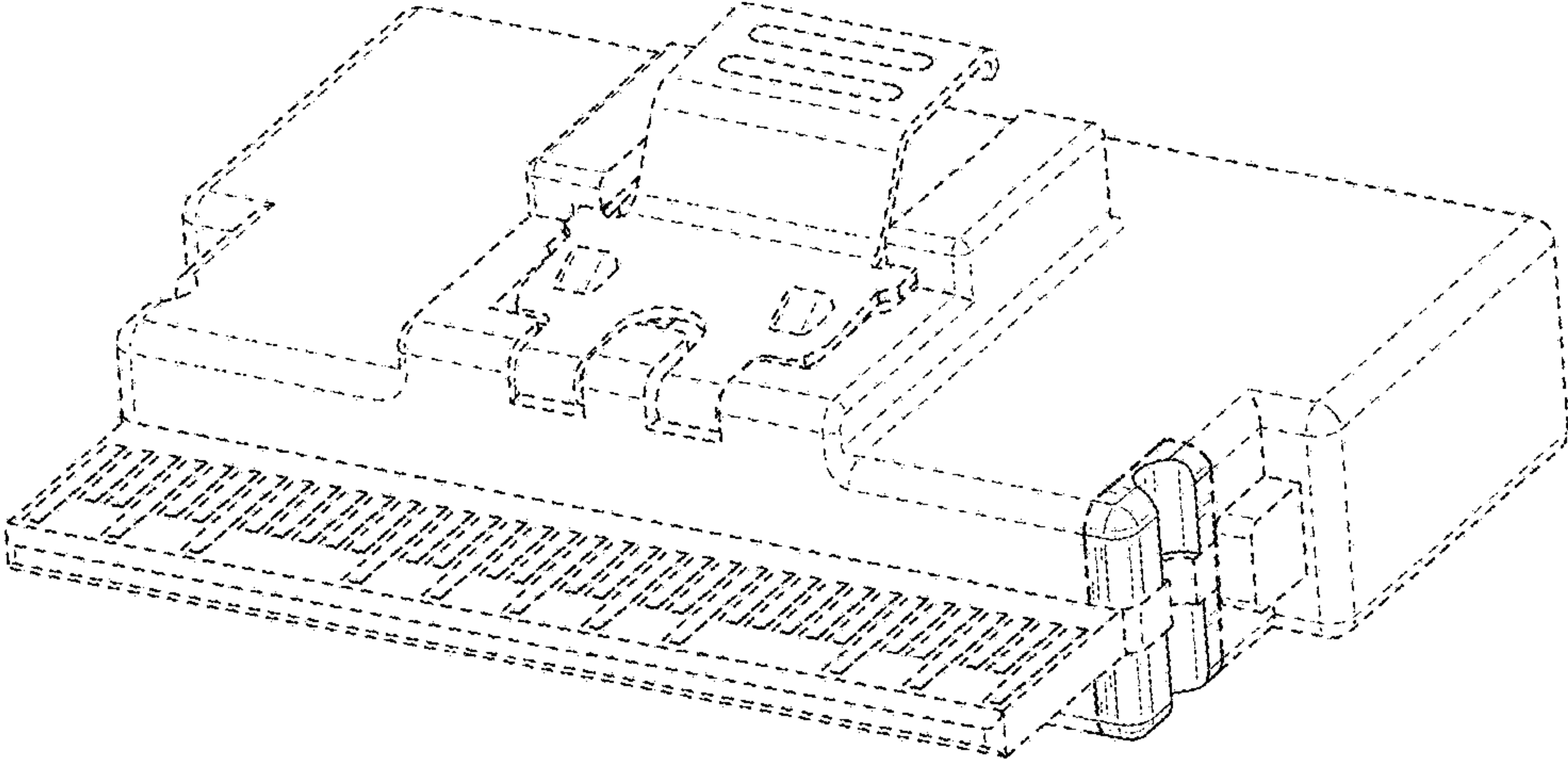


FIG. 1

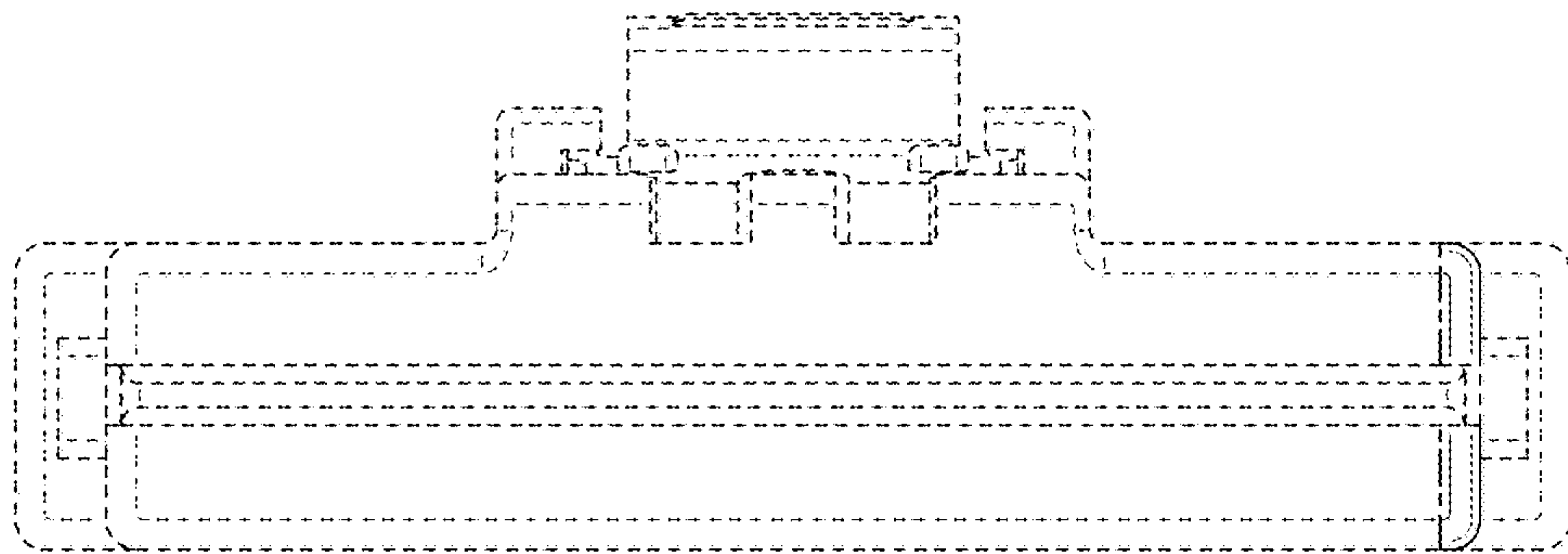


FIG. 2

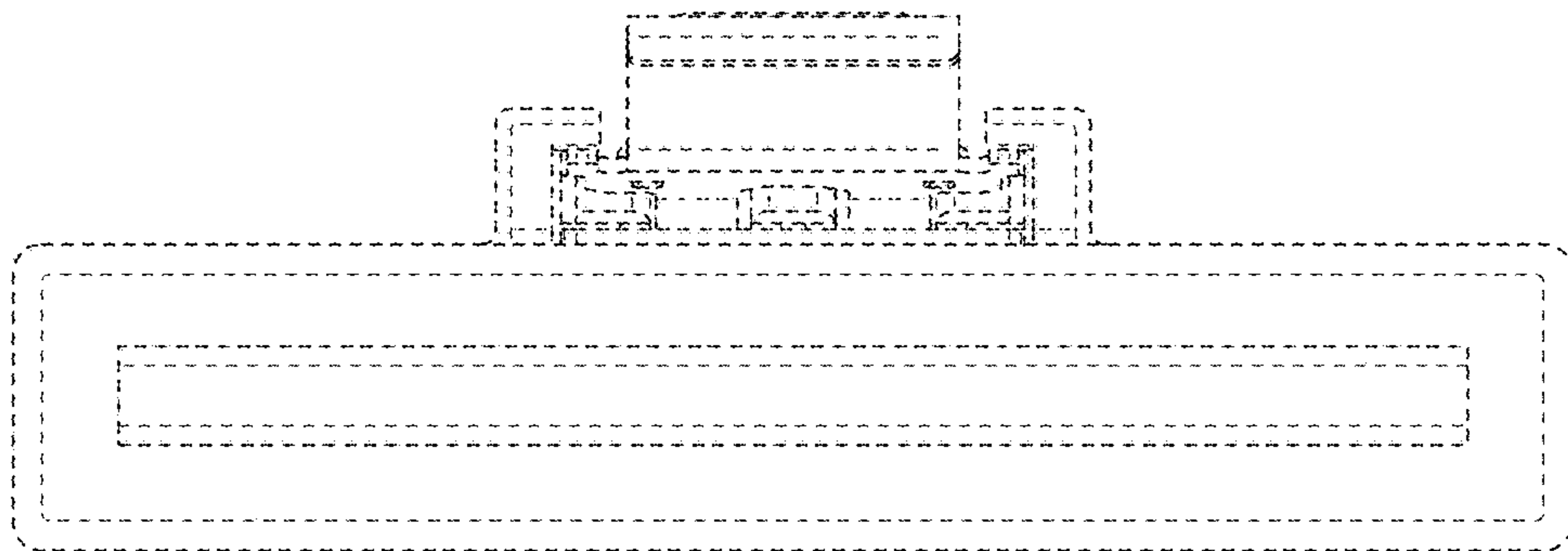


FIG. 3

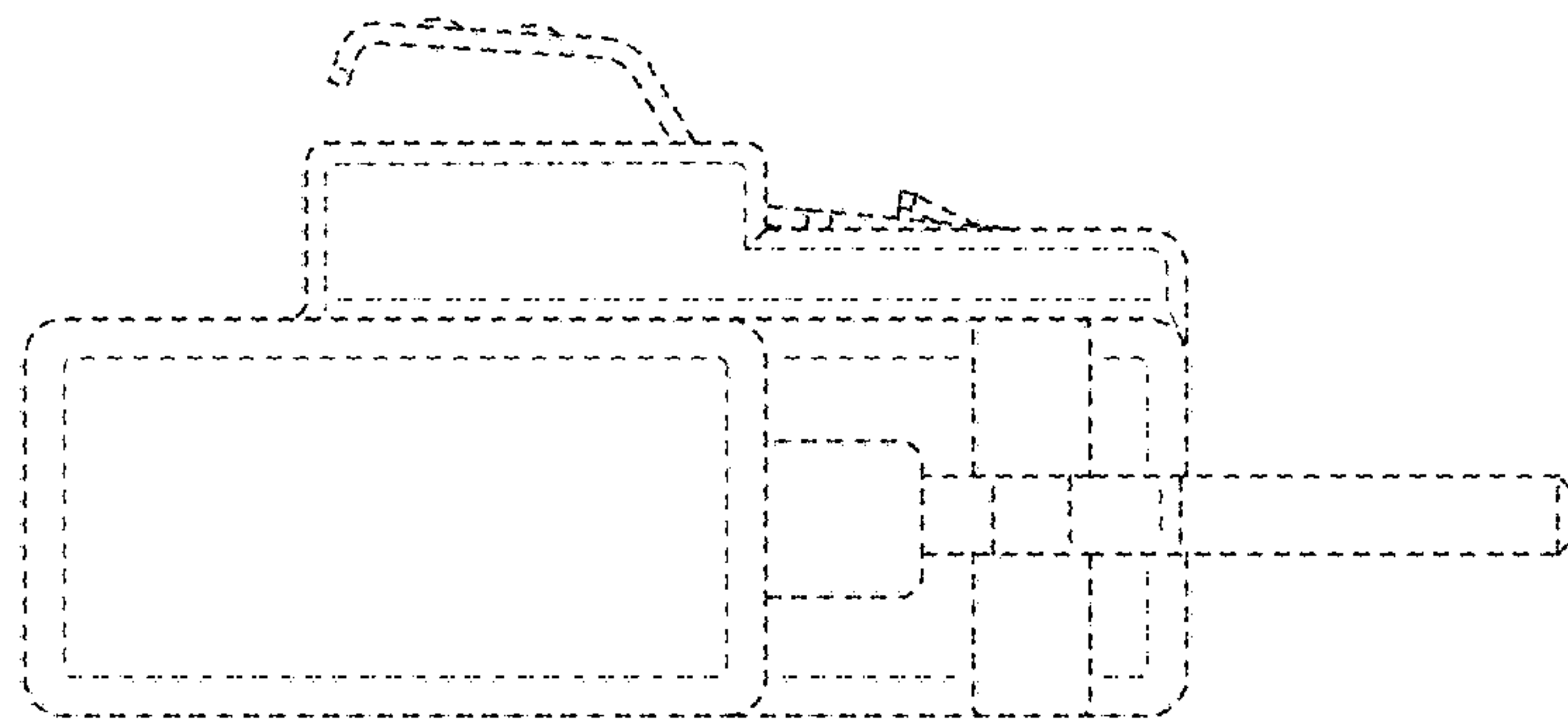


FIG. 4

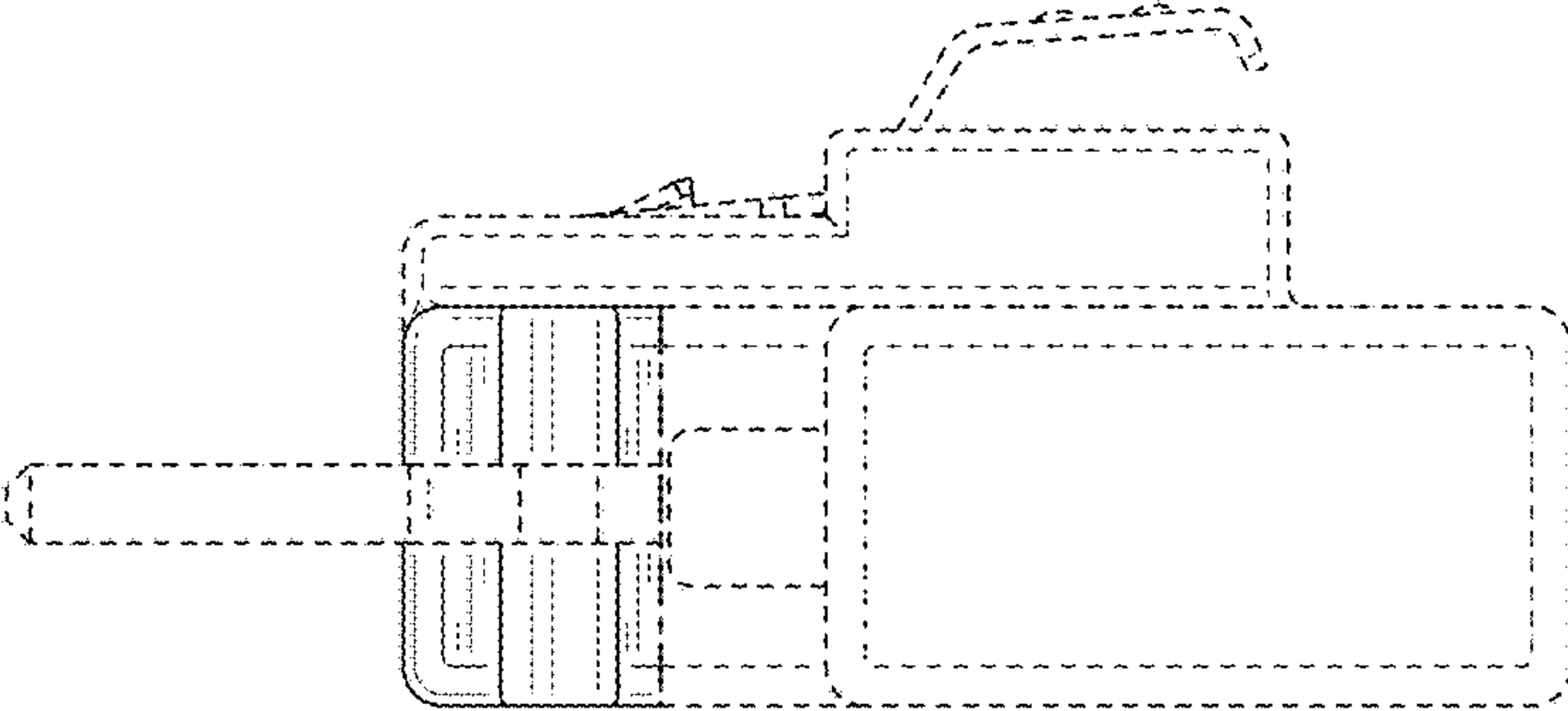


FIG. 5

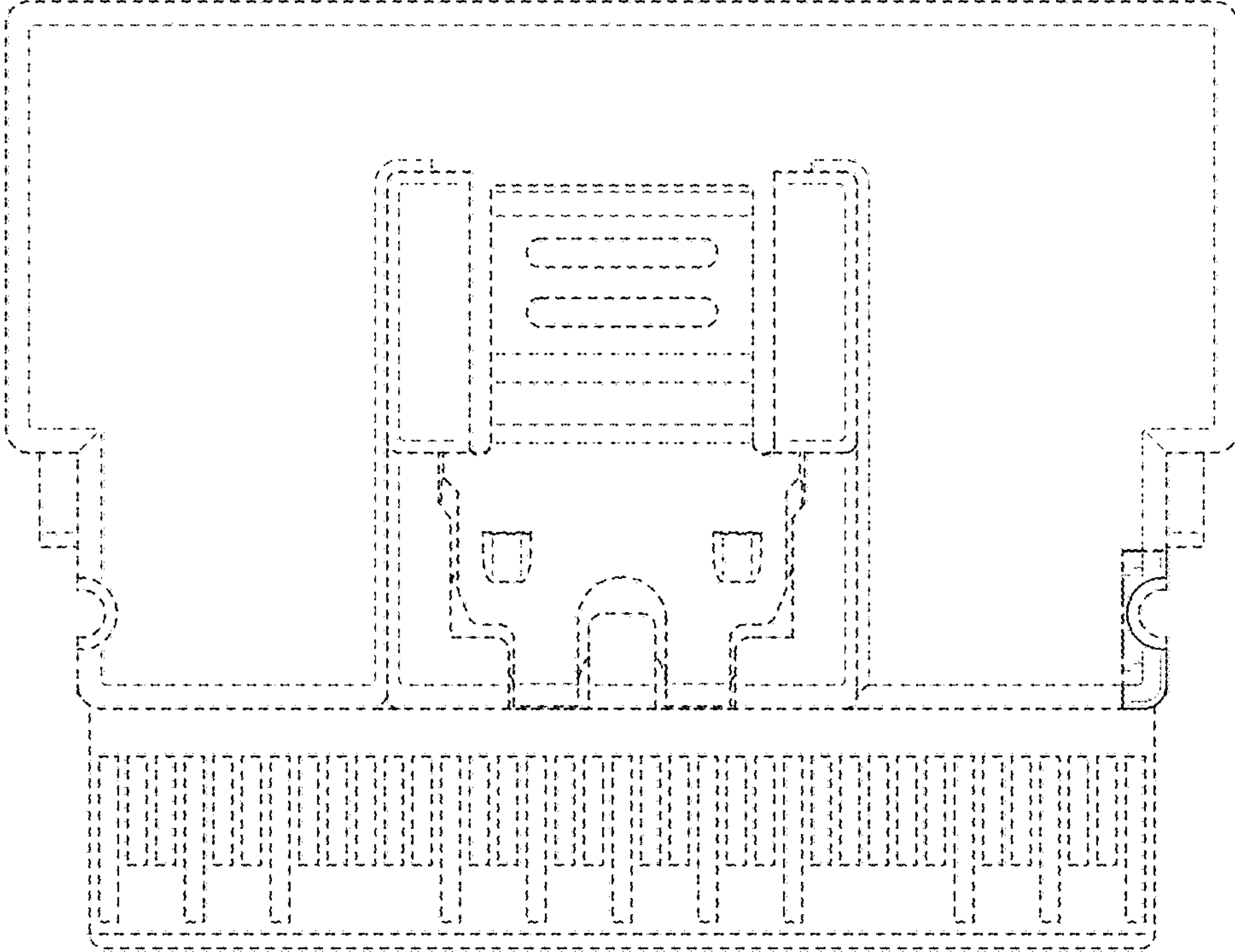


FIG. 6



FIG. 7