



US00D843945S

(12) **United States Design Patent**
Naganuma et al.

(10) **Patent No.:** **US D843,945 S**
(45) **Date of Patent:** **** Mar. 26, 2019**

(54) **ELECTRICAL CONNECTOR**

(71) Applicant: **HIROSE ELECTRIC CO., LTD.**,
Tokyo (JP)

(72) Inventors: **Kenichi Naganuma**, Tokyo (JP);
Yusuke Sakoda, Tokyo (JP)

(73) Assignee: **HIROSE ELECTRIC CO., LTD.**,
Tokyo (JP)

(**) Term: **15 Years**

(21) Appl. No.: **29/621,490**

(22) Filed: **Oct. 9, 2017**

(30) **Foreign Application Priority Data**

Jun. 23, 2017 (JP) 2017-013520
Jun. 23, 2017 (JP) 2017-013521

(51) **LOC (11) Cl.** **13-03**

(52) **U.S. Cl.**
USPC **D13/147**

(58) **Field of Classification Search**
USPC D13/133, 146, 147, 154, 156, 184, 199
CPC H01R 24/60; H01R 24/70; H01R 13/5205;
H01R 13/5219; H01R 13/642; H01R
13/6471; H01R 13/6581; H01R 13/6582;
H01R 13/6285; H01R 13/6591; H01R
13/6596

See application file for complete search history.

(56) **References Cited**

U.S. PATENT DOCUMENTS

D446,773 S * 8/2001 Yao D13/147
D447,466 S * 9/2001 Chen D13/147
D499,382 S * 12/2004 Zhu D13/147

D654,439 S * 2/2012 Sasaki D13/147
D710,308 S * 8/2014 Katayanagi D13/147
D718,251 S * 11/2014 Katayanagi D13/147

* cited by examiner

Primary Examiner — Daniel D Bui

(74) *Attorney, Agent, or Firm* — Rankin, Hill & Clark
LLP

(57) **CLAIM**

The ornamental design for an electrical connector, as shown
and described.

DESCRIPTION

FIG. 1 is a front, top and right side perspective view of an
electrical connector showing our new design;
FIG. 2 is a front, bottom and right side perspective view
thereof;
FIG. 3 is a rear, top and left side perspective view thereof;
FIG. 4 is a rear, bottom and left side perspective view
thereof;
FIG. 5 is a front elevation view thereof;
FIG. 6 is a rear elevation view thereof;
FIG. 7 is a left side elevation view thereof;
FIG. 8 is a right side elevation view thereof;
FIG. 9 is a top plan view thereof;
FIG. 10 is a bottom plan view thereof;
FIG. 11 is a cross sectional view thereof, taken along line
11-11 in FIG. 5; and,
FIG. 12 is a cross sectional view thereof, taken along line
12-12 in FIG. 5.

The broken line showing of the electrical connector is for the
purpose of illustrating portions of the electrical connector
and forms no part of the claimed design. The dashed-dotted
lines define the bounds of the claimed design and form no
part thereof.

1 Claim, 12 Drawing Sheets

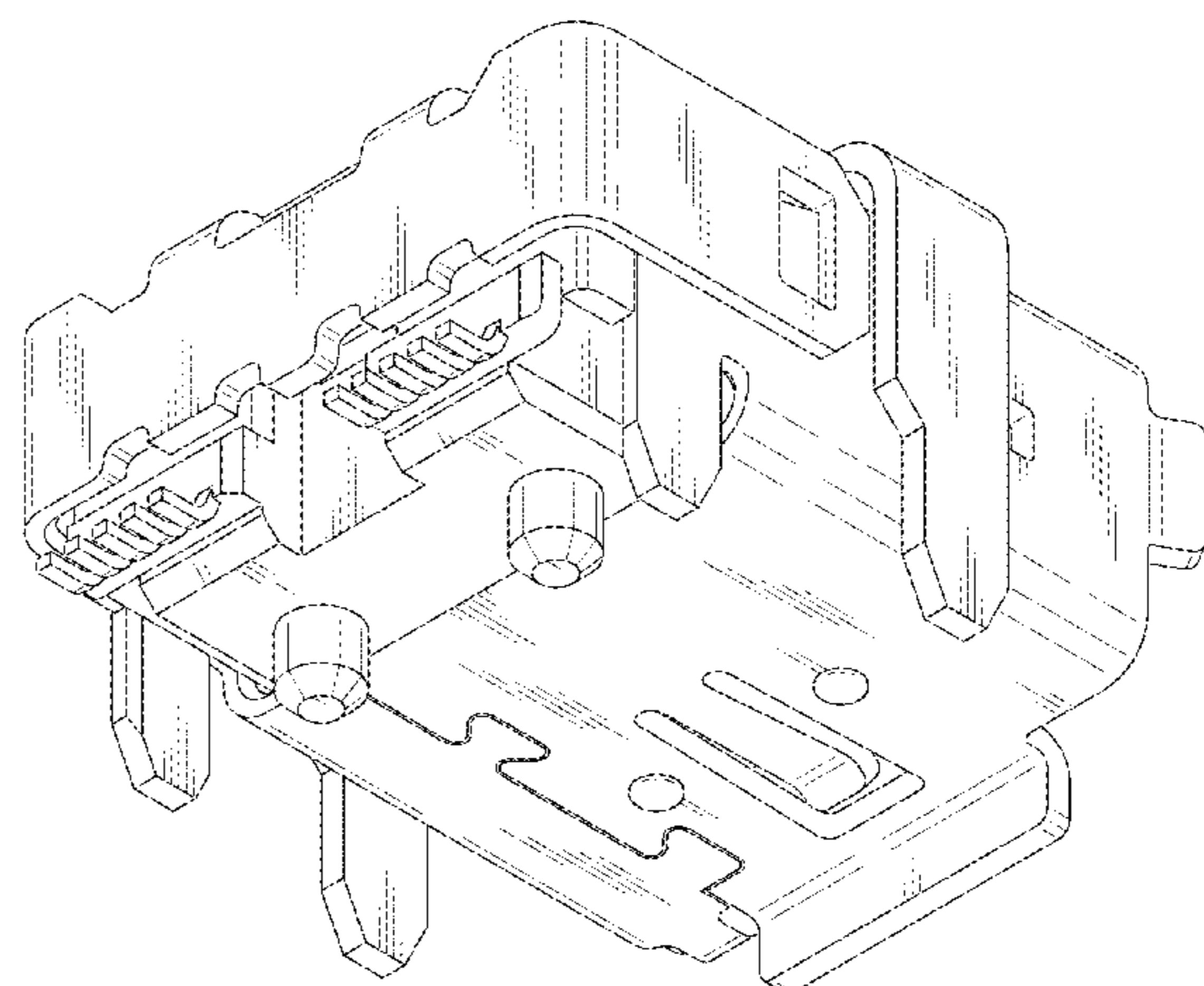
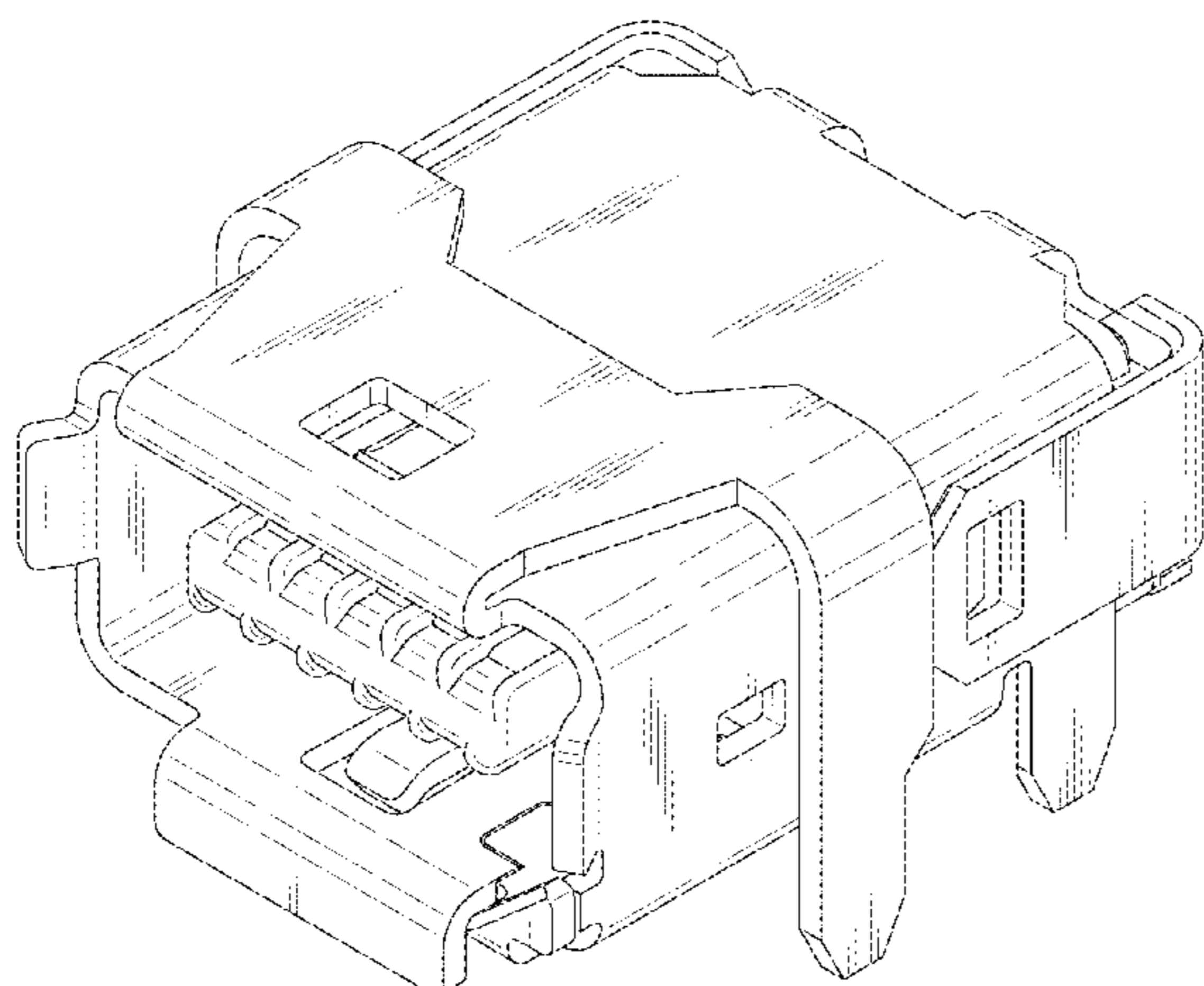


Fig. 1

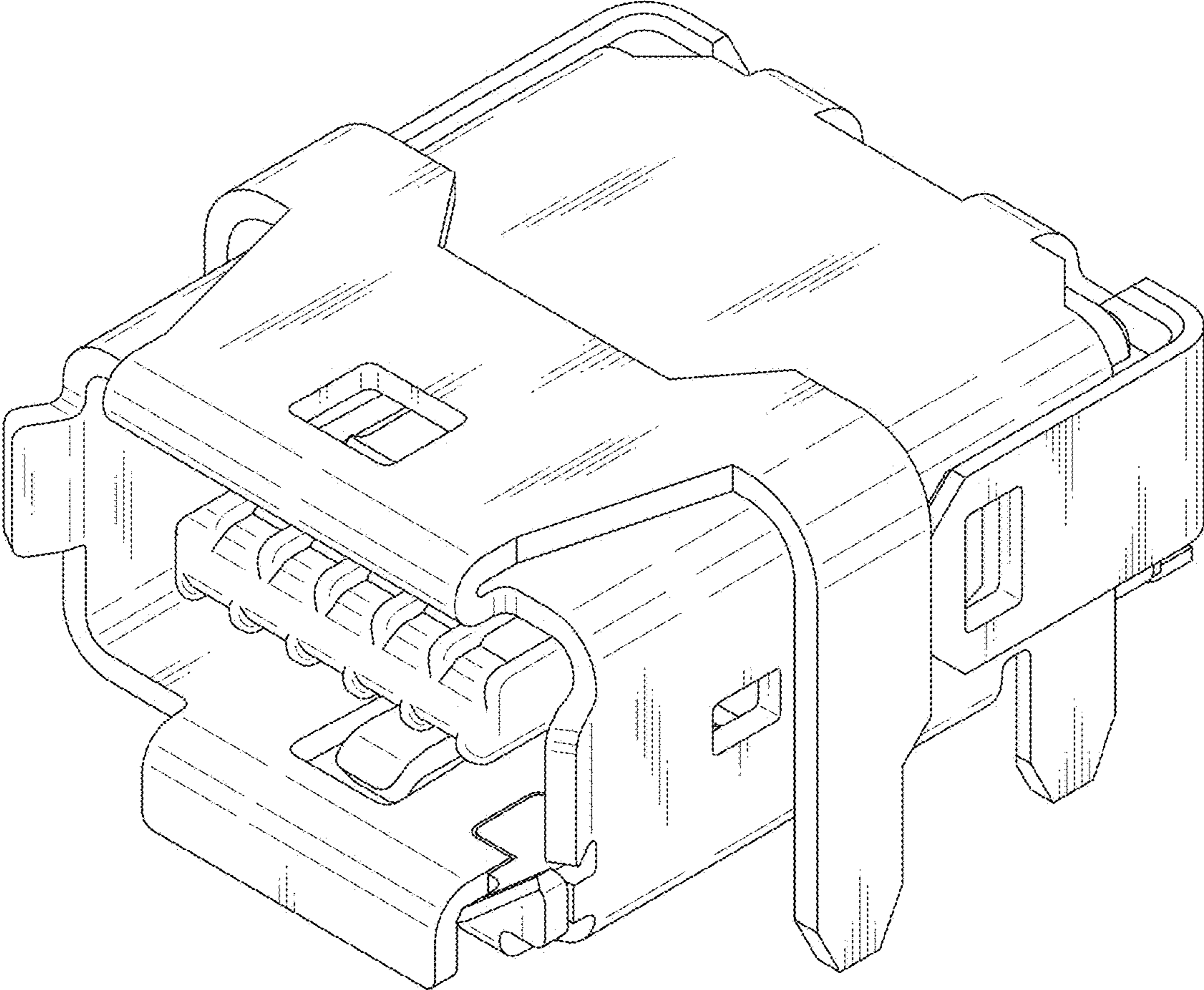


Fig. 2

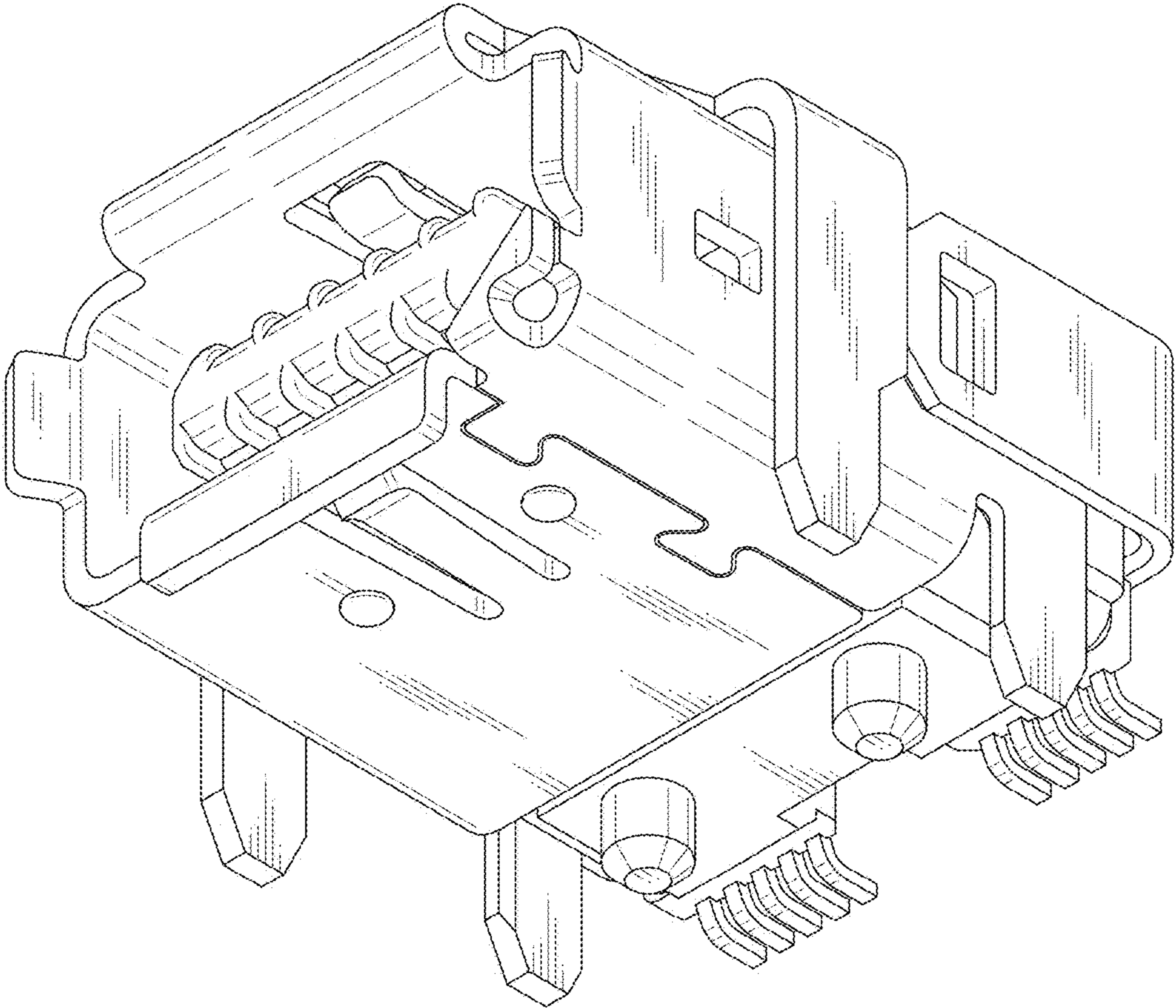


Fig. 3

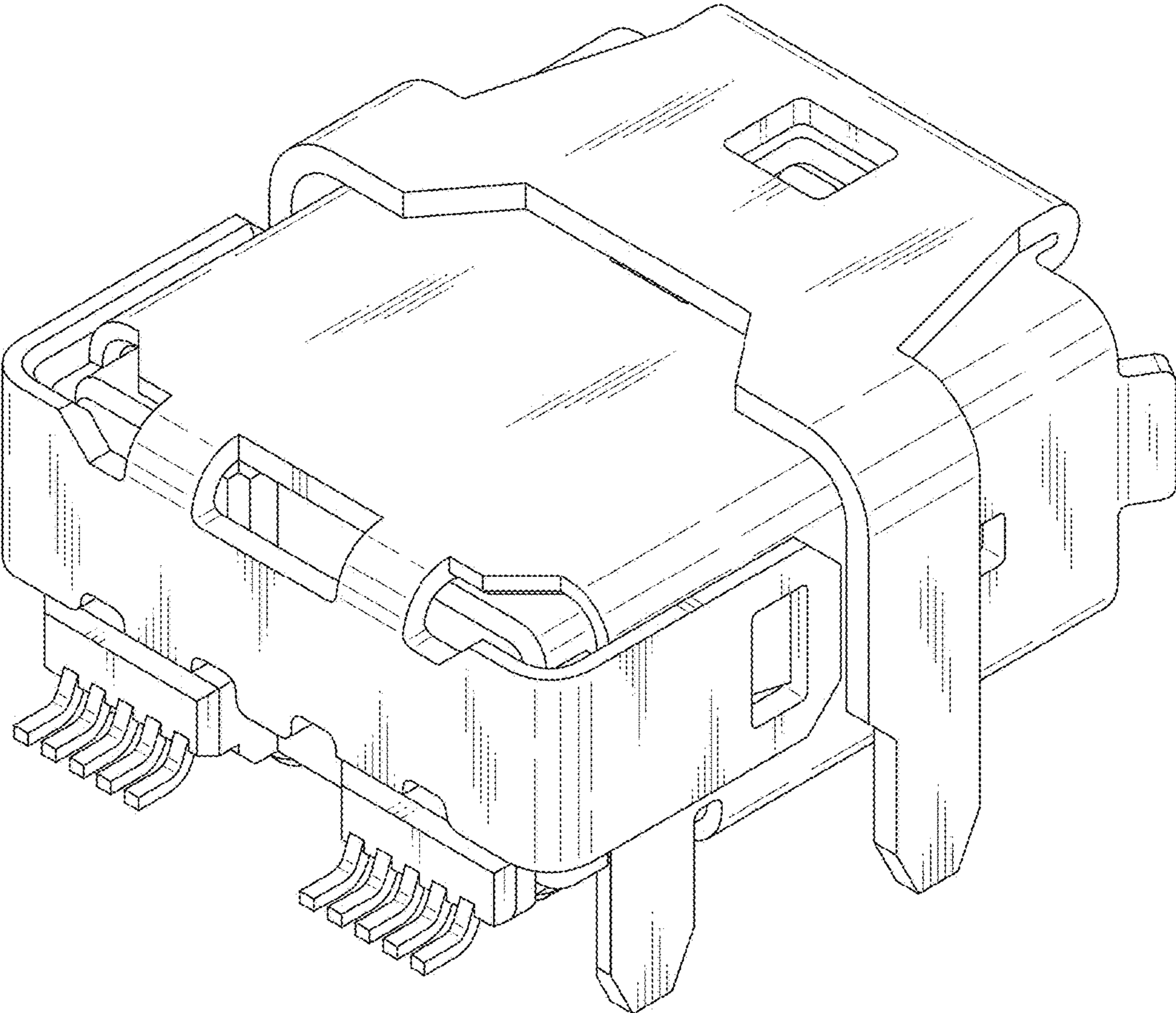


Fig. 4

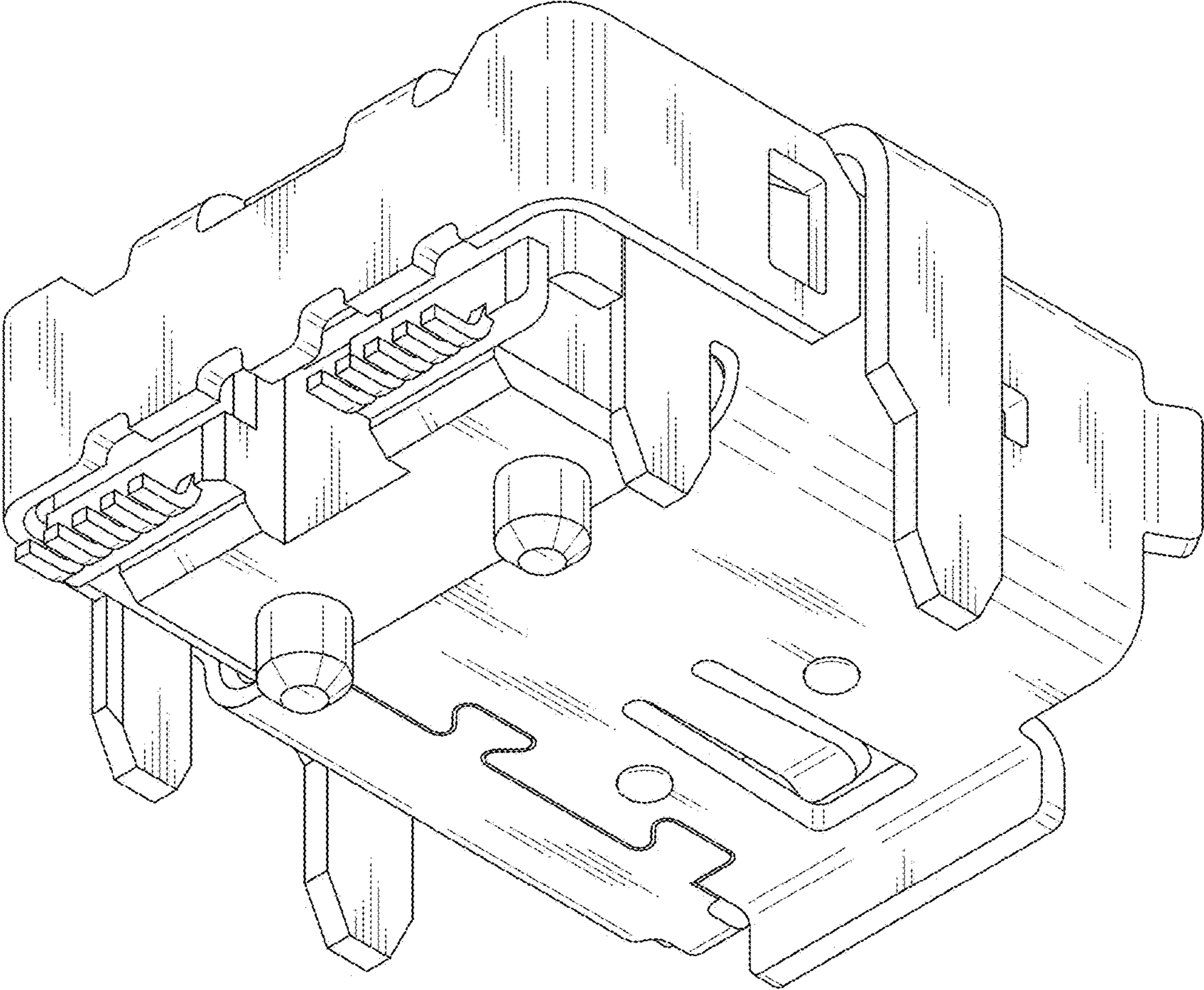


Fig. 5

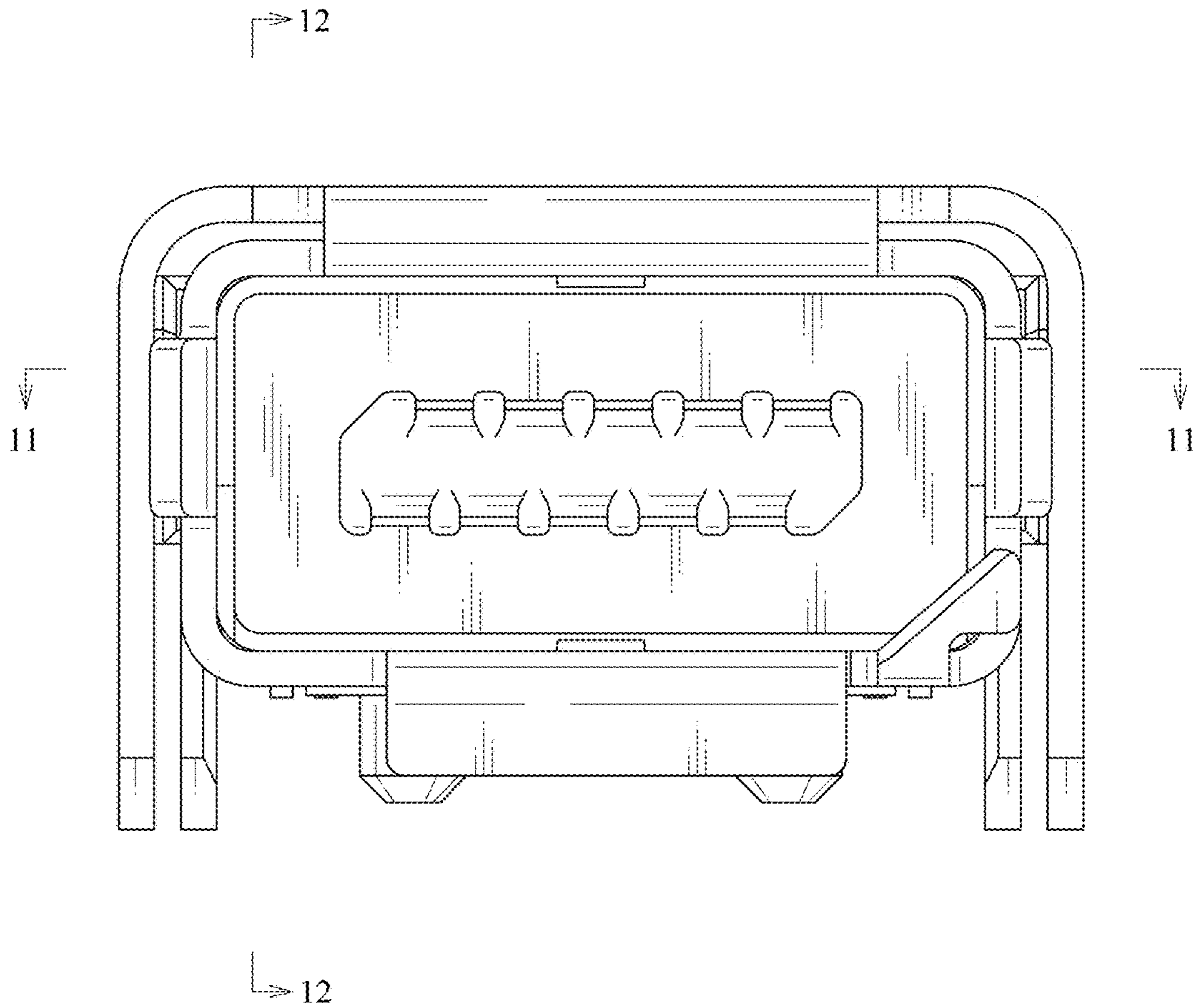


Fig. 6

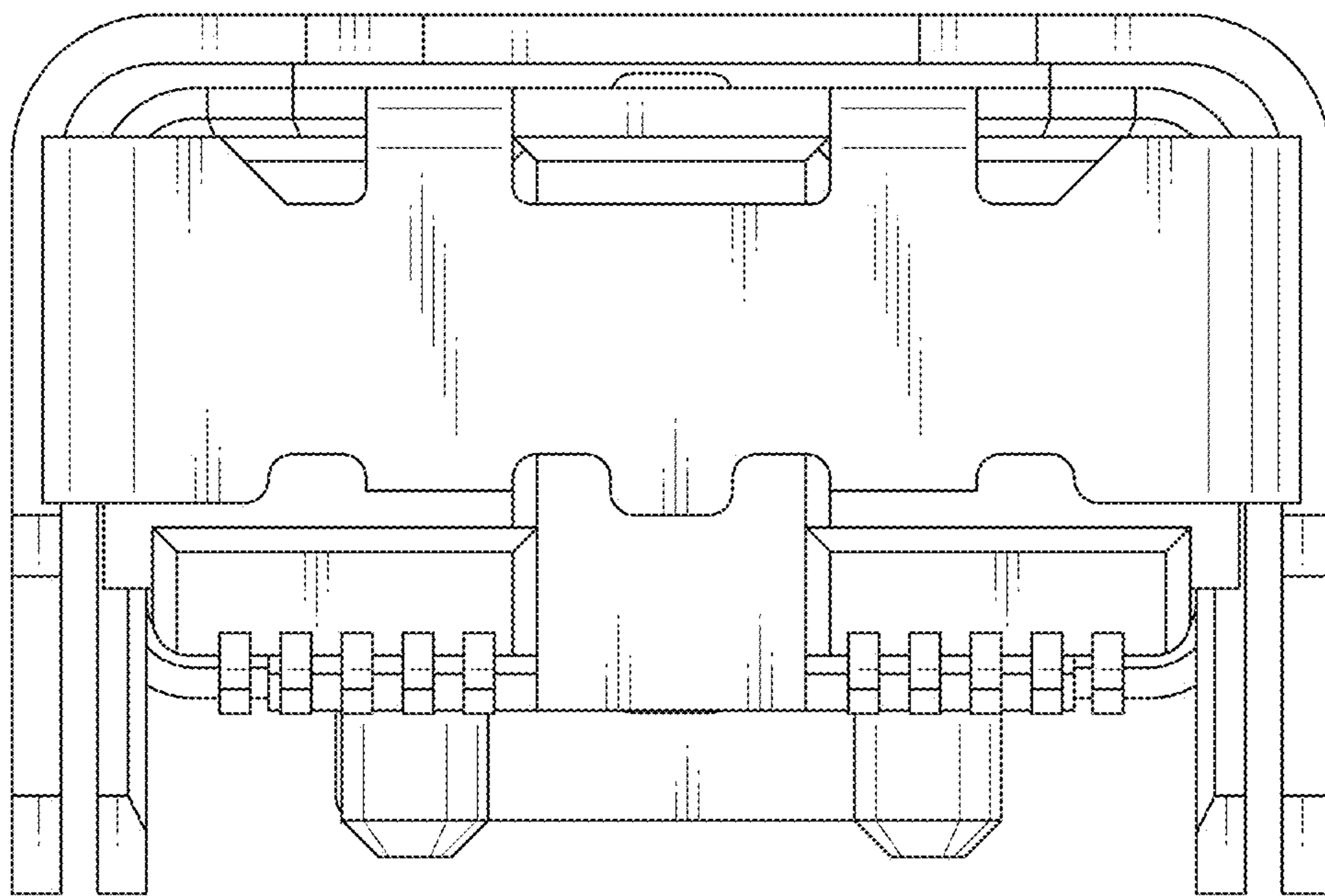


Fig. 7

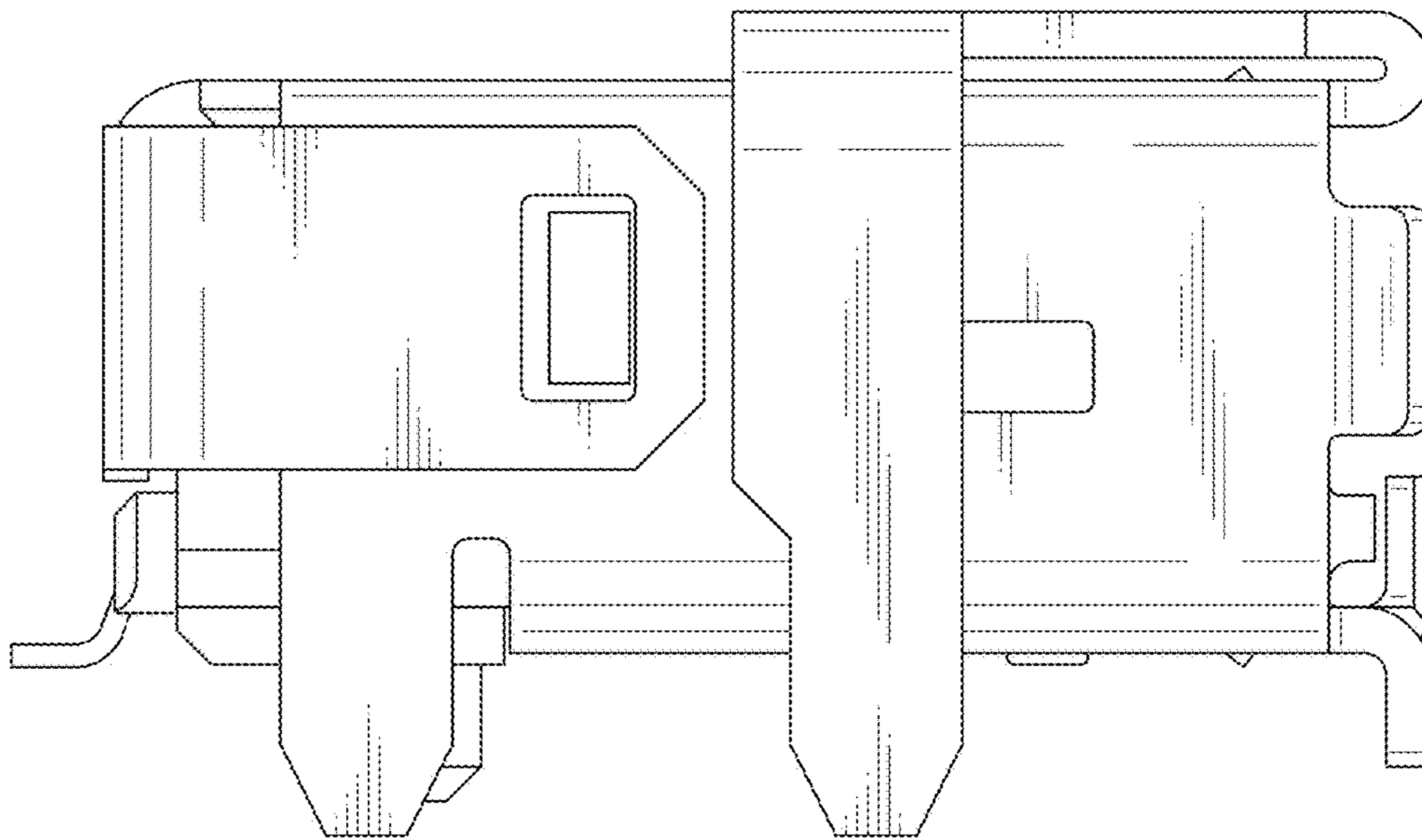


Fig. 8

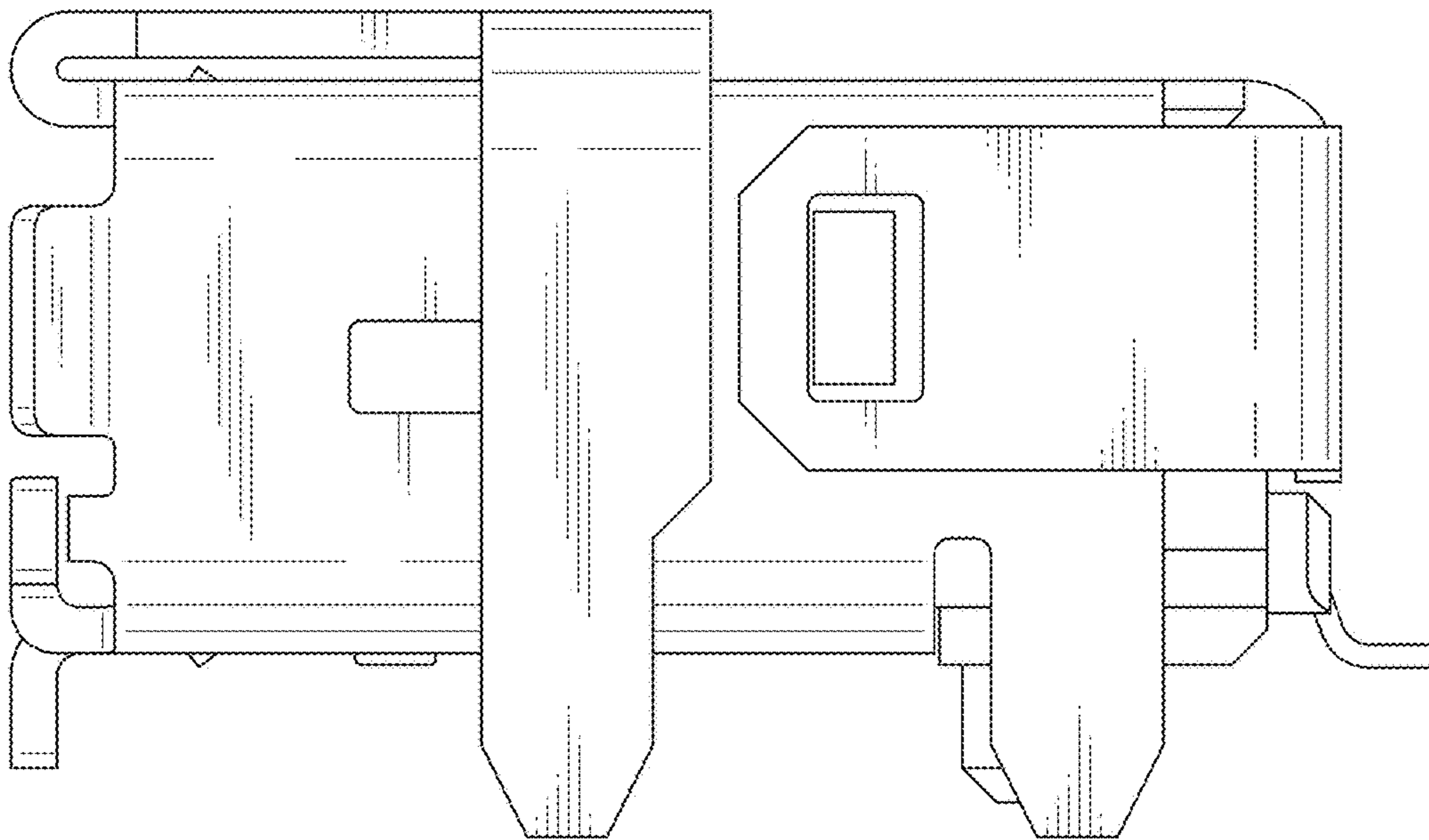


Fig. 9

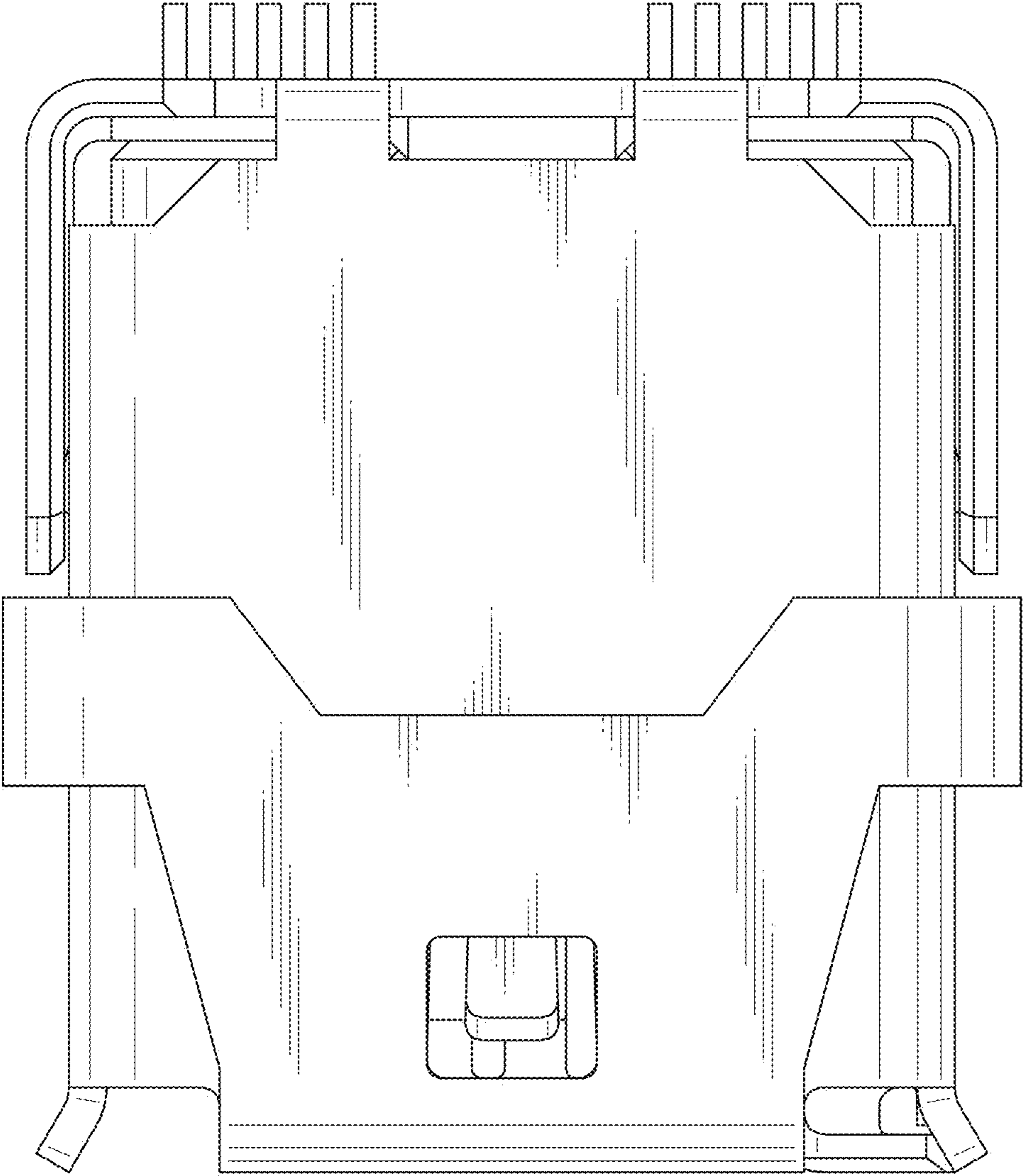


Fig. 10

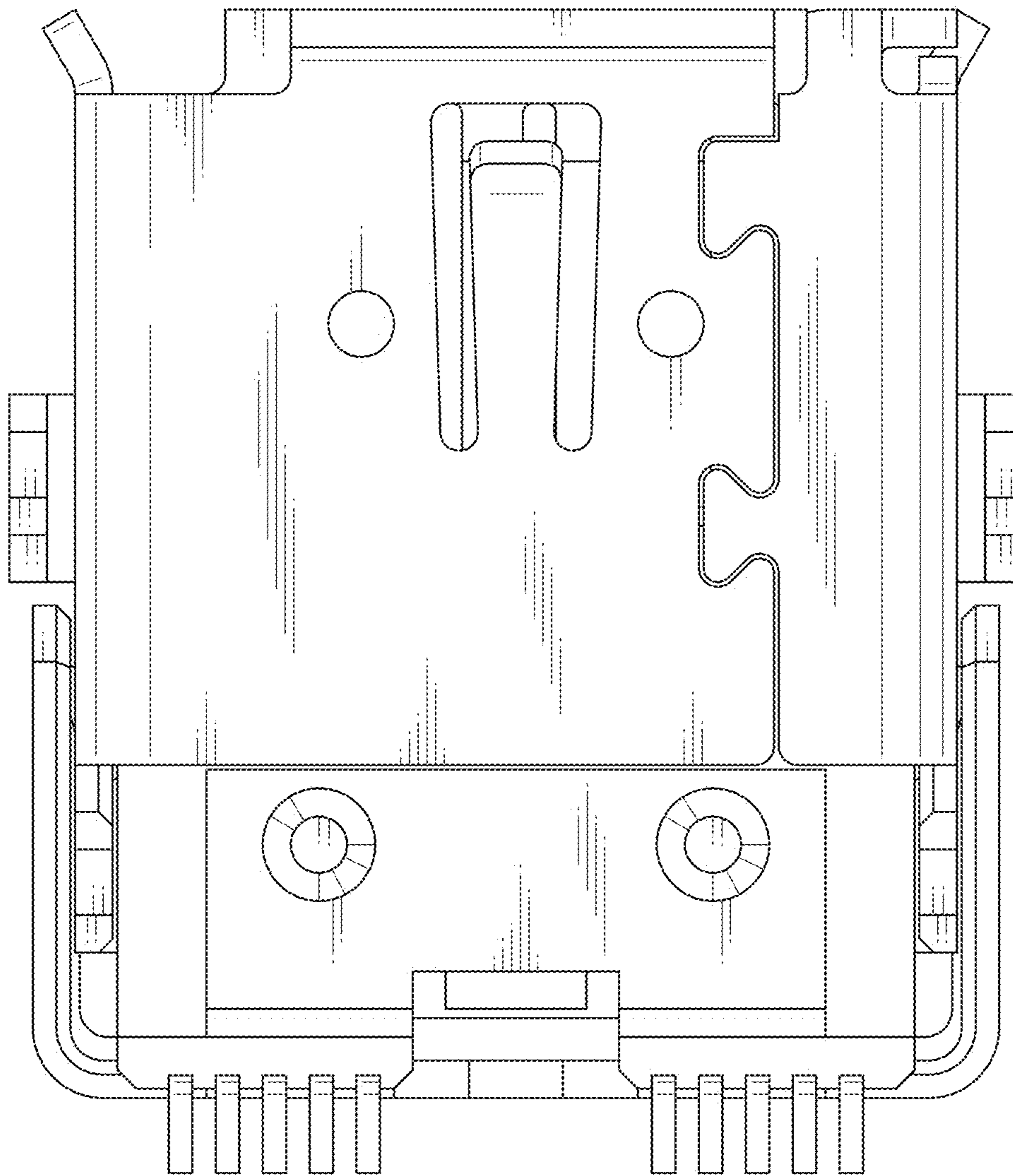


Fig. 11

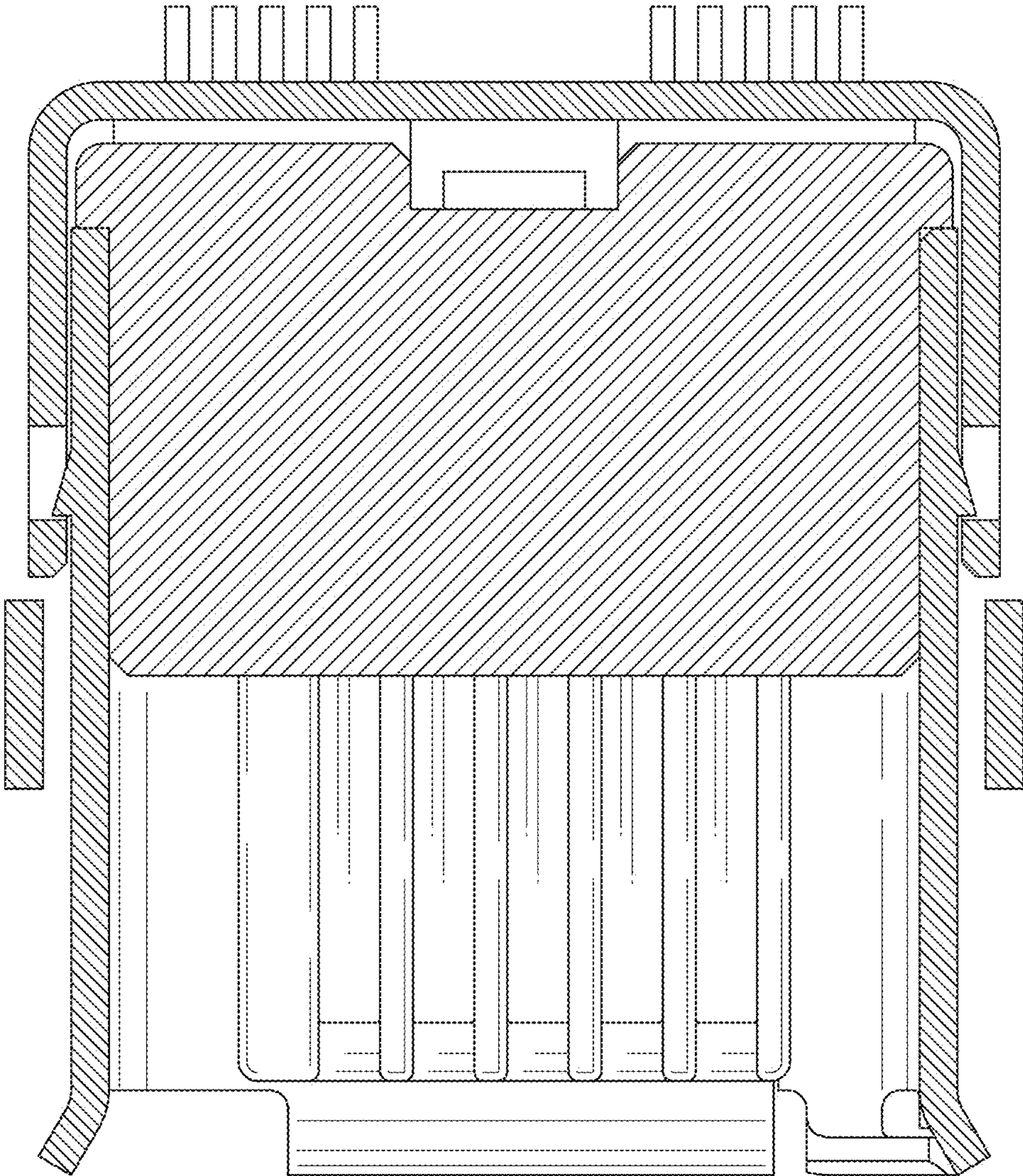


Fig. 12

