



US00D843944S

(12) **United States Design Patent**
Lu

(10) **Patent No.:** **US D843,944 S**
(45) **Date of Patent:** **** Mar. 26, 2019**

(54) **CAR ADAPTER**

(71) Applicant: **GETAC TECHNOLOGY CORPORATION**, Hsinchu County (TW)

(72) Inventor: **Wei-Sen Lu**, Taipei (TW)

(73) Assignee: **GETAC TECHNOLOGY CORPORATION**, Hsinchu County (TW)

(**) Term: **15 Years**

(21) Appl. No.: **29/596,660**

(22) Filed: **Mar. 9, 2017**

(51) **LOC (11) Cl.** **13-03**

(52) **U.S. Cl.**
USPC **D13/144**

(58) **Field of Classification Search**
USPC D13/144, 107, 110, 118, 119, 120, 133, D13/154, 184, 199; D14/155, 217, 433, D14/447, 451, 439; 320/65, 107, 108, 320/109; 363/13, 146; 439/300, 620, 439/638, 668, 669, 675, 825
CPC H01R 24/58; H01R 2201/26; H01R 31/02; G11B 33/08; G11B 33/12
See application file for complete search history.

(56) **References Cited**

U.S. PATENT DOCUMENTS

- 2,305,471 A * 12/1942 Greenblatt A44B 11/24 24/163 FC
- 2,473,266 A * 6/1949 Wexler A61B 17/0293 600/215
- D347,019 S * 5/1994 Yould D17/22
- 6,141,222 A * 10/2000 Toor G06F 1/184 312/223.1
- D447,933 S * 9/2001 Kelleghan D8/356
- D459,804 S * 7/2002 Koros D24/135

- D465,510 S * 11/2002 Edwards D17/22
 - D473,562 S * 4/2003 Russell D14/447
 - D526,885 S * 8/2006 Kelleghan D8/356
 - D564,220 S * 3/2008 Dixon A45F 5/02 D3/218
 - D584,733 S * 1/2009 Dearborn D14/439
 - D674,398 S * 1/2013 Whittington D14/447
 - D674,803 S * 1/2013 Westrup A45C 3/02 D14/440
 - D686,629 S * 7/2013 Trinh D14/447
 - D694,230 S * 11/2013 Wolf D14/314
 - D704,194 S * 5/2014 Young D14/440
- (Continued)

Primary Examiner — Derrick E Holland
Assistant Examiner — Jennifer O King

(57) **CLAIM**

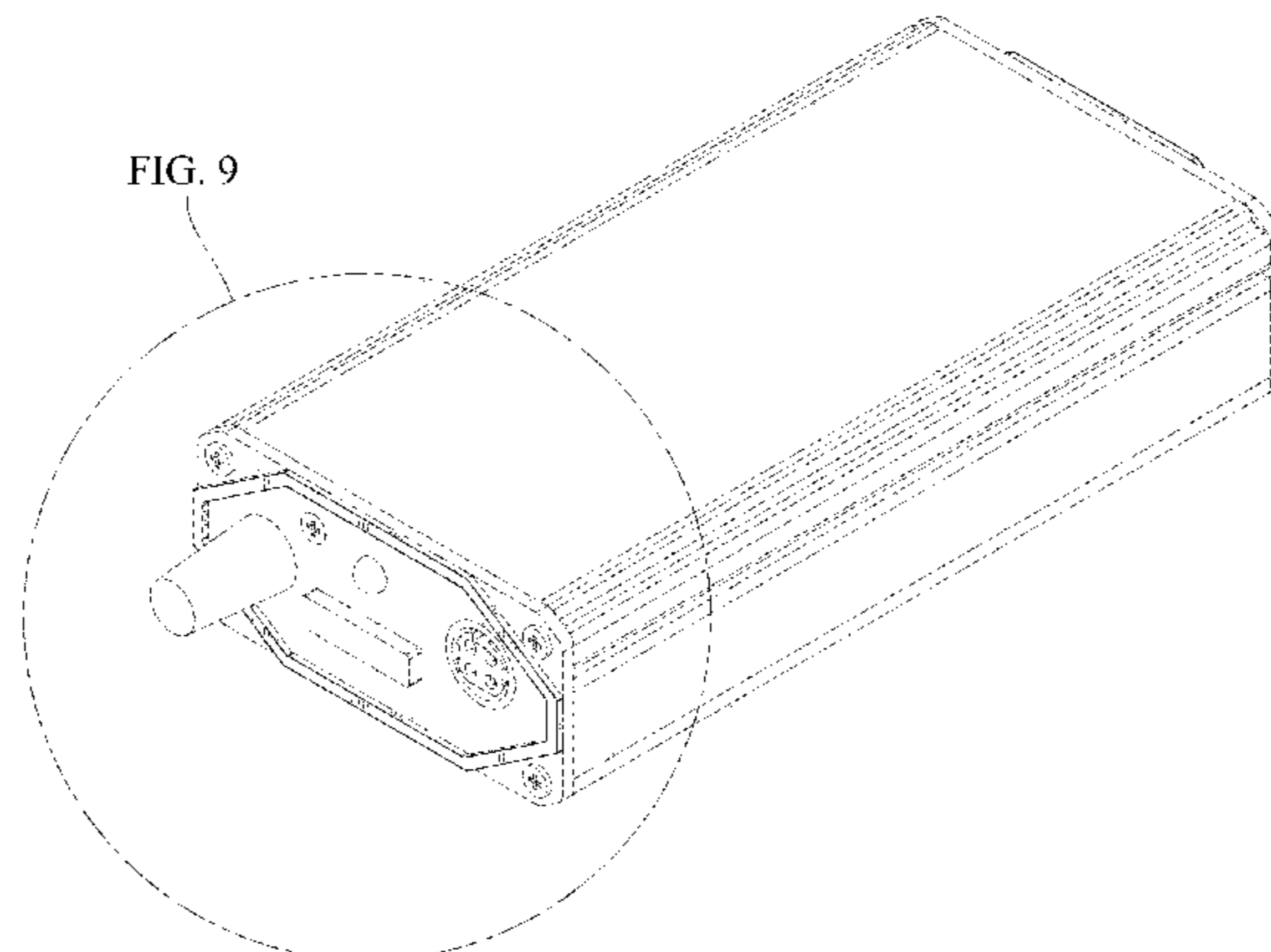
The ornamental design for a car adapter, as shown and described.

DESCRIPTION

FIG. 1 is a top front right perspective view of a car adapter showing my new design;
FIG. 2 is a bottom rear left perspective view thereof;
FIG. 3 is a front view thereof;
FIG. 4 is a rear view thereof;
FIG. 5 is a left side view thereof;
FIG. 6 is a right side view thereof;
FIG. 7 is a top view thereof;
FIG. 8 is a bottom view thereof;
FIG. 9 is an enlarged view of a portion of the claimed design shown in FIG. 1; and,
FIG. 10 is an enlarged view of a portion of the claimed design shown in FIG. 2.

The dash-dot broken lines immediately adjacent the shaded areas represent an unclaimed boundary between claimed and unclaimed surfaces. The dash-dash broken lines represent portions of the car adapter that form no part of the claimed design. None of the broken lines forms any part of the claimed design.

1 Claim, 10 Drawing Sheets



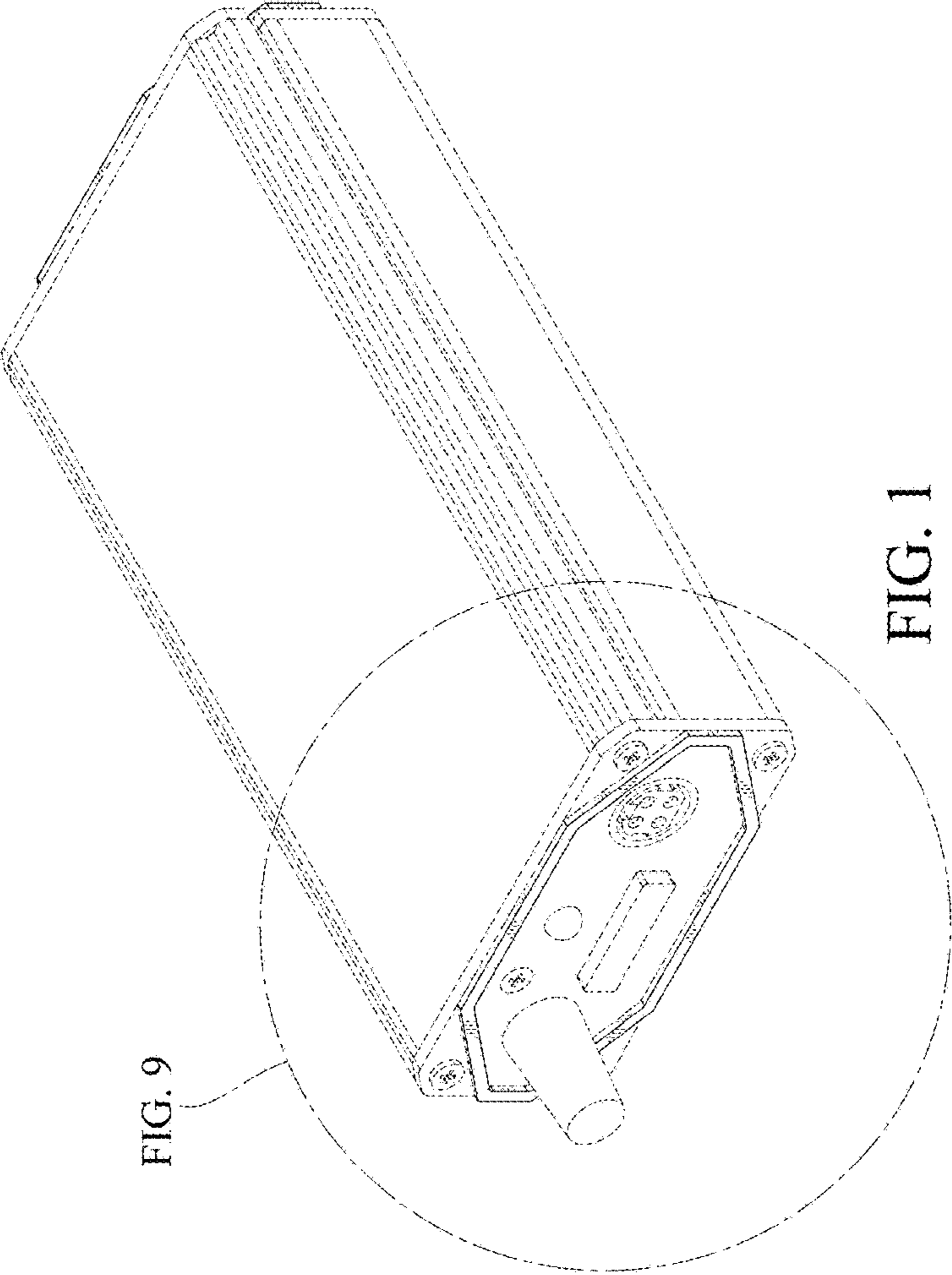
(56)

References Cited

U.S. PATENT DOCUMENTS

D707,231 S * 6/2014 Sirichai D14/447
D716,280 S * 10/2014 Macrina D14/250
D723,570 S * 3/2015 Sirichai D14/440
D724,595 S * 3/2015 Sirichai D14/440
D729,219 S * 5/2015 Yung D14/250
9,074,725 B2 * 7/2015 Trotsky F16M 11/043
D746,599 S * 1/2016 Olson D6/300
D763,007 S * 8/2016 Pace D6/407
D763,008 S * 8/2016 Pace D6/407
D775,135 S * 12/2016 Pace D14/451
D775,618 S * 1/2017 Kim D14/250
D798,305 S * 9/2017 Wengreen D14/447
D804,468 S * 12/2017 Armstrong D14/315
9,888,604 B2 * 2/2018 Dantin H05K 999/99
2007/0025014 A1 * 2/2007 Kim G11B 33/08
360/97.19
2011/0310553 A1 * 12/2011 Hsiao G06F 1/1616
361/679.55
2012/0043247 A1 * 2/2012 Westrup A45C 3/02
206/472
2012/0080577 A1 * 4/2012 McIntyre F16M 11/041
248/346.04
2012/0175396 A1 * 7/2012 Patino A45C 11/00
224/627

* cited by examiner



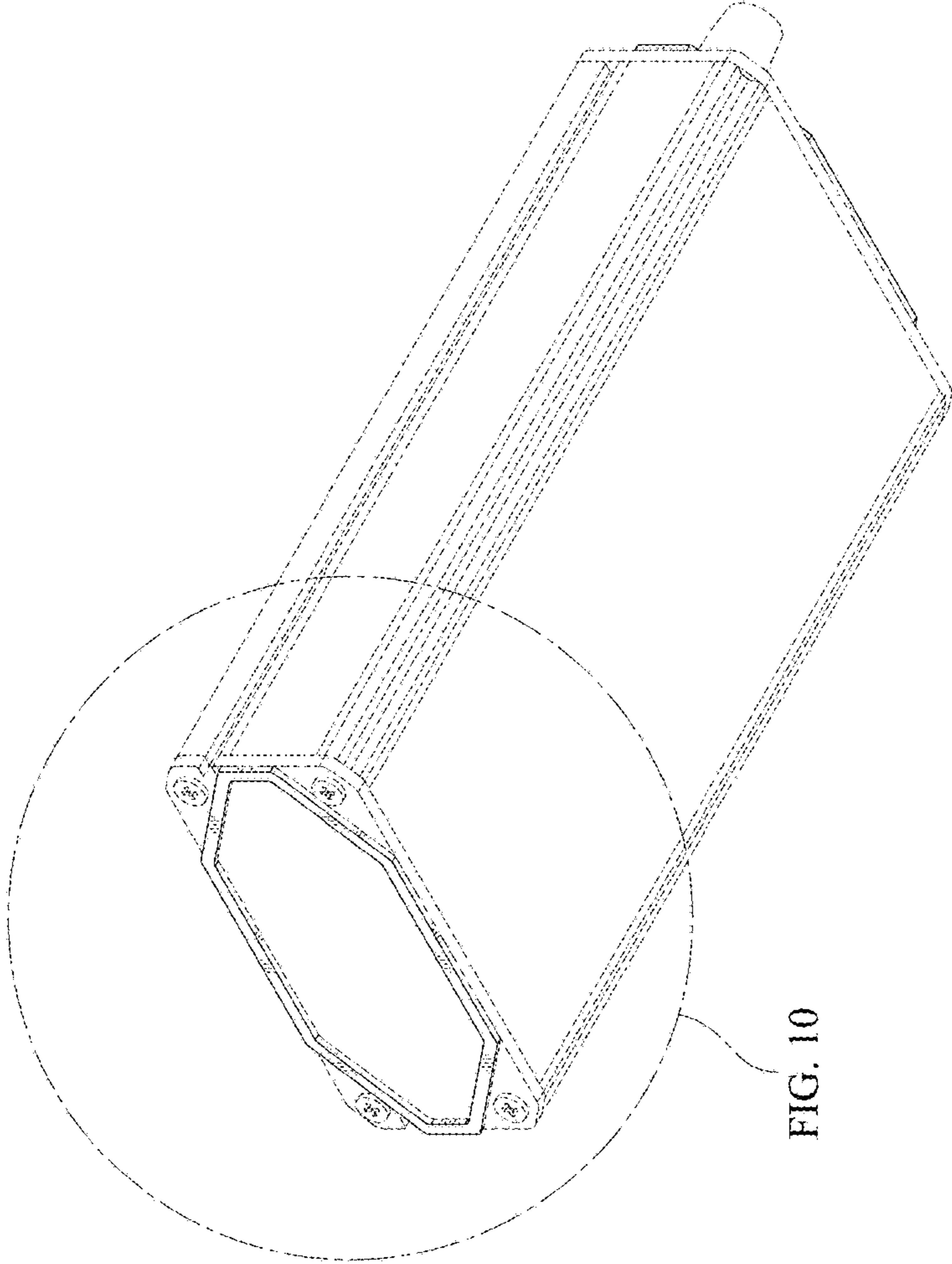


FIG. 2

FIG. 10

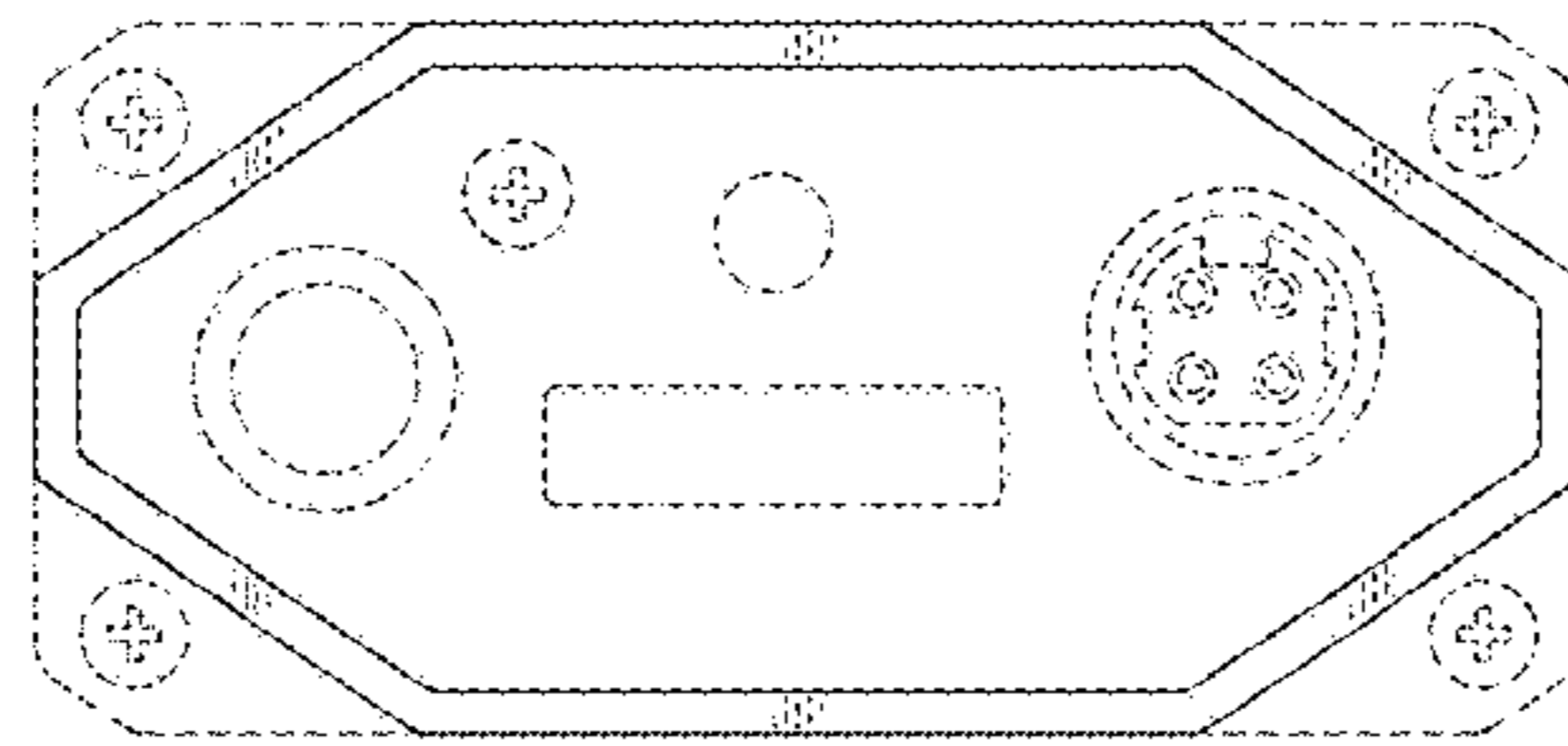


FIG. 3

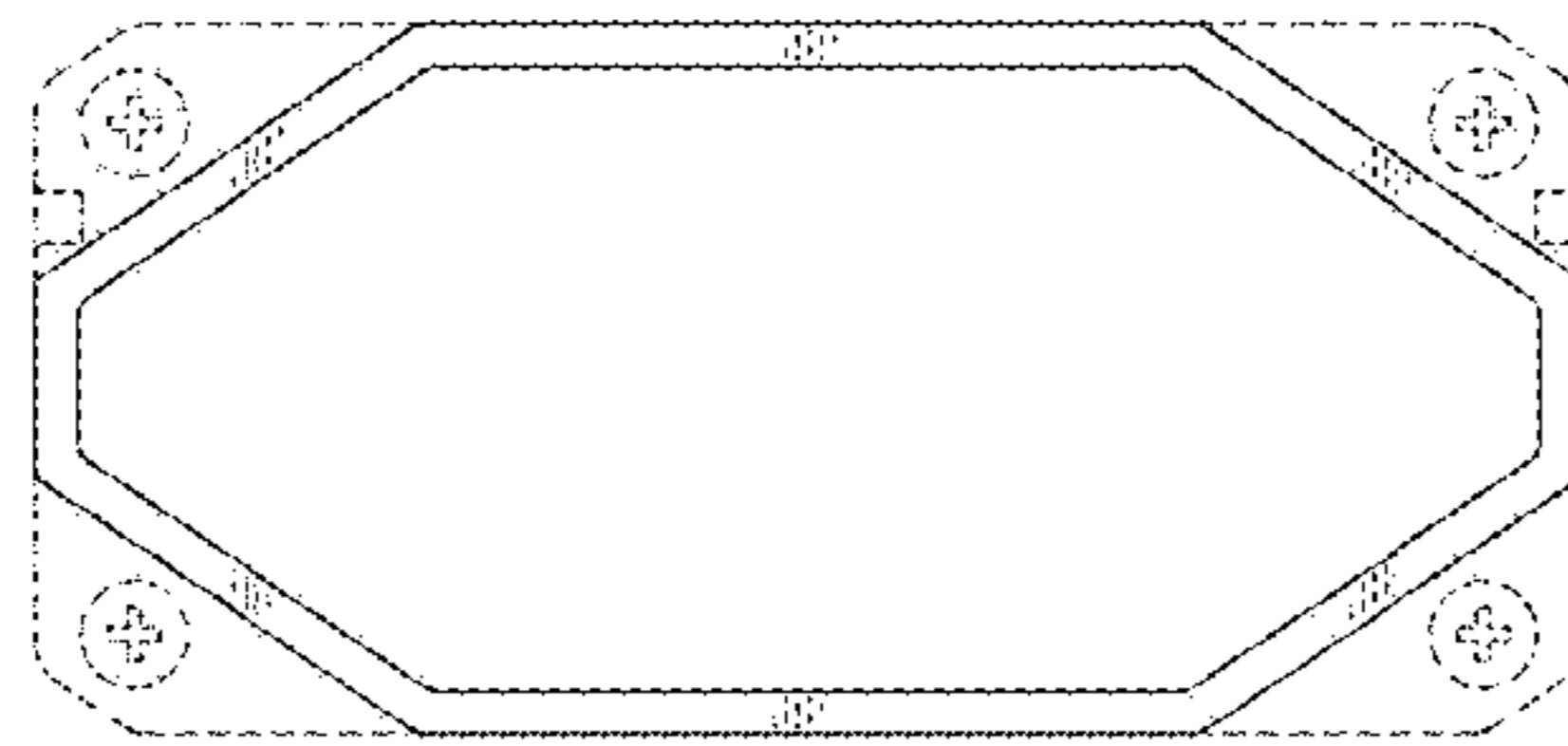


FIG. 4

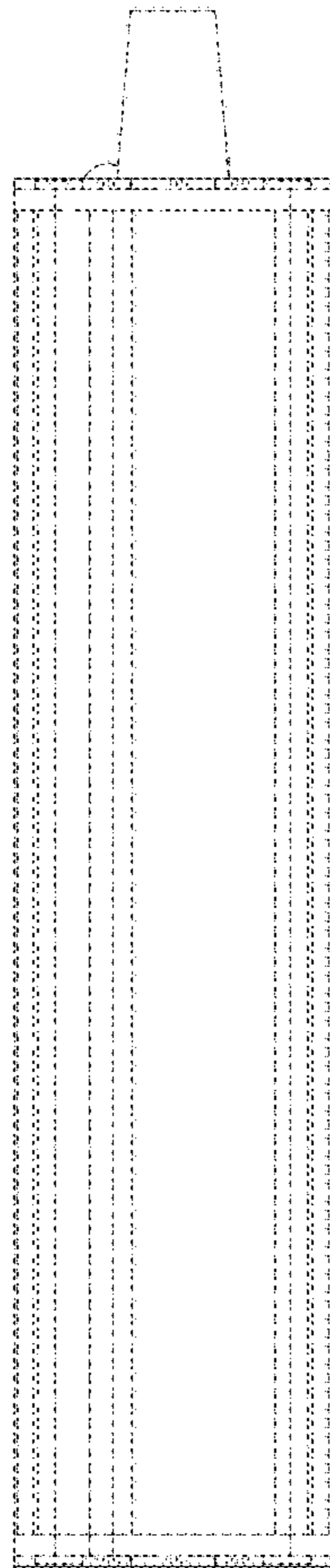


FIG. 5

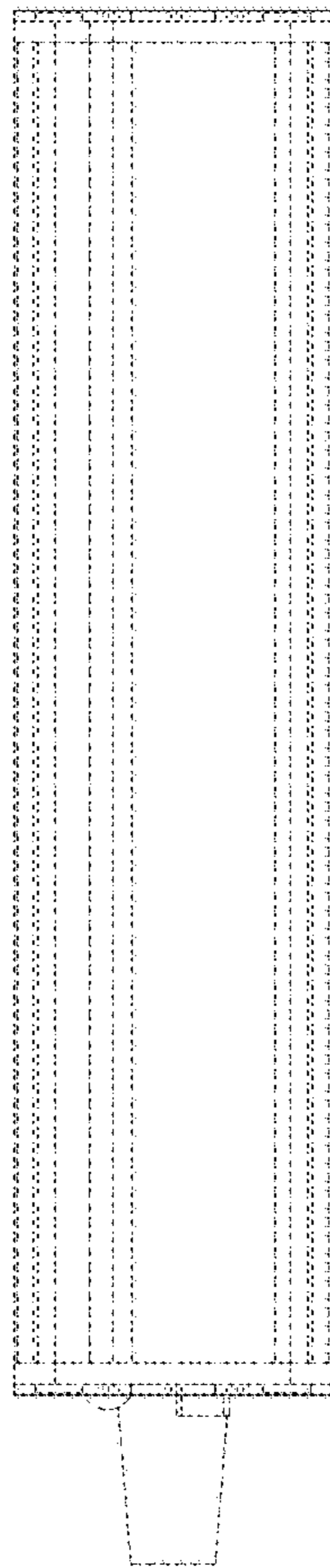


FIG. 6

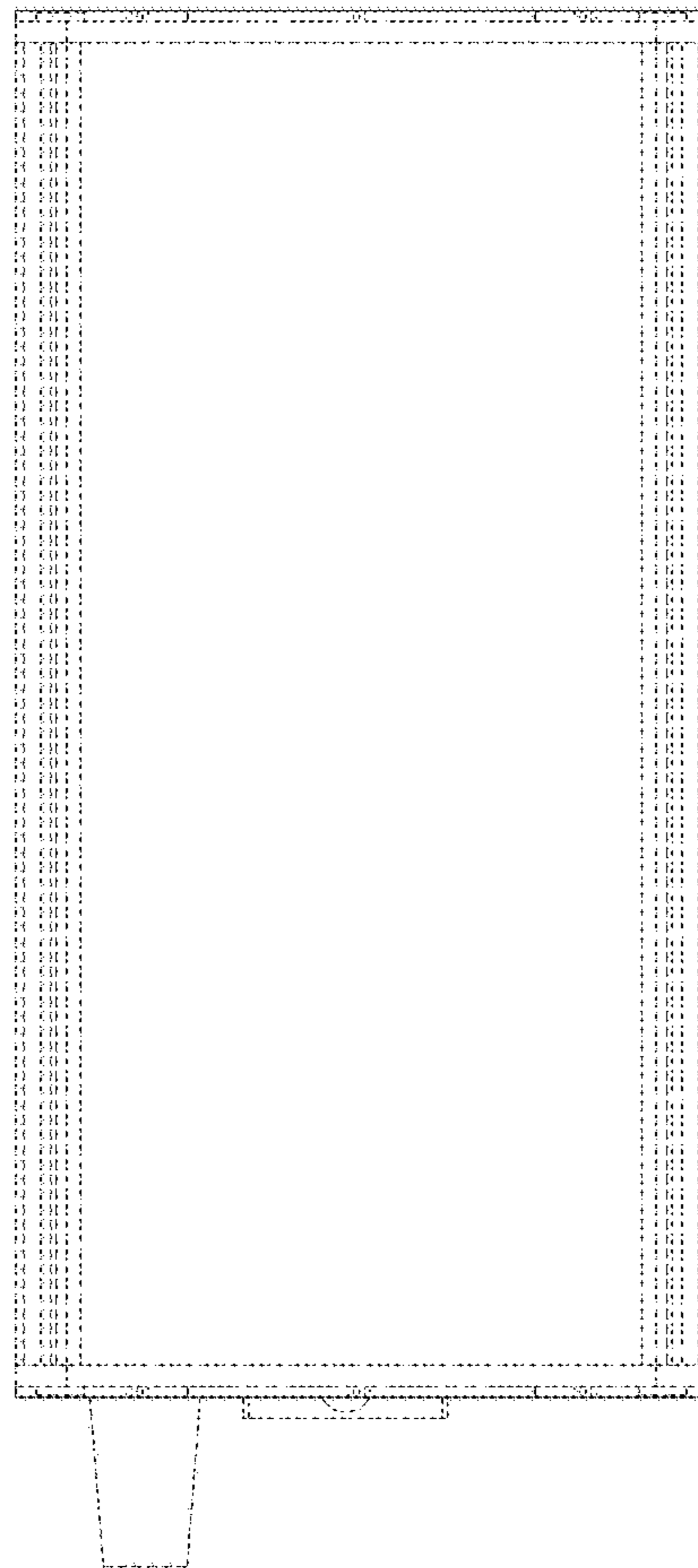


FIG. 7

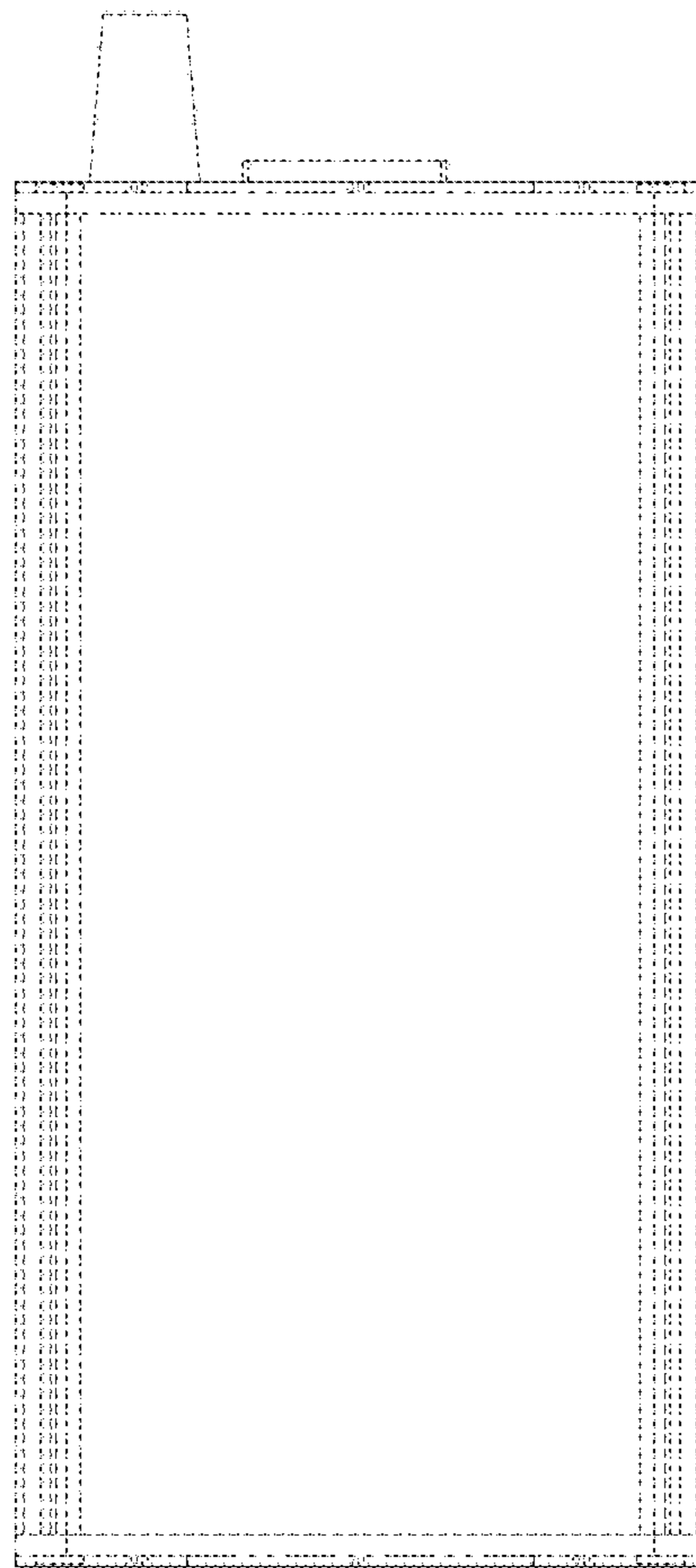


FIG. 8

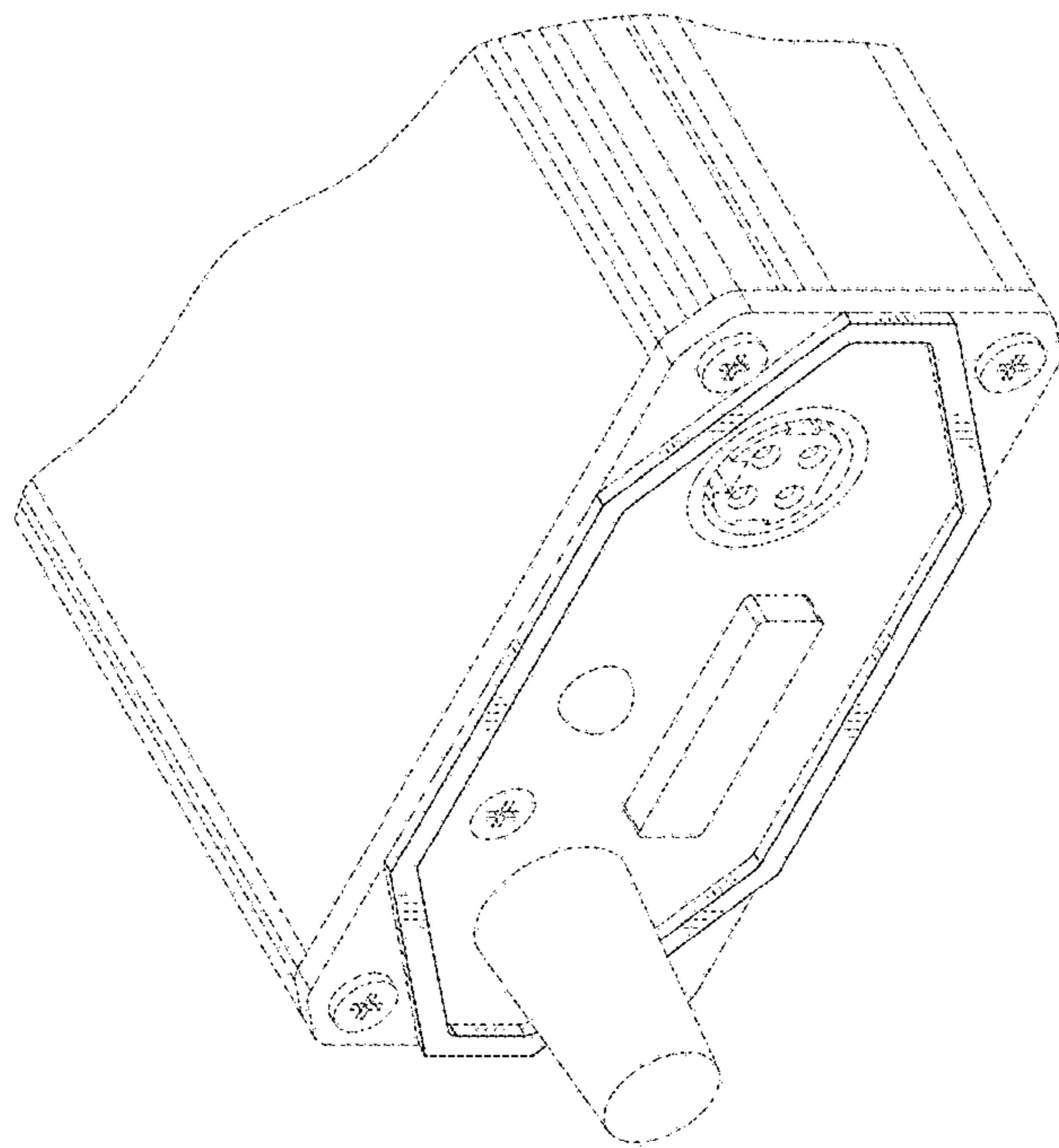


FIG. 9

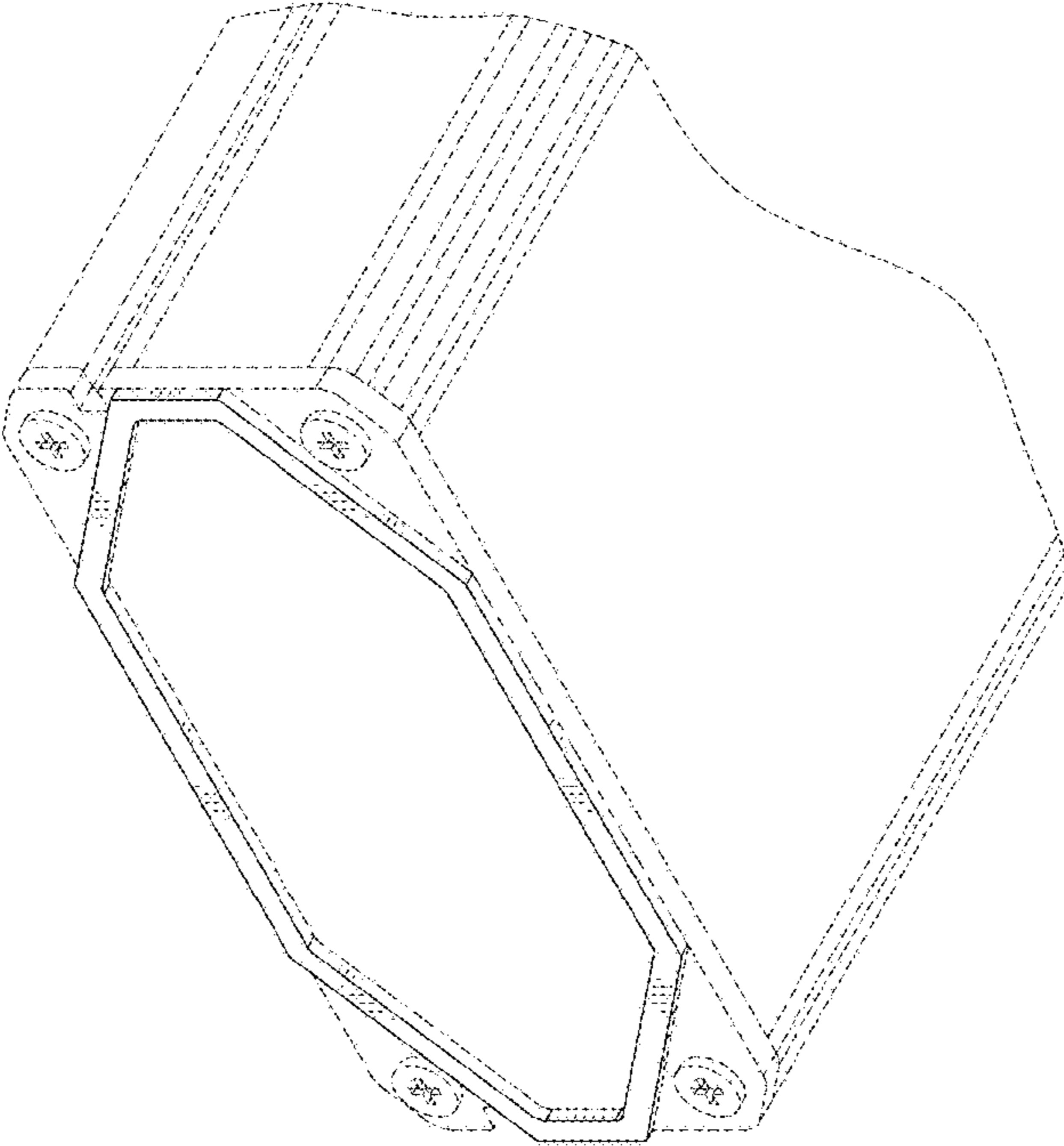


FIG. 10