



US00D843943S

(12) **United States Design Patent**  
**Yang et al.**

(10) **Patent No.:** **US D843,943 S**  
(45) **Date of Patent:** **\*\* Mar. 26, 2019**

(54) **WI-FI SMART PLUG**

(71) Applicant: **ETEK CITY CORPORATION**,  
Anaheim, CA (US)

(72) Inventors: **Lin Yang**, Shenzhen (CN); **Hai Yang**,  
Shenzhen (CN)

(\*\*) Term: **15 Years**

(21) Appl. No.: **29/623,592**

(22) Filed: **Oct. 25, 2017**

(51) **LOC (11) Cl.** ..... **13-03**

(52) **U.S. Cl.**  
USPC ..... **D13/137.2**

(58) **Field of Classification Search**  
USPC ..... D13/137.1–137.4, 138.1–138.2,  
D13/139.1–139.8, 152–154, 108, 110,  
D13/123, 133, 146, 147, 156, 158, 160;  
D14/433, 434  
CPC .. H01R 25/00; H01R 25/006; H01R 13/6675;  
H01R 13/44; H01R 13/627; H01R  
13/447; H01R 13/73; H01R 13/66; H01R  
13/60; H01R 25/165; H05K 5/00; H05K  
5/03; H03R 13/10; H03R 13/17; H03R  
13/20; H03R 13/5829

See application file for complete search history.

(56) **References Cited**

**U.S. PATENT DOCUMENTS**

D352,472 S *	11/1994	Chen	.....	D10/30
D432,990 S *	10/2000	Stekelenburg	.....	D13/137.3
D582,346 S *	12/2008	Zhou	.....	D13/137.2
D609,642 S *	2/2010	Gandolfi	.....	D13/137.2
8,142,199 B1 *	3/2012	Almouli	.....	H01R 25/142 439/10
D660,229 S *	5/2012	Tseng	.....	D13/110
D669,029 S *	10/2012	Huang	.....	D13/110
8,465,307 B2 *	6/2013	Shieh	.....	H01R 31/06 439/173

(Continued)

*Primary Examiner* — Rosemary K Tarcza

*Assistant Examiner* — Christy M Nemeth

(74) *Attorney, Agent, or Firm* — Tsz Lung Yeung

(57) **CLAIM**

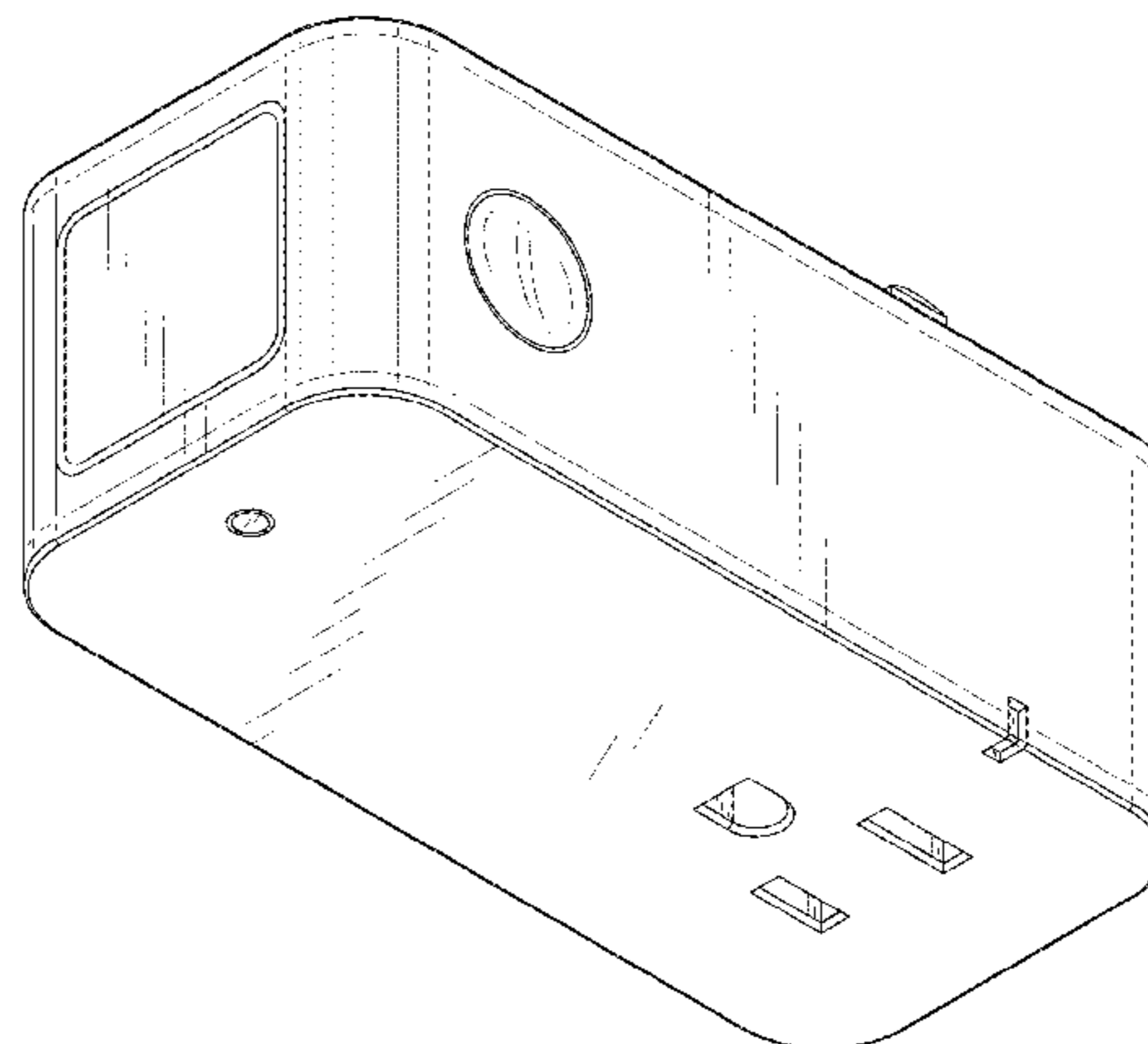
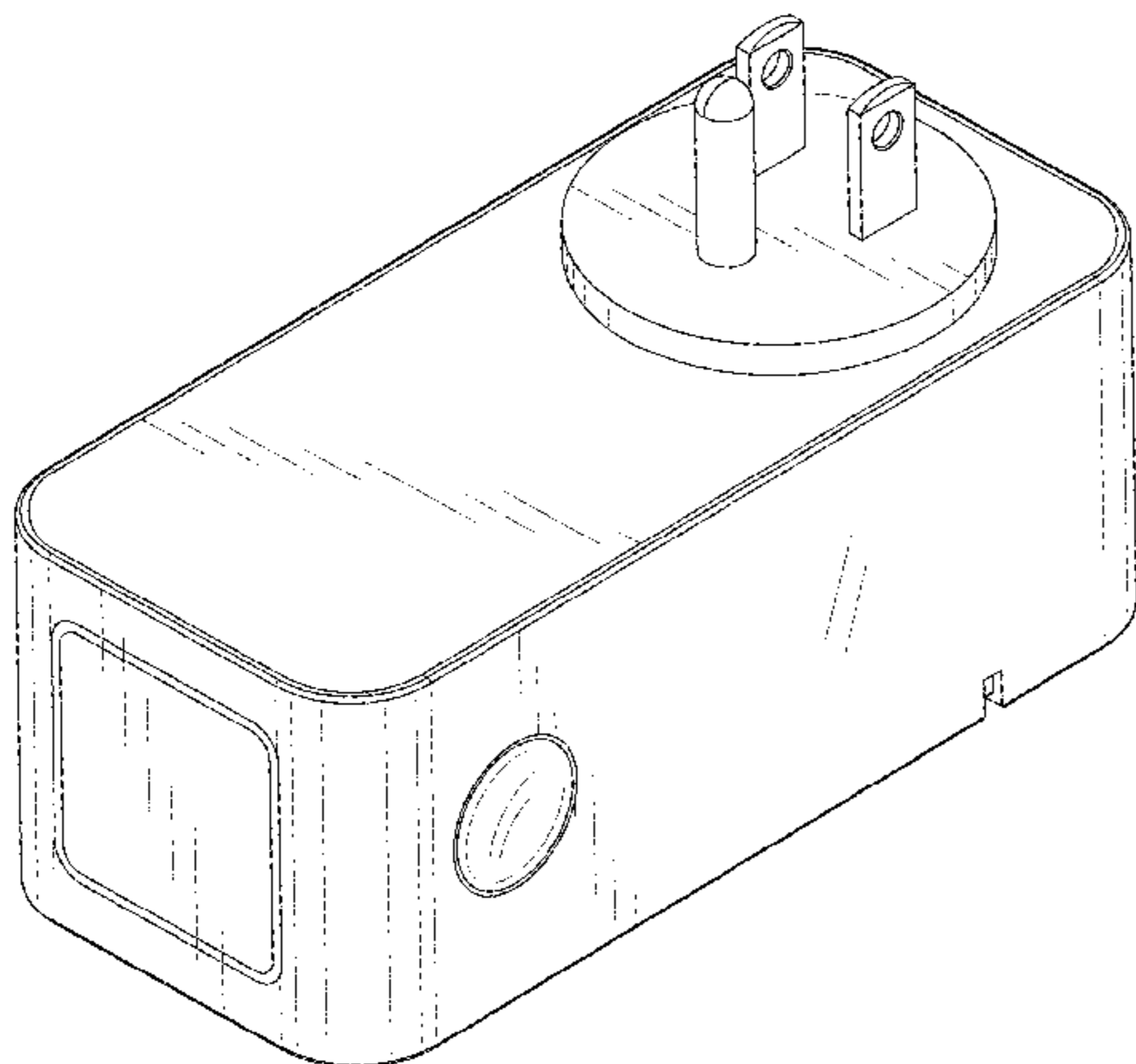
The ornamental design for a wi-fi smart plug, as shown and described.

**DESCRIPTION**

FIG. 1 is a perspective view of a first embodiment of a wi-fi smart plug of our new design;  
 FIG. 2 is a front view thereof;  
 FIG. 3 is a rear view thereof;  
 FIG. 4 is a left end view thereof;  
 FIG. 5 is a right end view thereof;  
 FIG. 6 is a top view thereof;  
 FIG. 7 is a bottom view thereof;  
 FIG. 8 is a front, bottom perspective view thereof;  
 FIG. 9 is a perspective view of a second embodiment of a wi-fi smart plug of our new design;  
 FIG. 10 is a front view thereof;  
 FIG. 11 is a rear view thereof;  
 FIG. 12 is a left end view thereof;  
 FIG. 13 is a right end view thereof;  
 FIG. 14 is a top view thereof;  
 FIG. 15 is a bottom view thereof;  
 FIG. 16 is a front, bottom perspective view thereof;  
 FIG. 17 is a perspective view of a third embodiment of a wi-fi smart plug showing my new design;  
 FIG. 18 is a front view thereof;  
 FIG. 19 is a rear view thereof;  
 FIG. 20 is a left end view thereof;  
 FIG. 21 is a right end view thereof;  
 FIG. 22 is a top view thereof;  
 FIG. 23 is a bottom view thereof; and,  
 FIG. 24 is a front, bottom perspective view thereof.

The broken lines in the drawings are for the purpose of illustrating portions of the wi-fi smart plug that form no part of the claimed design.

**1 Claim, 24 Drawing Sheets**



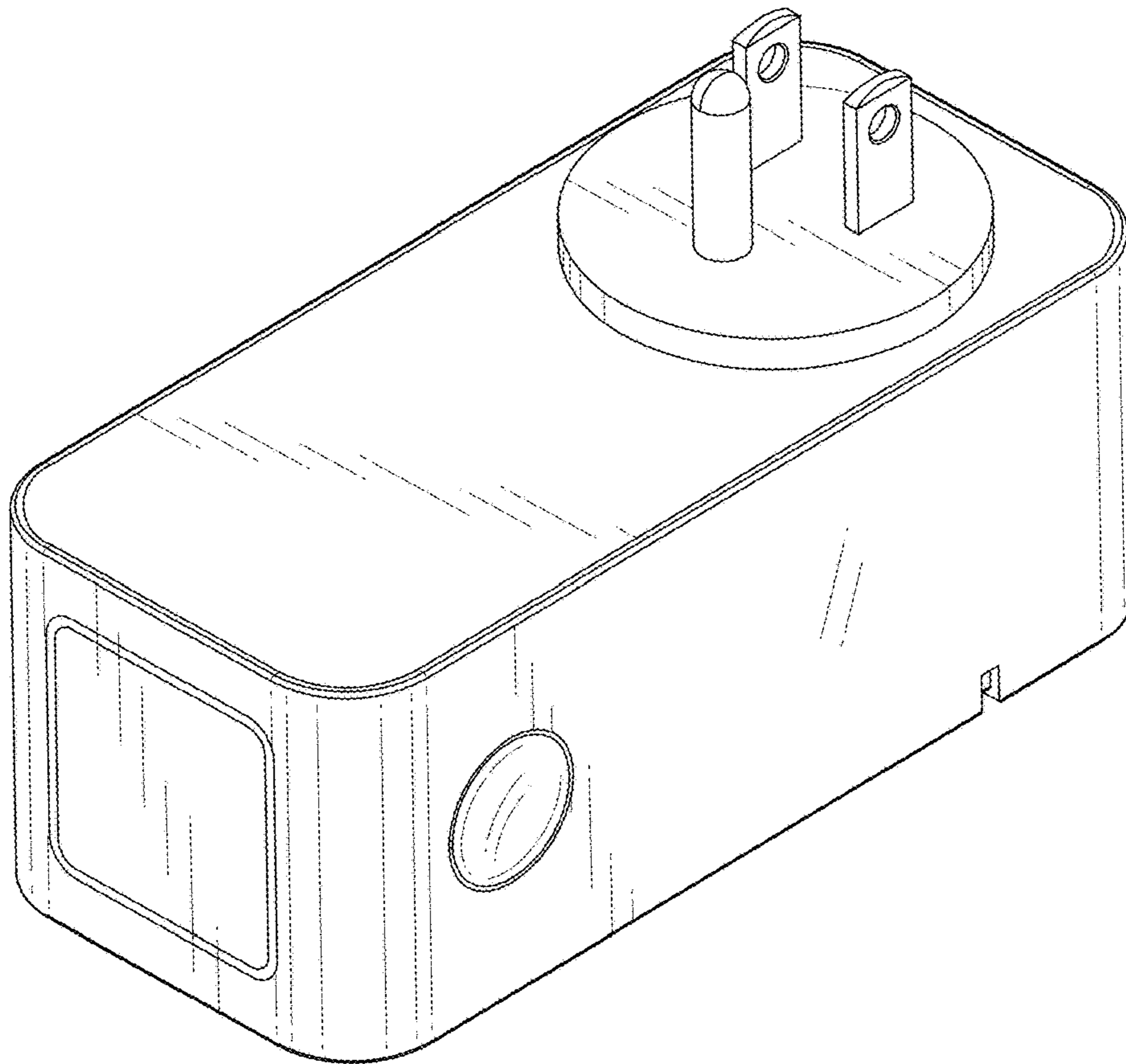
(56)

**References Cited**

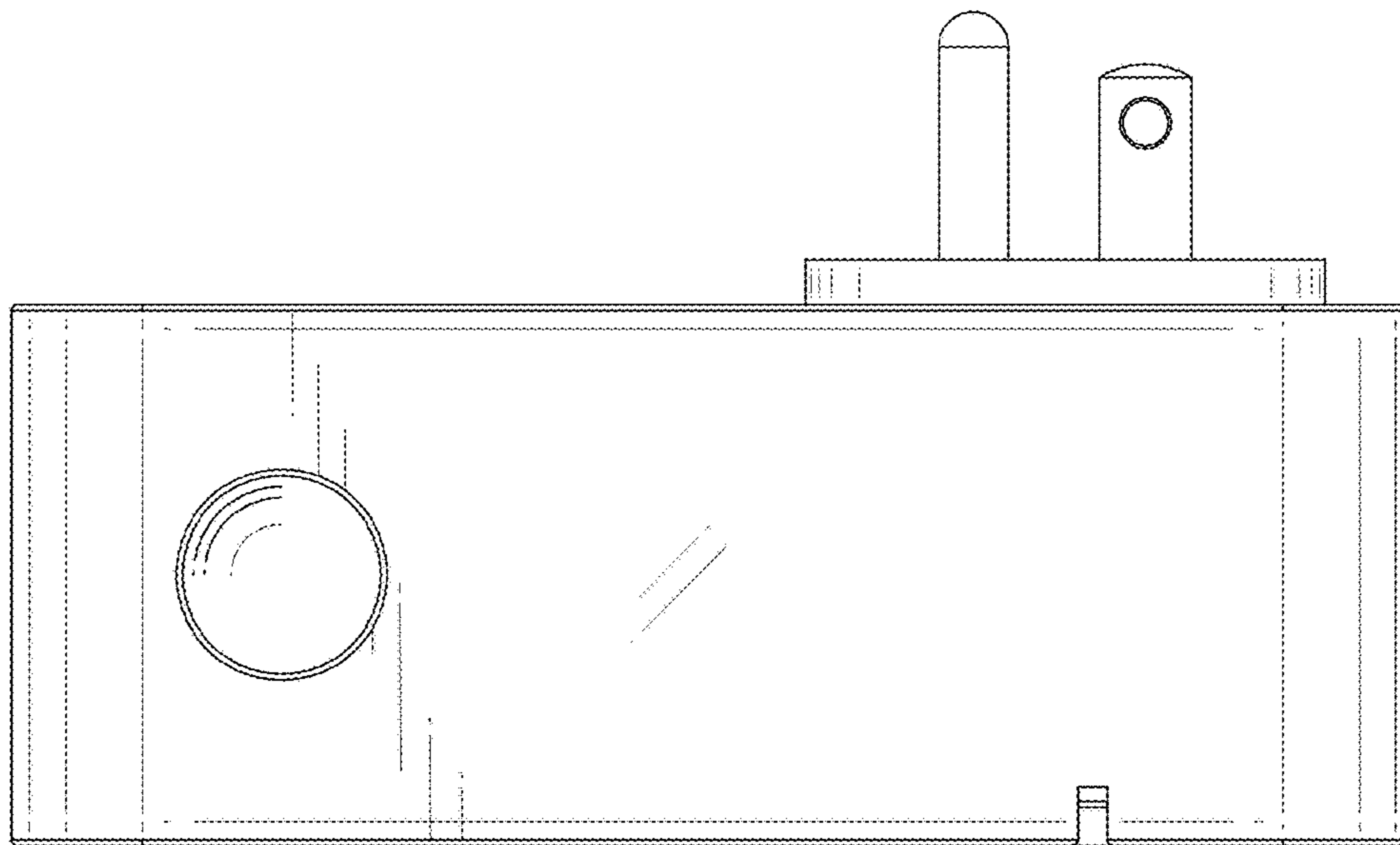
U.S. PATENT DOCUMENTS

8,469,730 B2 \* 6/2013 Garb ..... H01R 31/065  
439/107  
D694,713 S \* 12/2013 Yeo ..... D13/137.1  
D713,788 S \* 9/2014 Hasegawa ..... D13/110  
D734,253 S \* 7/2015 Tinaphong ..... H02J 7/0004  
D13/108  
D756,303 S \* 5/2016 Kellenberger ..... D13/137.1  
9,543,704 B1 \* 1/2017 Hsu ..... H01R 13/645  
9,722,377 B1 \* 8/2017 Cheng ..... H01R 31/06  
D807,827 S \* 1/2018 Lu ..... D13/137.2  
D813,852 S \* 3/2018 Ni ..... D14/240

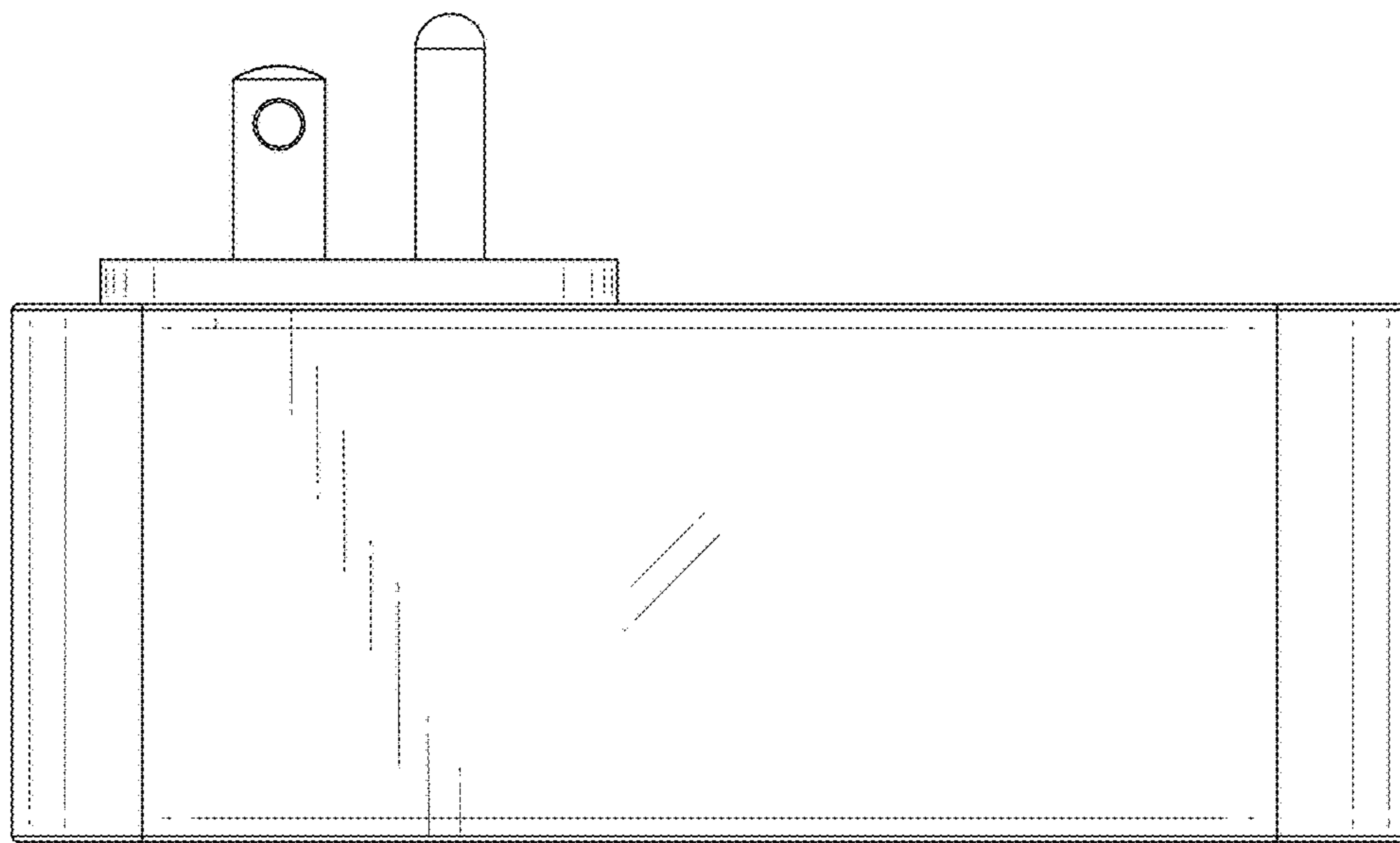
\* cited by examiner



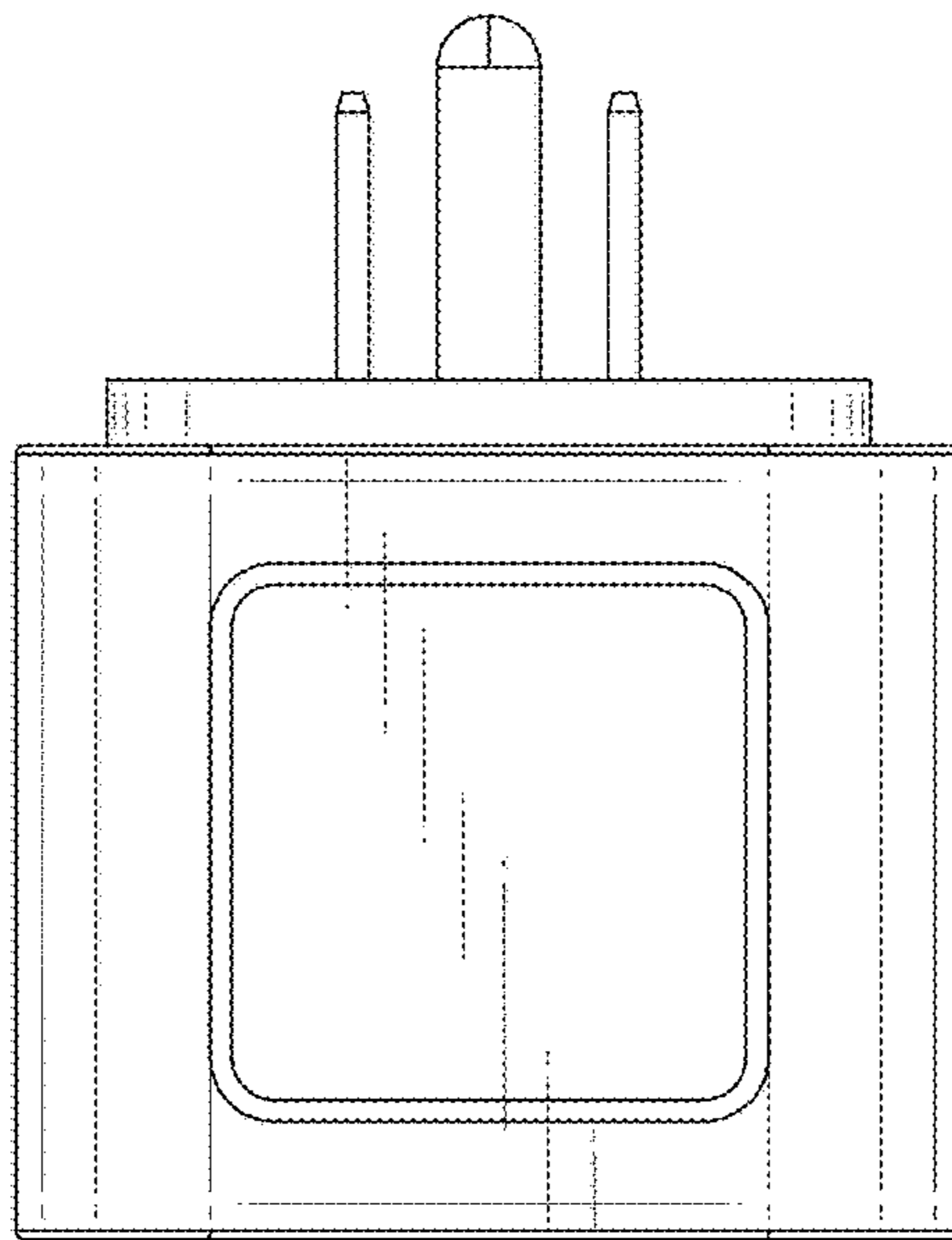
*FIG. 1*



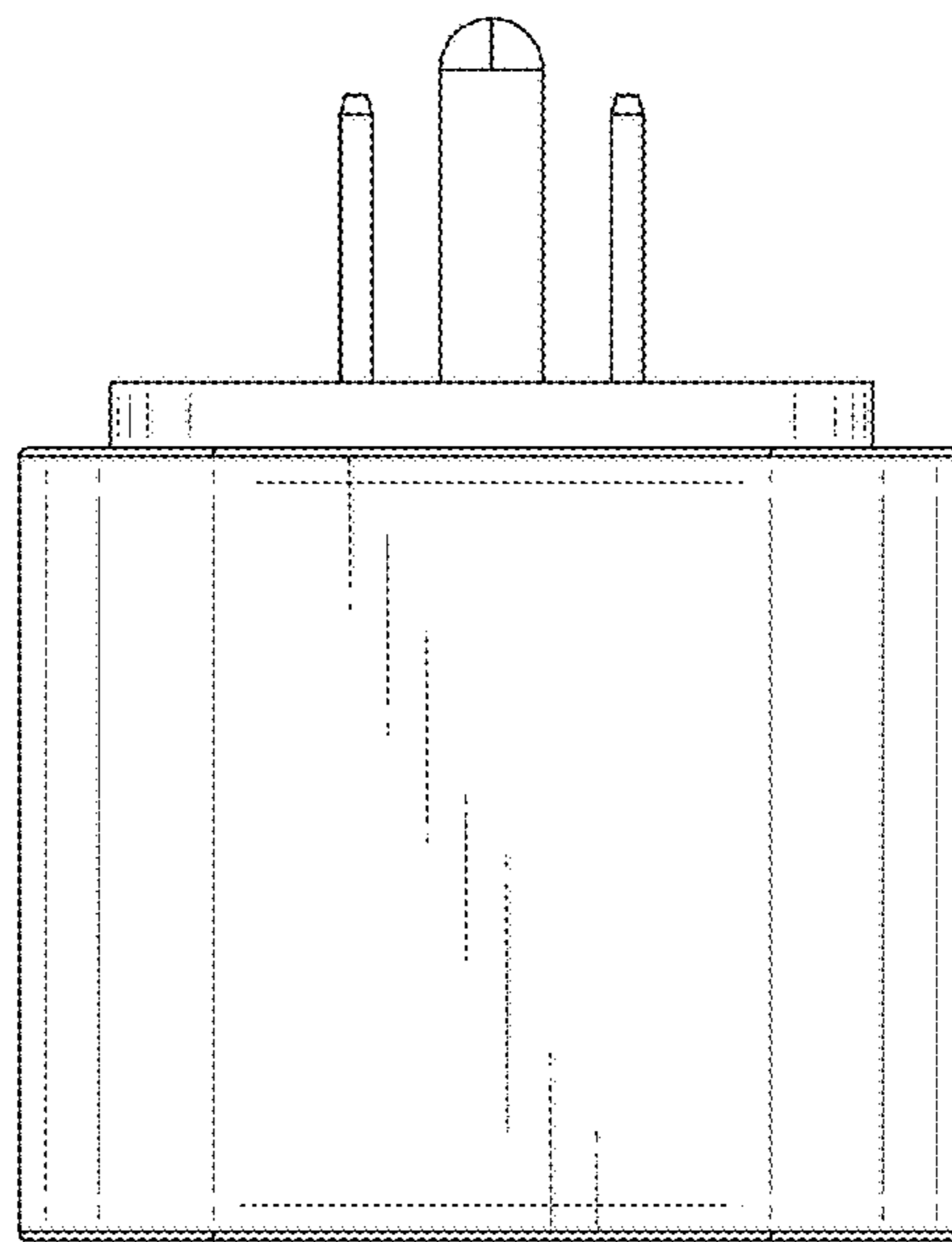
*FIG. 2*



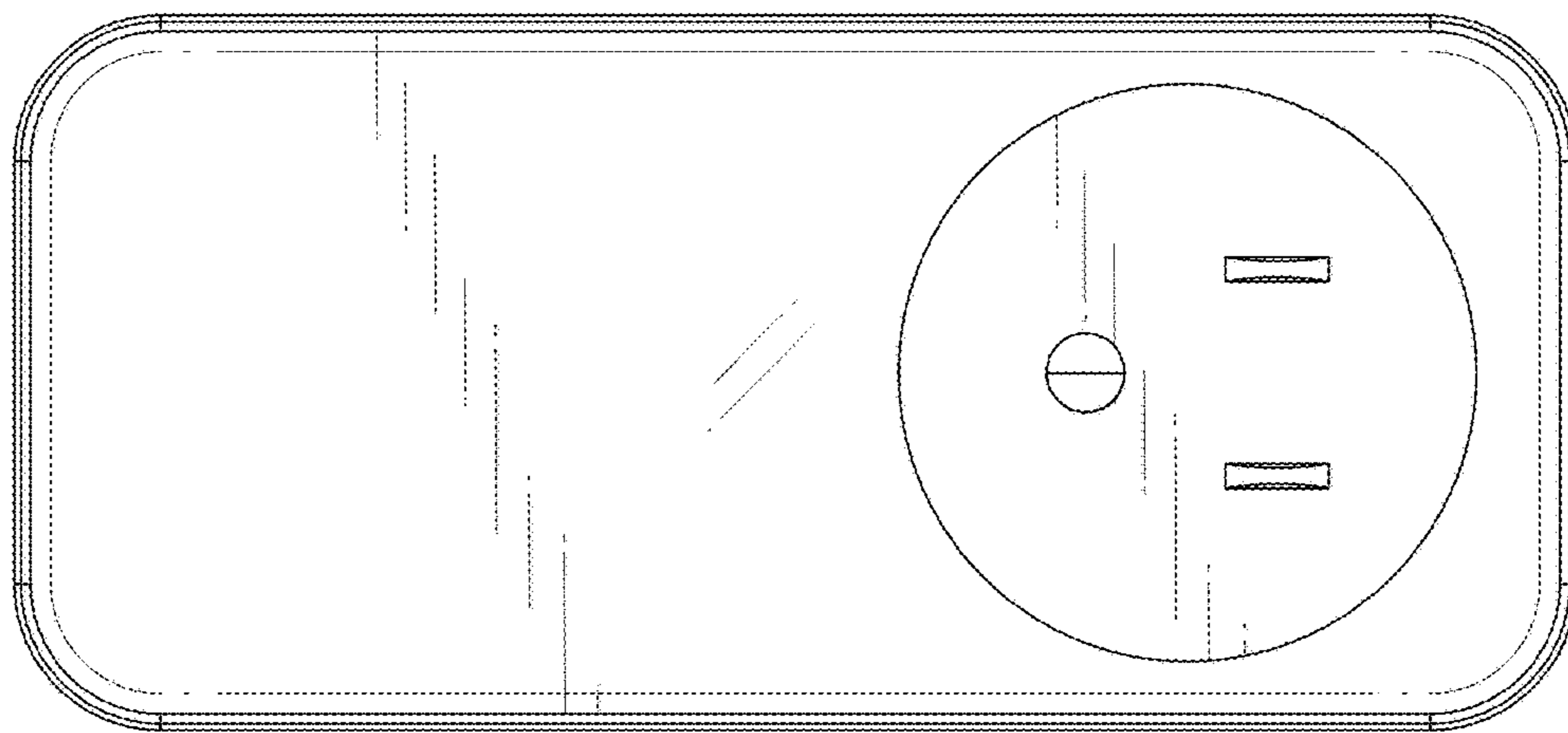
*FIG. 3*



*FIG. 4*

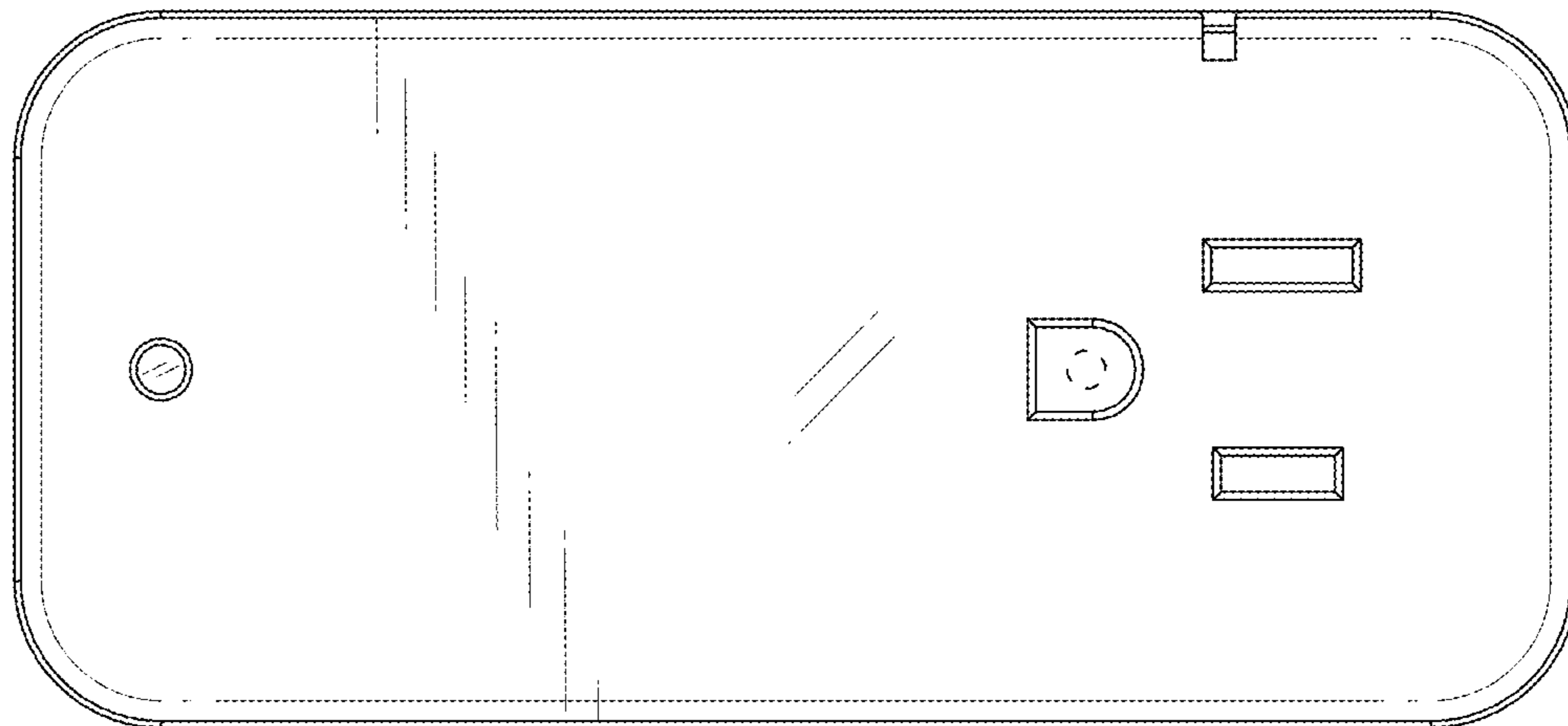


*FIG. 5*

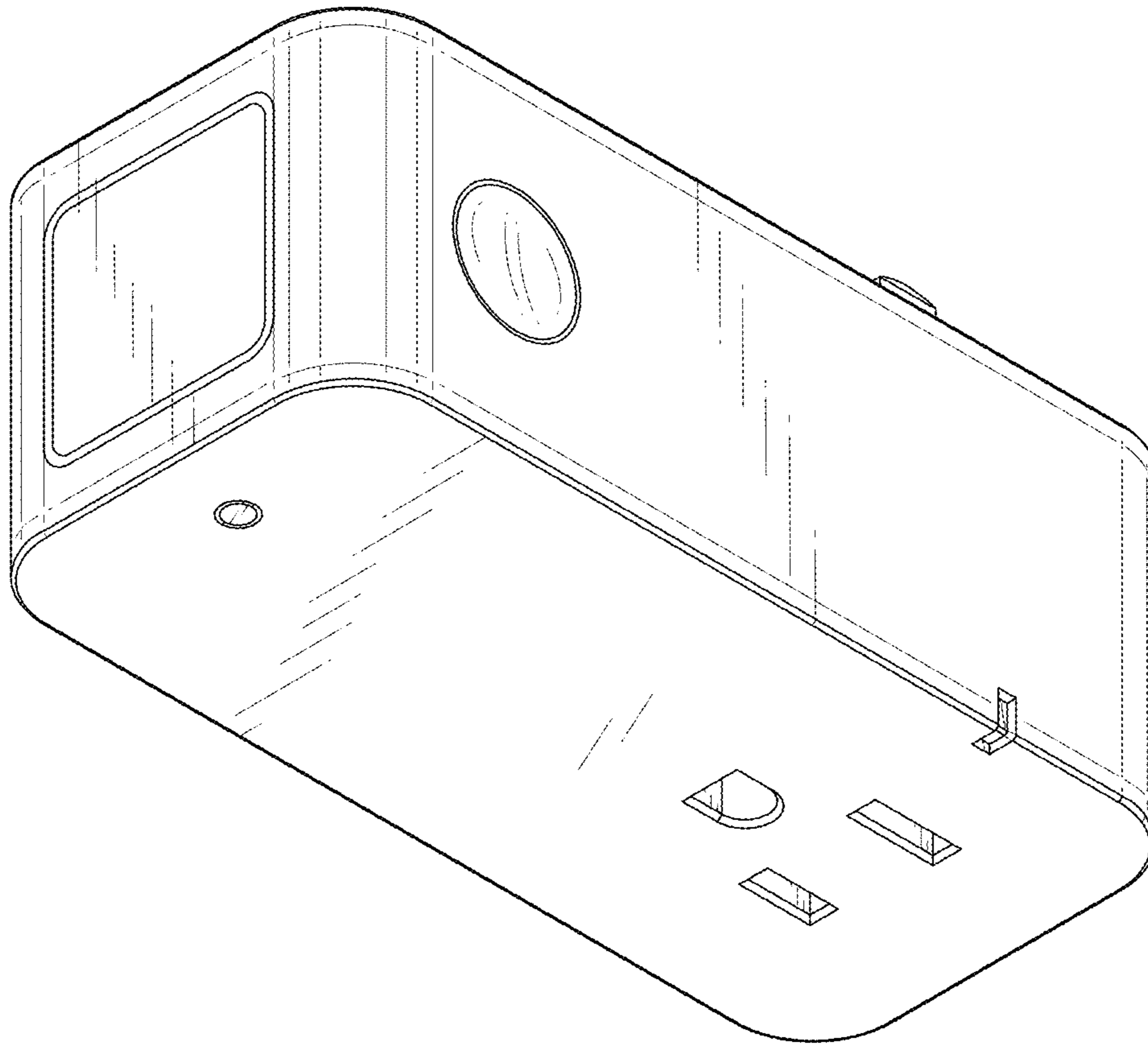


*FIG. 6*

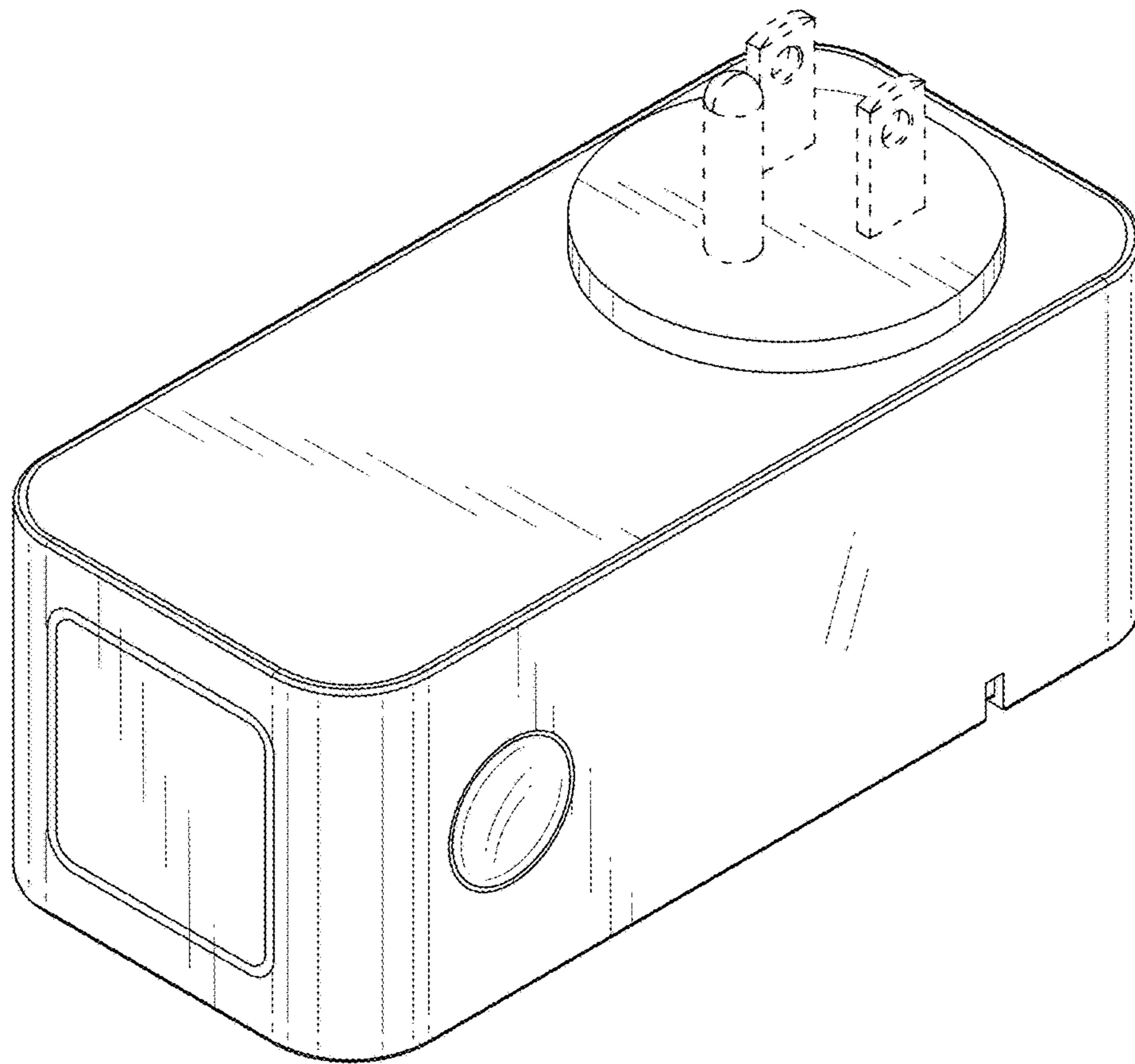




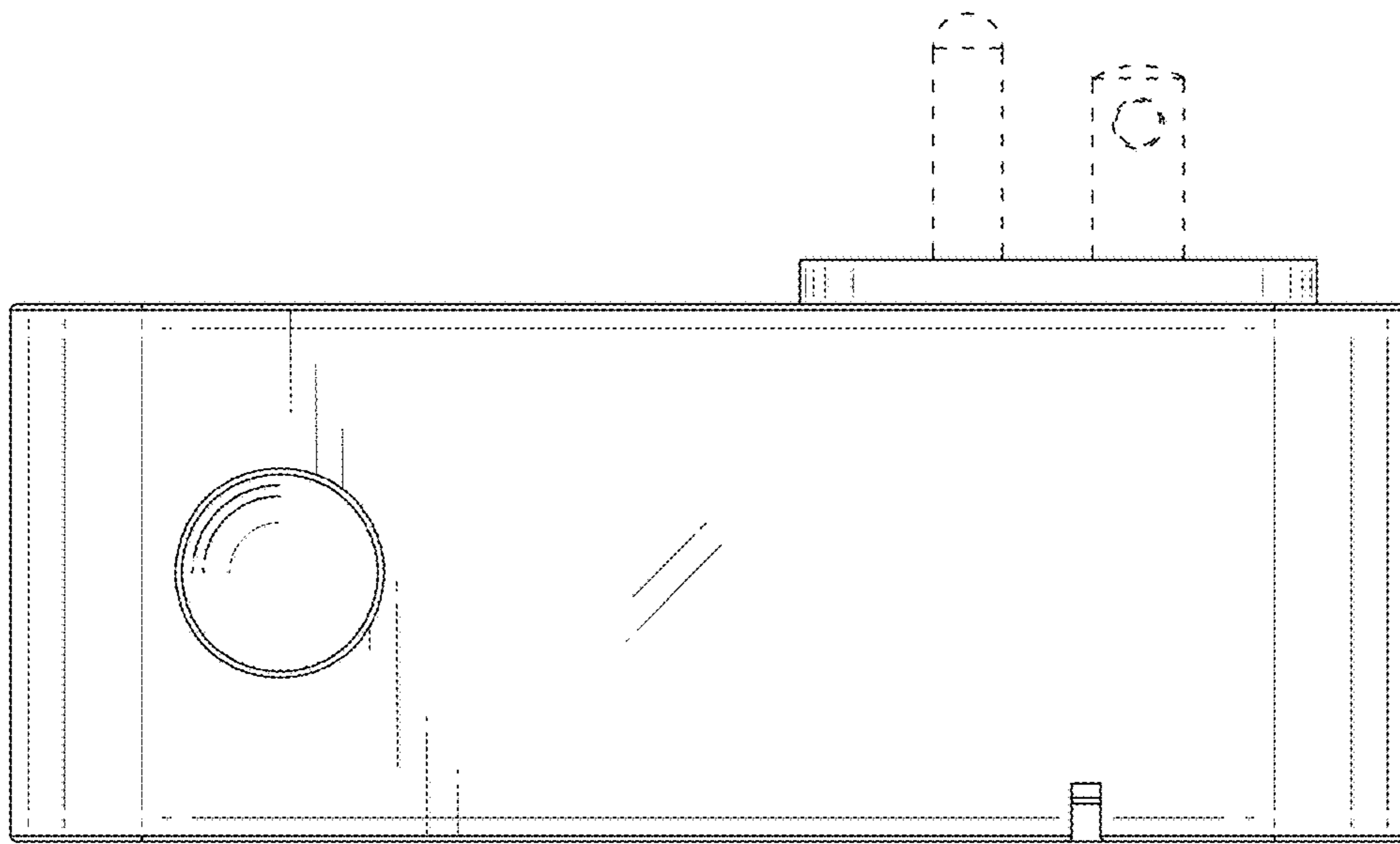
*FIG. 7*



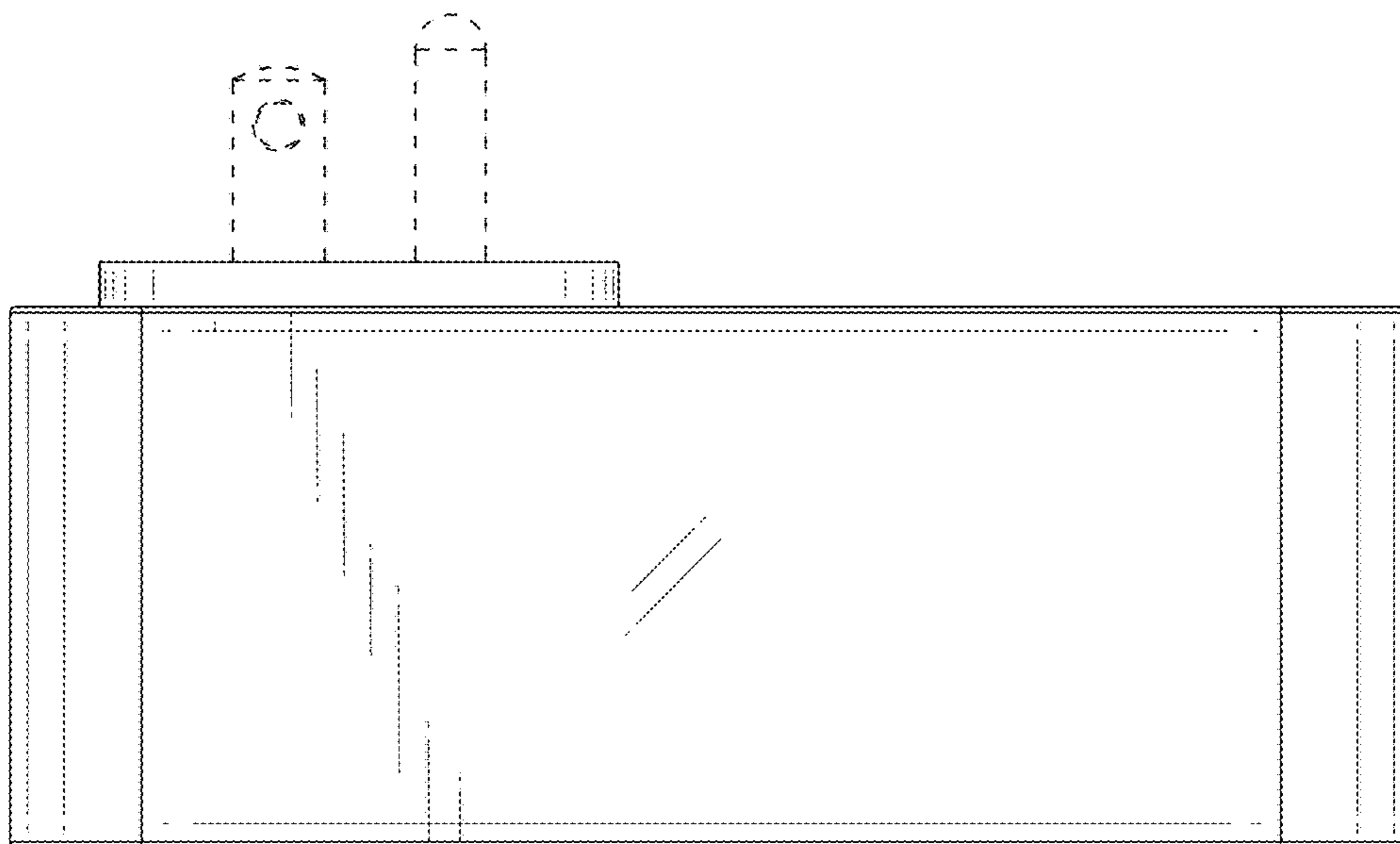
*FIG. 8*



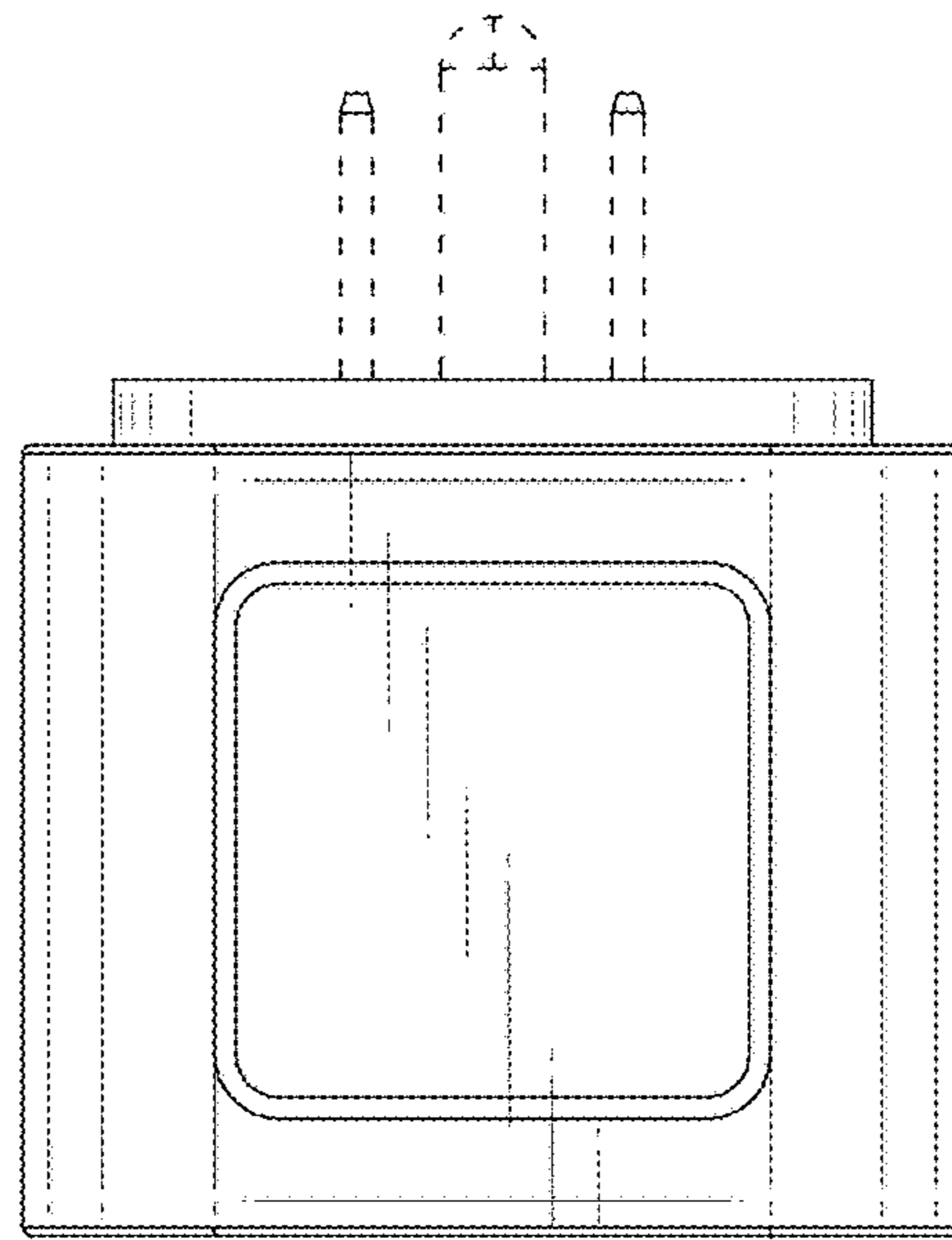
*FIG. 9*



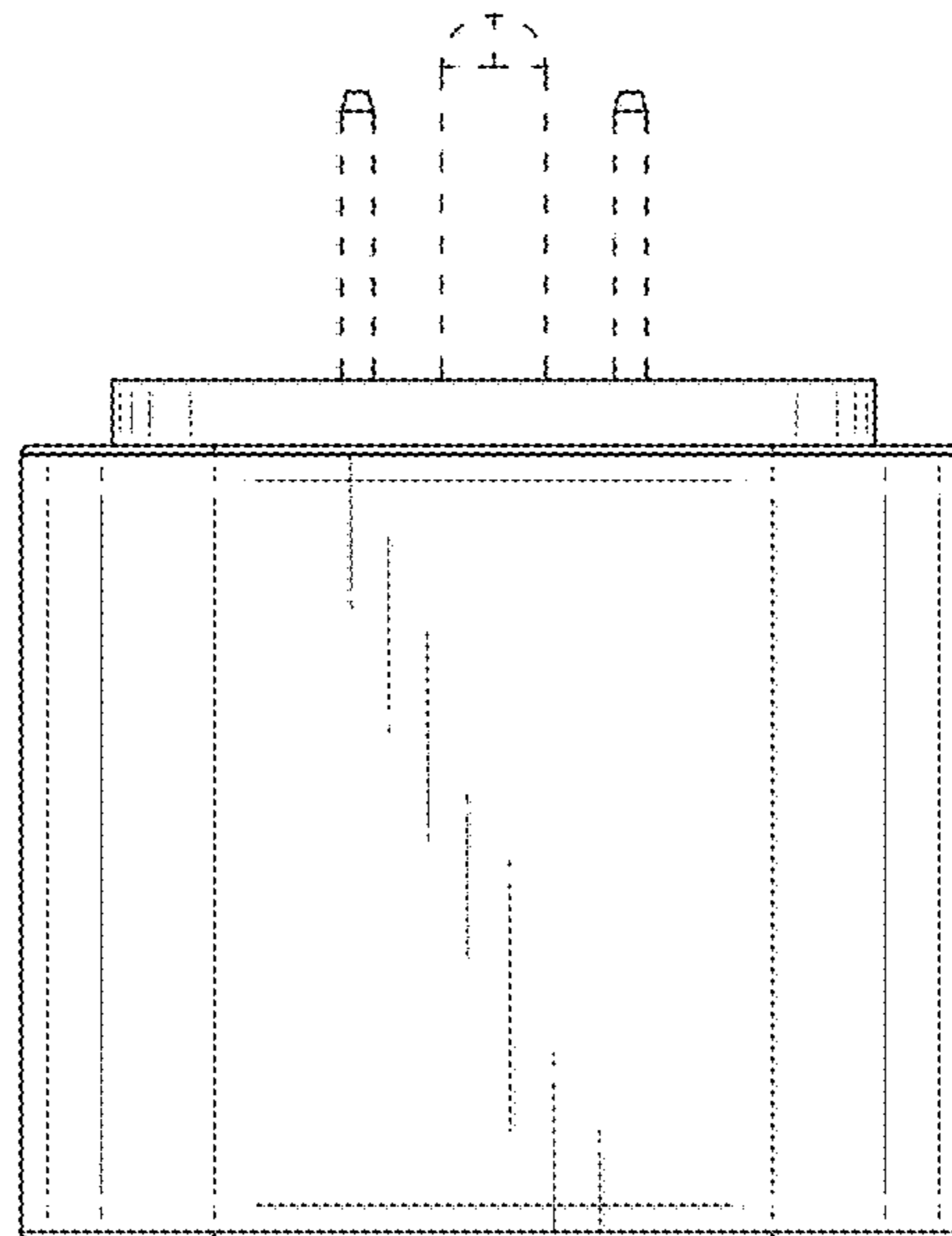
*FIG. 10*



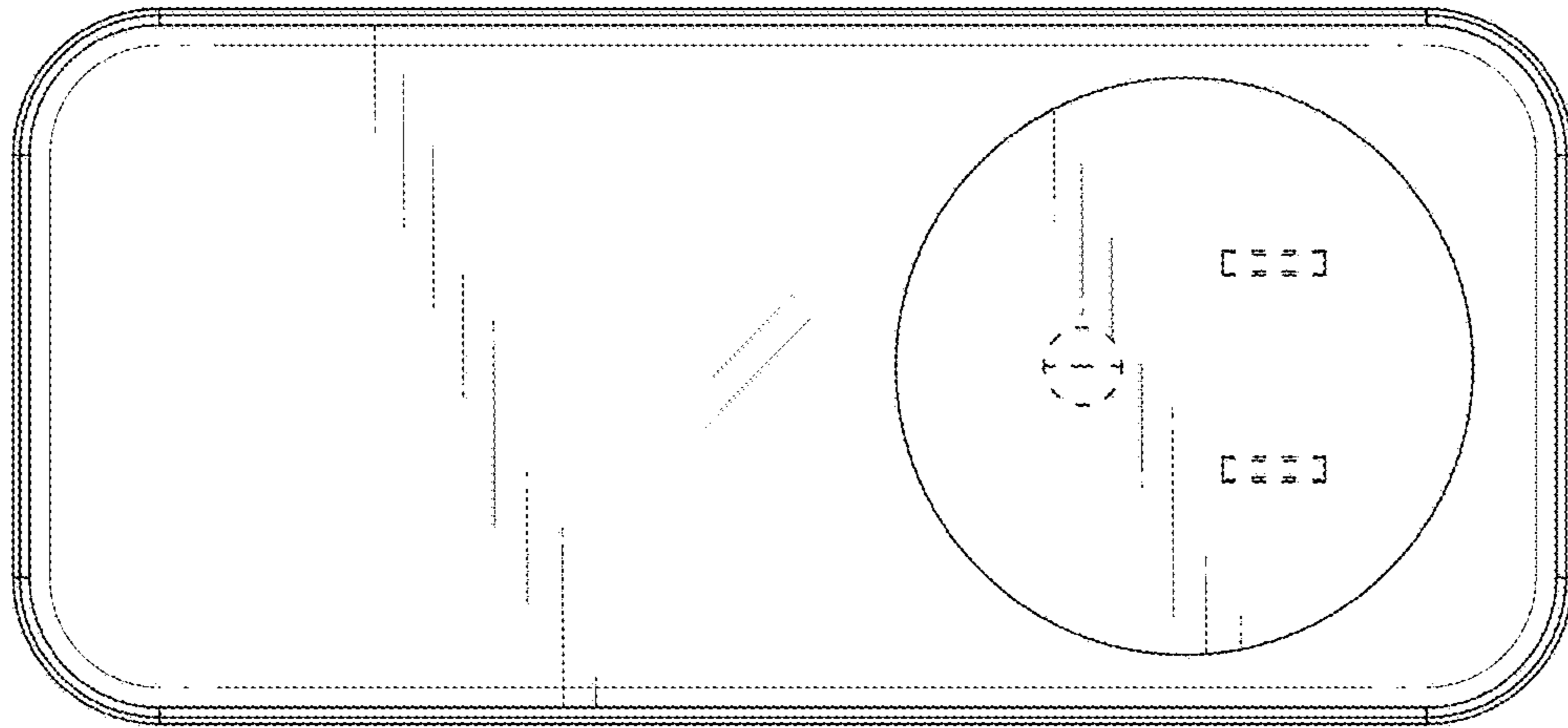
*FIG. 11*



*FIG. 12*

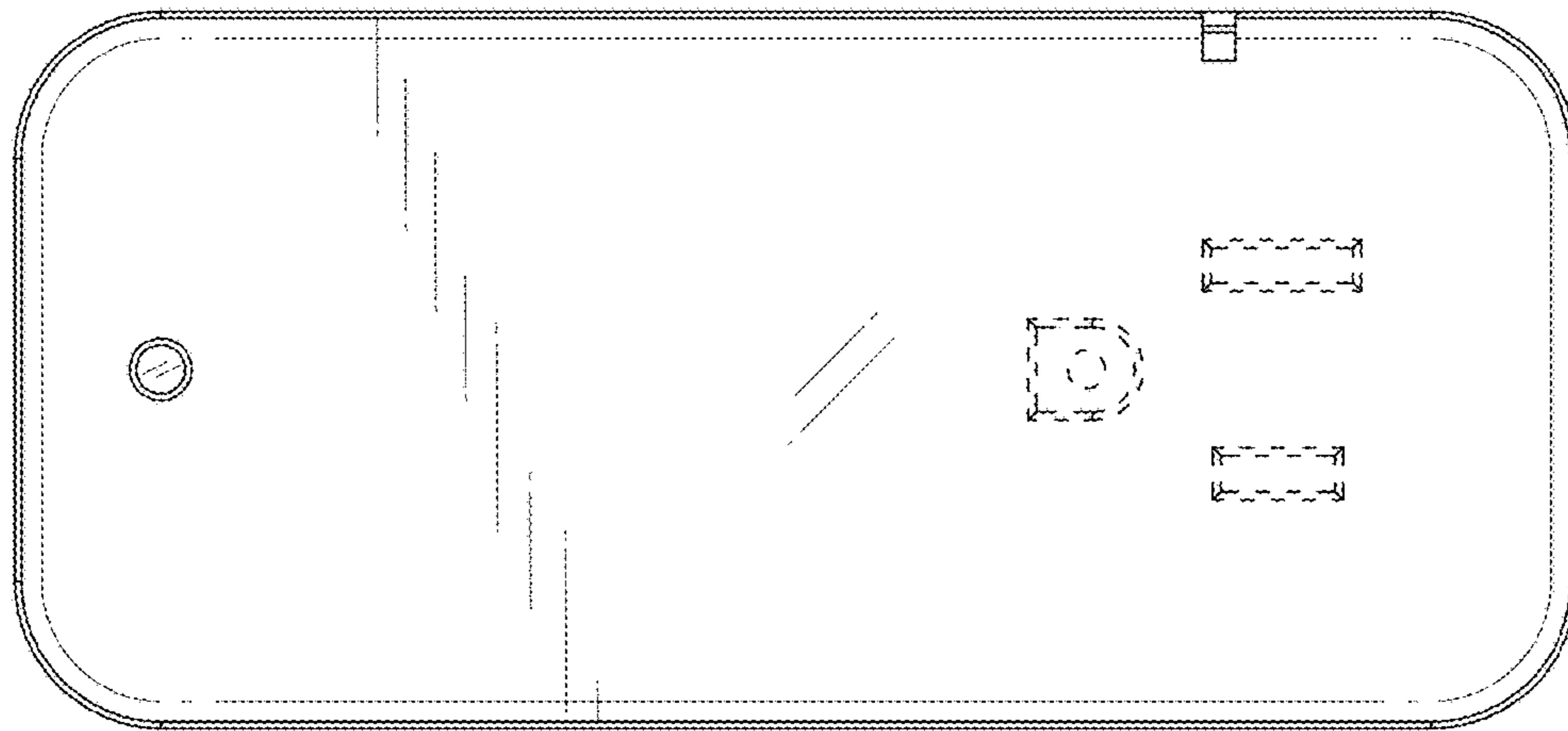


*FIG. 13*

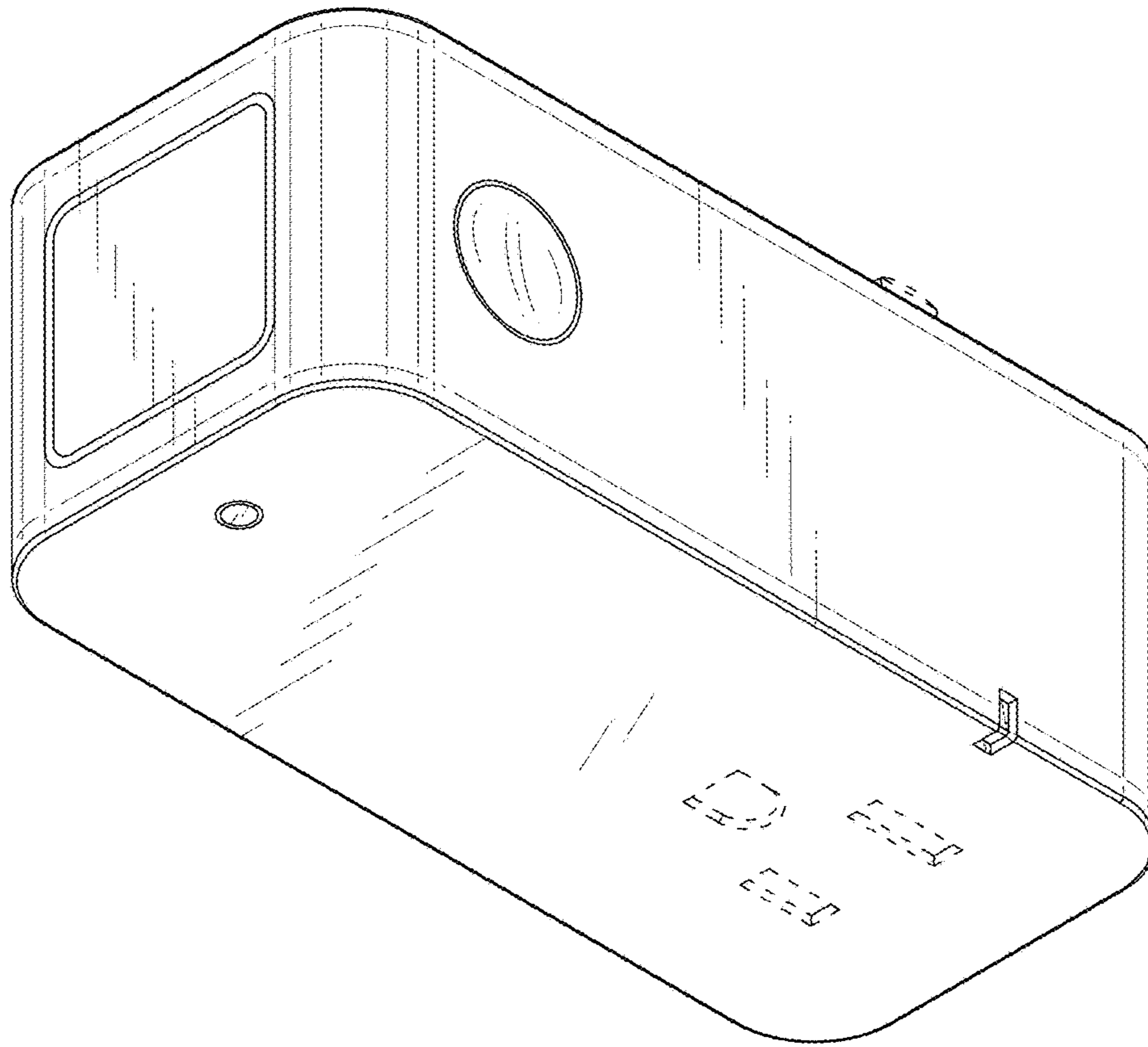


*FIG. 14*

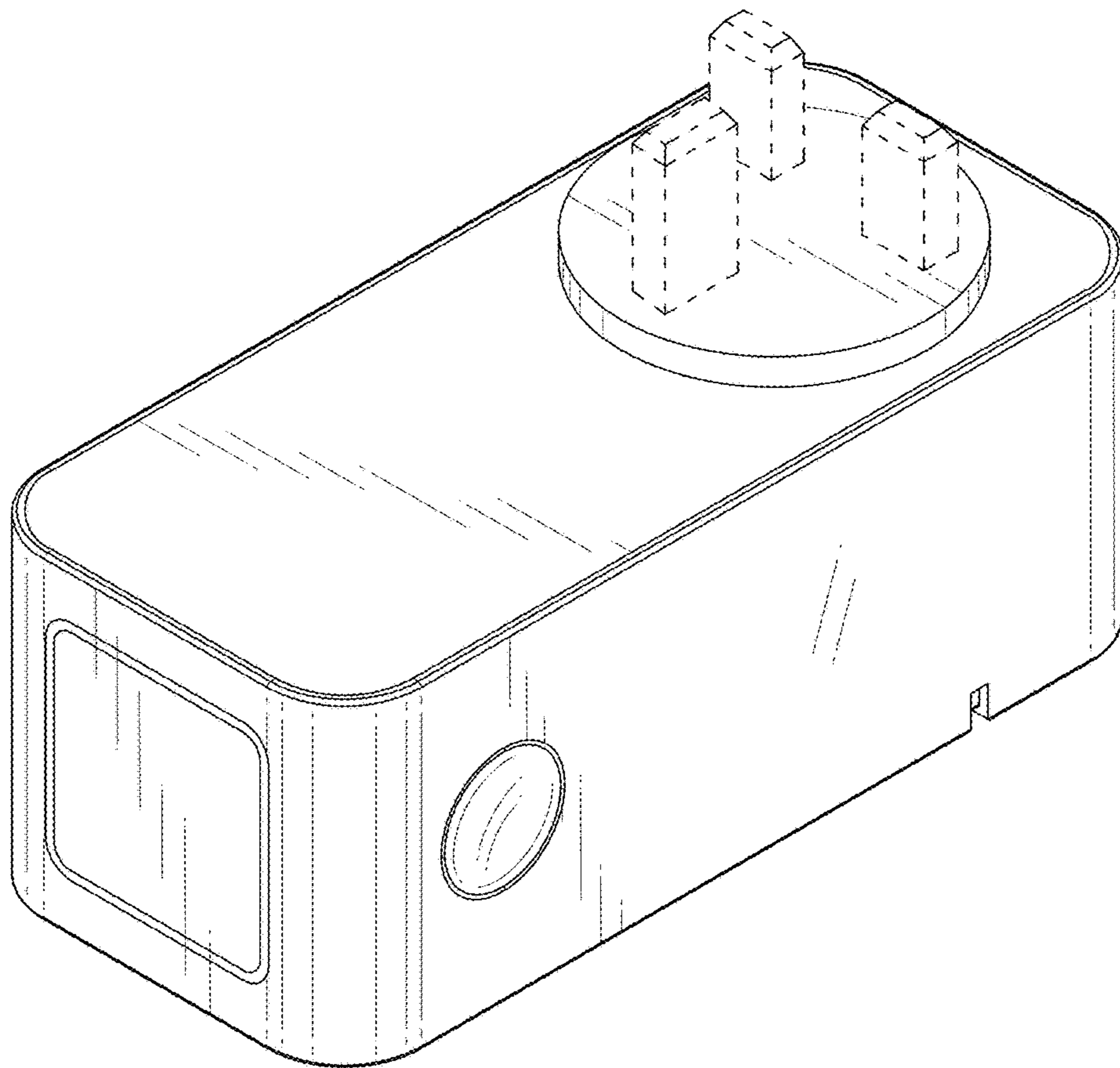




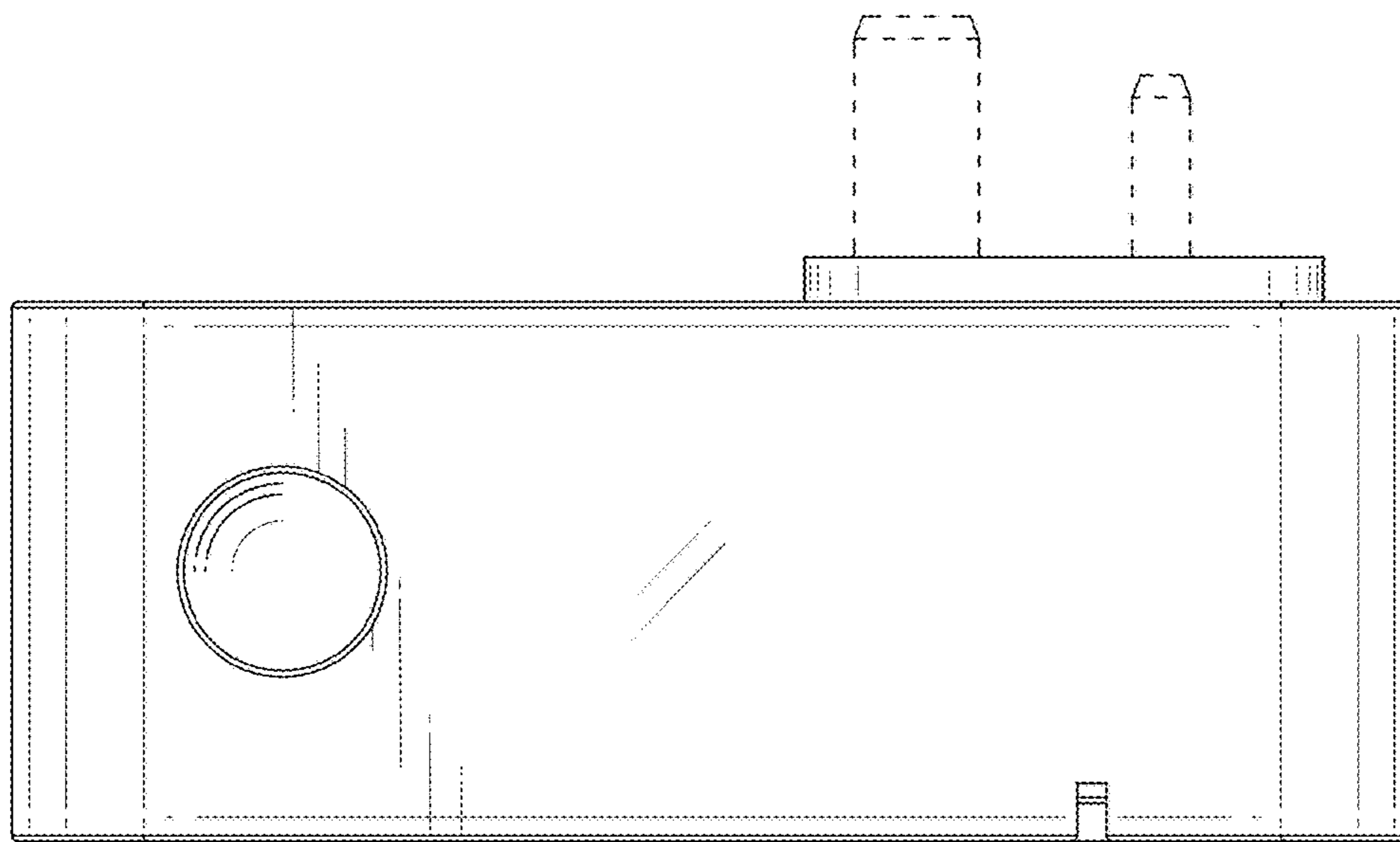
*FIG. 15*



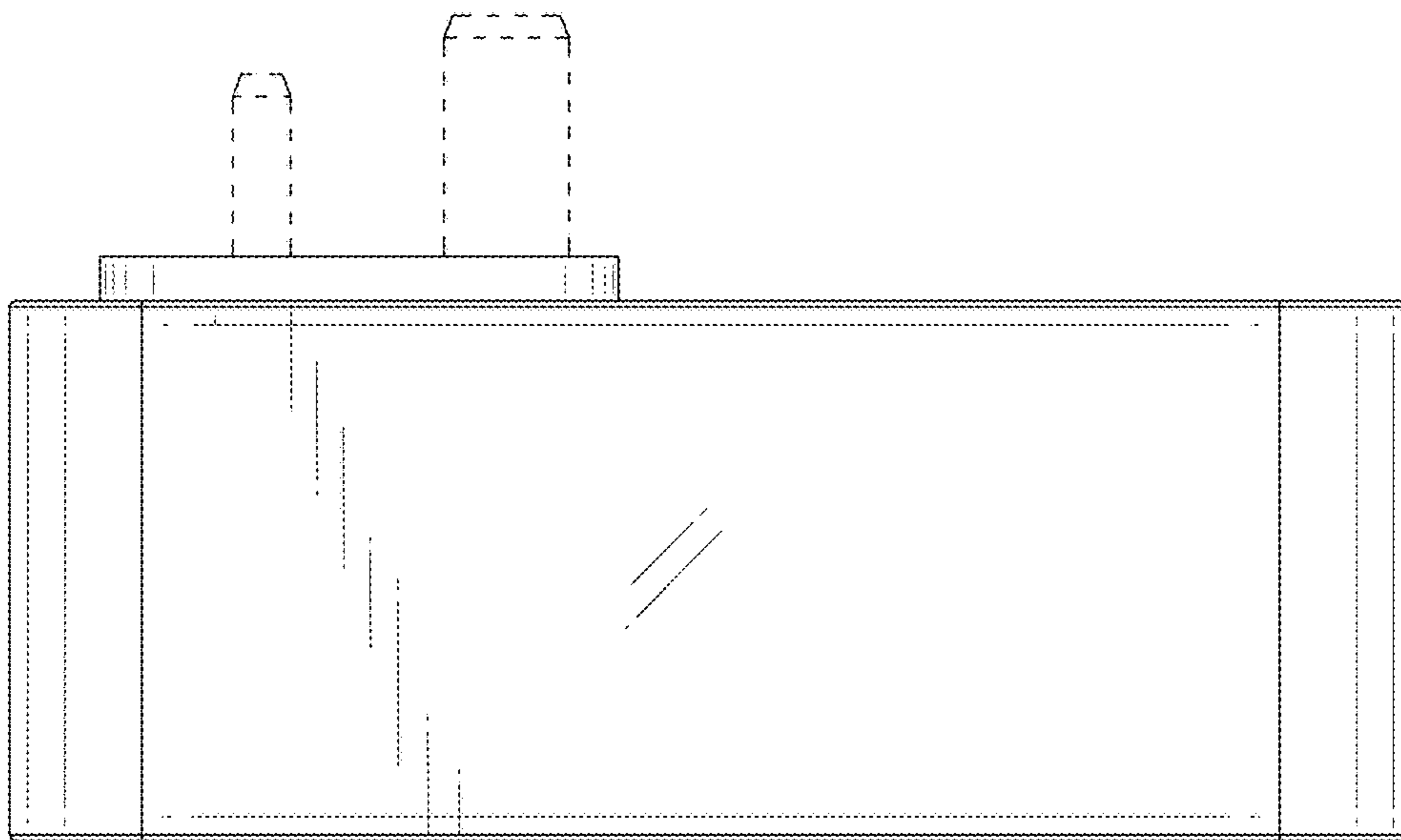
*FIG. 16*



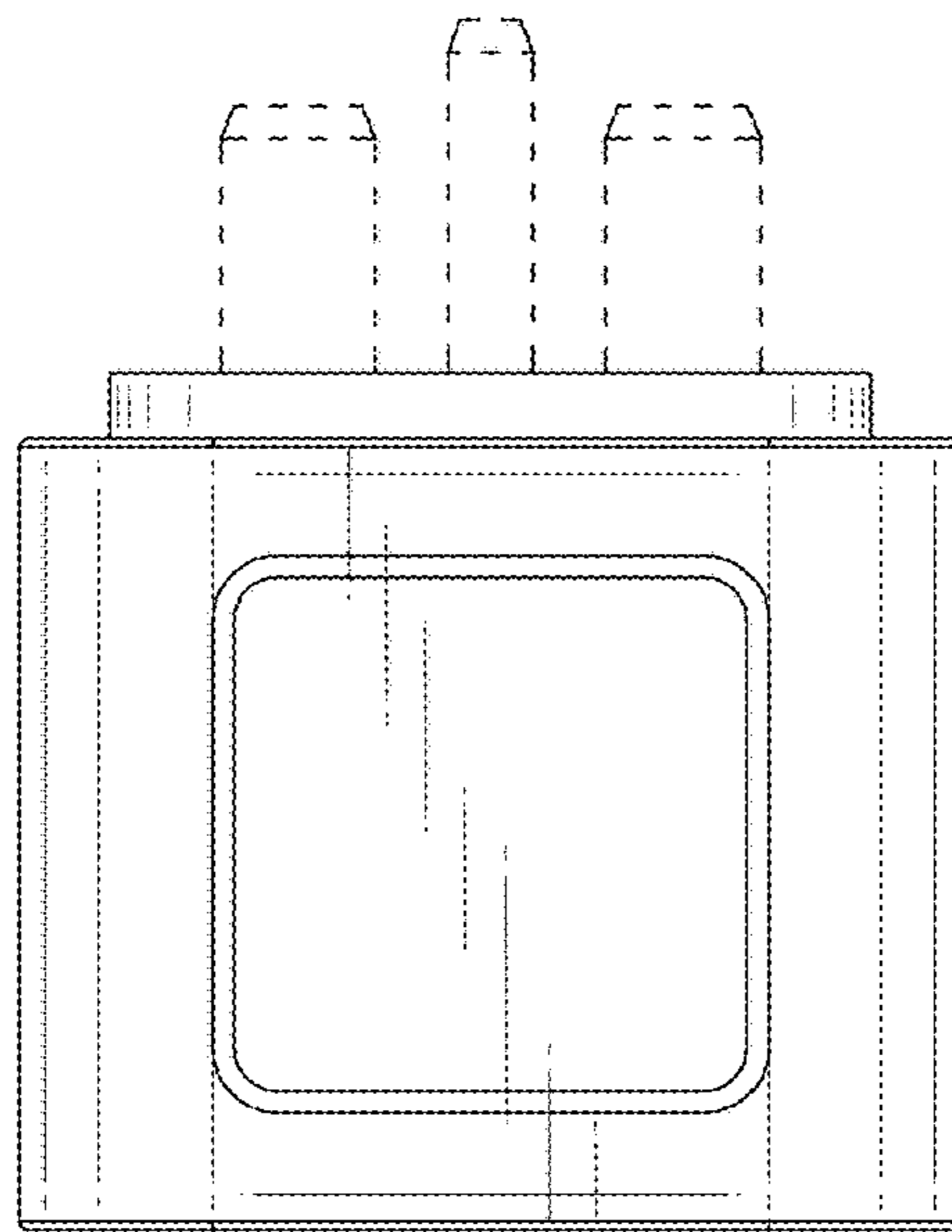
*FIG. 17*



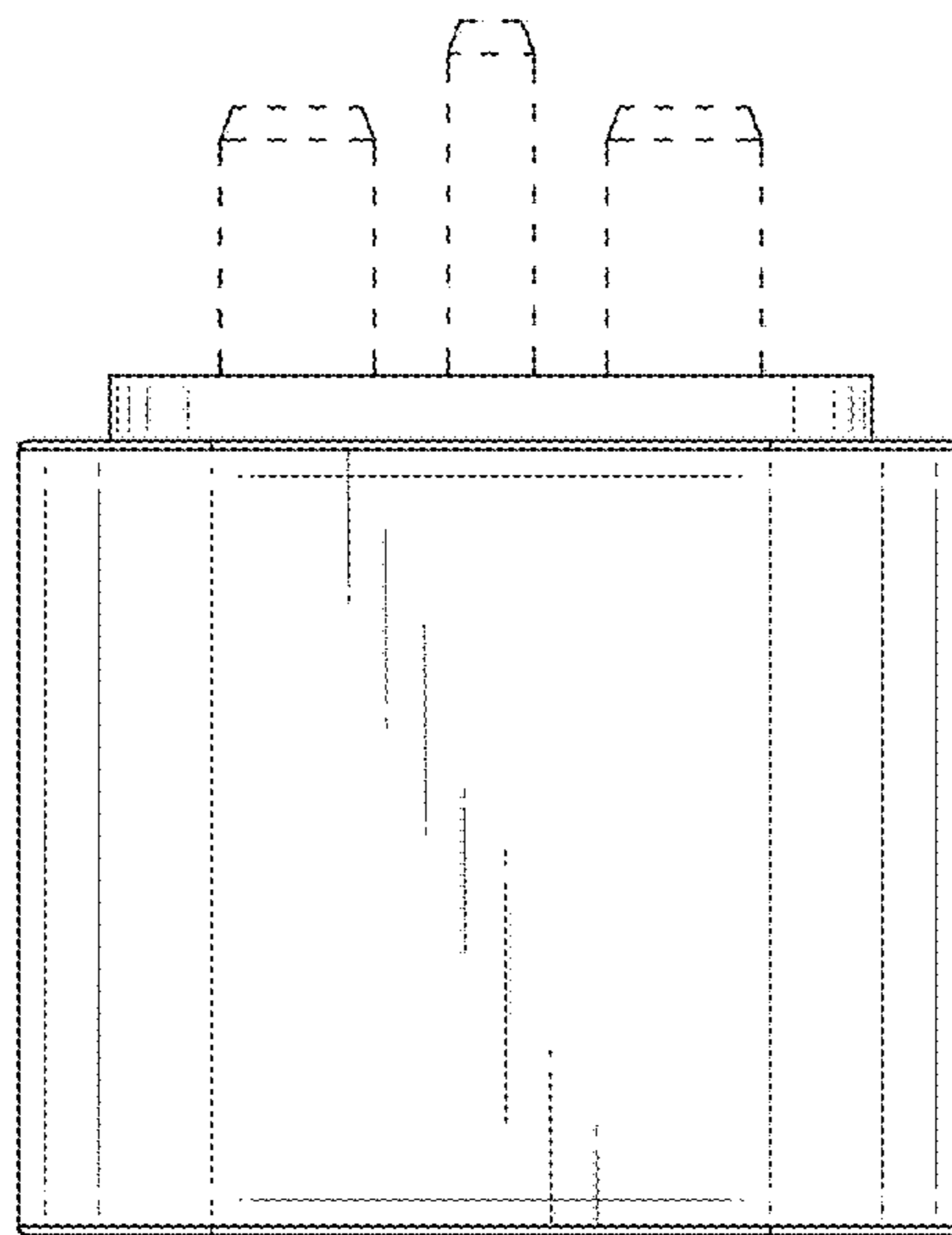
*FIG. 18*



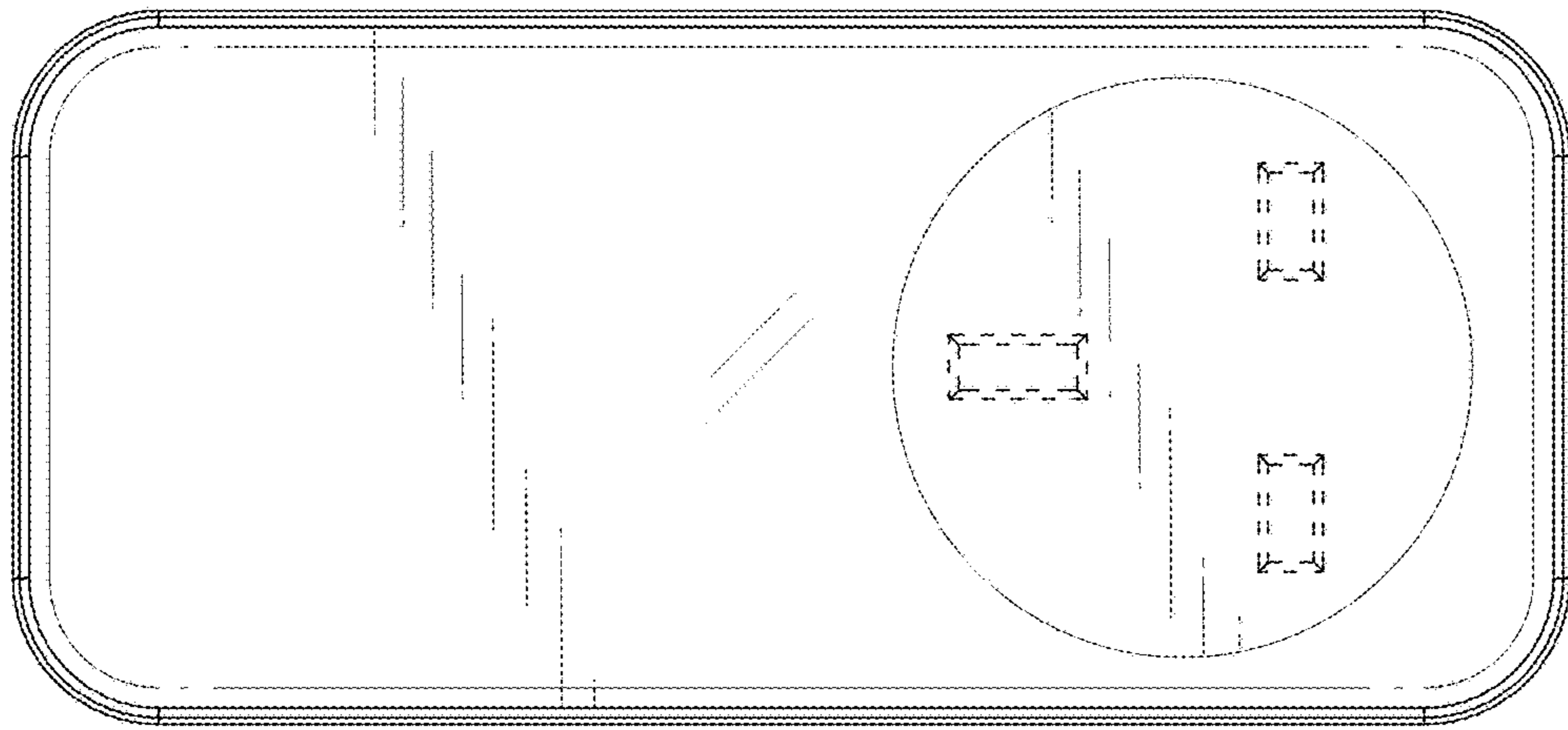
*FIG. 19*



*FIG. 20*

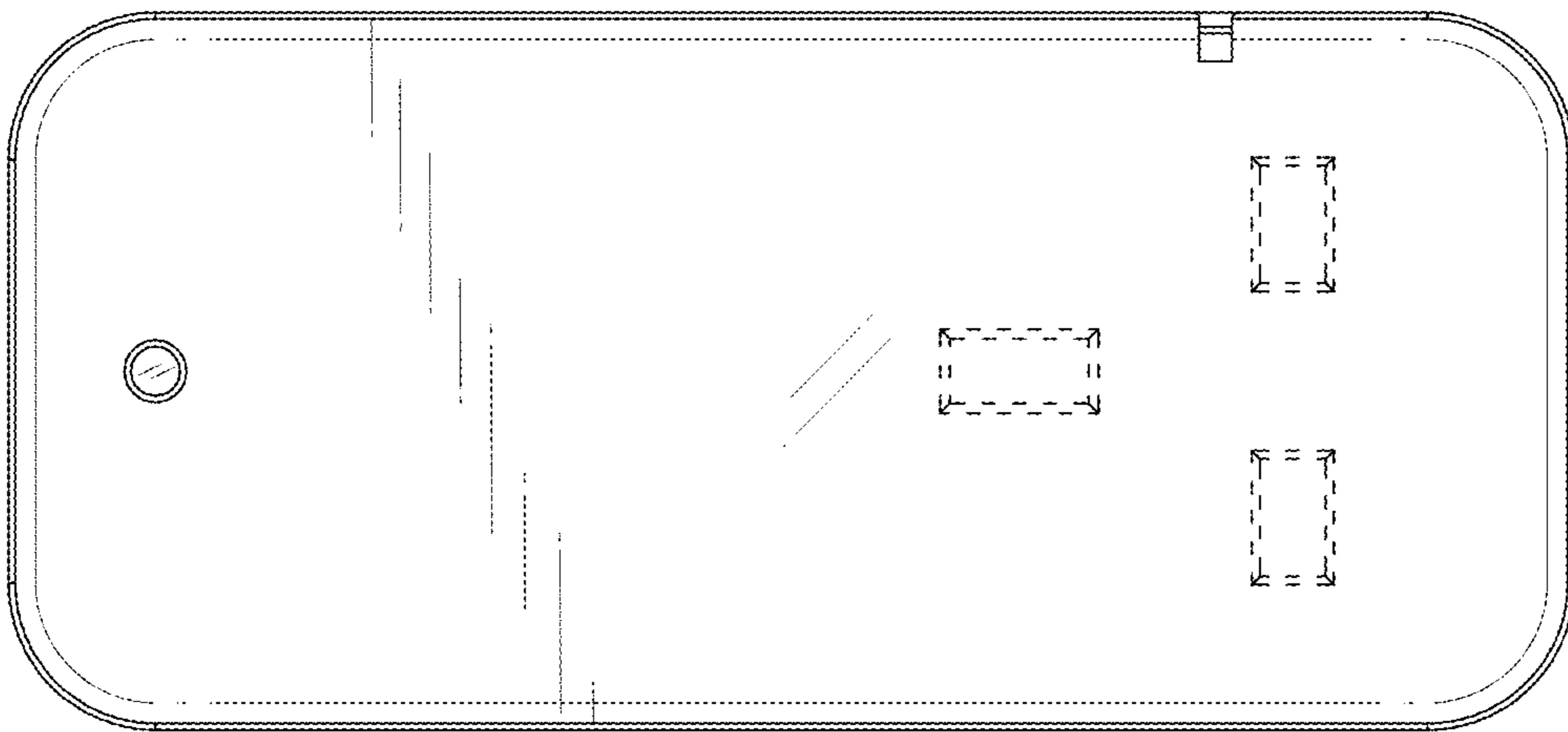


*FIG. 21*



*FIG. 22*





*FIG. 23*

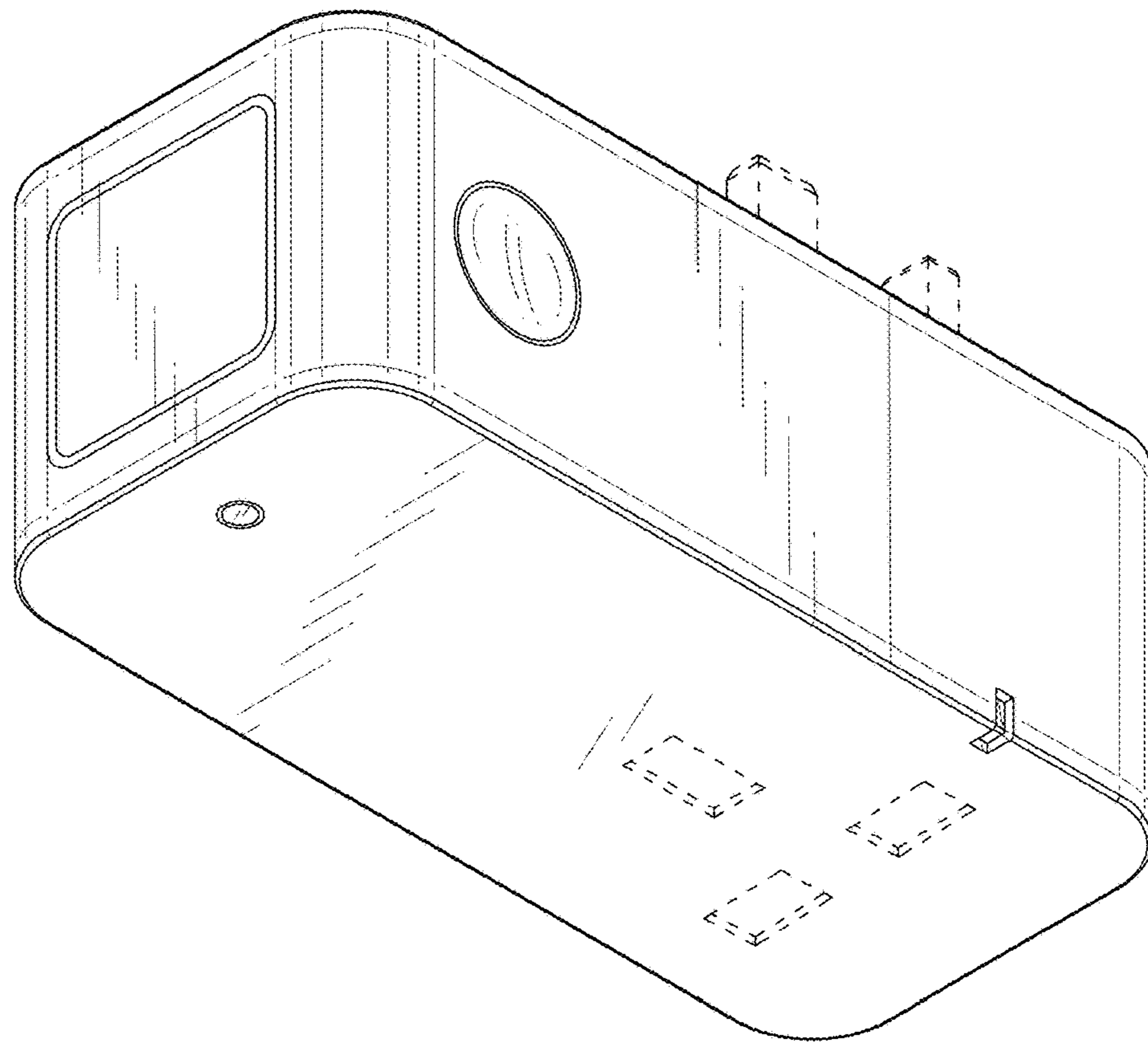


FIG. 24