



US00D843942S

(12) **United States Design Patent**
Kusano et al.

(10) **Patent No.:** **US D843,942 S**
(45) **Date of Patent:** **** Mar. 26, 2019**

(54) **POWER PLUG**

(71) Applicant: **Sonos, Inc.**, Santa Barbara, CA (US)

(72) Inventors: **Mieko Kusano**, Santa Barbara, CA (US); **Roland Bird**, Eindhoven (NL); **Niels van Hoof**, Eindhoven (NL); **Lukasz Natkaniec**, Munich (DE); **Wilfred Wei**, Shanghai (CN)

(73) Assignee: **Sonos, Inc.**, Santa Barbara, CA (US)

(**) Term: **15 Years**

(21) Appl. No.: **29/611,086**

(22) Filed: **Jul. 18, 2017**

Related U.S. Application Data

(63) Continuation of application No. 29/523,318, filed on Apr. 8, 2015, now Pat. No. Des. 796,447.

(51) **LOC (11) Cl.** **13-03**

(52) **U.S. Cl.**
USPC **D13/133**

(58) **Field of Classification Search**
USPC D13/123, 133, 146, 154, 184, 199
CPC H01R 13/62; H01R 13/623; H01R 13/659;
H01R 13/64; H01R 13/71
See application file for complete search history.

(56) **References Cited**

U.S. PATENT DOCUMENTS

D150,410 S	8/1948	Giammatteo
2,771,590 A	11/1956	Nauslar
3,382,355 A	5/1968	Prifogle et al.
3,495,205 A	2/1970	Ricci
D243,090 S	1/1977	Lawrence
D243,244 S	2/1977	Creamer
D253,409 S	11/1979	Voelkert
D257,035 S	9/1980	Ostrelich et al.
4,954,091 A	9/1990	Marble
D339,566 S	9/1993	Okamoto et al.

D339,567 S	9/1993	Okamoto et al.
D347,621 S	6/1994	Rinker
D353,362 S	12/1994	Dolson
5,622,509 A	4/1997	Smythe
D422,558 S	4/2000	Reiss
D434,377 S	11/2000	Bussett et al.
D484,460 S	12/2003	Cheng et al.

(Continued)

FOREIGN PATENT DOCUMENTS

EM	002150193-0001	12/2012
EM	002184184-0002	2/2013

OTHER PUBLICATIONS

“Notification of Grant of Patent Rights for a Design Patent”, issued by the State Intellectual Property Office of the P.R. China, in connection with Chinese Patent Application No. 201430416108.X, dated Apr. 20, 2015, 4 pages.

Primary Examiner — Daniel D Bui
(74) *Attorney, Agent, or Firm* — KPPB LLP

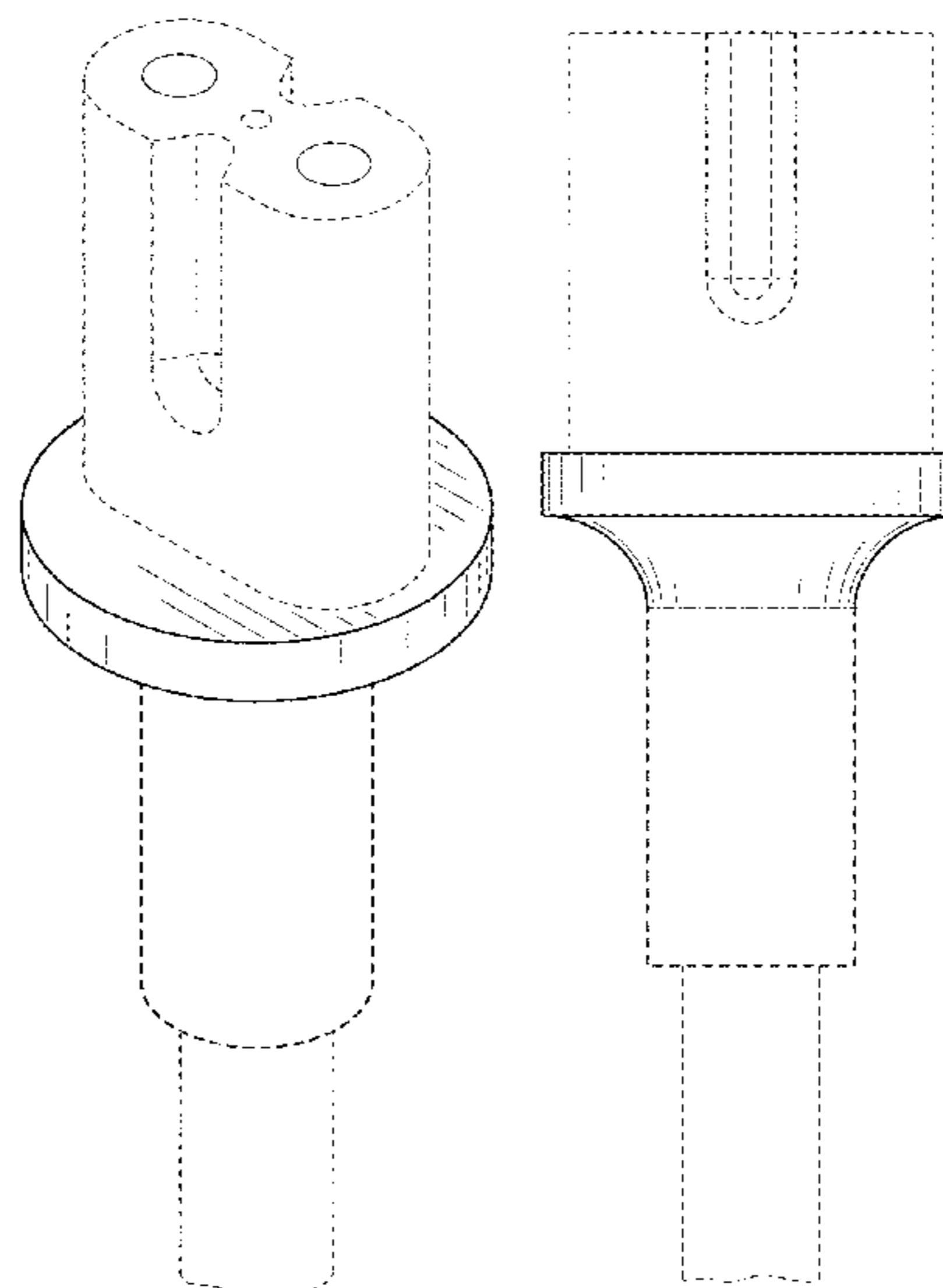
(57) **CLAIM**

The ornamental design for a “power plug,” as shown and described in FIGS. 1-7.

DESCRIPTION

FIG. 1 is a perspective view of a power plug showing our new design;
FIG. 2 is a front elevation view thereof;
FIG. 3 is a rear elevation view thereof;
FIG. 4 is a left side elevation view thereof;
FIG. 5 is a right side elevation view thereof;
FIG. 6 is a top plan view thereof; and,
FIG. 7 is a bottom plan view thereof.
In the drawing views, the even-broken line represents unclaimed portions of the power plug and forms no part of the claimed design. The dash-dot broken line represents the boundary of the claimed design.

1 Claim, 3 Drawing Sheets



(56)

References Cited

U.S. PATENT DOCUMENTS

D493,142 S	7/2004	Siu	D746,291 S	12/2015	Solomon et al.
D495,996 S	9/2004	Parel et al.	D760,167 S	6/2016	Kusano et al.
D498,462 S	11/2004	Andre	D760,720 S	7/2016	Laffon de Mazieres et al.
D509,187 S	9/2005	Levine et al.	D761,262 S	7/2016	Solomon et al.
D585,378 S	1/2009	Haber et al.	D779,492 S	2/2017	Lin
D611,409 S	3/2010	Green et al.	D784,340 S	4/2017	Laffon de Mazieres et al.
D623,594 S	9/2010	Akana et al.	D795,816 S	8/2017	He et al.
D635,919 S	4/2011	Ahola et al.	D796,447 S *	9/2017	Kusano D13/146
8,021,183 B2	9/2011	Early et al.	D800,731 S	10/2017	He
8,215,009 B2	7/2012	Early et al.	D804,291 S	12/2017	Fawcett et al.
8,517,766 B2	8/2013	Golko et al.	D810,748 S	2/2018	Zhang
D697,481 S	1/2014	Akana et al.	D810,749 S	2/2018	Zhang
8,647,156 B2	2/2014	Golko et al.	D814,471 S	4/2018	Kim et al.
8,753,132 B2	6/2014	Scritzky et al.	D823,261 S	7/2018	Uggla
D712,829 S	9/2014	Huang	D824,388 S	7/2018	Fawcett et al.
D716,225 S	10/2014	Akana et al.	D826,173 S	8/2018	Chen
D721,037 S	1/2015	Kelly	D832,263 S	10/2018	Chen
D731,970 S	6/2015	Kamath	D832,849 S	11/2018	Kim et al.
D742,315 S	11/2015	Dang	2013/0183005 A1	7/2013	Lu
			2015/0135491 A1	5/2015	Leng et al.
			2016/0294135 A1	10/2016	Susini et al.

* cited by examiner

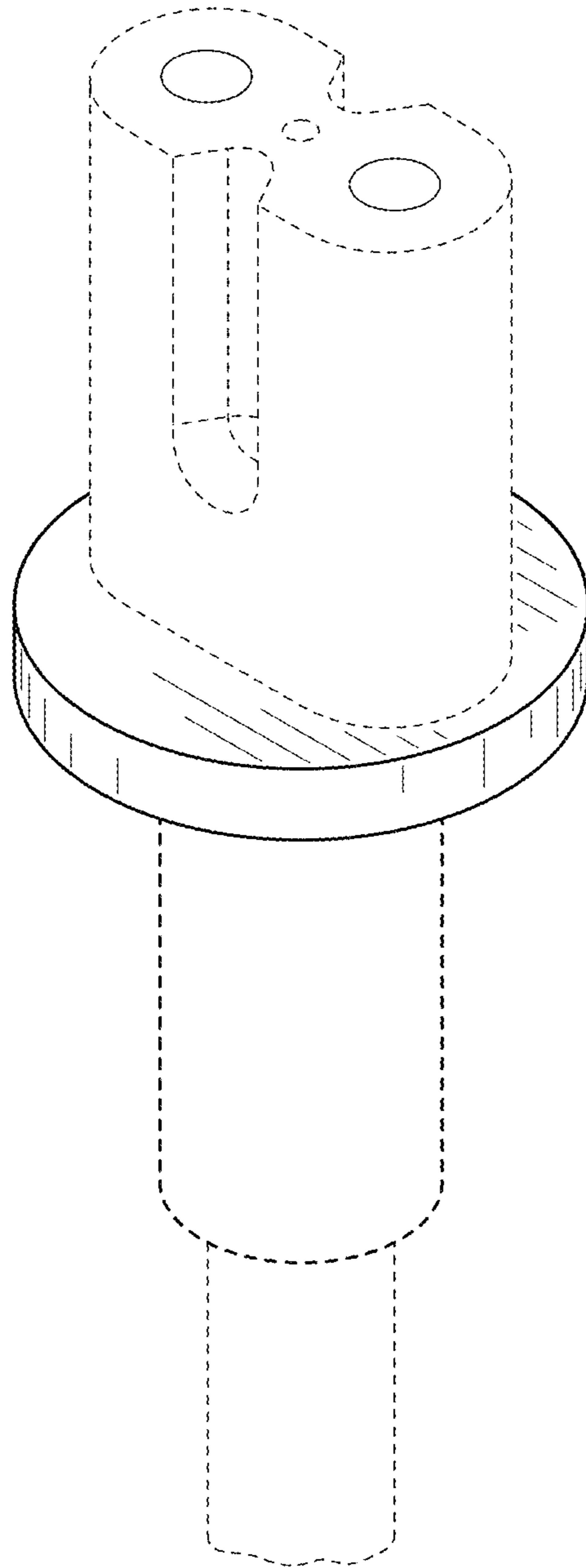


FIG. 1

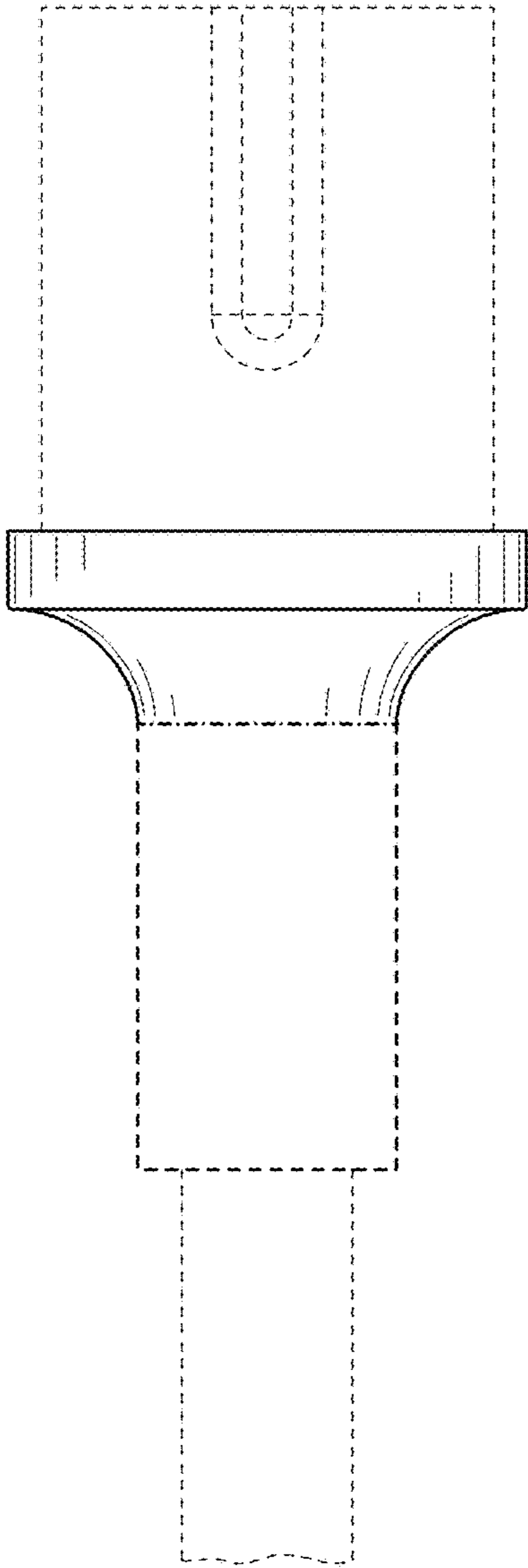


FIG. 2

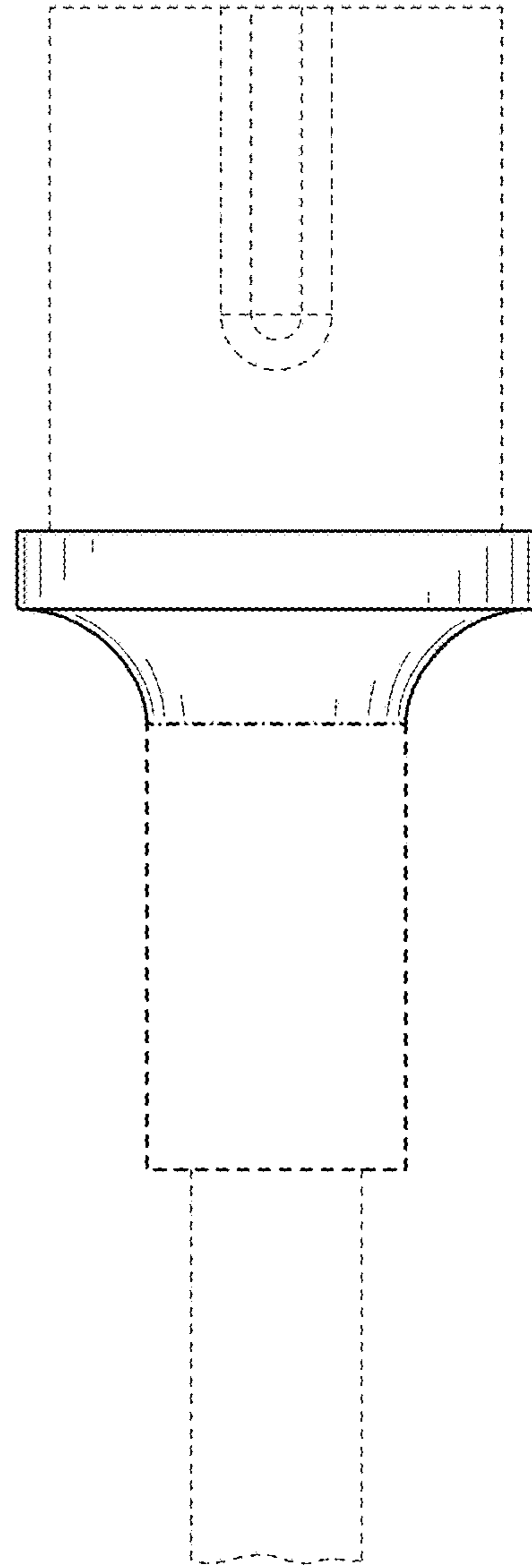


FIG. 3

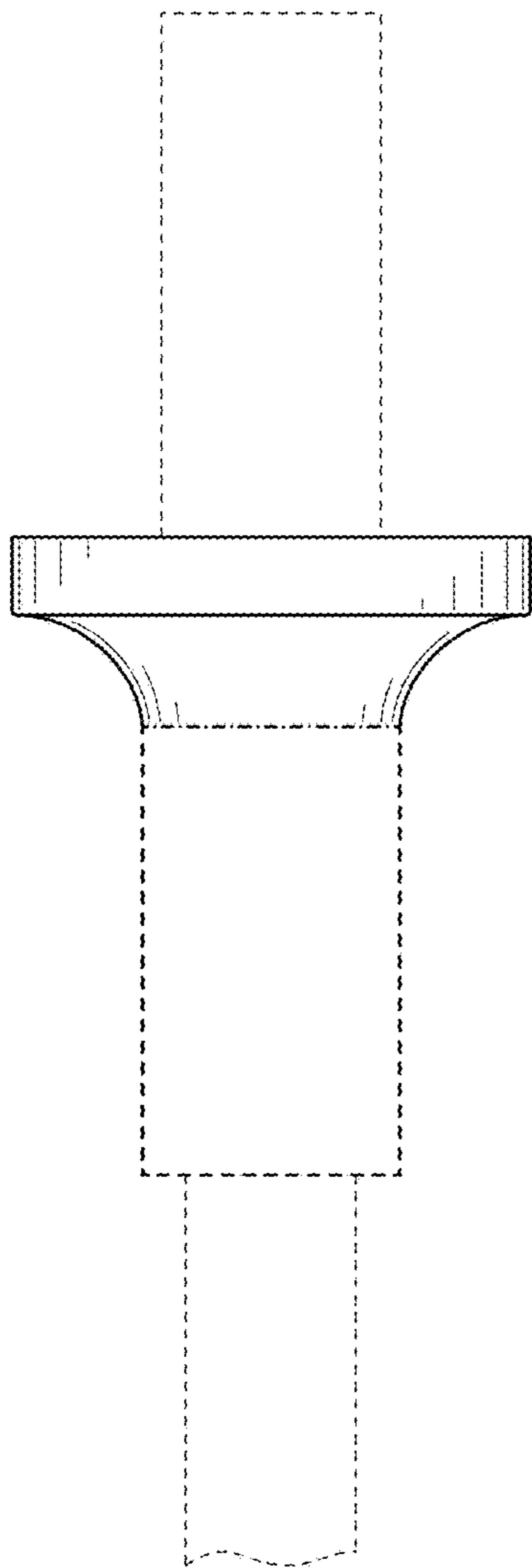


FIG. 4

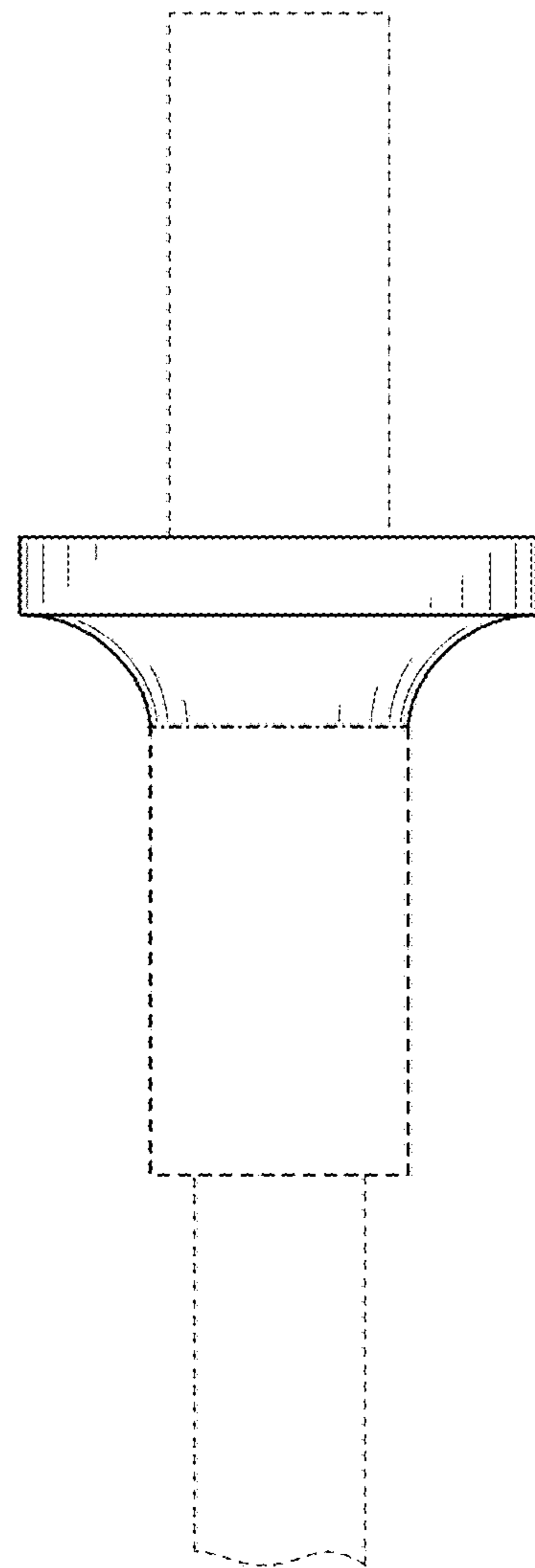


FIG. 5

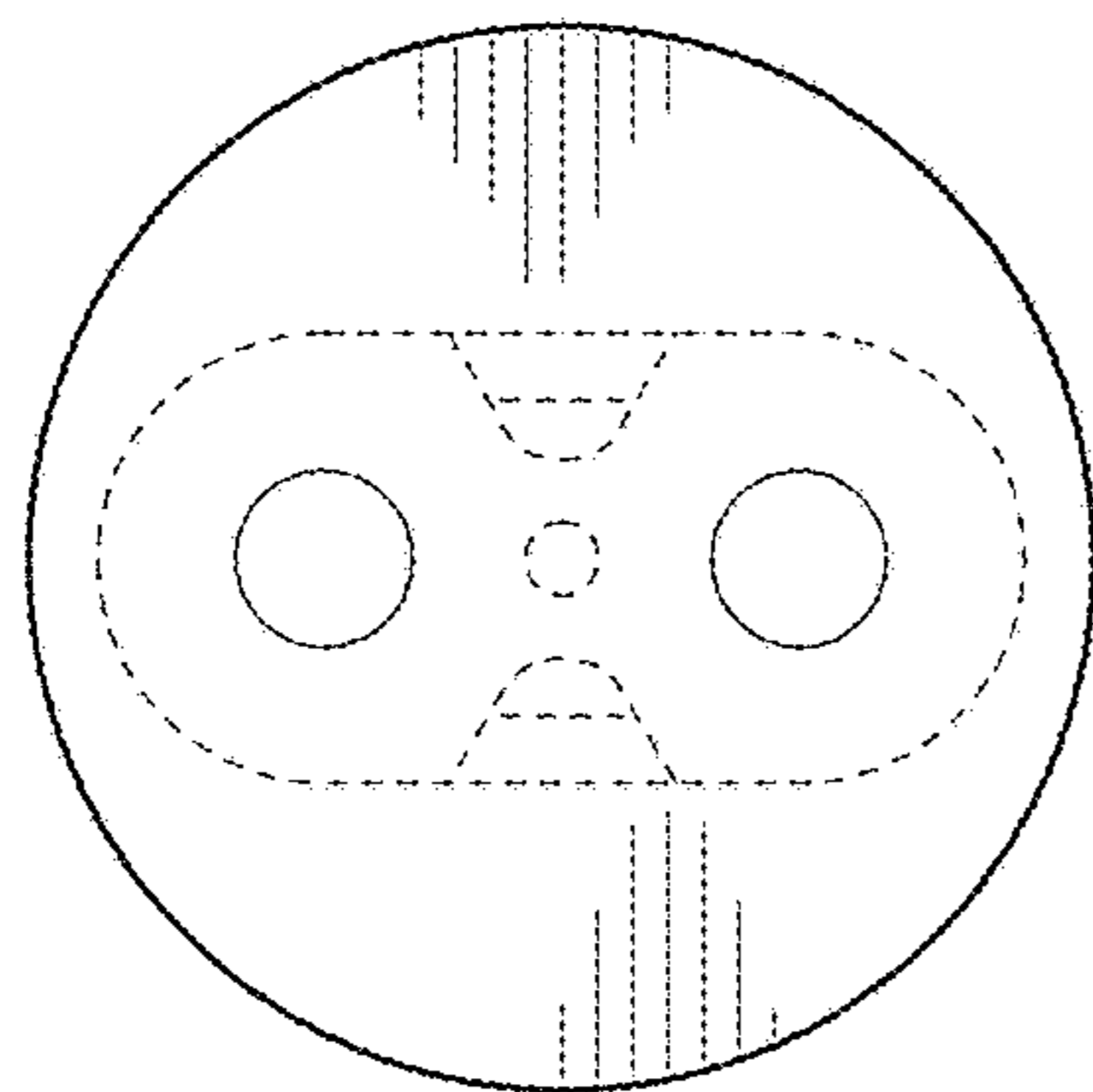


FIG. 6

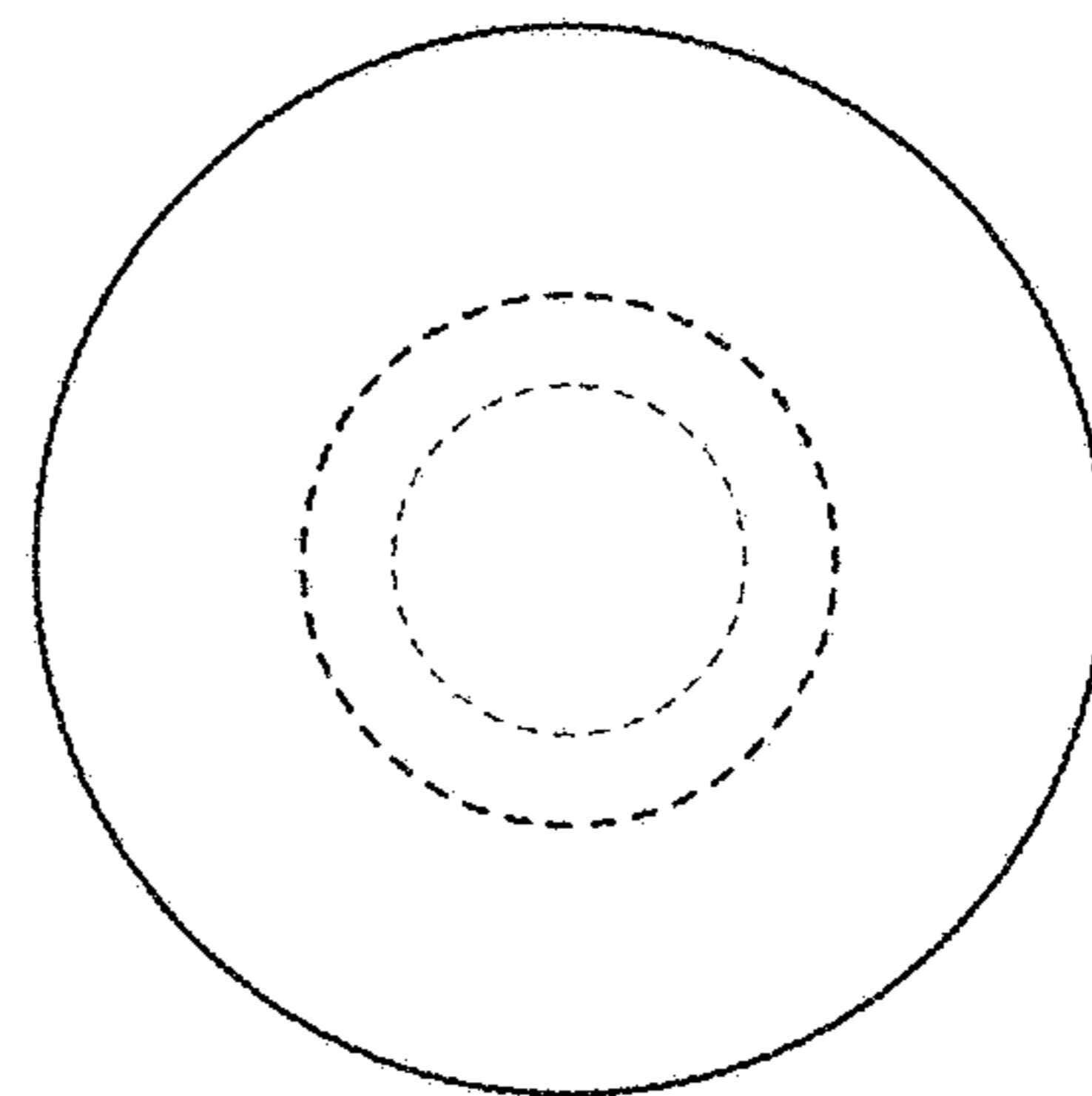


FIG. 7