



US00D843941S

(12) **United States Design Patent**
Iwasawa

(10) **Patent No.:** **US D843,941 S**
(45) **Date of Patent:** **** Mar. 26, 2019**

(54) **TERMINAL FITTING FOR ELECTRIC CONNECTOR**

(71) Applicant: **Yazaki Corporation**, Tokyo (JP)

(72) Inventor: **Hidehiko Iwasawa**, Shizuoka (JP)

(73) Assignee: **YAZAKI CORPORATION**,
Minato-ku, Tokyo (JP)

(**) Term: **15 Years**

(21) Appl. No.: **29/607,230**

(22) Filed: **Jun. 12, 2017**

(30) **Foreign Application Priority Data**

Dec. 16, 2016 (JP) 2016-026984

(51) **LOC (11) Cl.** **13-03**

(52) **U.S. Cl.**
USPC **D13/133**

(58) **Field of Classification Search**
USPC D8/350-353; D13/120, 146, 133, 147
CPC . H01R 4/10; H01R 4/18; H01R 13/58; H01R
43/20; H01R 43/048; H01R 4/183; H01R
4/185; H01R 4/70
See application file for complete search history.

(56) **References Cited**

U.S. PATENT DOCUMENTS

D251,491 S *	4/1979	Snyder, Jr.	D13/146
4,990,103 A *	2/1991	Sazaki	H01R 13/506
			439/445
5,266,056 A *	11/1993	Baderschneider ...	H01R 13/432
			439/745
D424,020 S *	5/2000	Fischer	439/349
D490,059 S *	5/2004	Conway	D13/146
D534,497 S *	1/2007	Mazzullo	D13/133
7,993,170 B2 *	8/2011	Nakata	H01R 4/185
			439/587
D680,075 S *	4/2013	Yang	D13/133

9,136,628 B2 *	9/2015	Aizawa	H01R 4/185
9,601,840 B2 *	3/2017	Tonoike	H01R 4/187
9,711,872 B2 *	7/2017	Sato	H01R 4/185
9,711,873 B1 *	7/2017	Tanaka	H01R 4/188
9,847,596 B2 *	12/2017	Sato	H01R 13/5216
9,899,749 B2 *	2/2018	Kondou	H01R 4/188
9,954,289 B2 *	4/2018	Miyakawa	H01R 4/70
9,954,300 B2 *	4/2018	Nagasaka	H01R 13/428
9,954,308 B2 *	4/2018	Sato	H01R 13/5845
D817,882 S *	5/2018	Chen	D13/133
9,966,672 B2 *	5/2018	Aoki	H01R 4/185

(Continued)

OTHER PUBLICATIONS

Communication from the Chinese Patent Office dated Sep. 12, 2017 in corresponding Chinese Patent Application No. 201730237344.9.

Primary Examiner — Jennifer Rivard

Assistant Examiner — Alison M Ofstun

(74) *Attorney, Agent, or Firm* — Sughrue Mion, PLLC

(57) **CLAIM**

The ornamental design for a terminal fitting for electric connector, as shown and described.

DESCRIPTION

FIG. 1 is a front, top and left side perspective view of a terminal fitting for electric connector showing my new design;

FIG. 2 is a rear, bottom and right side perspective view thereof;

FIG. 3 is a front elevational view thereof;

FIG. 4 is a rear elevational view thereof;

FIG. 5 is a right side elevational view thereof;

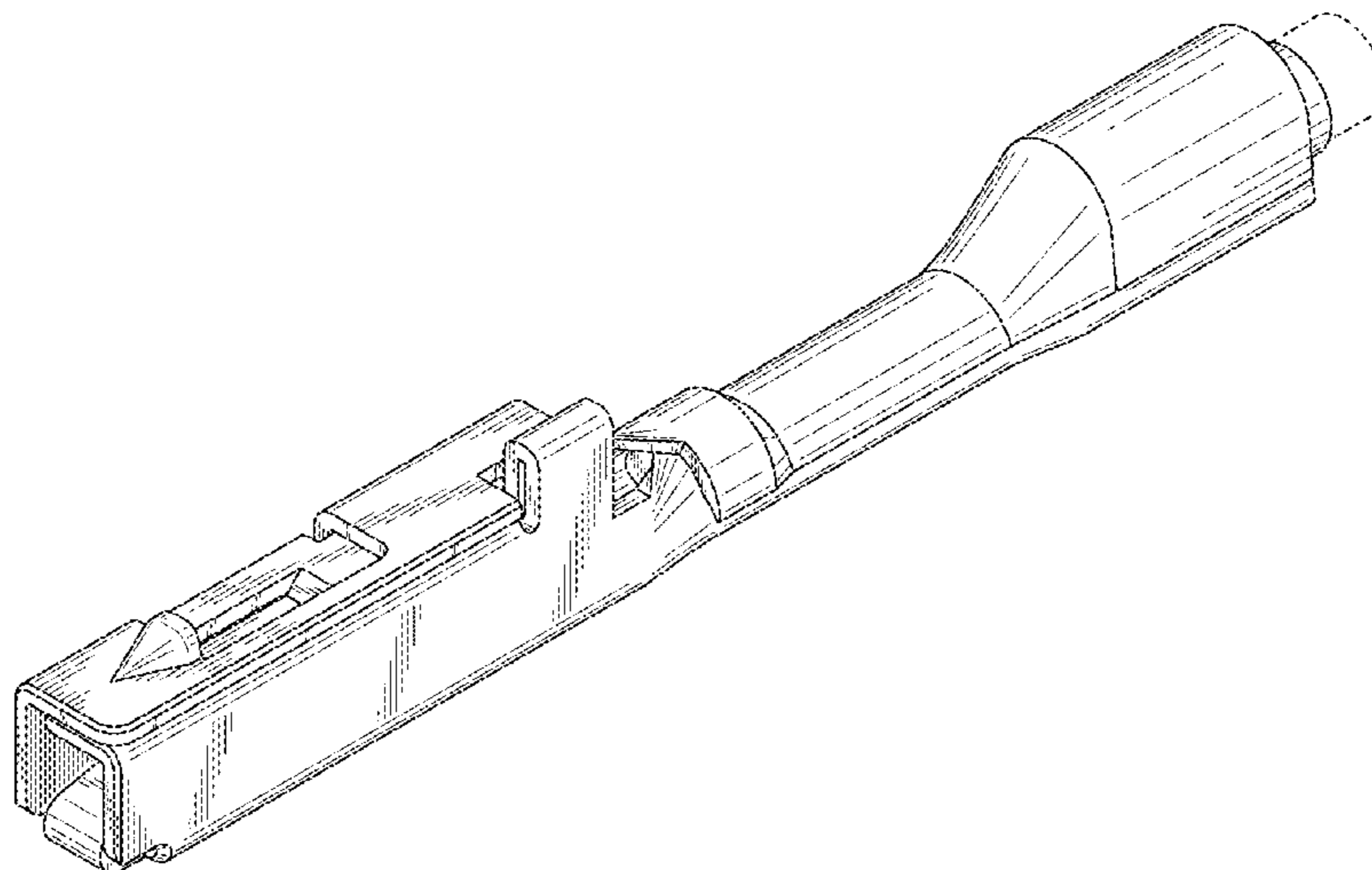
FIG. 6 is a left side elevational view thereof;

FIG. 7 is a top plan view thereof; and,

FIG. 8 is a bottom plan view thereof.

The broken lines depict portions of the terminal fitting for electric connector in which the design is embodied that form no part of the claimed design.

1 Claim, 7 Drawing Sheets



(56)

References Cited

U.S. PATENT DOCUMENTS

9,979,099	B2 *	5/2018	Tonoike	H01R 4/183
2018/0076532	A1 *	3/2018	Iwasawa	H01R 4/185
2018/0109010	A1 *	4/2018	Takahashi	H01R 4/183

* cited by examiner

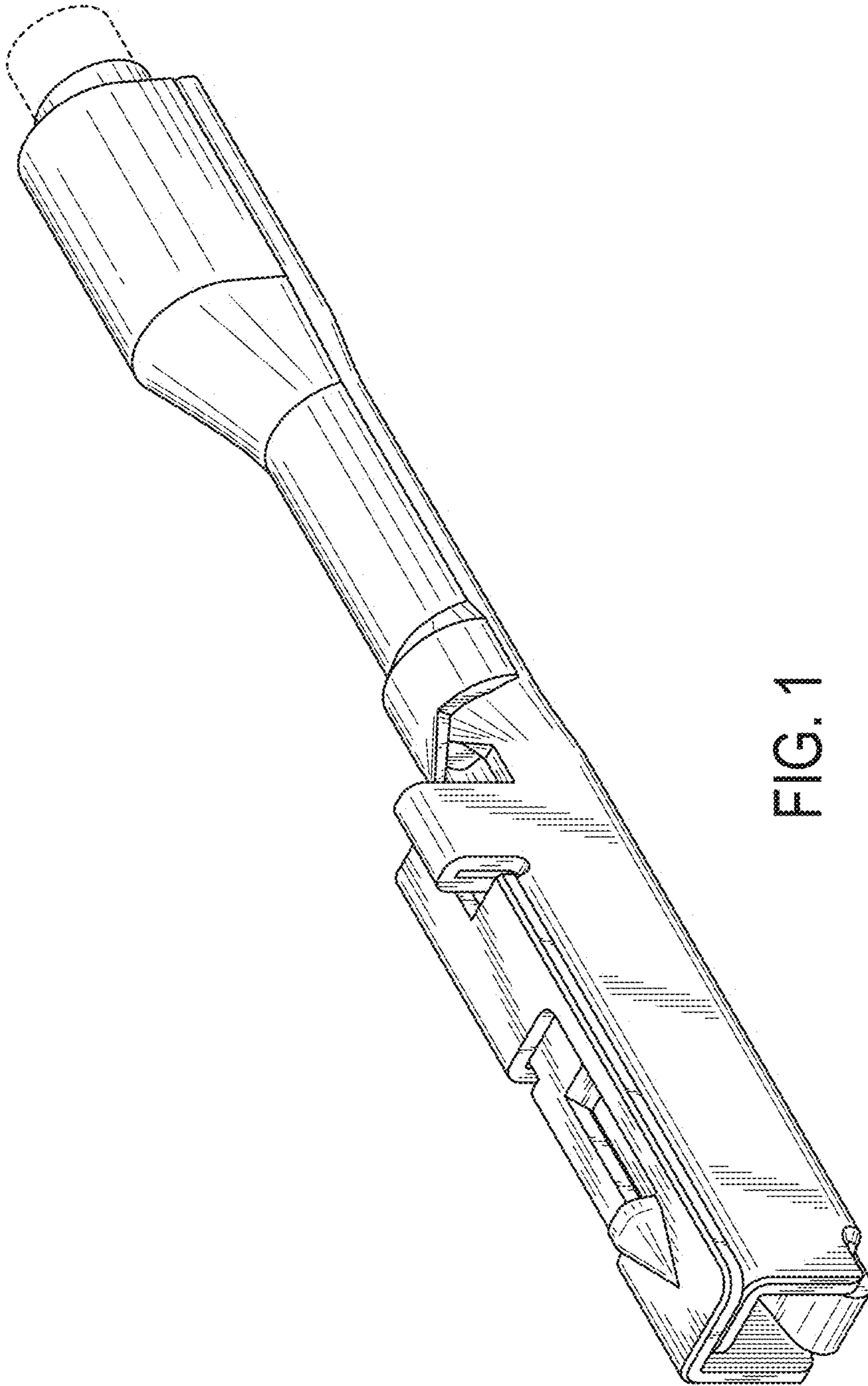


FIG. 1

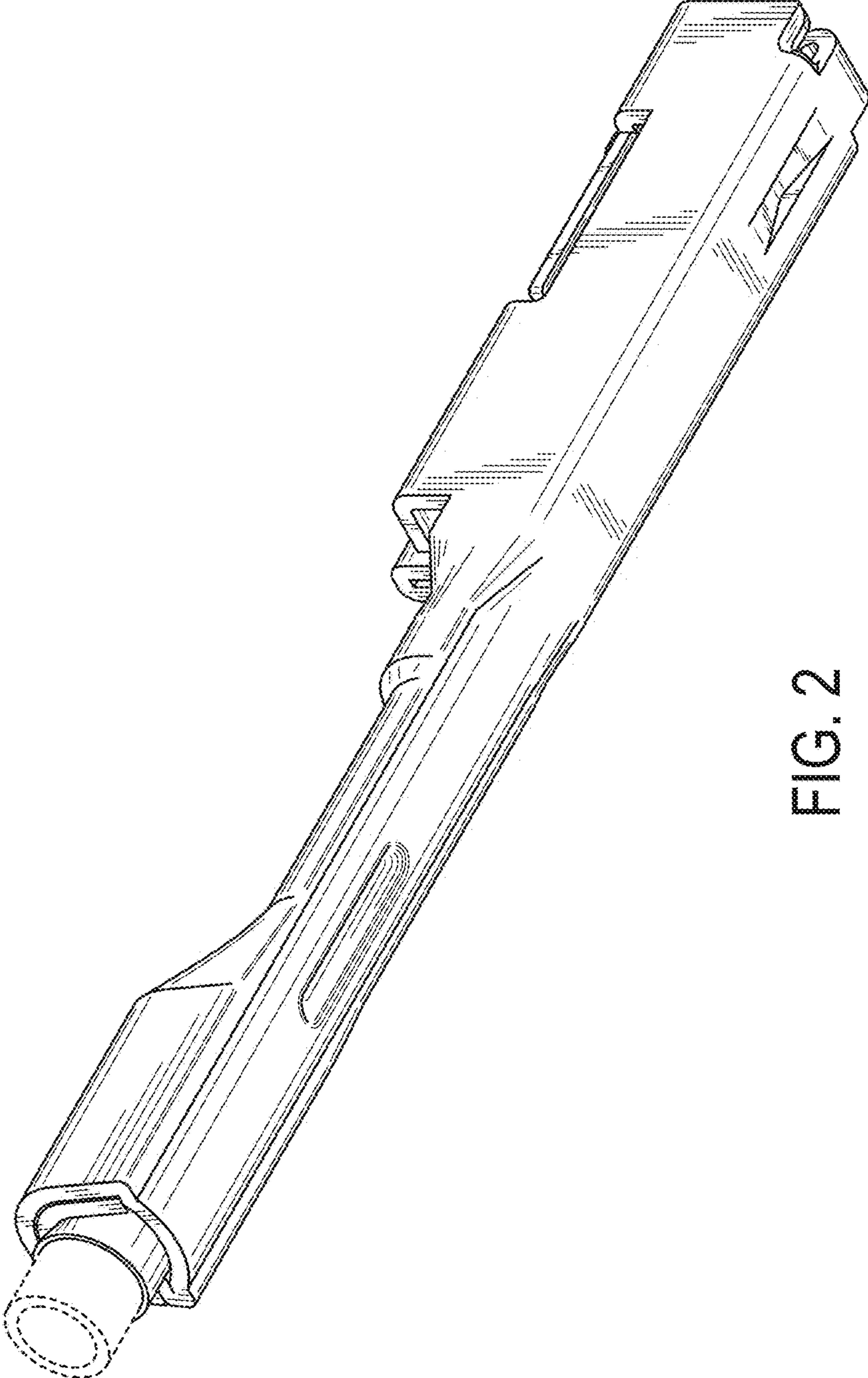


FIG. 2

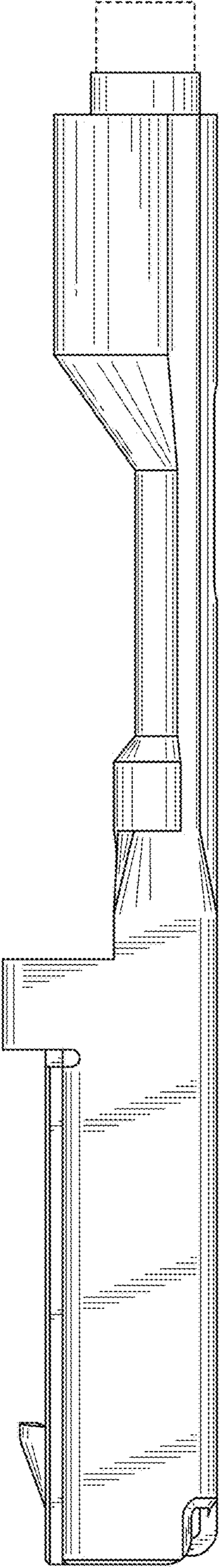


FIG. 3

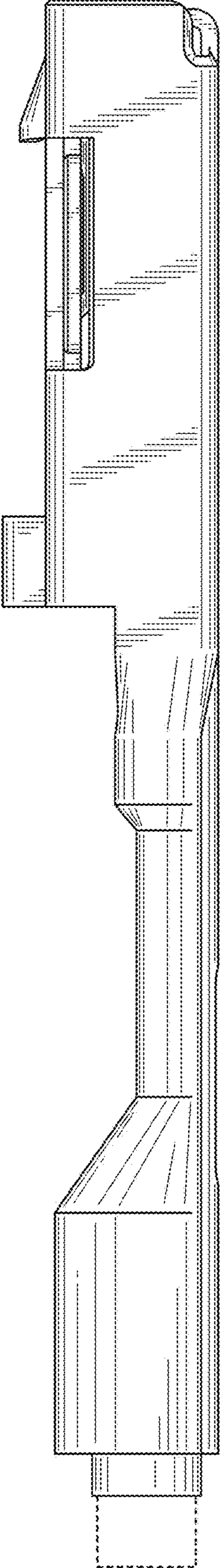


FIG. 4

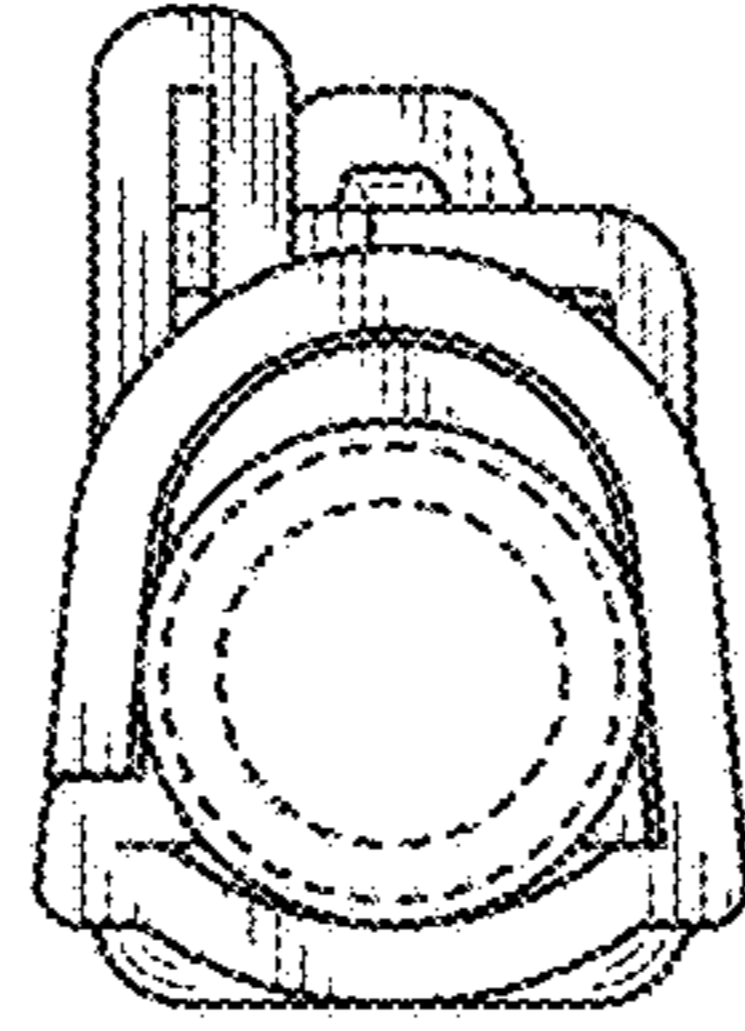


FIG. 5

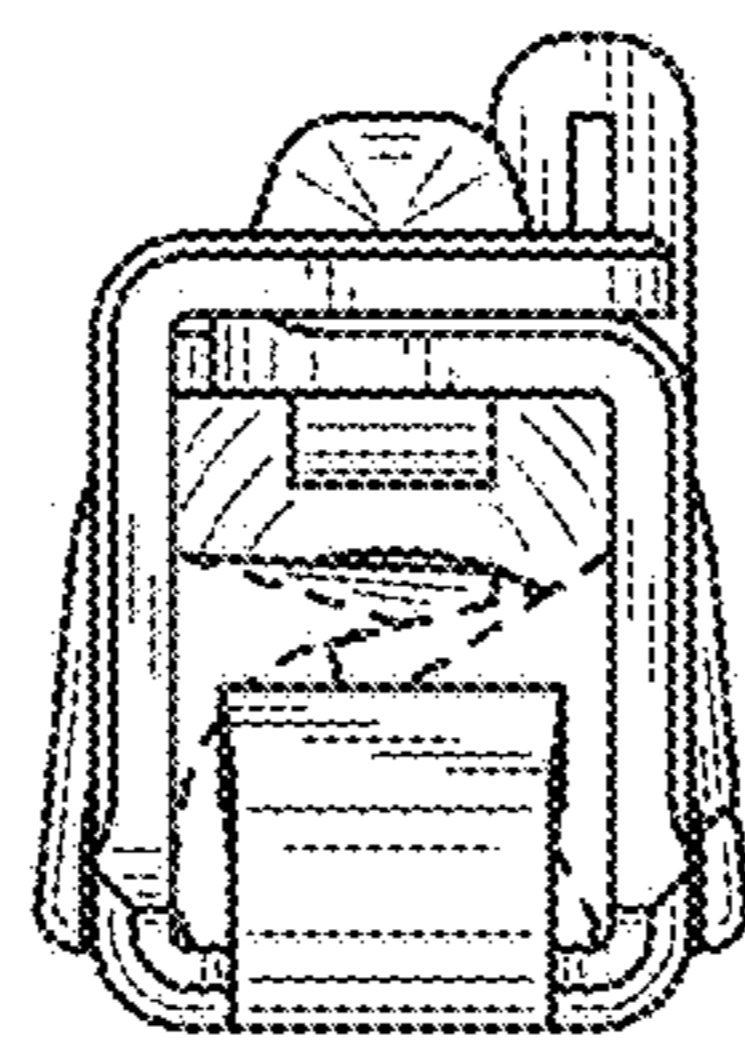


FIG. 6

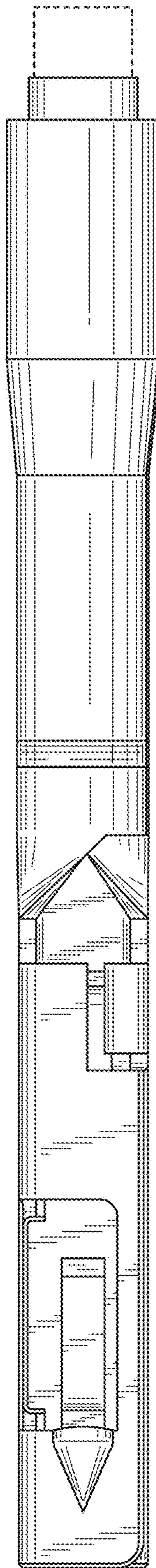


FIG. 7

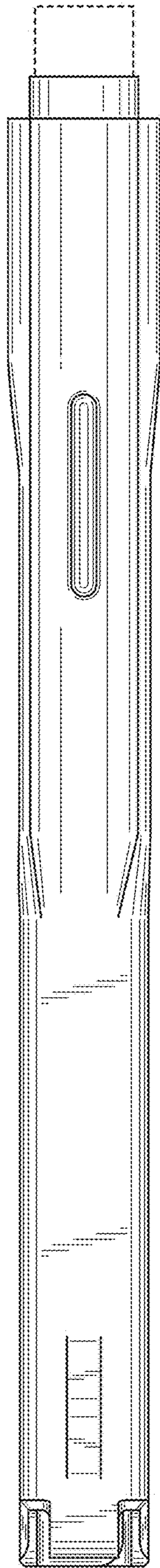


FIG. 8

UNITED STATES PATENT AND TRADEMARK OFFICE
CERTIFICATE OF CORRECTION

PATENT NO. : D843,941 S
APPLICATION NO. : 29/607230
DATED : March 26, 2019
INVENTOR(S) : Hidehiko Iwasawa

Page 1 of 1

It is certified that error appears in the above-identified patent and that said Letters Patent is hereby corrected as shown below:

On the Title Page

Delete “(30) **Foreign Application Priority Data**
Dec. 16, 2016 (JP)2016-026984”

Insert --(30) **Foreign Application Priority Data**
Dec. 13, 2016 (JP)2016-026984--

Signed and Sealed this
Twenty-eighth Day of May, 2019



Andrei Iancu
Director of the United States Patent and Trademark Office