



US00D843940S

(12) **United States Design Patent**
Sasaki

(10) **Patent No.:** **US D843,940 S**
(45) **Date of Patent:** **** Mar. 26, 2019**

(54) **ELECTRICAL CONNECTOR**

DESCRIPTION

- (71) Applicant: **Hosiden Corporation**, Yao-shi, Osaka (JP)
- (72) Inventor: **Daisuke Sasaki**, Yao (JP)
- (73) Assignee: **HOSIDEN CORPORATION**, Yao-Shi (JP)
- (**) Term: **15 Years**
- (21) Appl. No.: **29/559,766**
- (22) Filed: **Mar. 31, 2016**

(30) **Foreign Application Priority Data**

Oct. 26, 2015 (JP) 2015-023660
 Oct. 26, 2015 (JP) 2015-023662
 (Continued)

(51) **LOC (11) Cl.** **13-03**
 (52) **U.S. Cl.**
 USPC **D13/133**

(58) **Field of Classification Search**
 USPC D13/101, 103, 110, 112, 117, 118, 120,
 D13/123, 129–133, 145–147, 149, 151,
 D13/153–155, 173, 183, 199
 (Continued)

(56) **References Cited**

U.S. PATENT DOCUMENTS

D244,944 S * 7/1977 Hooper, Jr. D13/154
 D330,365 S * 10/1992 Endo D13/133
 (Continued)

Primary Examiner — Angela J Lee

Assistant Examiner — Shawn T Gingrich

(74) *Attorney, Agent, or Firm* — Rankin, Hill & Clark LLP

(57) **CLAIM**

The ornamental design for an electrical connector, as shown and described.

FIG. 1 is a front, left side and top perspective view of an electrical connector in accordance with a first embodiment of my new design;
 FIG. 2 is a front, left side and bottom perspective view thereof;
 FIG. 3 is a front elevation view thereof;
 FIG. 4 is a rear elevation view thereof;
 FIG. 5 is a left side view thereof;
 FIG. 6 is a right side view thereof;
 FIG. 7 is a top plan view thereof;
 FIG. 8 is a bottom plan view thereof;
 FIG. 9 is a front, left side and top perspective view of an electrical connector in accordance with a second embodiment of my new design;
 FIG. 10 is a front, left side and bottom perspective view thereof;
 FIG. 11 is a front elevation view thereof;
 FIG. 12 is a rear elevation view thereof;
 FIG. 13 is a left side view thereof;
 FIG. 14 is a right side view thereof;
 FIG. 15 is a top plan view thereof;
 FIG. 16 is a bottom plan view thereof;
 FIG. 17 is a front, left side and top perspective view of an electrical connector in accordance with a third embodiment of my new design;
 FIG. 18 is a front, left side and bottom perspective view thereof;
 FIG. 19 is a front elevation view thereof;
 FIG. 20 is a rear elevation view thereof;
 FIG. 21 is a left side view thereof;
 FIG. 22 is a right side view thereof;
 FIG. 23 is a top plan view thereof;
 FIG. 24 is a bottom plan view thereof;
 FIG. 25 is a front, left side and top perspective view of an electrical connector in accordance with a fourth embodiment of my new design;
 FIG. 26 is a front, left side and bottom perspective view thereof;
 FIG. 27 is a front elevation view thereof;
 FIG. 28 is a rear elevation view thereof;
 FIG. 29 is a left side view thereof;
 FIG. 30 is a right side view thereof;

(Continued)

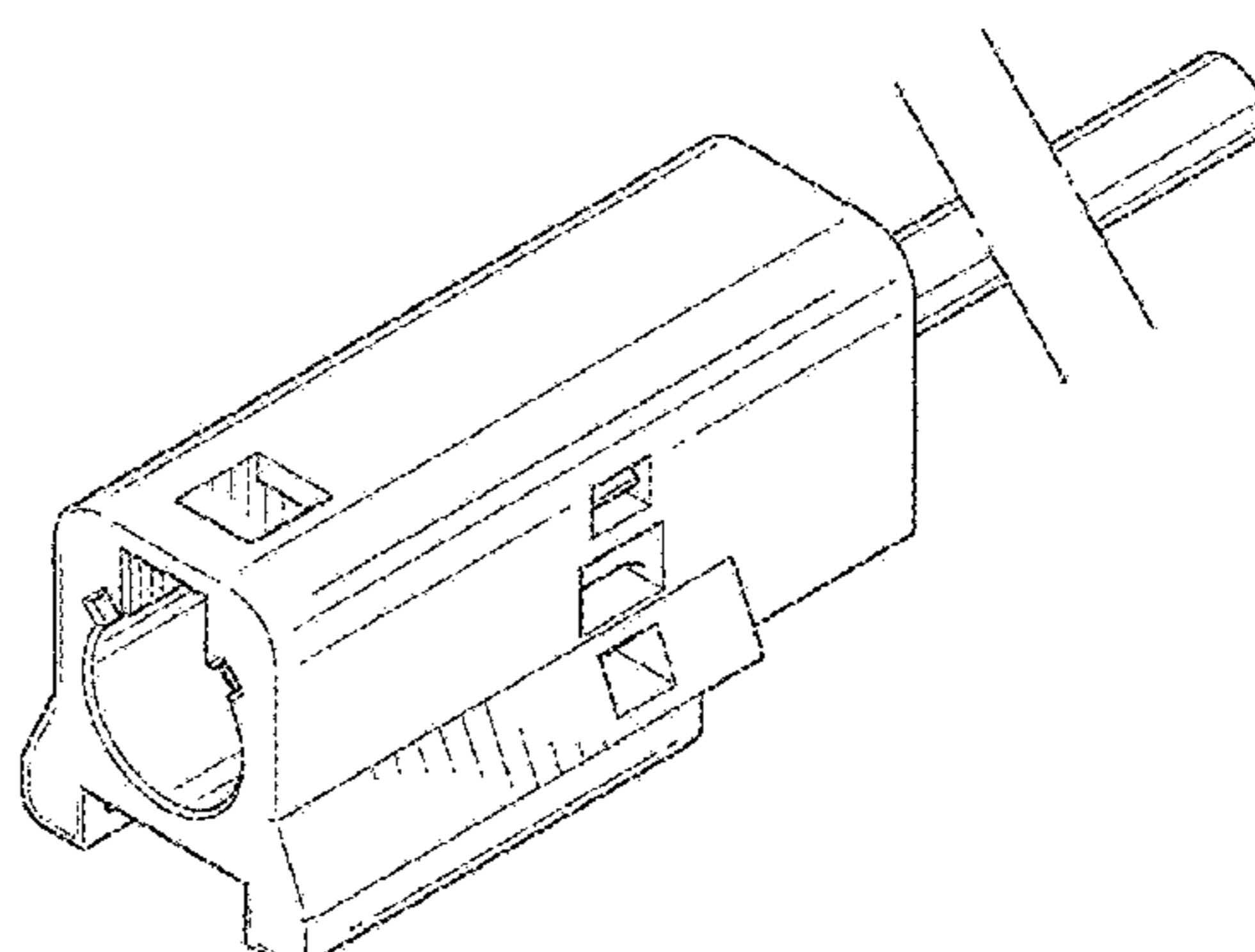
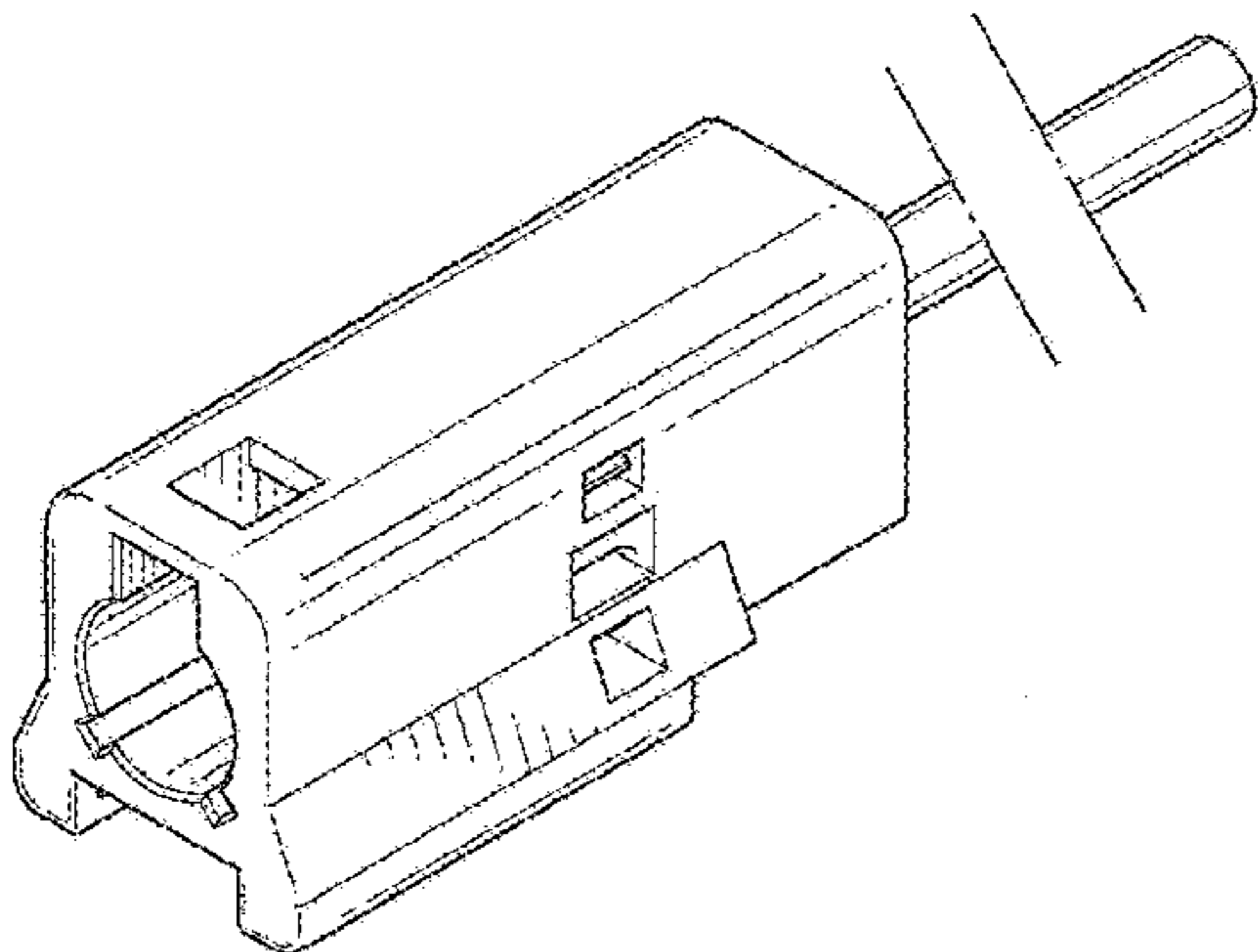


FIG. 31 is a top plan view thereof; and, FIG. 32 is a bottom plan view thereof.

The dash-dash broken lines in the drawings illustrate portions of the electrical connector that form no part of the claimed design. The dash-dot-dash lines in the drawing represent a symbolic break in a length of a cable. The appearance of any portion of the article between the break lines forms no part of the claimed design.

1 Claim, 12 Drawing Sheets

(30) **Foreign Application Priority Data**

Oct. 26, 2015 (JP) 2015-023663
 Oct. 26, 2015 (JP) 2015-023664
 Oct. 26, 2015 (JP) 2015-023665

(58) **Field of Classification Search**

CPC H01R 12/00; H01R 12/70; H01R 12/707;
 H01R 12/72; H01R 13/62; H01R 13/66;
 H01R 13/627; H01R 13/639; H01R
 13/648; H01R 13/658; H01R 24/00;
 H01R 24/06; H01R 25/00

See application file for complete search history.

(56)

References Cited

U.S. PATENT DOCUMENTS

D412,314	S	*	7/1999	Lee	D13/156
D464,318	S	*	10/2002	Togashi	D13/133
D573,949	S	*	7/2008	Taira	D13/133
D651,172	S	*	12/2011	Yamauchi	D13/133
D783,618	S	*	4/2017	Wu	D13/133
D800,065	S	*	10/2017	Sasaki	D13/133
D800,066	S	*	10/2017	Sasaki	D13/133
D800,067	S	*	10/2017	Sasaki	D13/133
D800,661	S	*	10/2017	Sasaki	D13/133
D801,931	S	*	11/2017	Sasaki	D13/133
D801,932	S	*	11/2017	Sasaki	D13/133
D801,933	S	*	11/2017	Sasaki	D13/133
D801,934	S	*	11/2017	Sasaki	D13/133
2006/0160427	A1	*	7/2006	Yin	H01R 24/50 439/668
2007/0093120	A1	*	4/2007	Hardy	H01R 13/506 439/468
2014/0057464	A1	*	2/2014	Tarulli	H01R 24/50 439/63
2015/0295361	A1	*	10/2015	Miyoshi	H01R 13/502 439/607.58
2018/0102604	A1	*	4/2018	Keith	H01R 13/5816

* cited by examiner

Fig. 1

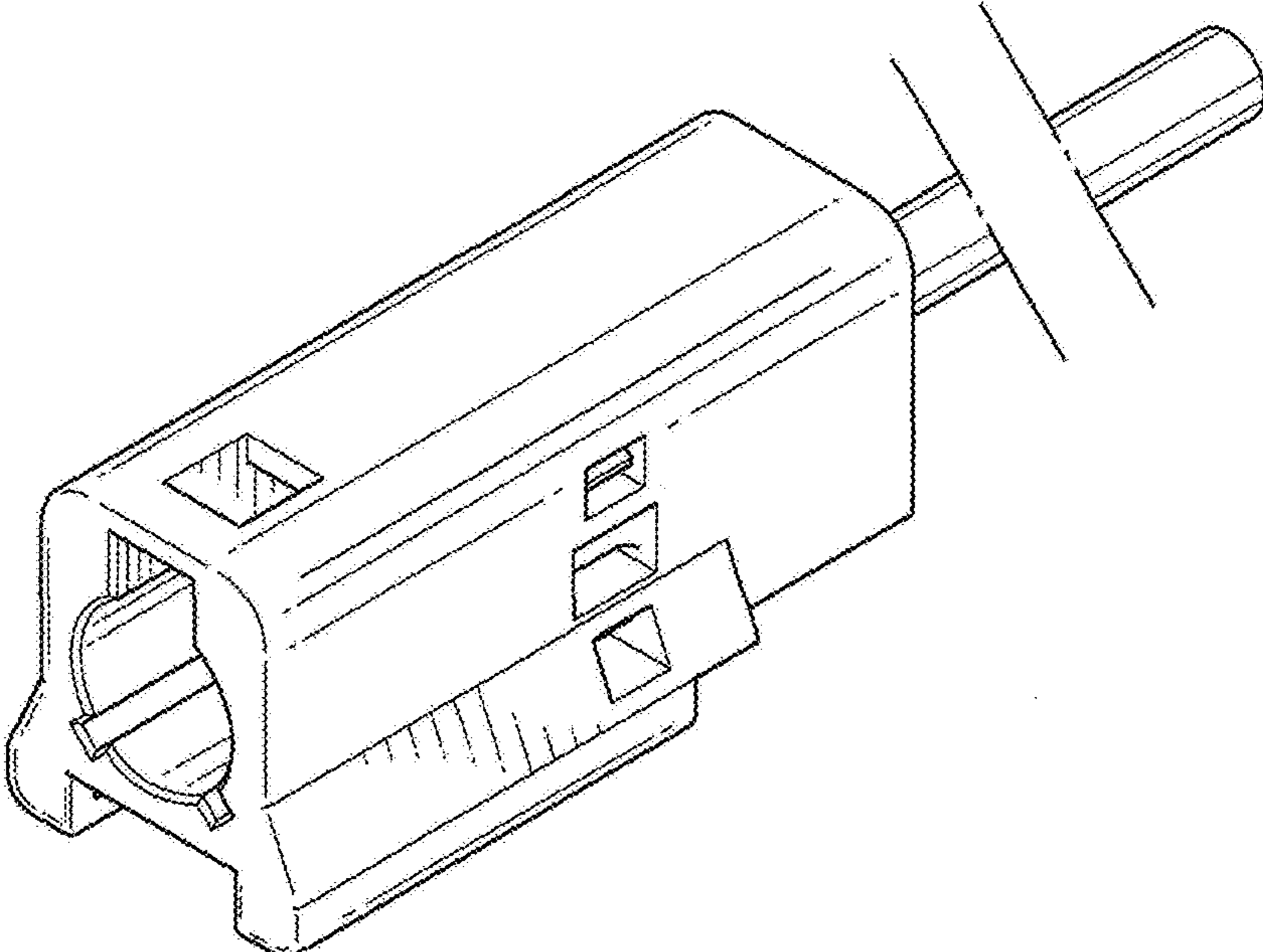


Fig. 2

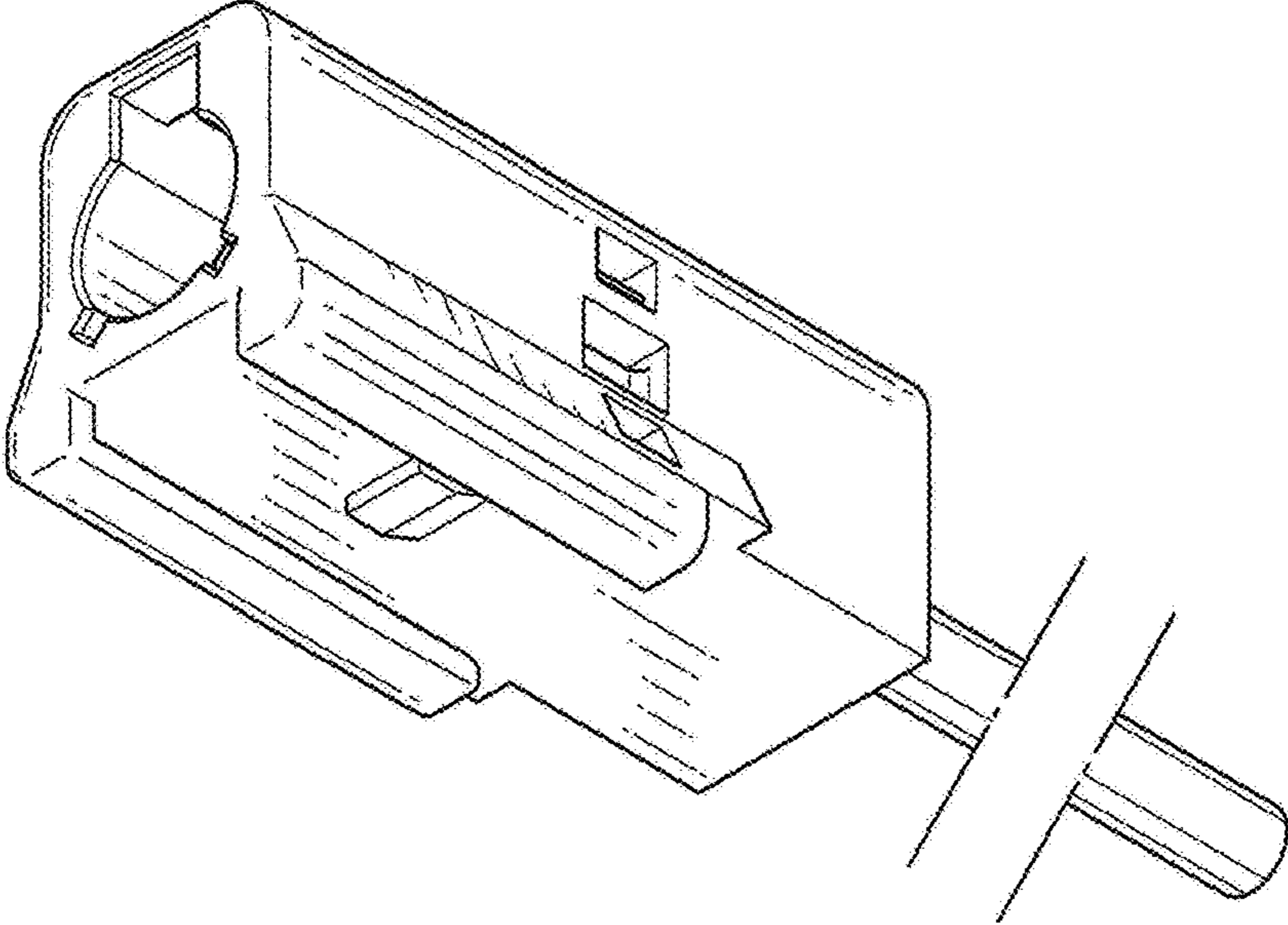


Fig.3

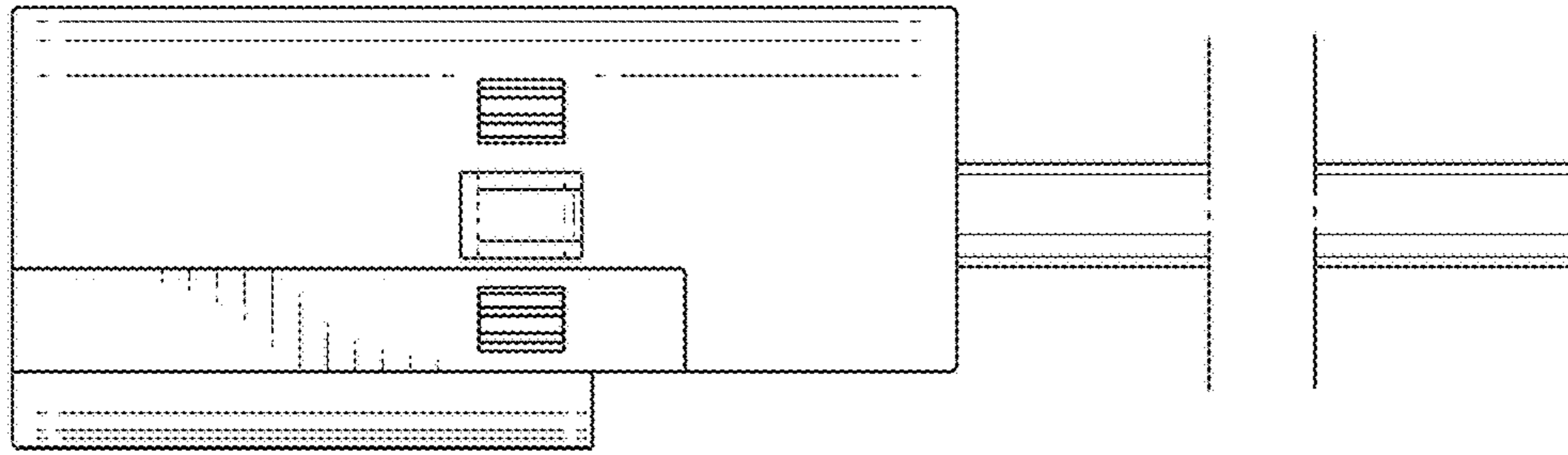


Fig.4

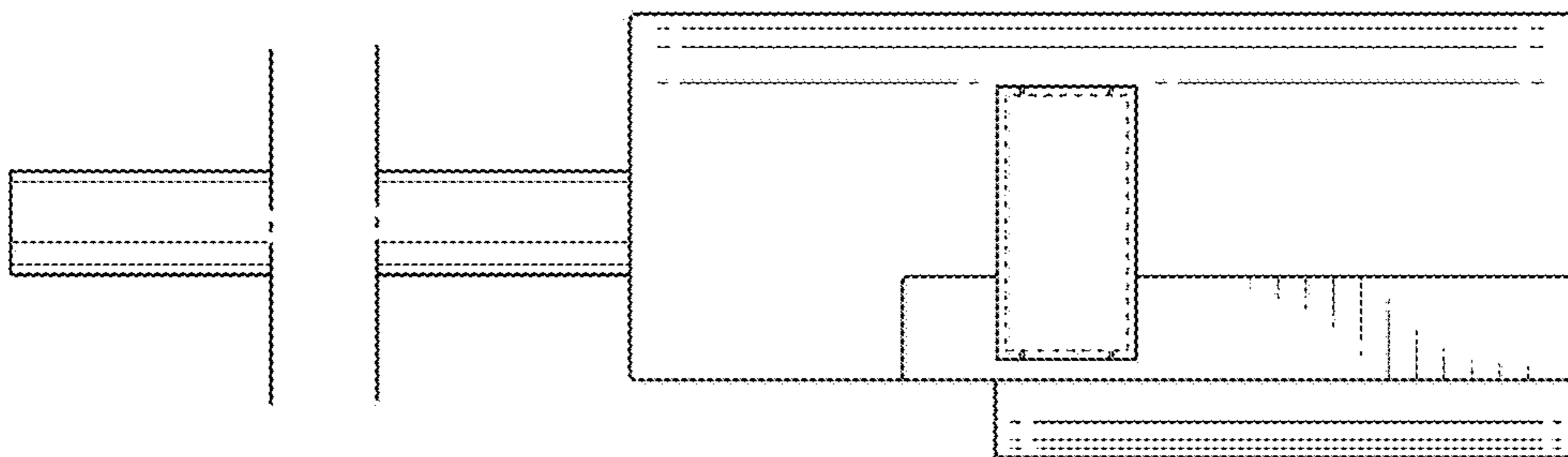


Fig.5

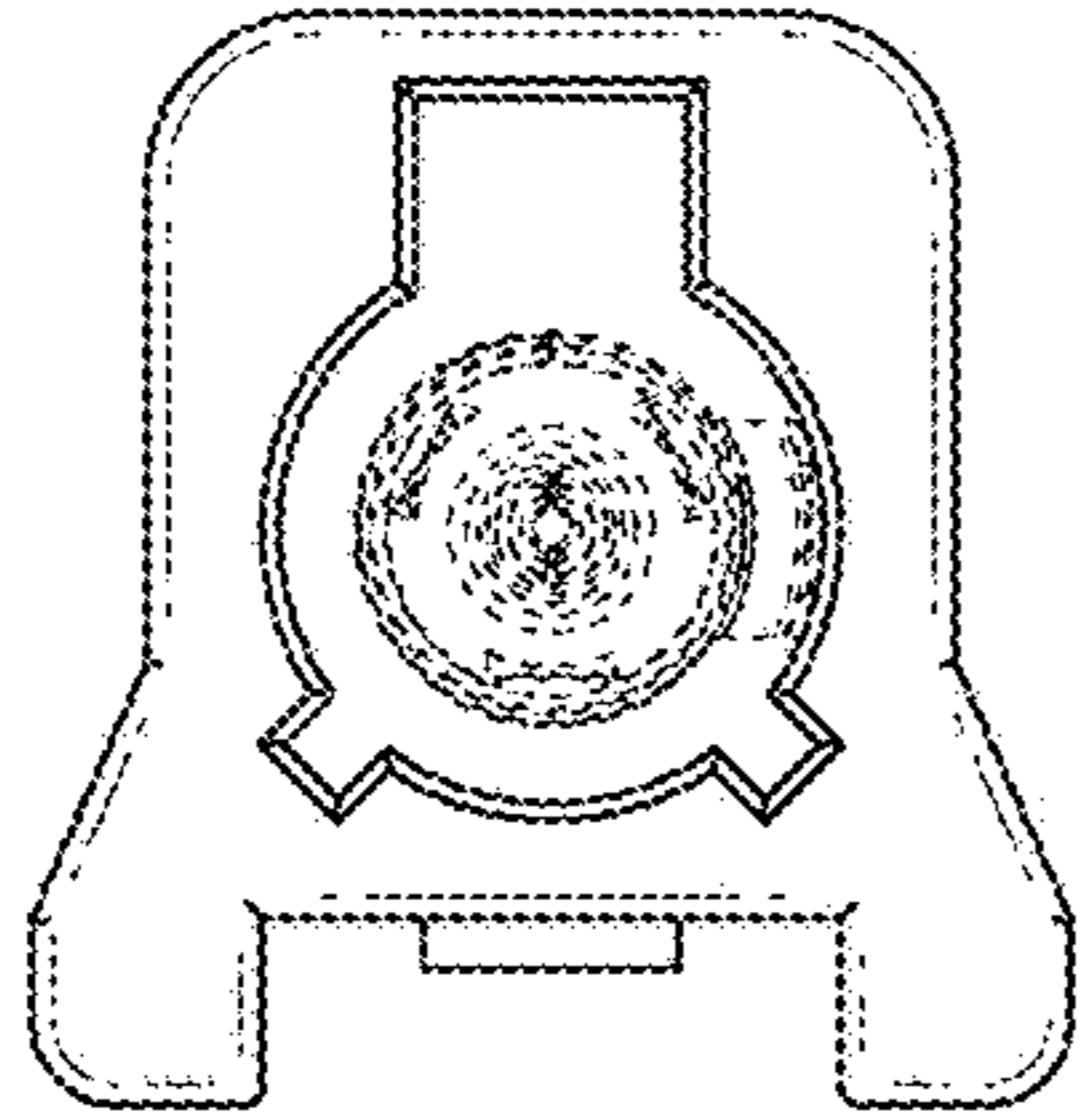


Fig.6

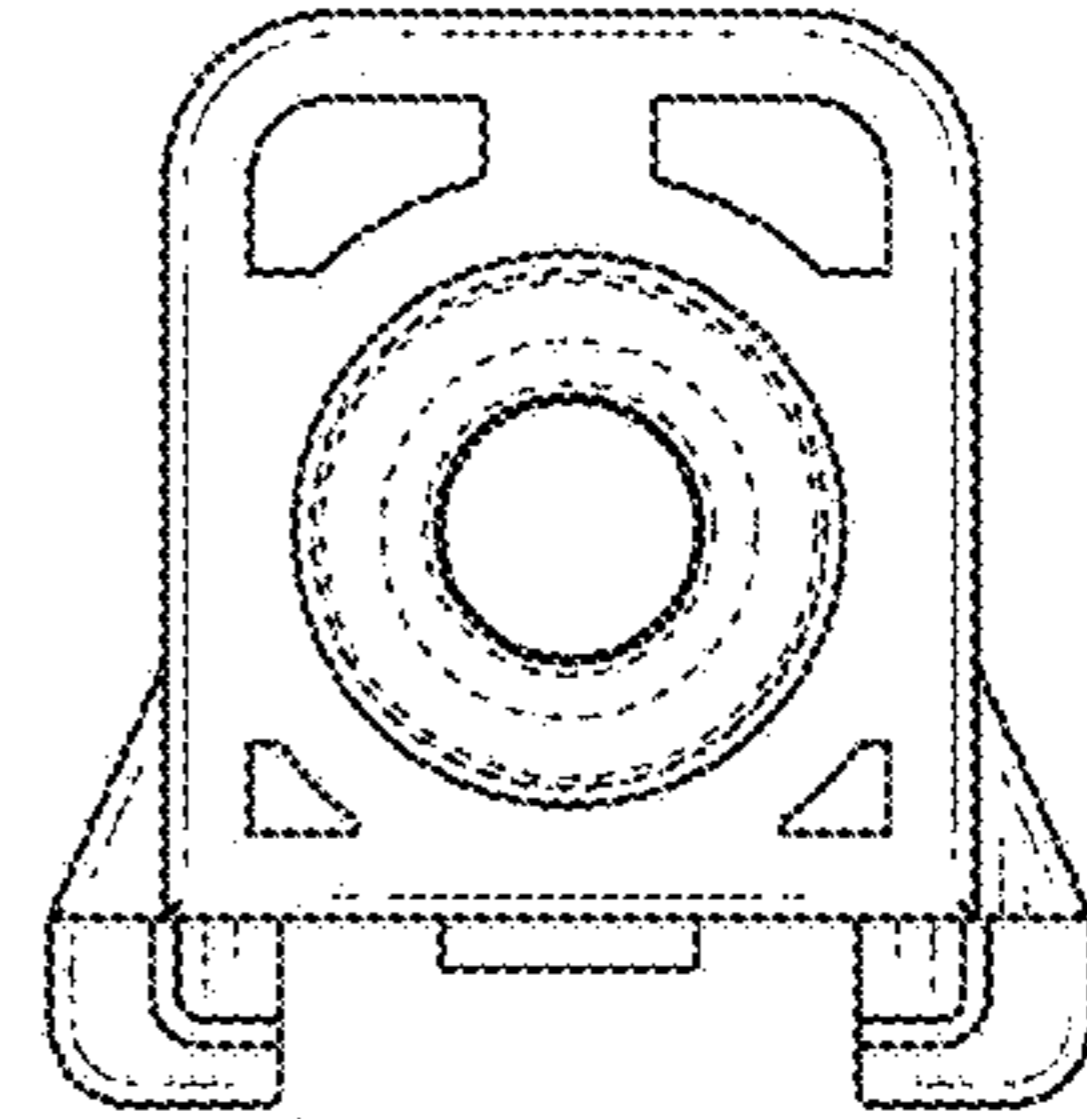


Fig.7

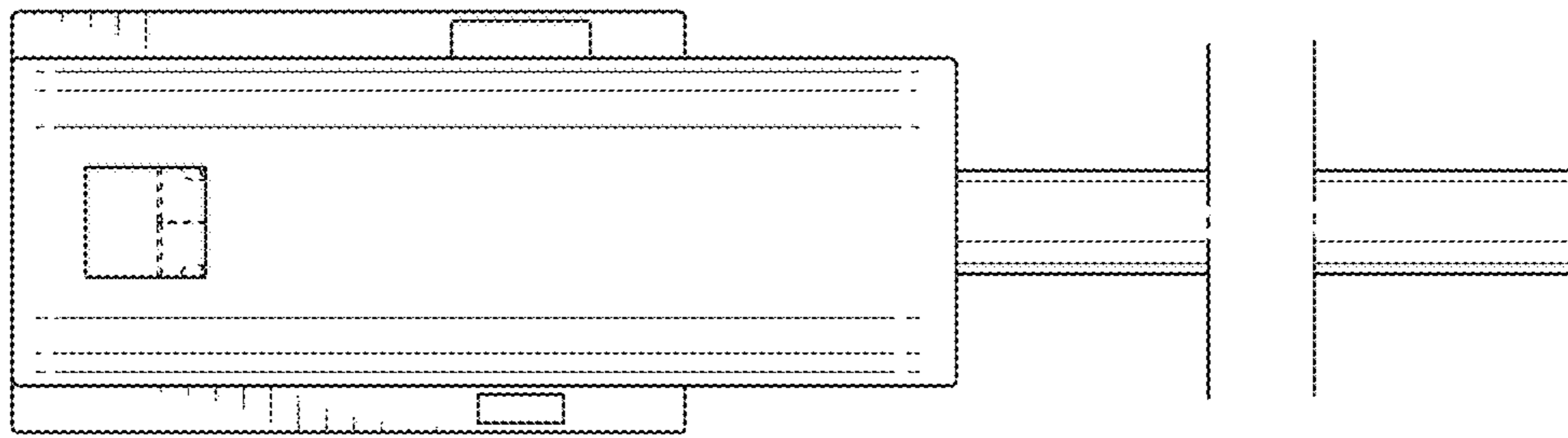


Fig.8

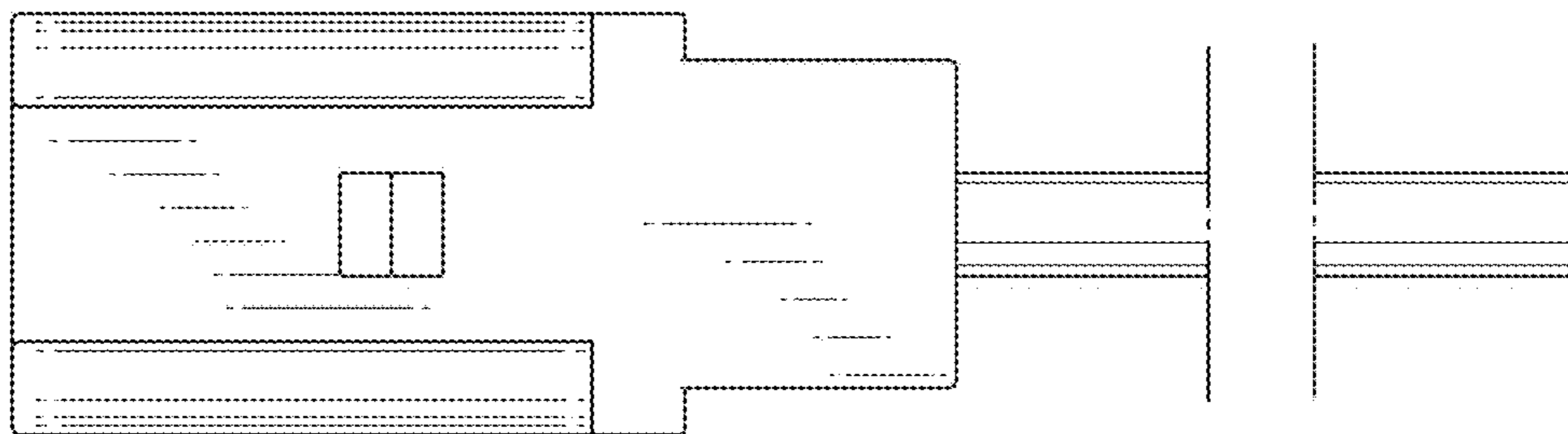


Fig. 9

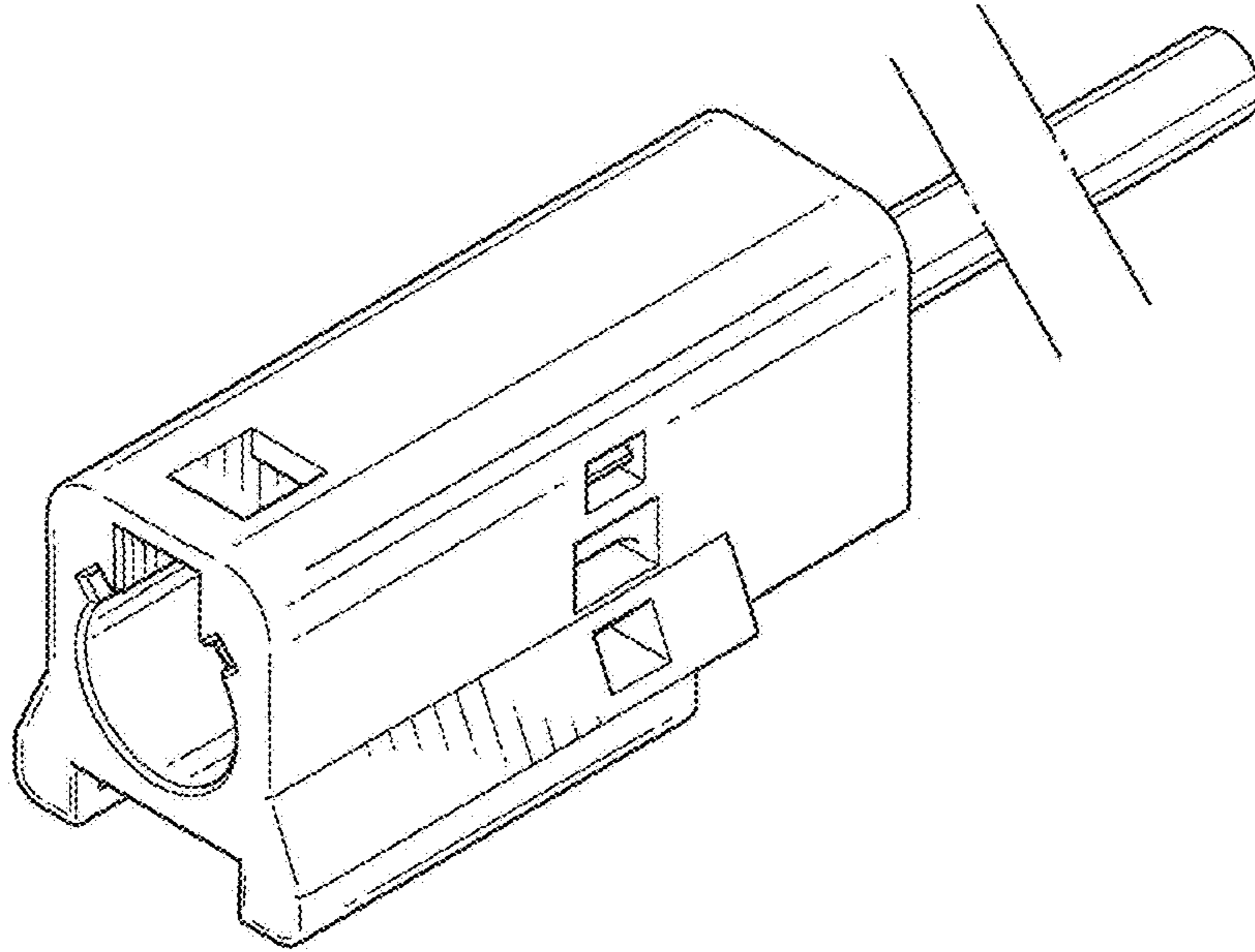


Fig. 10

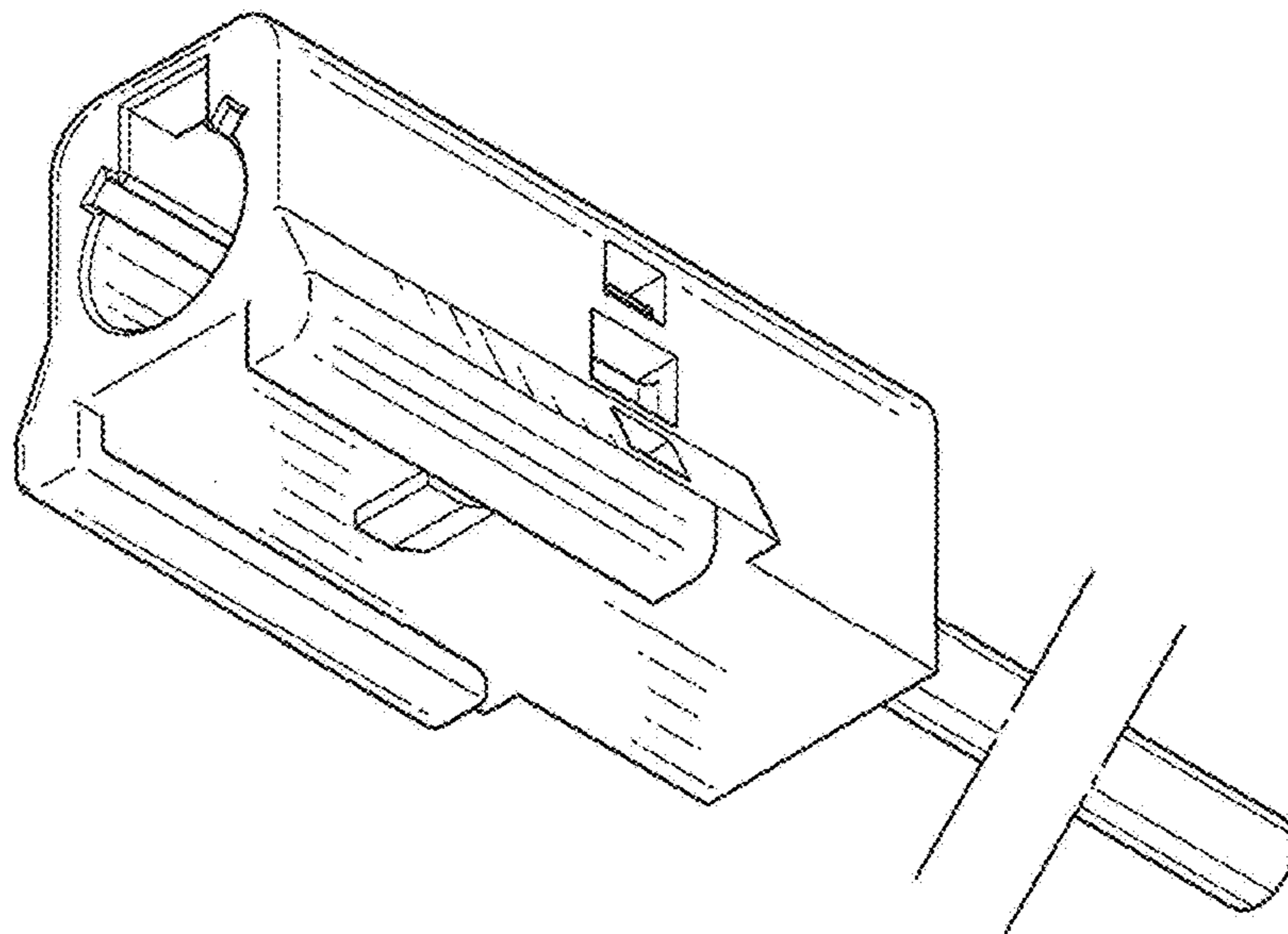


Fig.11

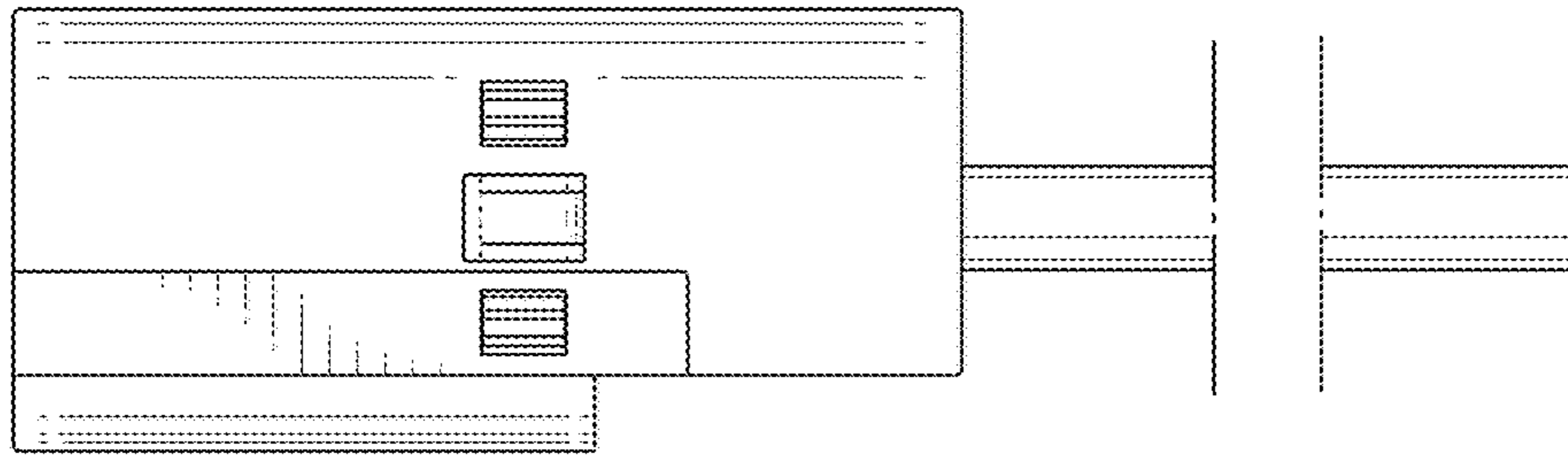


Fig.12

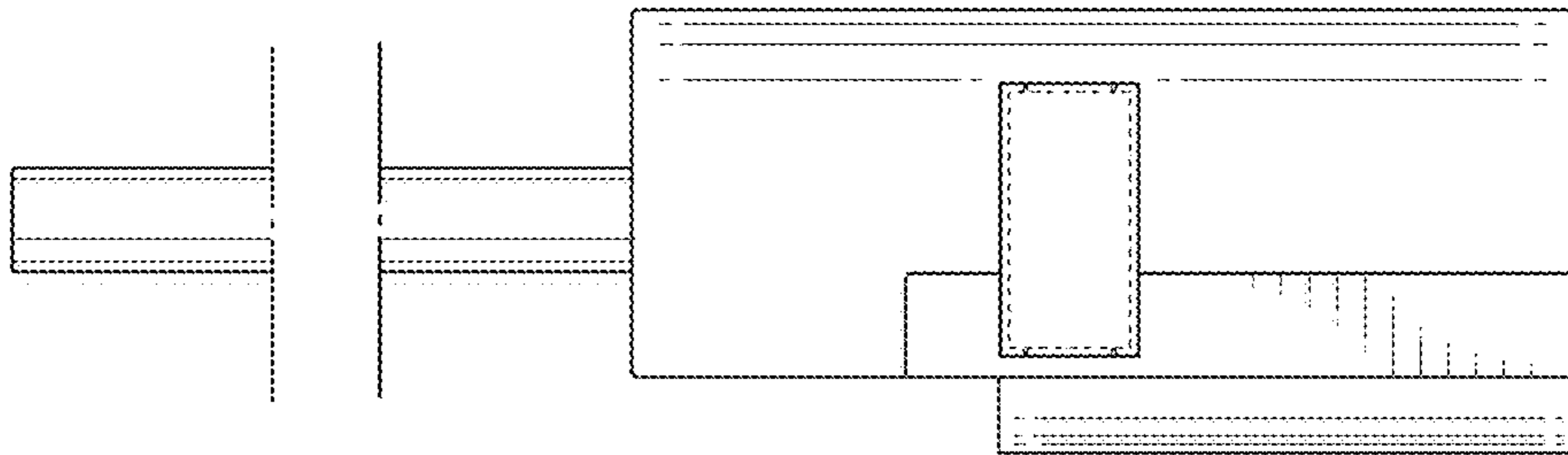


Fig.13

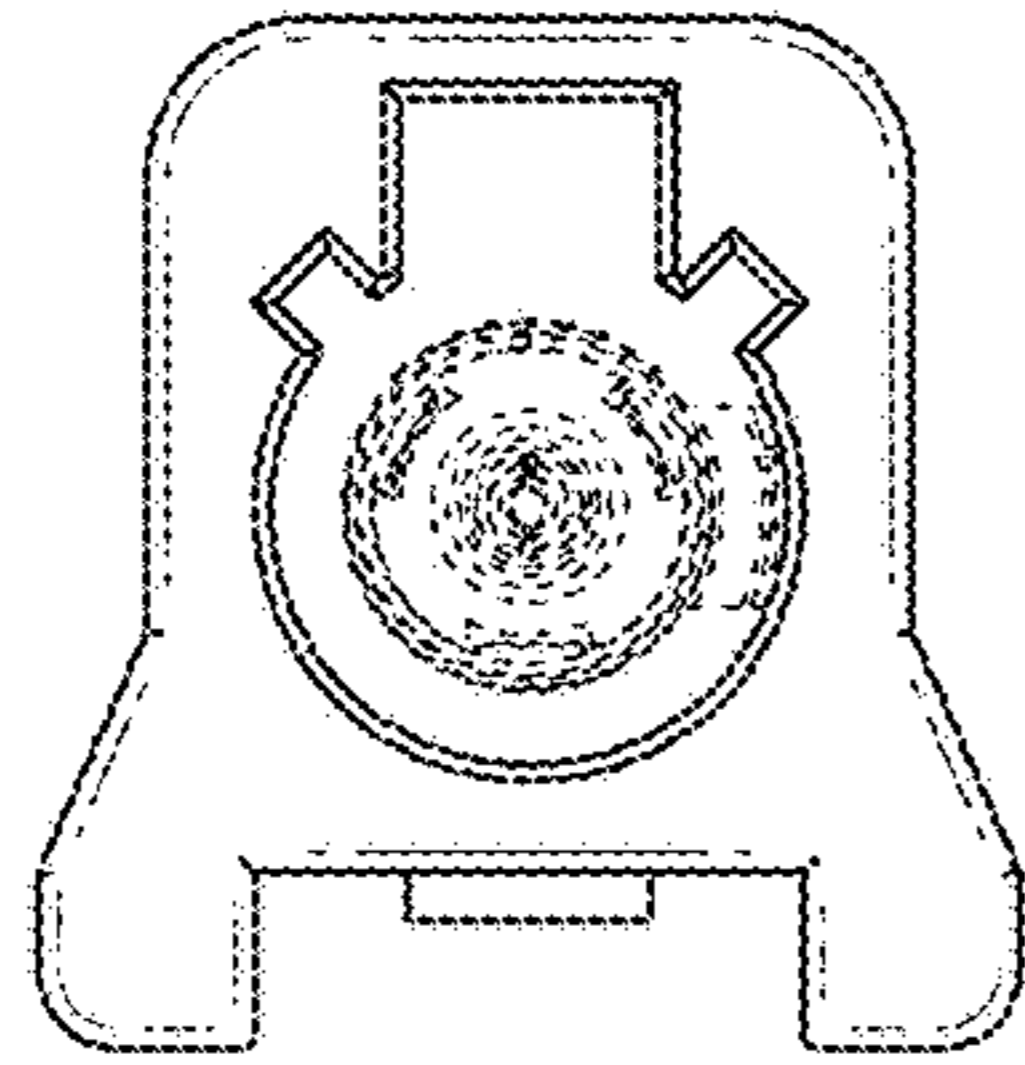


Fig.14

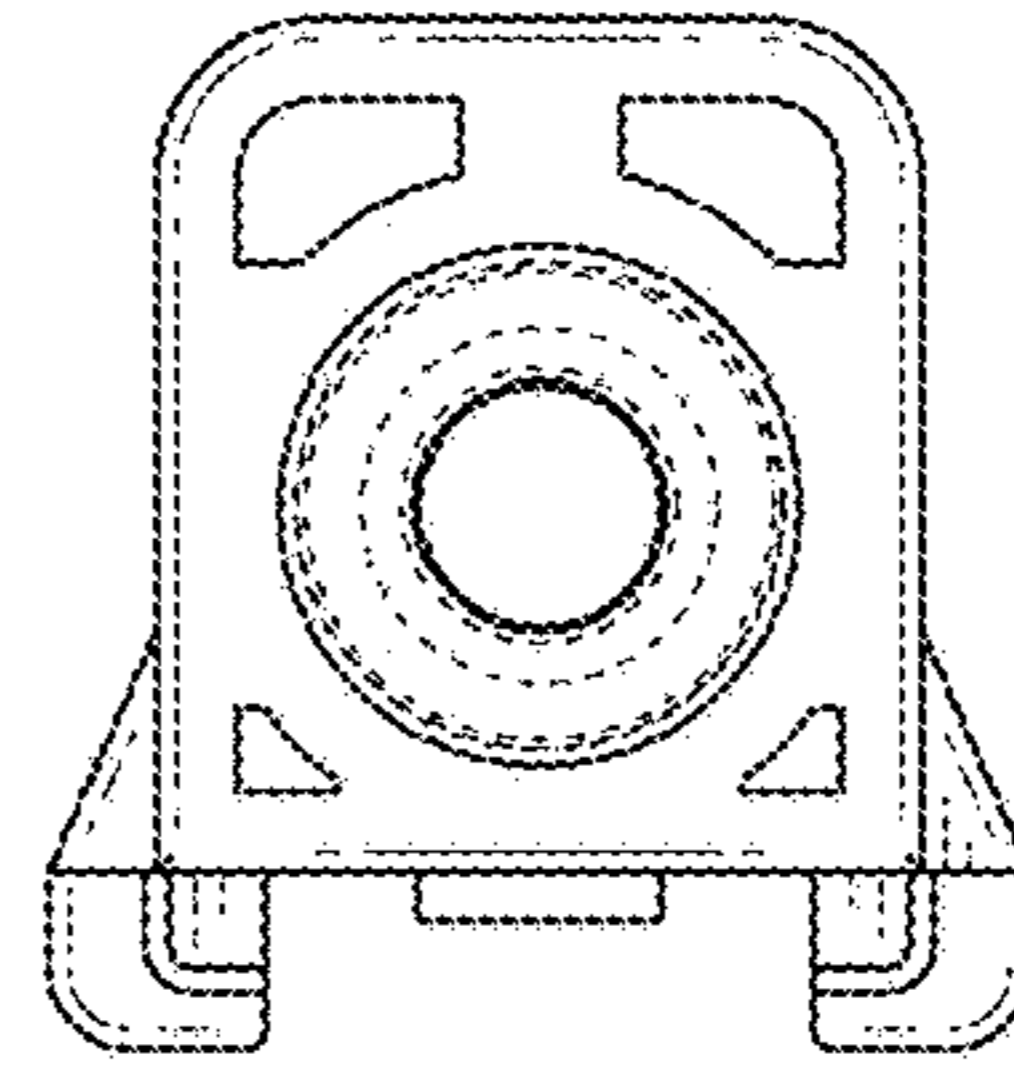


Fig.15

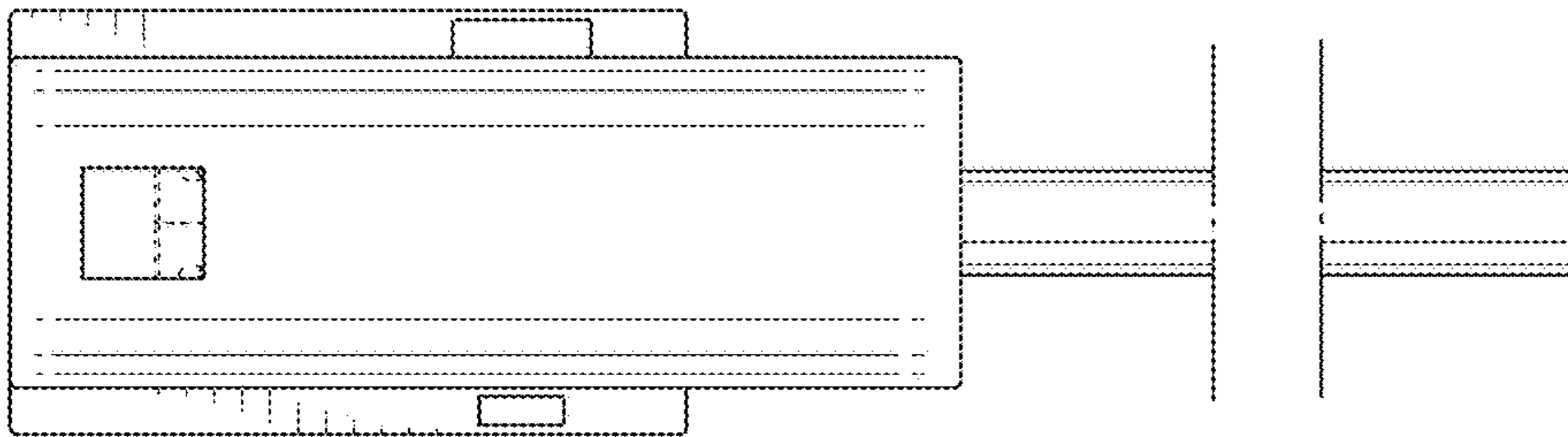


Fig.16

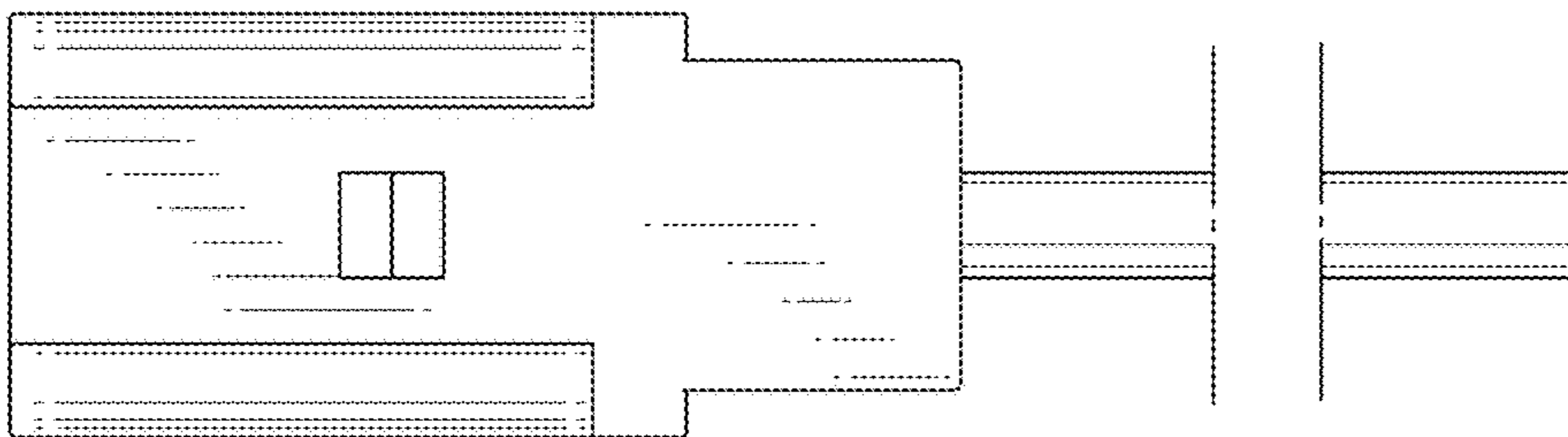


Fig. 17

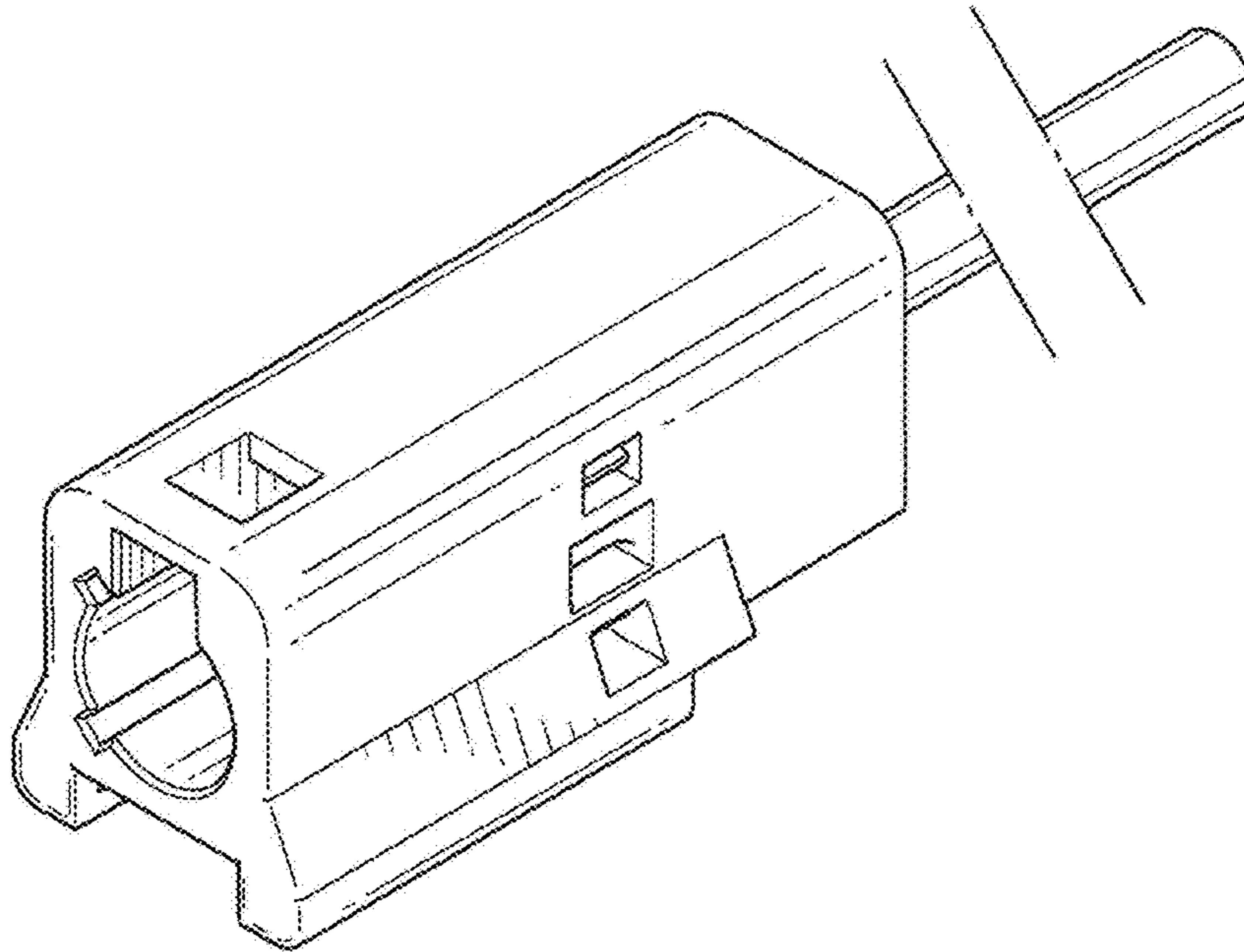


Fig. 18

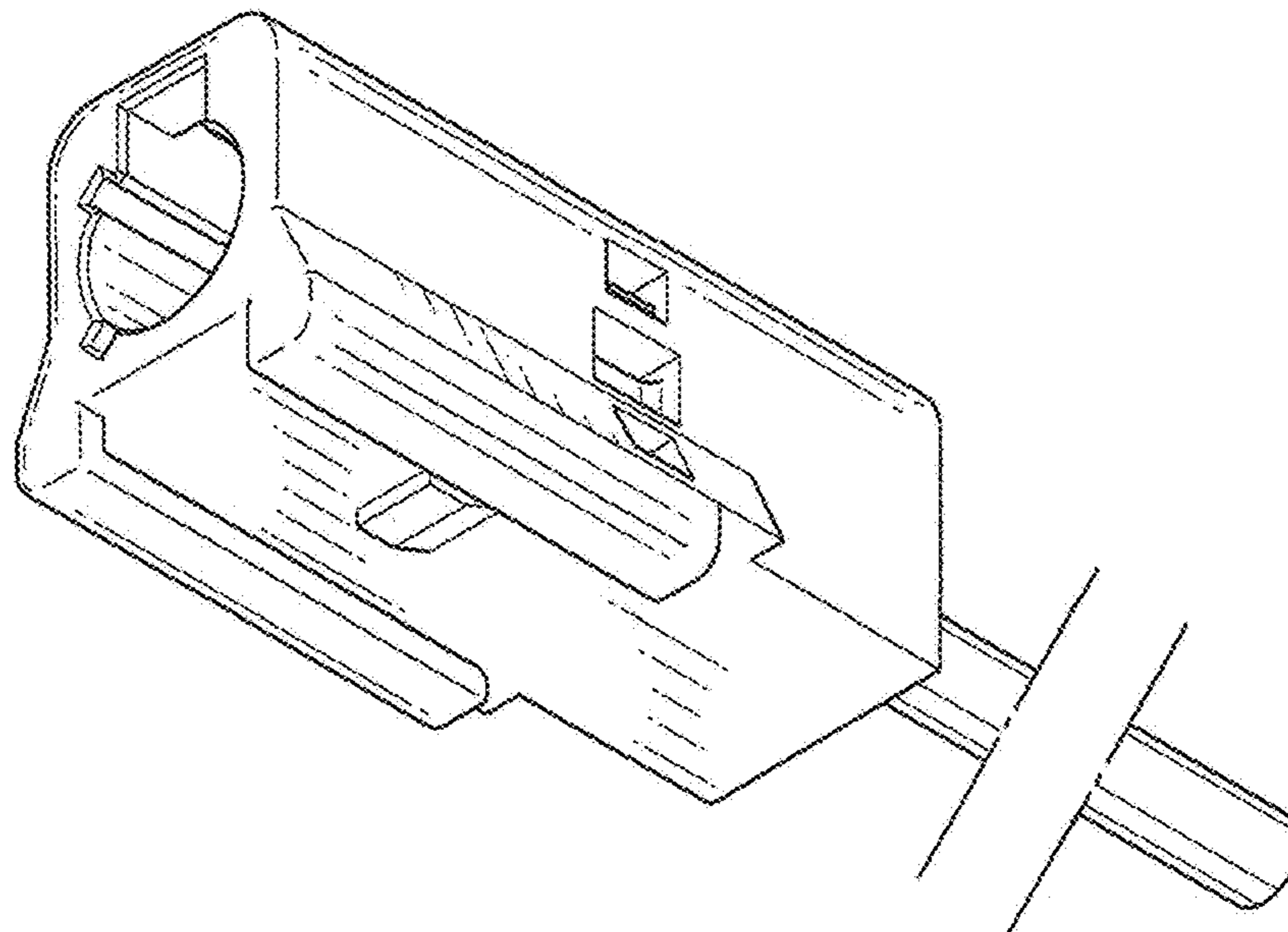


Fig.19

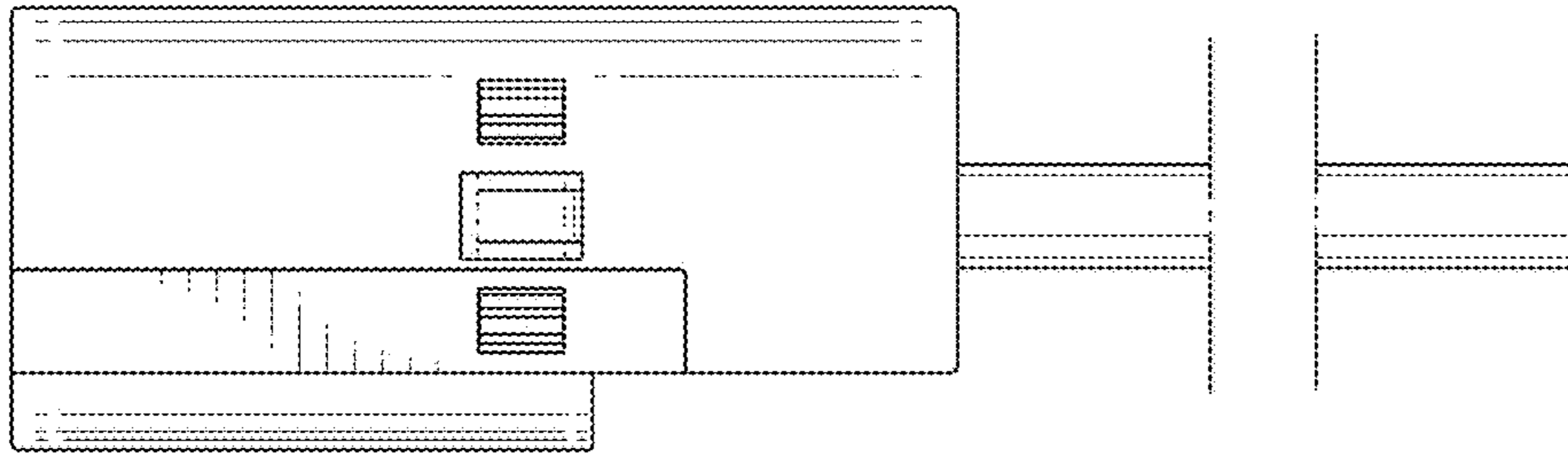


Fig.20

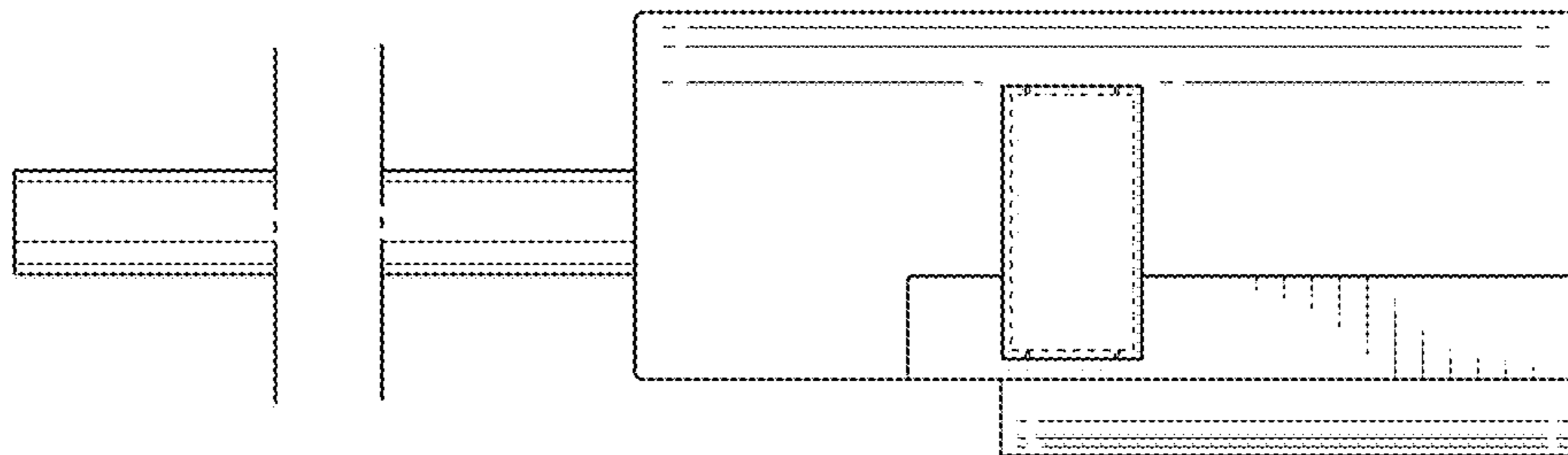


Fig.21

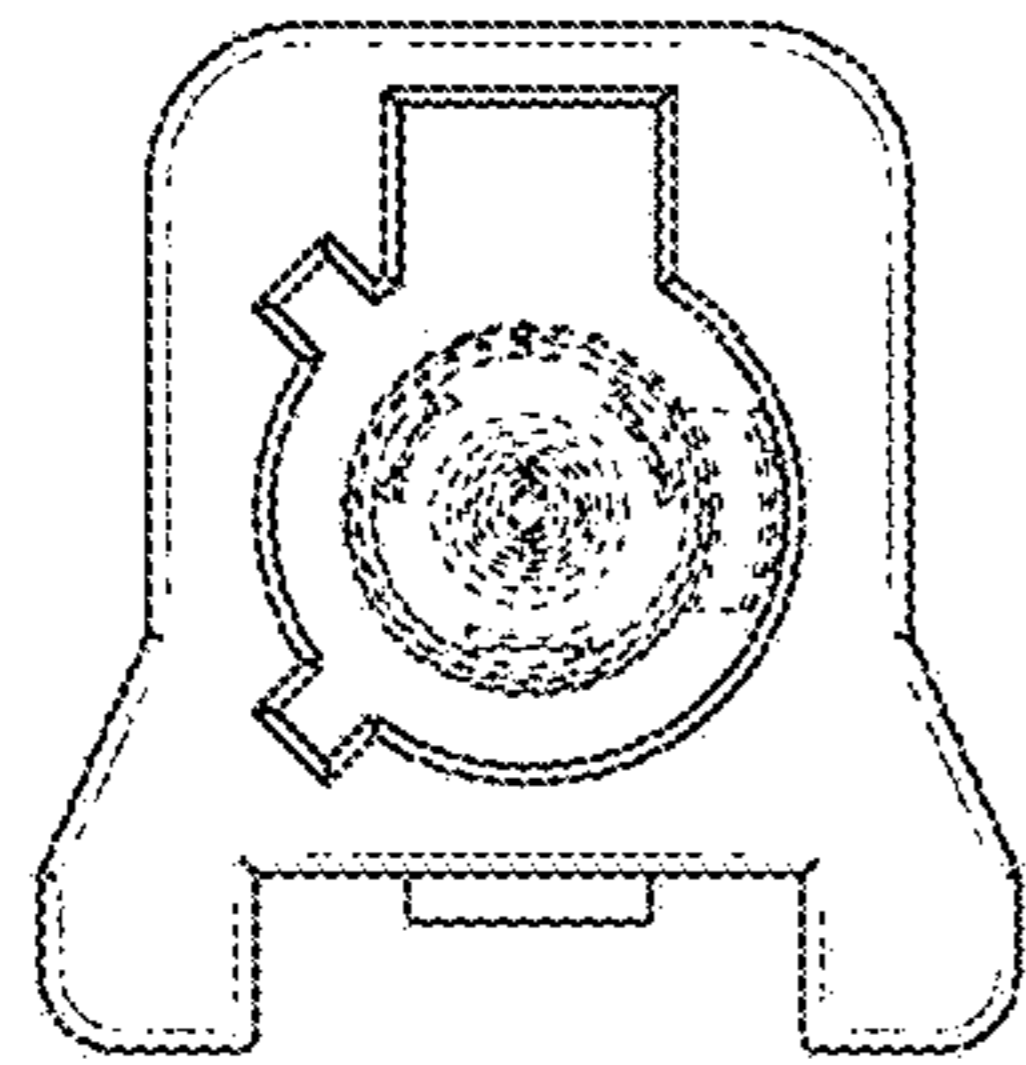


Fig.22

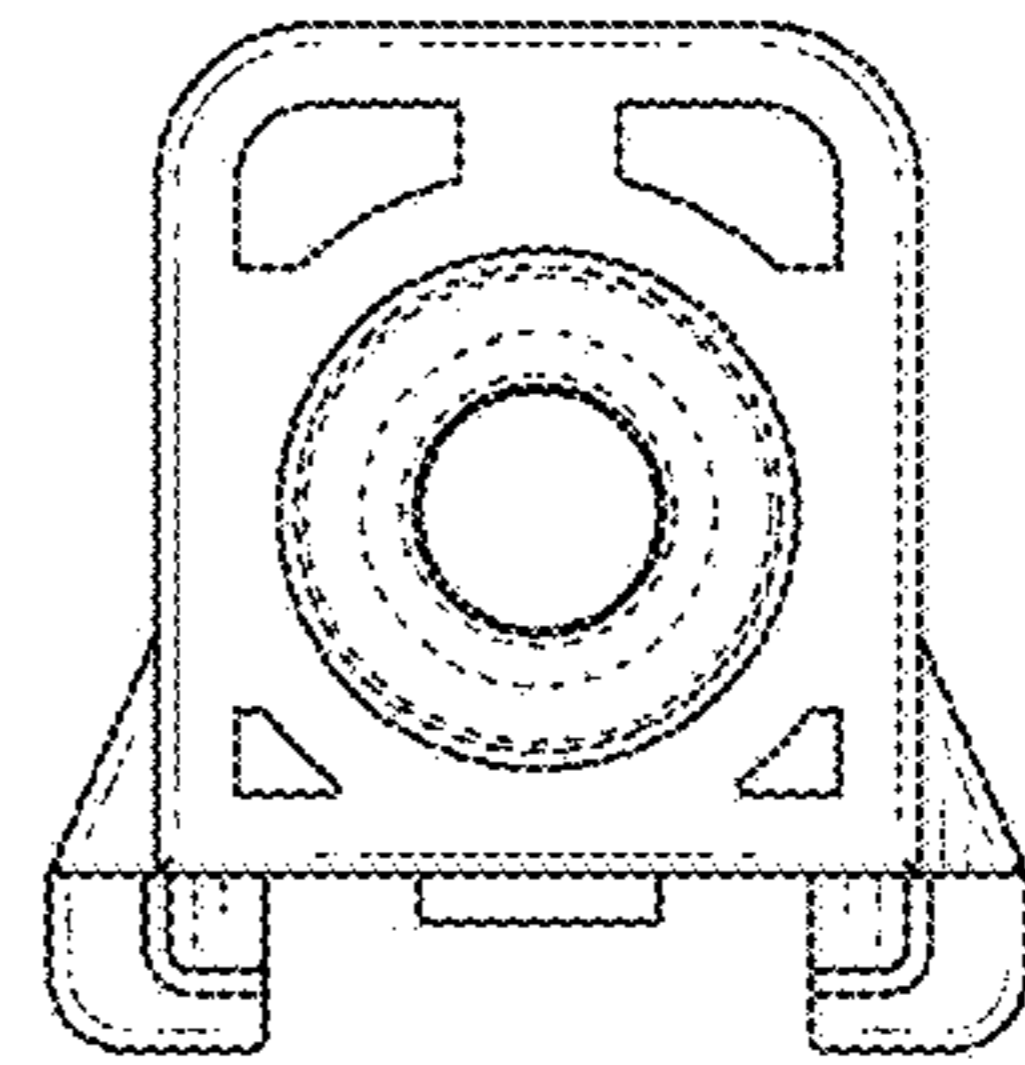


Fig.23

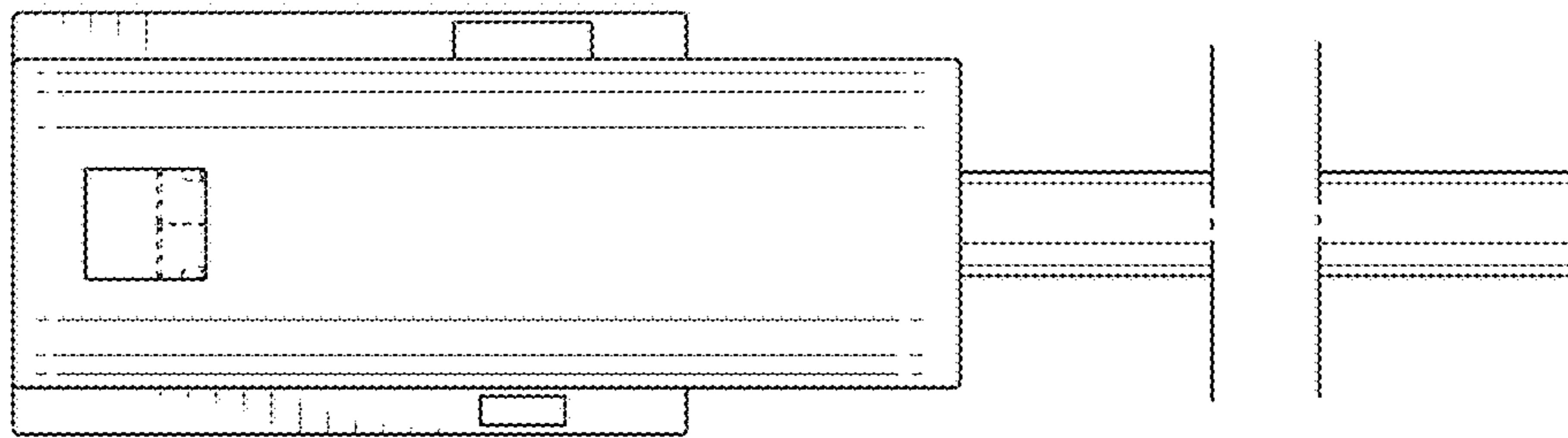


Fig.24

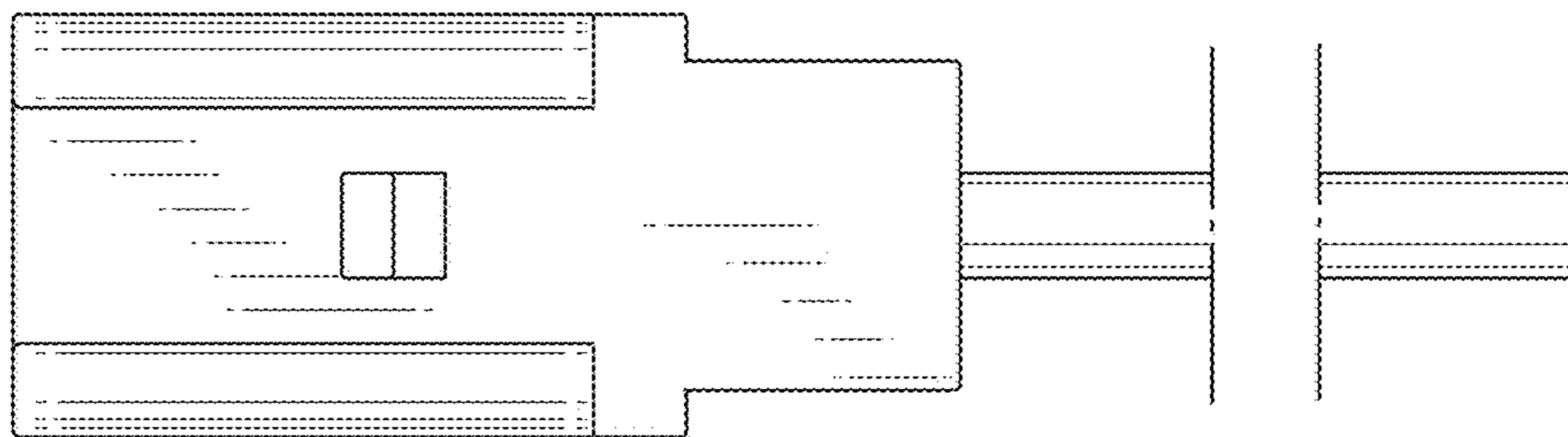


Fig. 25

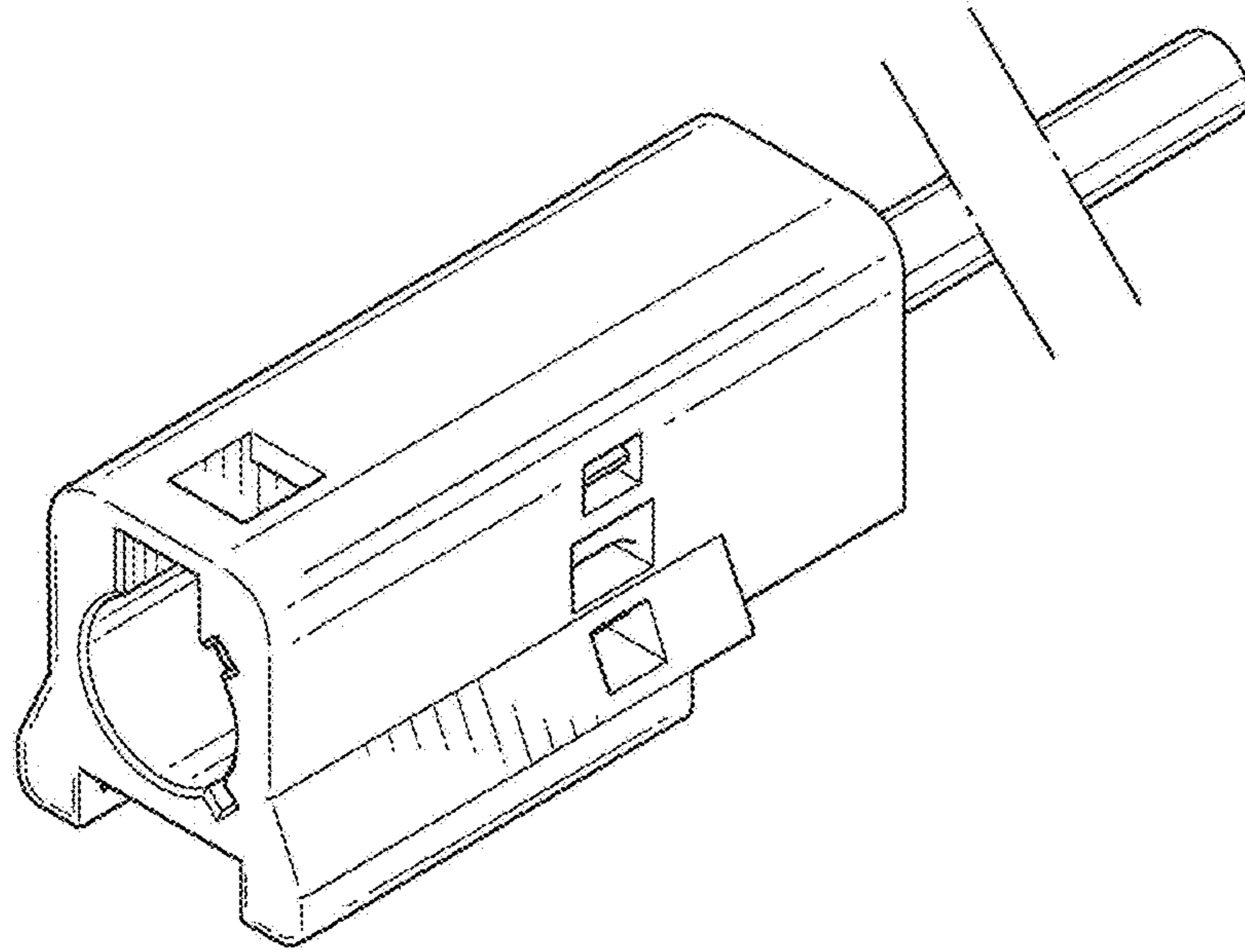


Fig. 26

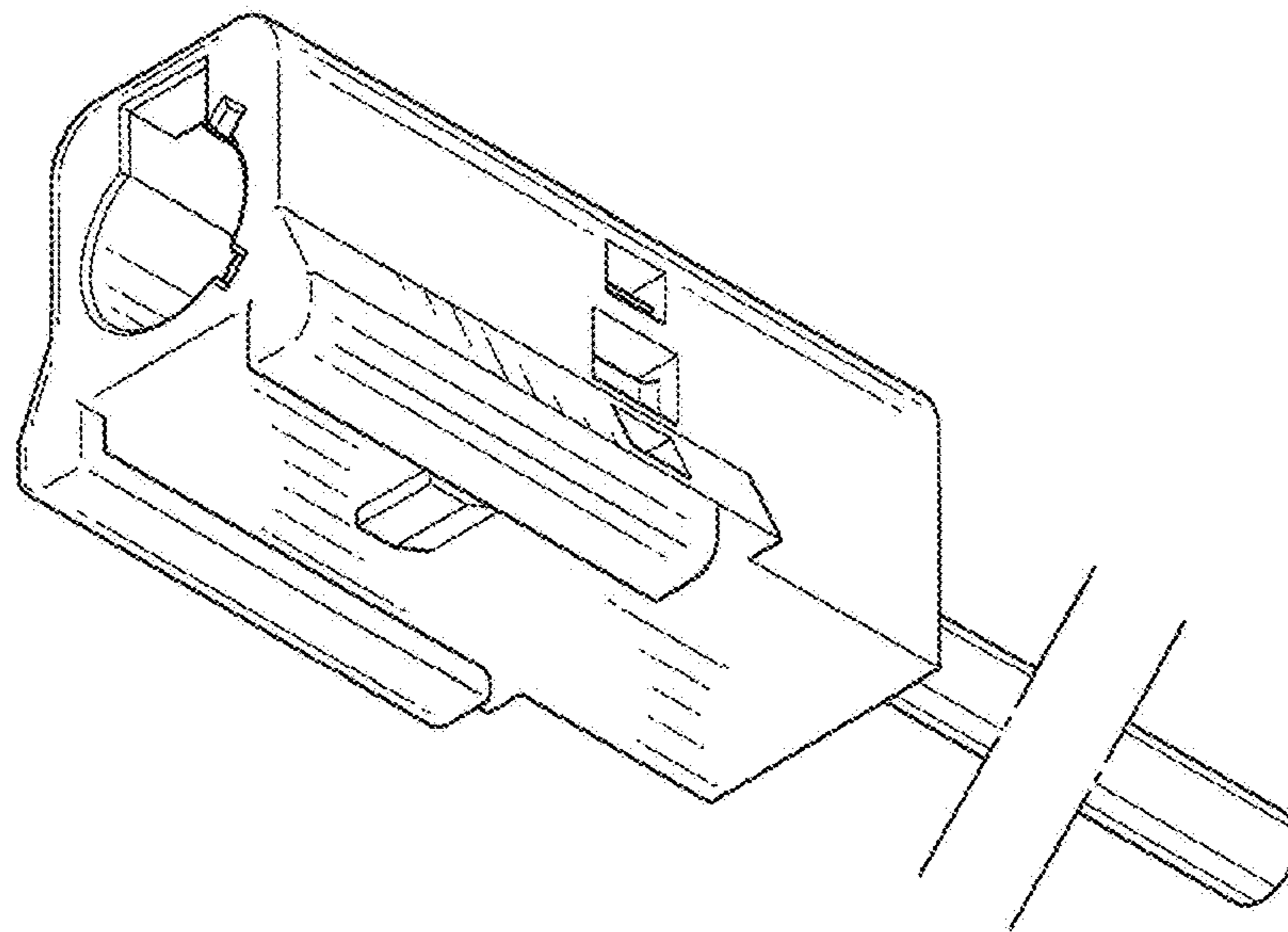


Fig.27

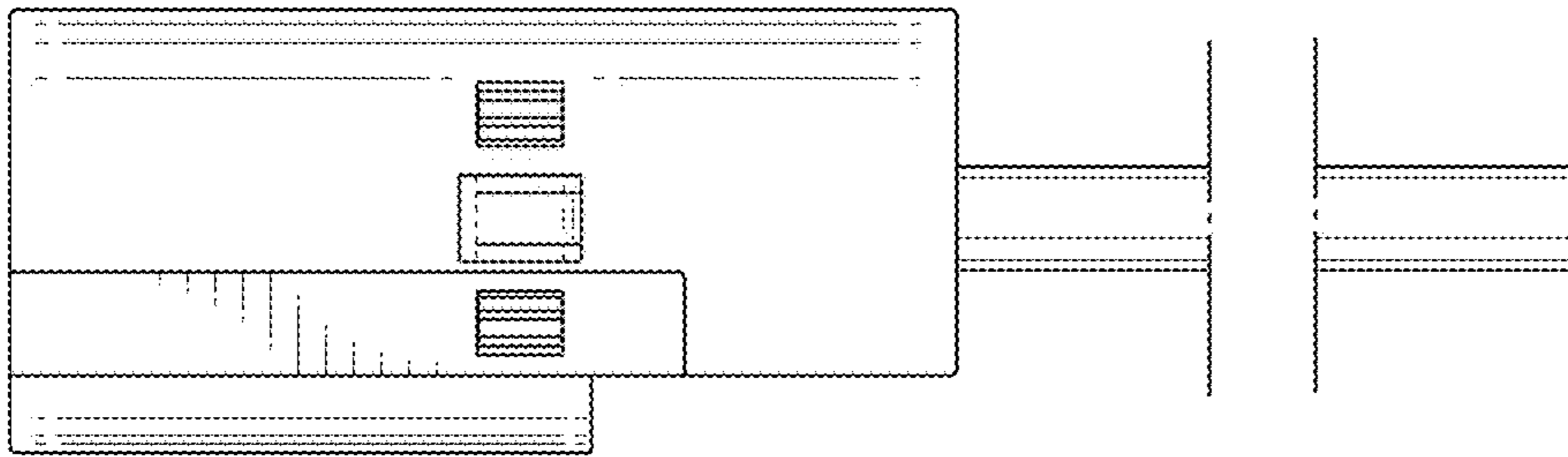


Fig.28

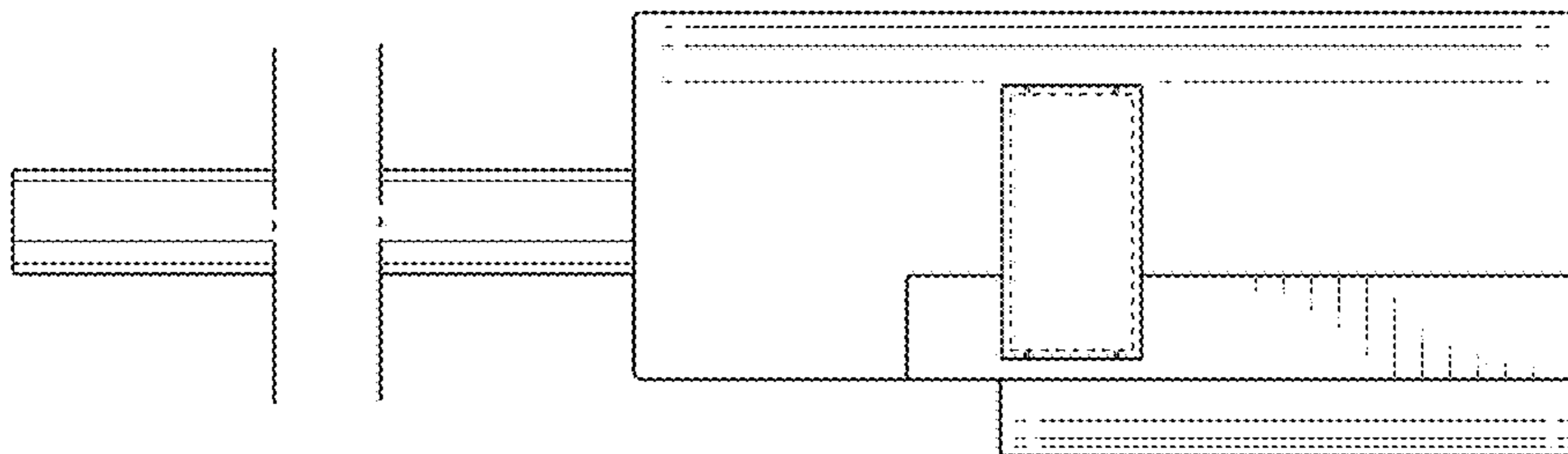


Fig.29

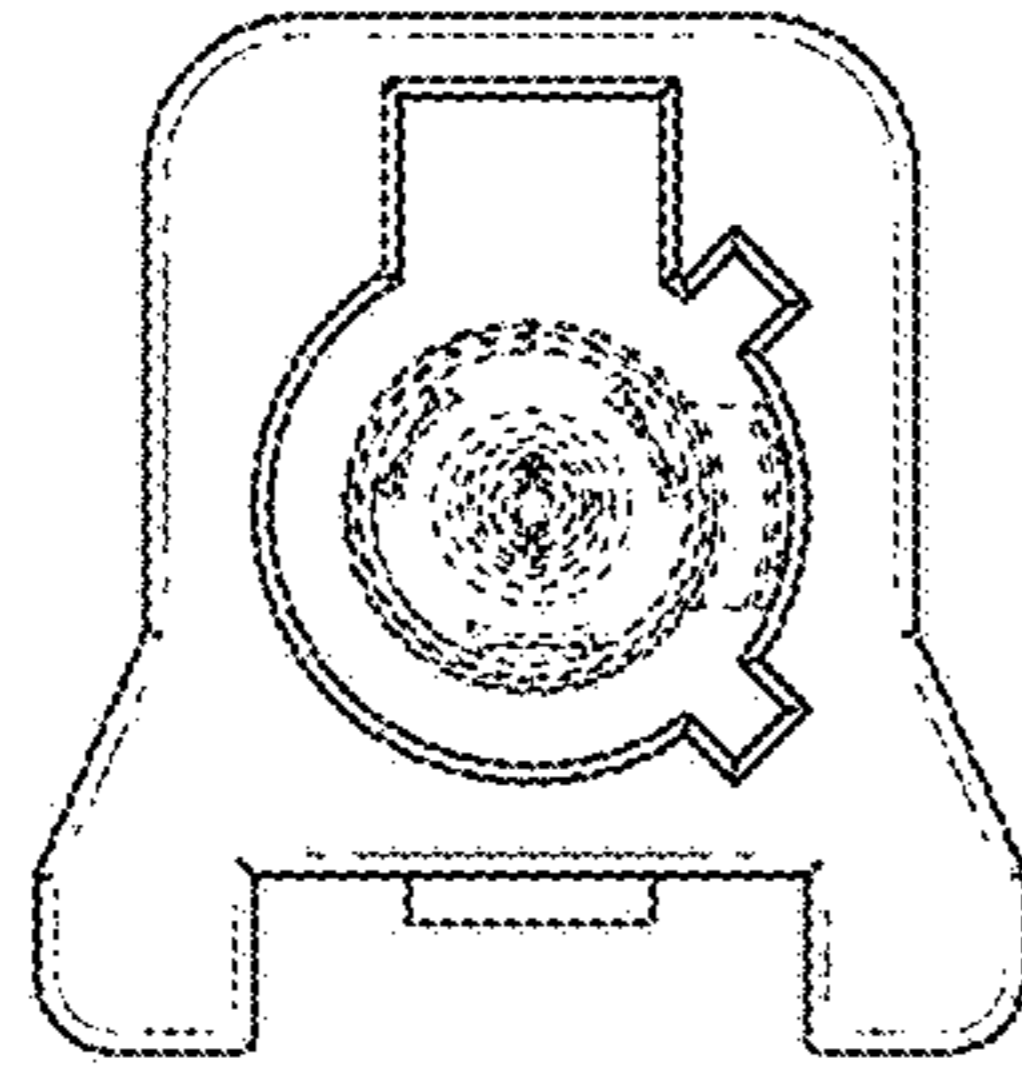


Fig.30

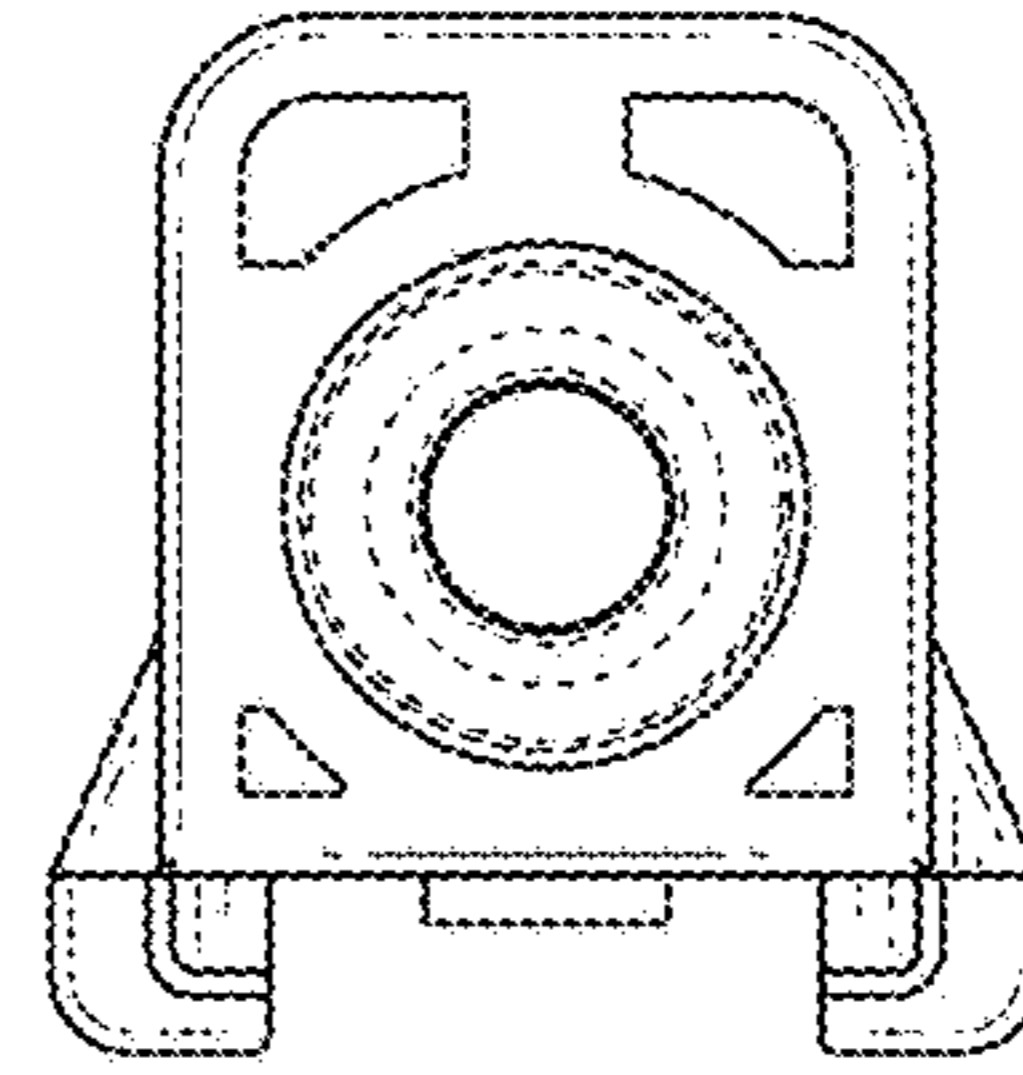


Fig.31

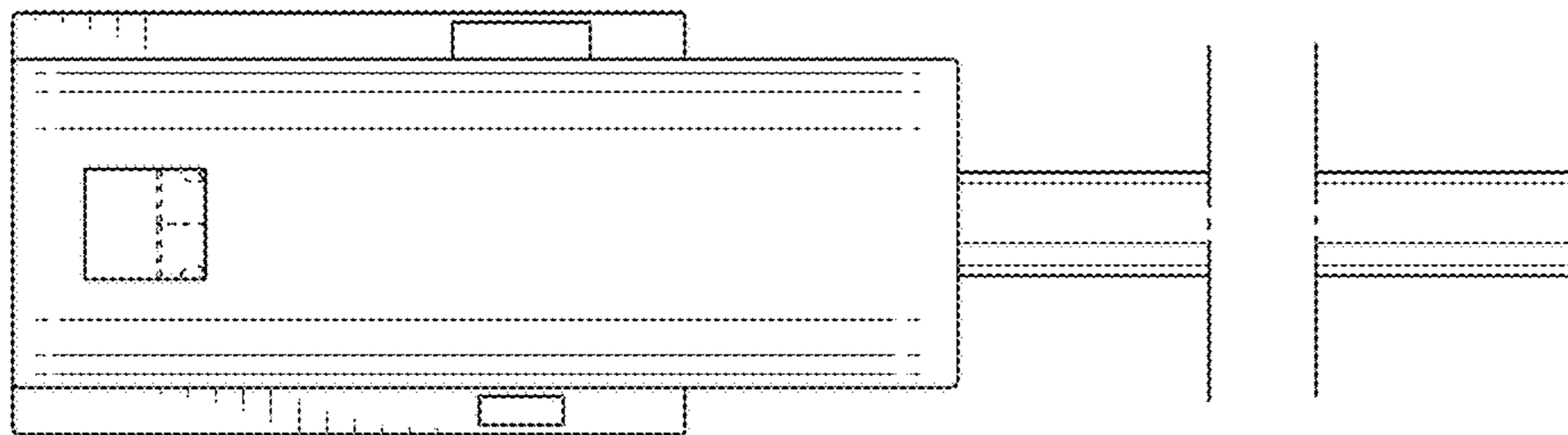


Fig.32

