



US00D843937S

(12) **United States Design Patent** (10) **Patent No.:** **US D843,937 S**
Xiao (45) **Date of Patent:** **** Mar. 26, 2019**

(54) **EARPHONE CHARGING BOX**
(71) Applicant: **Kun Xiao**, Shenzhen (CN)
(72) Inventor: **Kun Xiao**, Shenzhen (CN)
(73) Assignee: **Shenzhen Zijieyuanzi Technology Co., Ltd.**, Shenzhen (CN)
(**) Term: **15 Years**

D602,429 S * 10/2009 Chen D13/102
D656,092 S * 3/2012 Nomi D13/107
D656,093 S * 3/2012 Nomi D13/107
D671,678 S * 11/2012 Wu D27/189
D772,572 S * 11/2016 Palmborg D3/201
D778,156 S * 2/2017 Follett D9/432
D789,785 S * 6/2017 Fujiwara D9/424
D790,335 S * 6/2017 Honings D9/424
9,829,953 B2 * 11/2017 Reade H02J 7/0042
D821,970 S * 7/2018 Loermann D13/107
D823,246 S * 7/2018 Lin D13/108

* cited by examiner

(21) Appl. No.: **29/595,176**
(22) Filed: **Feb. 27, 2017**
(51) **LOC (11) Cl.** **13-02**
(52) **U.S. Cl.**
USPC **D13/108**
(58) **Field of Classification Search**
USPC D13/107-110, 118-119, 184; D14/251,
D14/253, 432, 434
CPC Y02E 60/12; Y02T 90/14; Y02T 90/122;
Y02T 90/128; Y02T 90/163; H02J 7/025;
H02J 7/0042; H02J 7/0044; H02J 7/0045;
H02J 7/0003; H01F 38/14; H01R
13/6675; H01M 2/1022; H01M 2/1055;
H01M 10/44; H01M 10/46; H01M
10/425; B60L 11/182
See application file for complete search history.

Primary Examiner — Rosemary K Tarca
Assistant Examiner — Nathaniel D. Buckner

(57) **CLAIM**

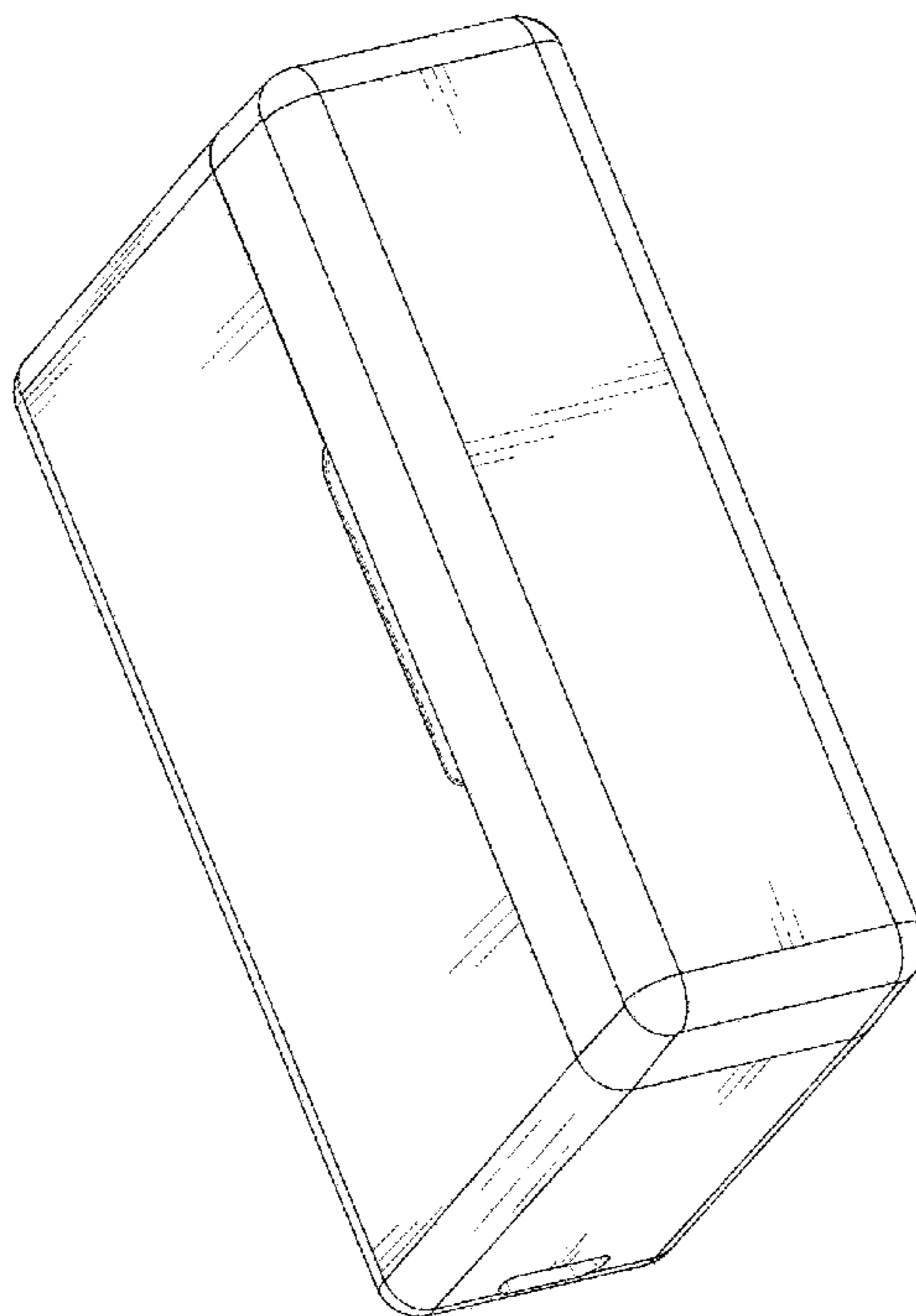
The ornamental design for earphone charging box, as shown and described.

DESCRIPTION

FIG. 1 is a front elevational view of earphone charging box showing my new design;
FIG. 2 is a rear elevational view thereof;
FIG. 3 is a left side elevational view thereof;
FIG. 4 is a right side elevational view thereof;
FIG. 5 is a top plan view thereof;
FIG. 6 is a bottom plan view thereof; and,
FIG. 7 is a front perspective view thereof.
The claimed earphone charging box is used for storage and charging earphone.
The broken lines in FIG. 7 depict environment that forms no part of the claimed design.

(56) **References Cited**
U.S. PATENT DOCUMENTS
D432,263 S * 10/2000 Issa D27/187
D553,077 S * 10/2007 Kim D13/108

1 Claim, 7 Drawing Sheets



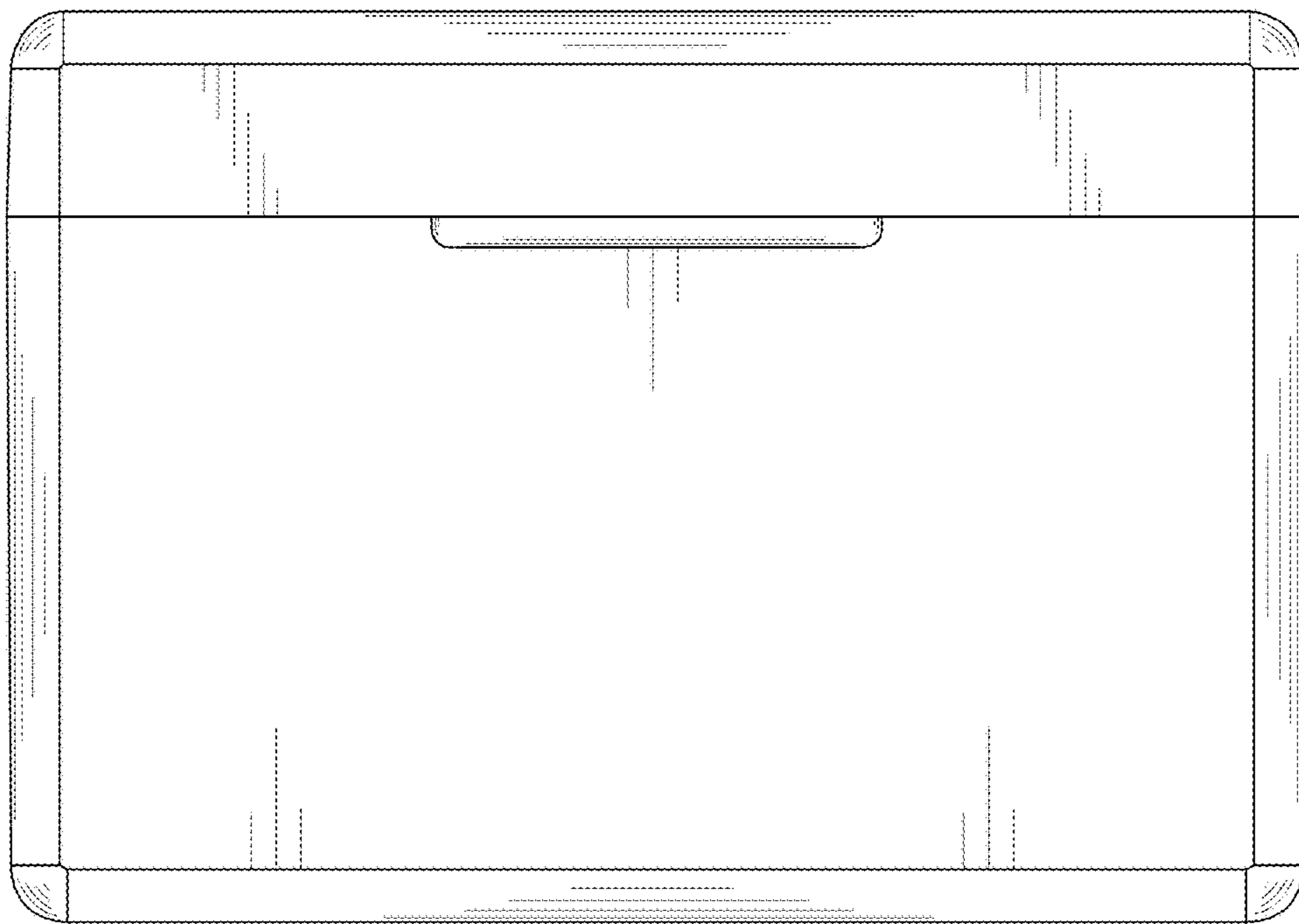


FIG.1

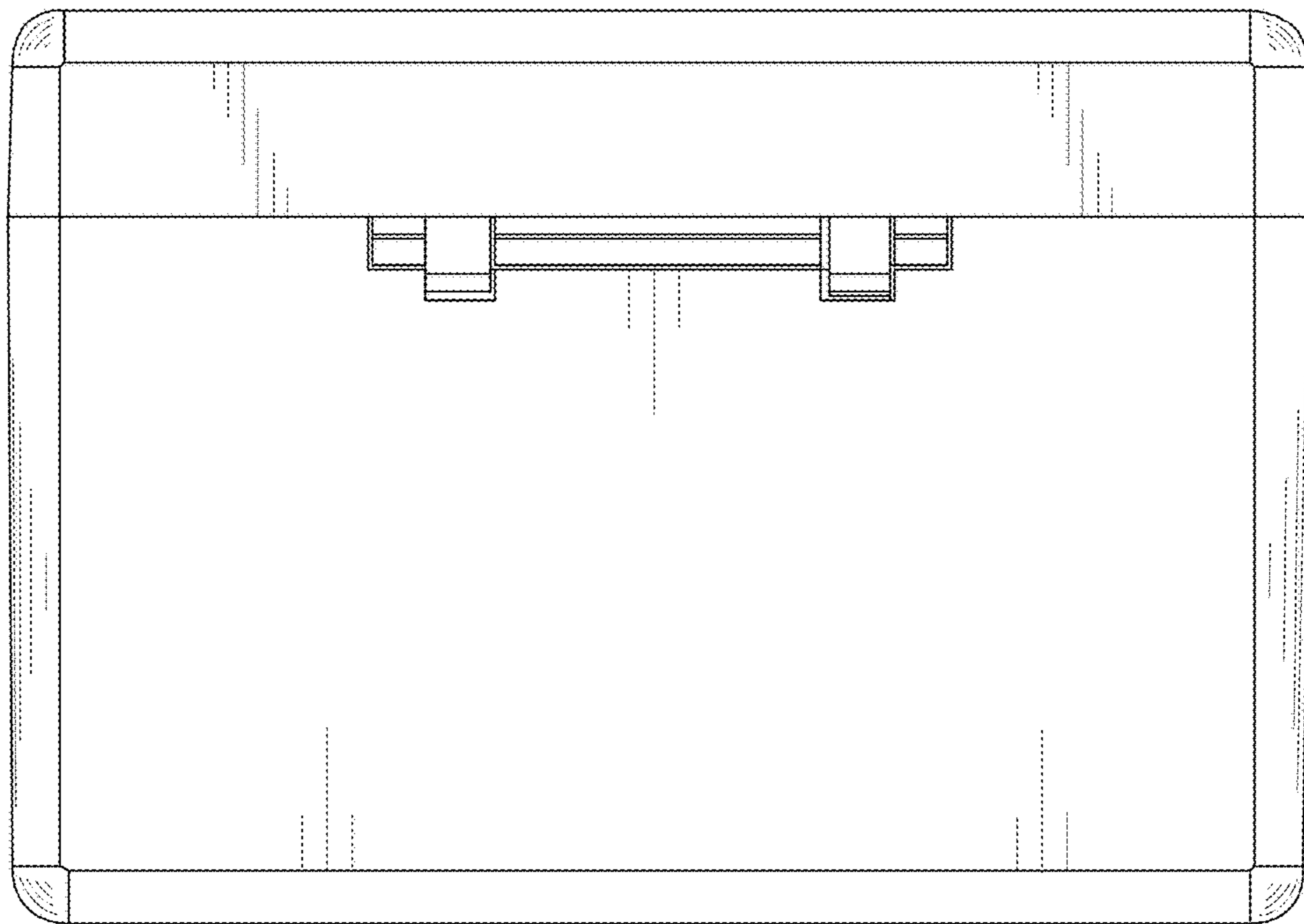


FIG.2

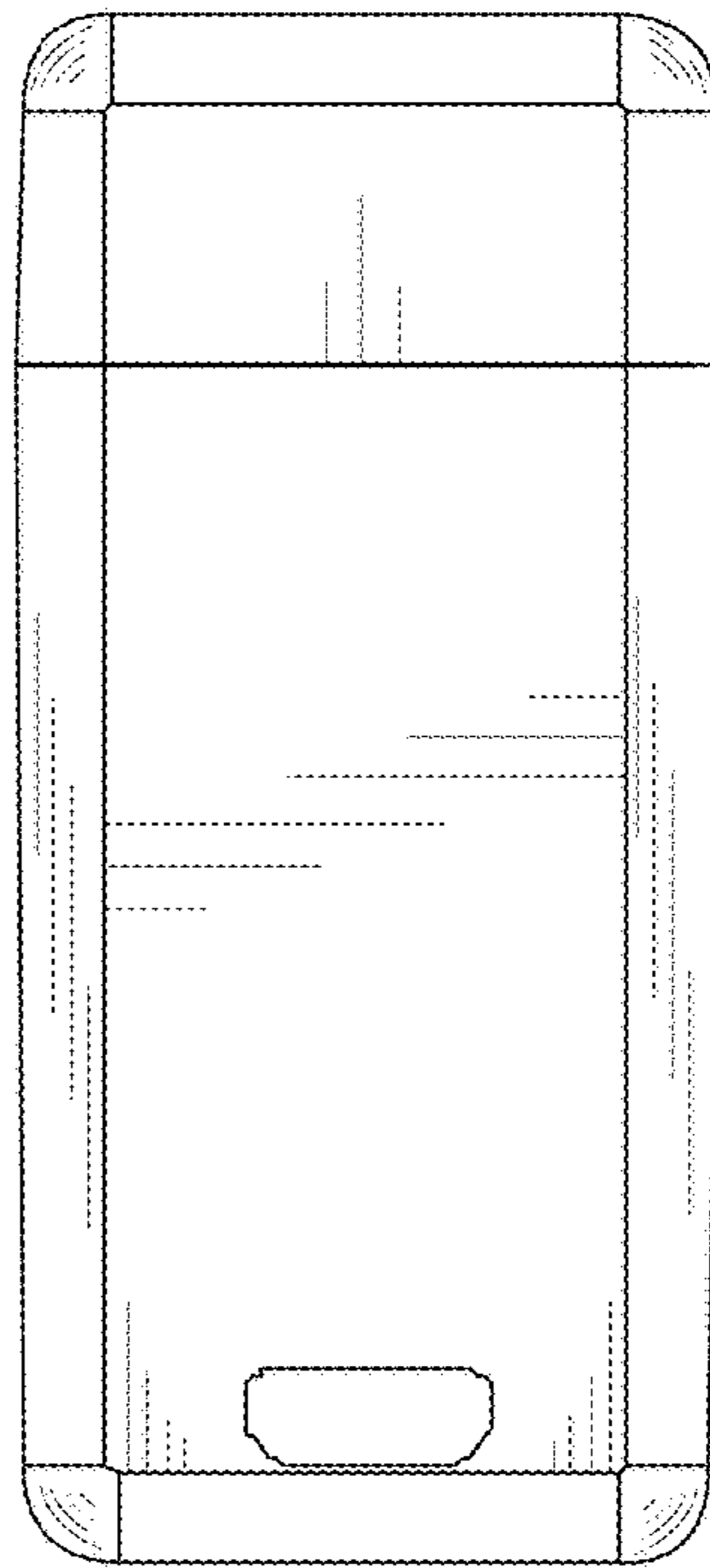


FIG.3

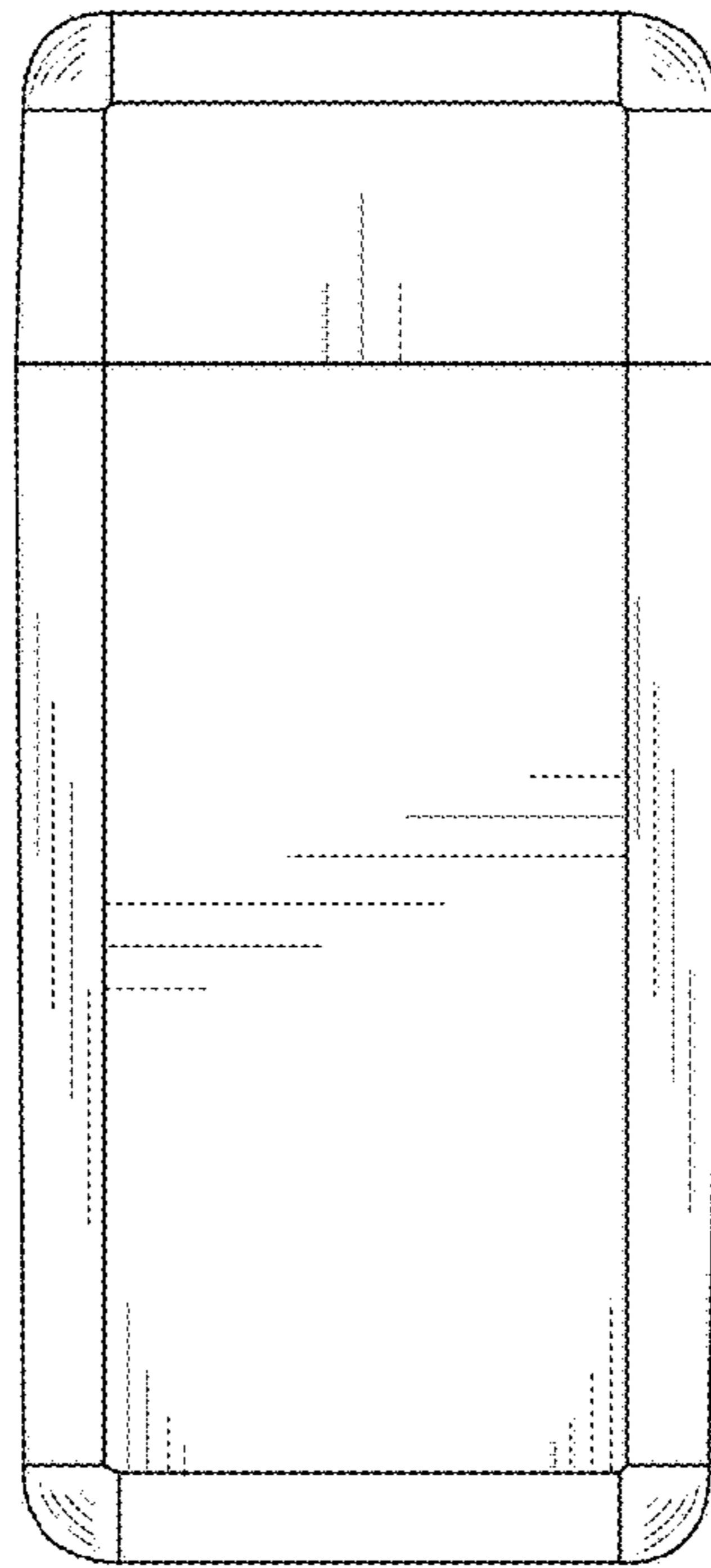


FIG.4

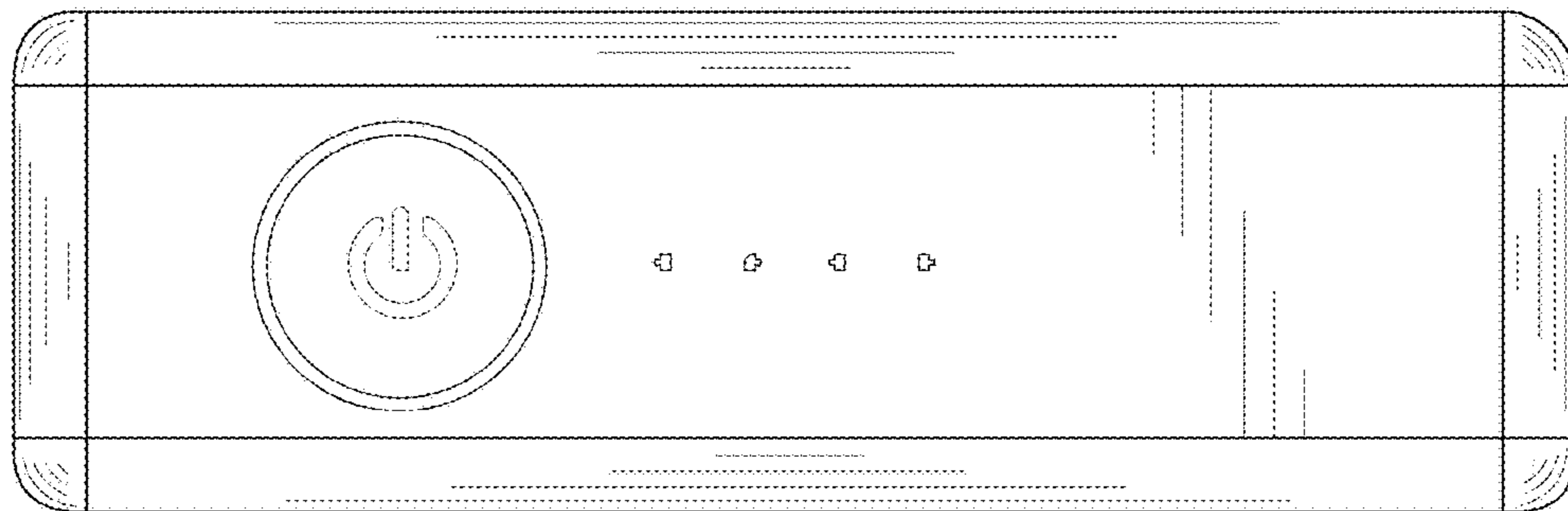


FIG.5

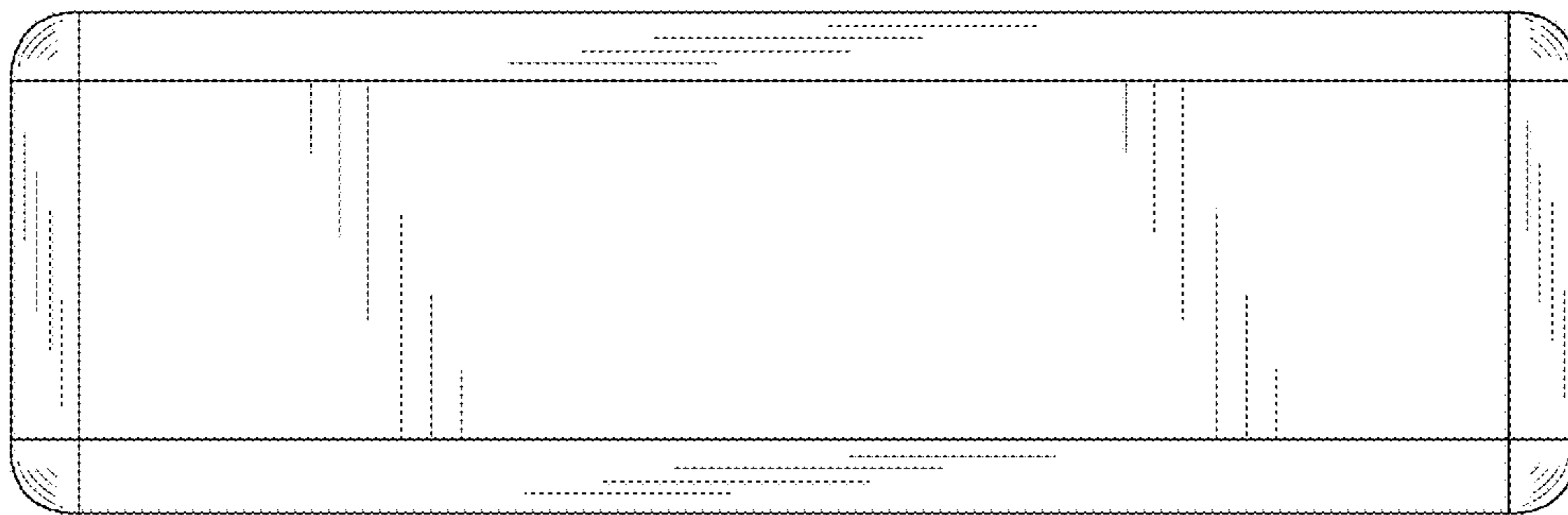


FIG.6

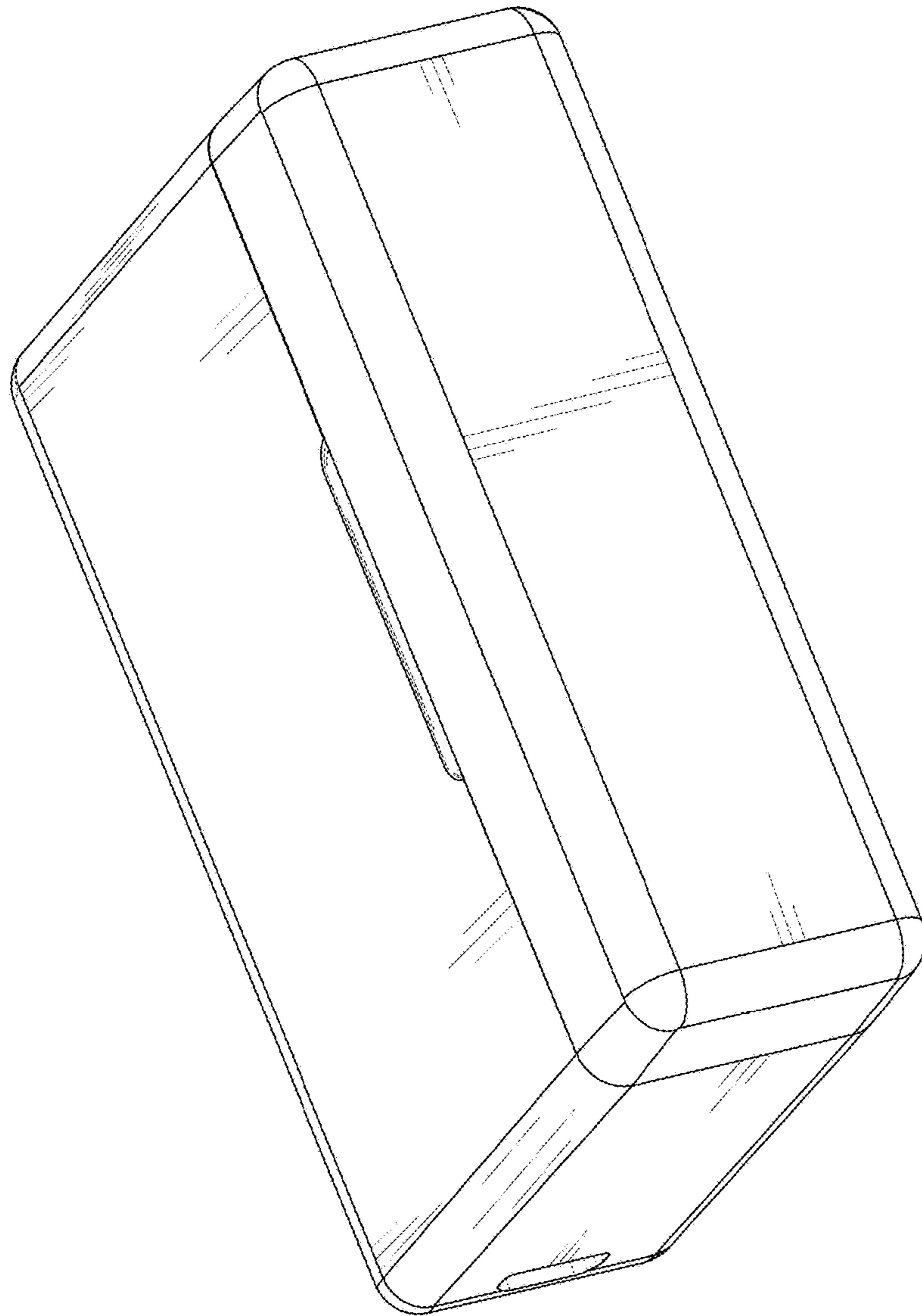


FIG.7