



US00D843935S

(12) **United States Design Patent**
Luo

(10) **Patent No.:** **US D843,935 S**

(45) **Date of Patent:** **** Mar. 26, 2019**

(54) **BATTERY CASE**

(71) Applicant: **Huacheng Luo**, Fujian (CN)

(72) Inventor: **Huacheng Luo**, Fujian (CN)

(73) Assignee: **Shenzhen Teliqi Electronic Technology Co., Ltd.**, Shenzhen (CN)

(**) Term: **15 Years**

(21) Appl. No.: **29/626,441**

(22) Filed: **Nov. 17, 2017**

(51) **LOC (11) Cl.** **13-02**

(52) **U.S. Cl.**
USPC **D13/103**

(58) **Field of Classification Search**

USPC D13/102-108, 110, 118, 119, 184, 199;
D14/250; D8/61; D9/772, 422, 428
CPC Y02E 60/12; Y02E 60/122; Y02E 60/124;
Y02E 60/50; H01M 2/02; H01M 2/022;
H01M 2/0202; H01M 2/0207; H01M
2/0212; H01M 2/1061; H01M 2/1022;
H01M 2/1055; H01M 2/1066; H01M
2/105; H01M 2/204; H01M 10/4257;
H01M 10/0436; H01M 10/48

See application file for complete search history.

(56) **References Cited**

U.S. PATENT DOCUMENTS

D616,360 S * 5/2010 Huang D13/103
D652,828 S * 1/2012 Fahrendorff D14/250
D653,202 S * 1/2012 Hasbrook D13/103
D661,646 S * 6/2012 Son D13/108
D681,620 S * 5/2013 Huskinson D14/250
D709,439 S * 7/2014 Ferber D13/103

D721,064 S * 1/2015 Sun D14/250
D749,555 S * 2/2016 Poon D14/250
D759,585 S * 6/2016 Herbst D13/103
D762,205 S * 7/2016 Dang D14/250
D767,485 S * 9/2016 To D13/103
D770,434 S * 11/2016 Choe D14/250
D776,102 S * 1/2017 Kim D14/250
D795,184 S * 8/2017 Jung D13/103
D825,542 S * 8/2018 Wikstrom D14/250
D828,829 S * 9/2018 Shoemake D14/250

* cited by examiner

Primary Examiner — Rosemary K Tarcaza

Assistant Examiner — Christy M Nemeth

(57) **CLAIM**

I claim the ornamental design for a battery case, as shown and described.

DESCRIPTION

FIG. 1 is a front perspective view of a battery case showing my new design;

FIG. 2 is a front elevational view thereof;

FIG. 3 is a rear elevational view thereof;

FIG. 4 is a left side elevational view thereof;

FIG. 5 is a right side elevational view thereof;

FIG. 6 is a top plan view thereof;

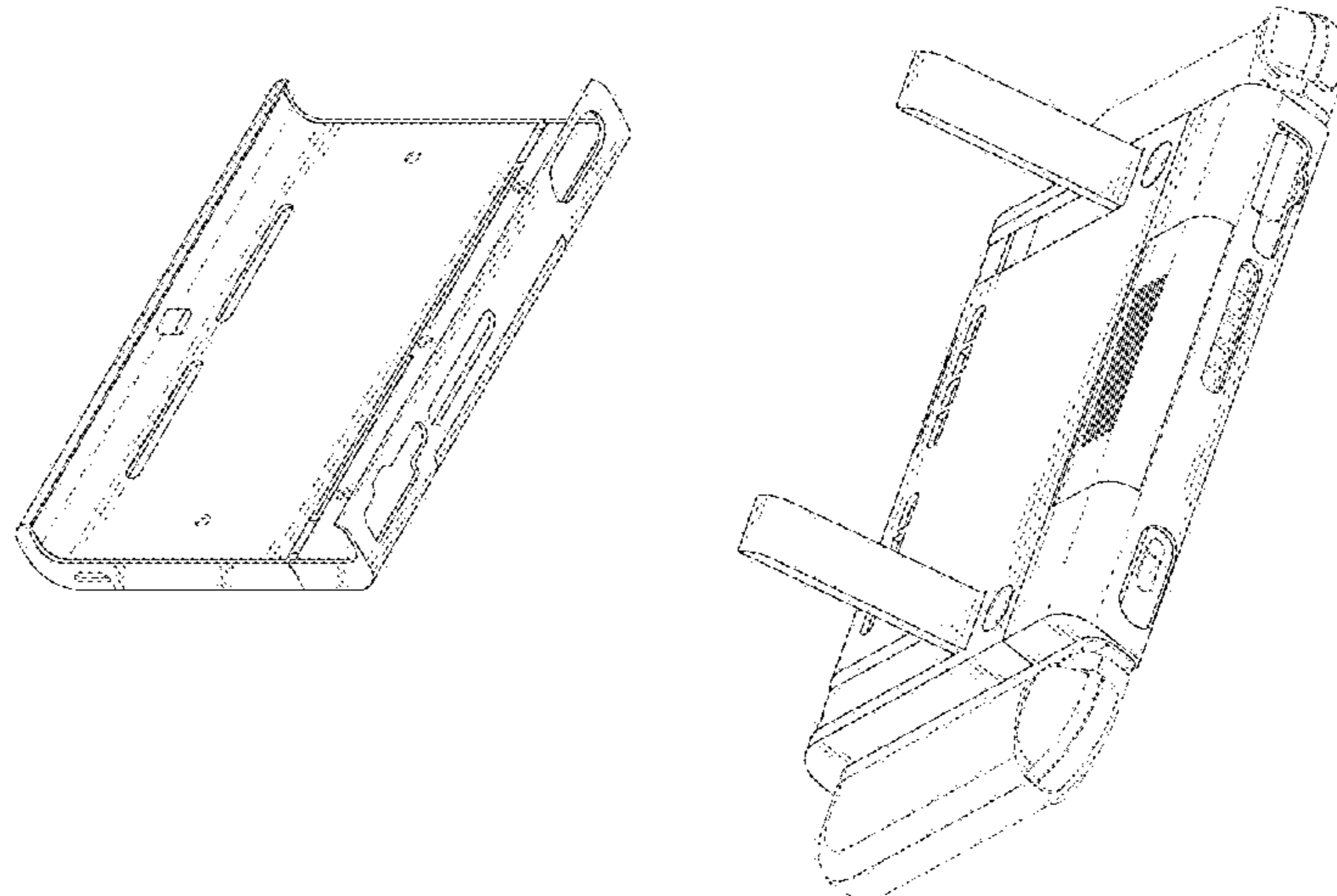
FIG. 7 is a bottom plan view thereof;

FIG. 8 is a rear perspective view thereof; and,

FIG. 9 is a rear, right side perspective view showing the battery case in a state of use, with the two supports in an extended position.

The broken lines in the drawings are for the purpose of illustrating environmental subject matter and portions of the battery case that form no part of the claimed design.

1 Claim, 9 Drawing Sheets



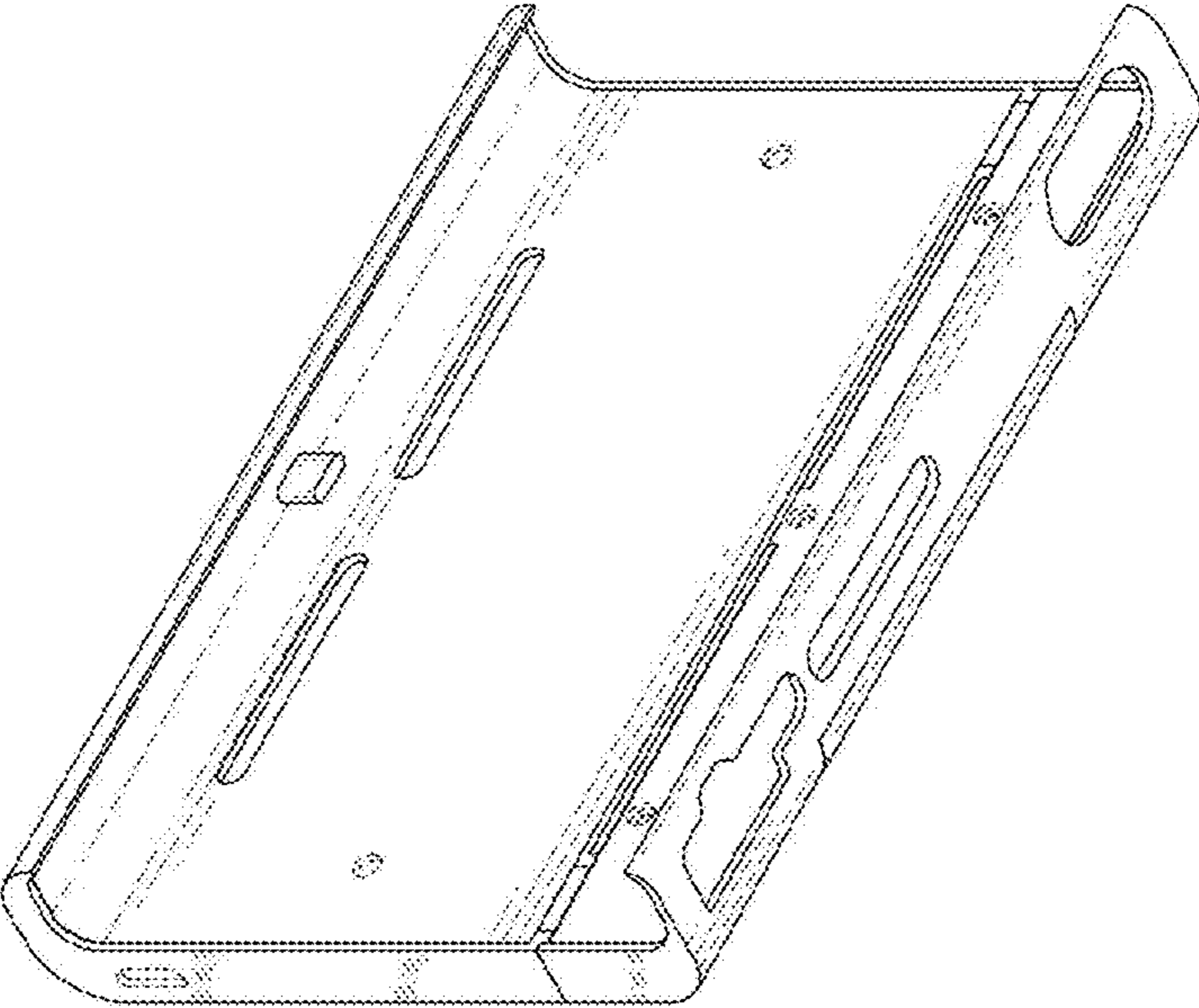


FIG.1

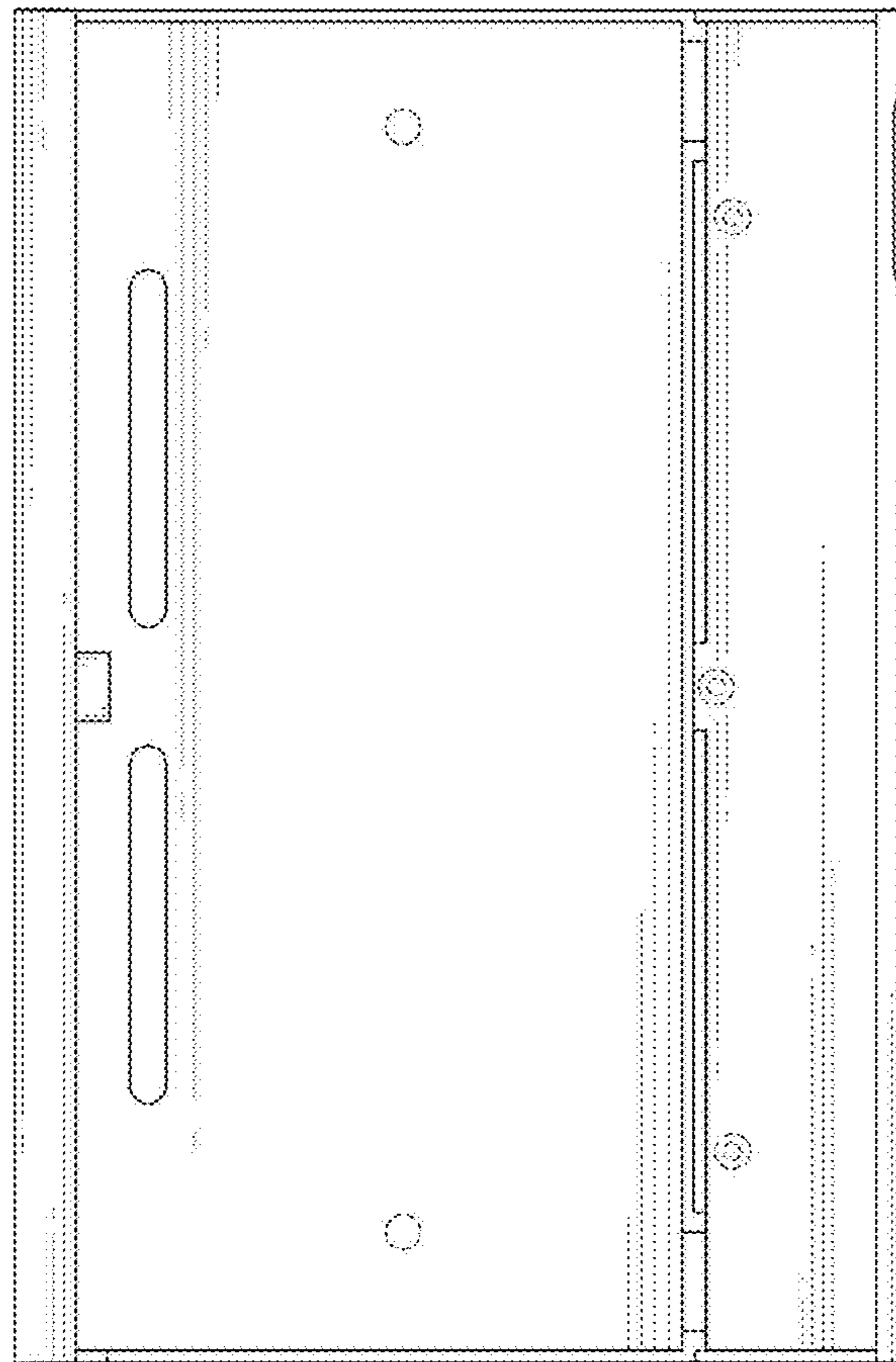


FIG.2

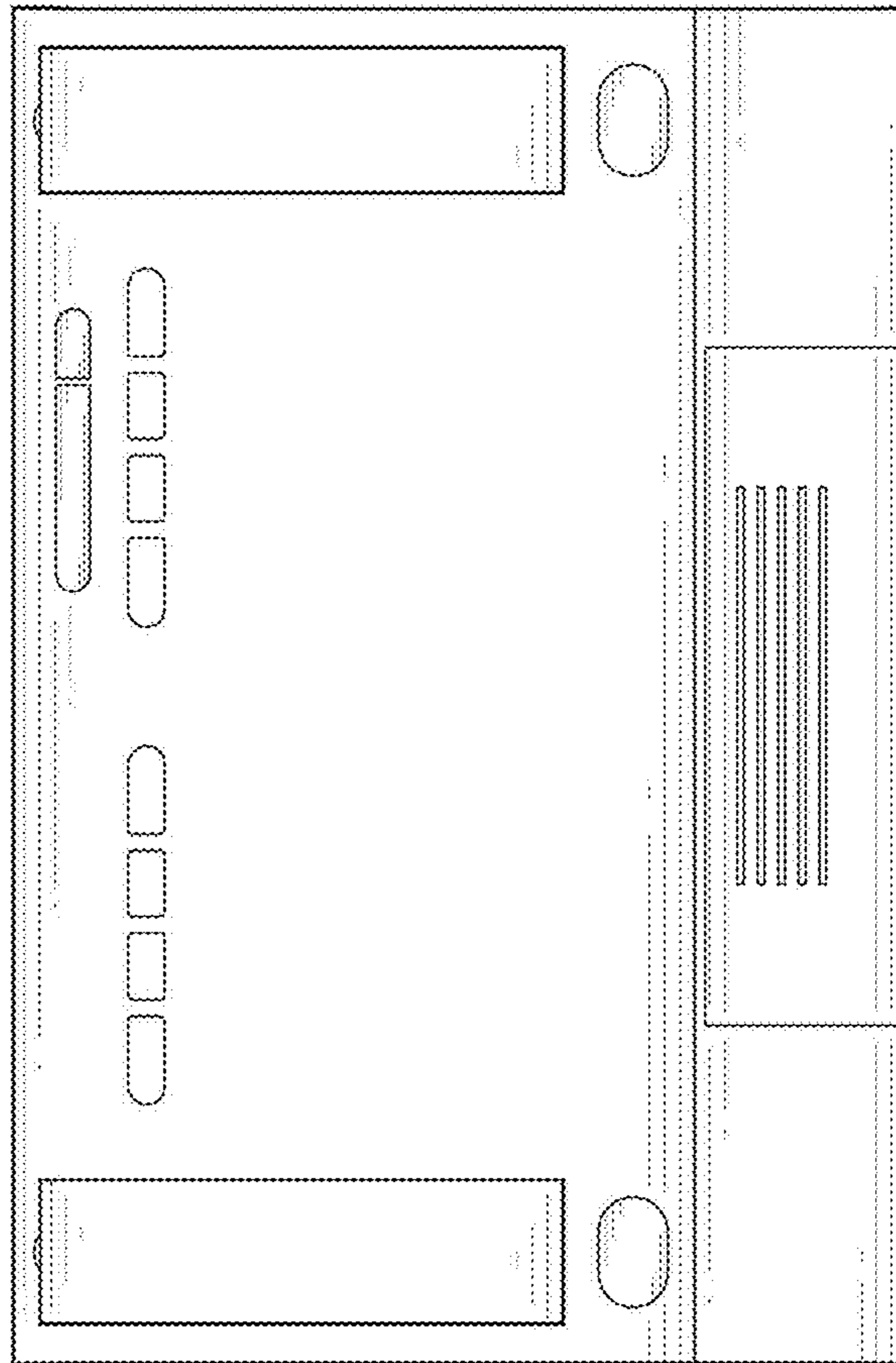


FIG.3

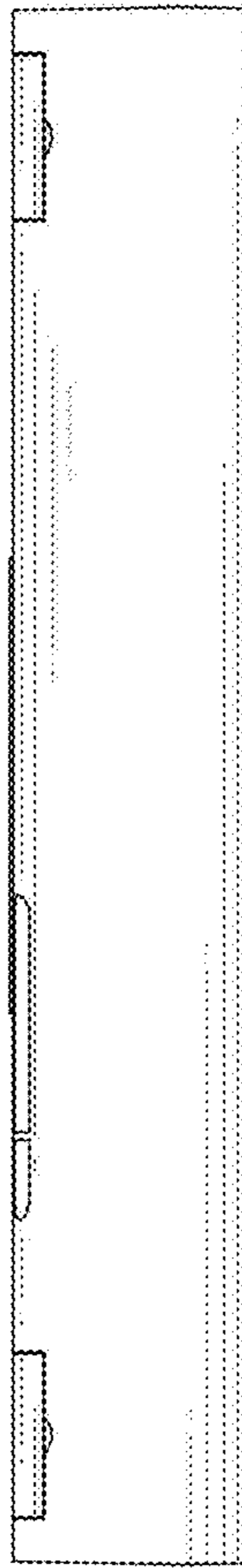


FIG.4

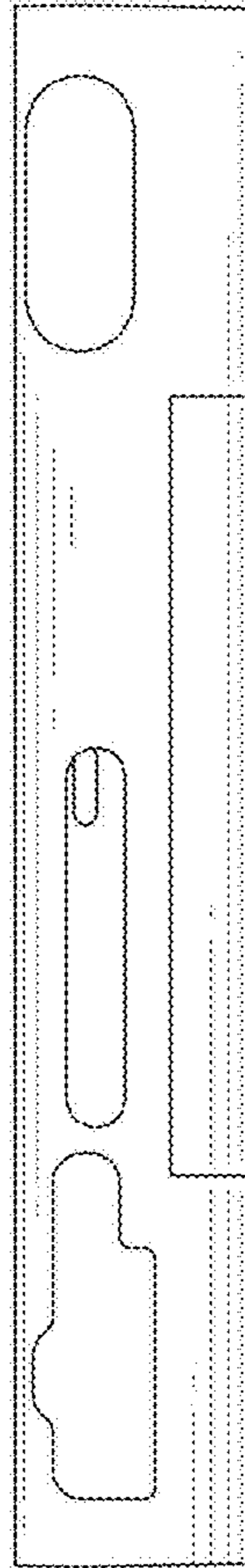


FIG.5

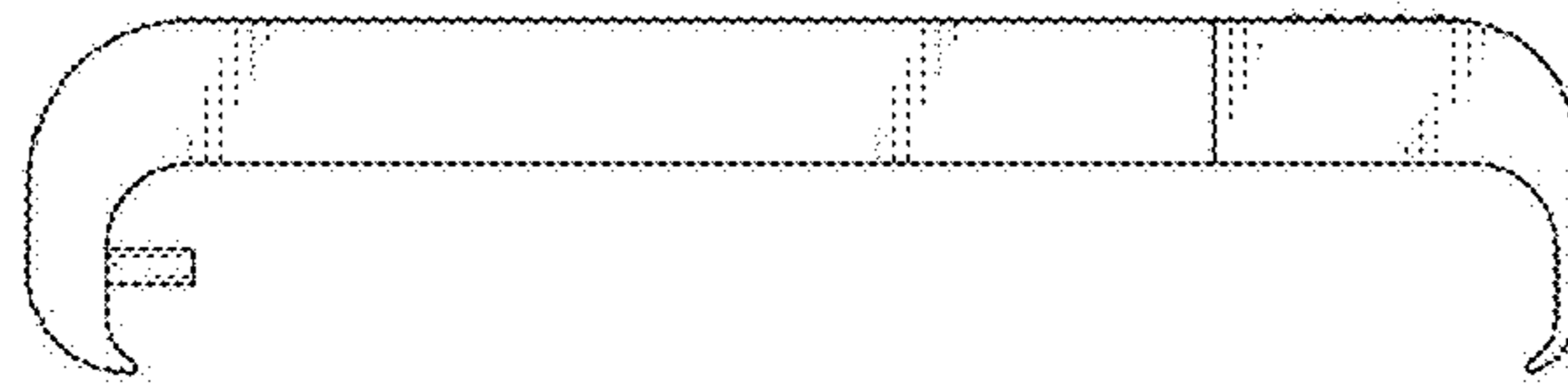


FIG.6

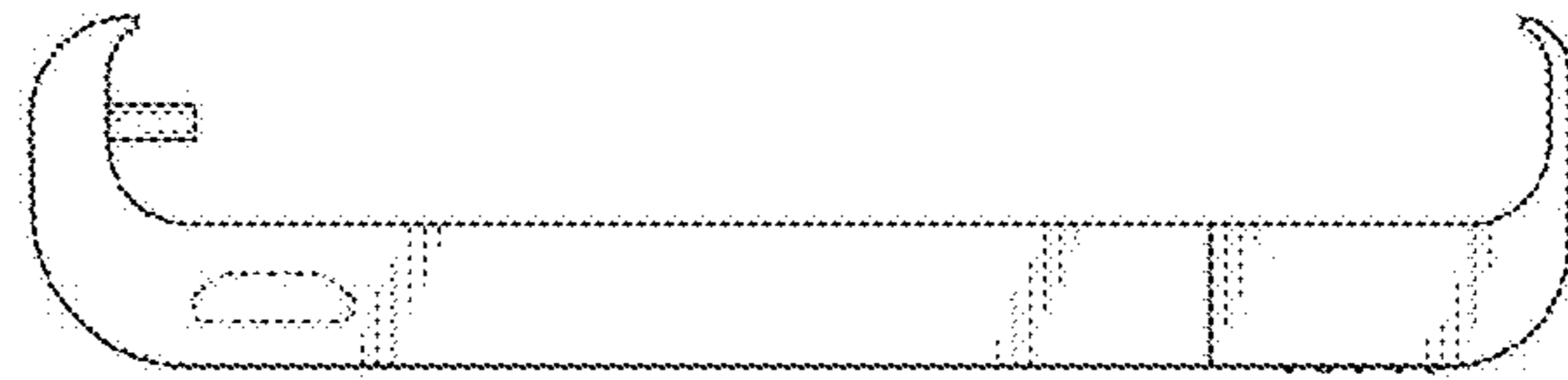


FIG. 7

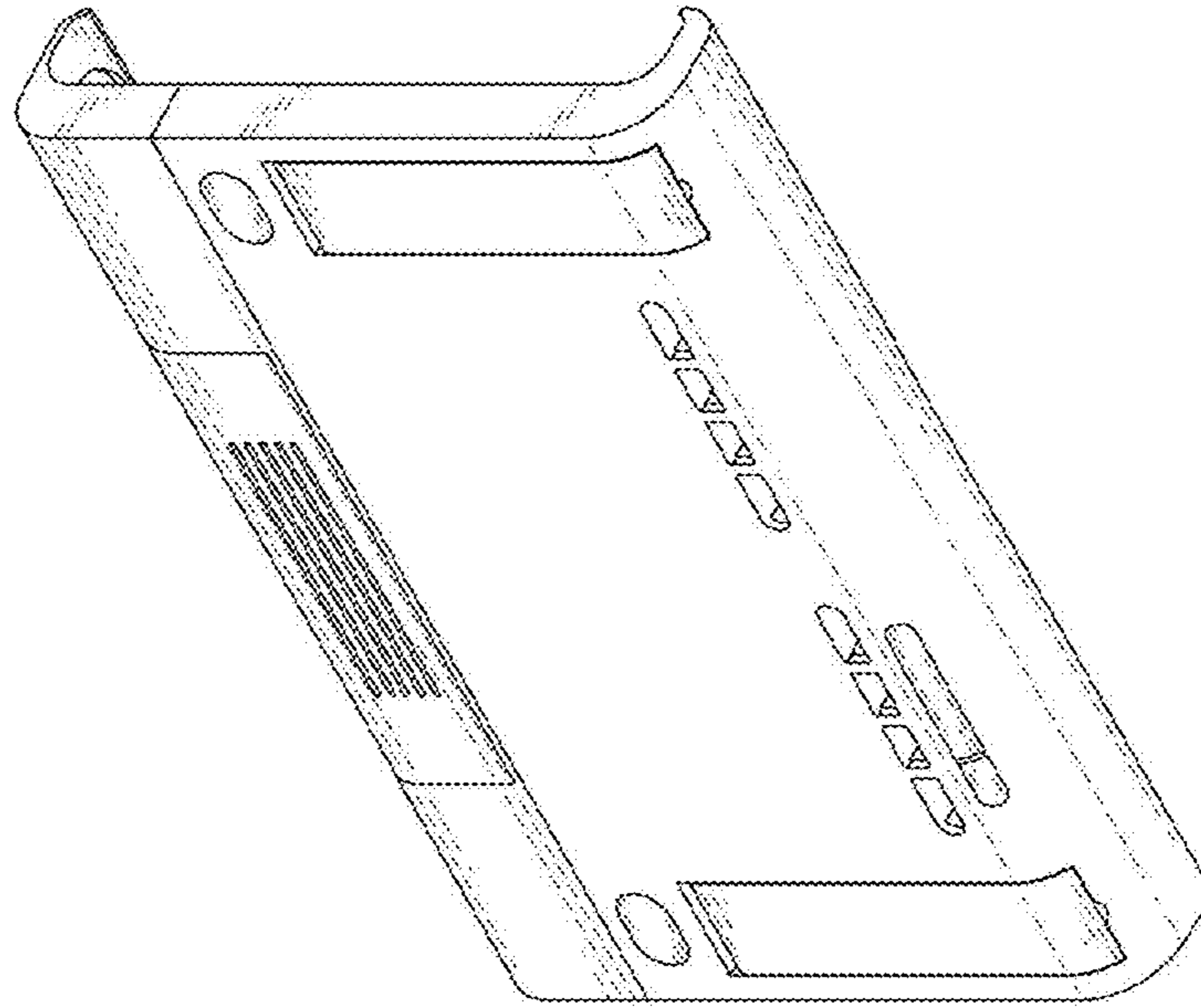


FIG.8

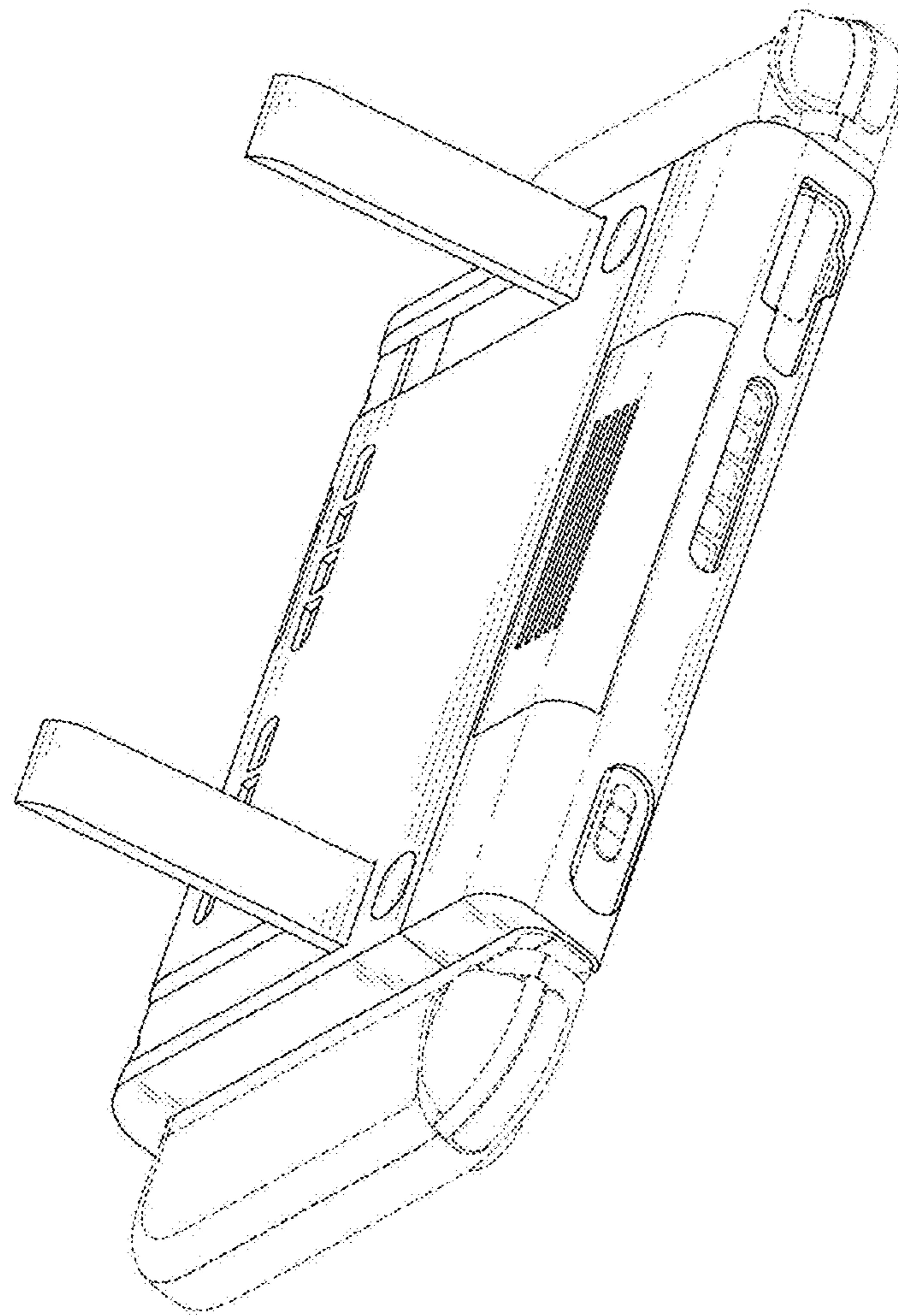


FIG.9