



US00D843932S

(12) **United States Design Patent**
Sinai et al.

(10) **Patent No.:** **US D843,932 S**
(45) **Date of Patent:** **** Mar. 26, 2019**

(54) **SOLAR PANEL MOUNTING BRACKET**

(71) Applicant: **Orion Solar Racking, Inc.**, Commerce, CA (US)

(72) Inventors: **Bob Sinai**, Pacific Palisades, CA (US);
Cael Schwartzman, Long Beach, CA (US); **Ahmet Akman**, Beverly Hills, CA (US)

(73) Assignee: **Orion Solar Racking, Inc.**, Commerce, CA (US)

(**) Term: **15 Years**

(21) Appl. No.: **29/577,411**

(22) Filed: **Sep. 13, 2016**

(51) **LOC (11) Cl.** **13-02**

(52) **U.S. Cl.**
USPC **D13/102**

(58) **Field of Classification Search**
USPC D13/102, 118, 184, 199; D8/355, 356, D8/354; D25/119, 123, 124, 125
CPC F24J 2/46; F24J 2/526; F24J 2/5207; F24J 2/5211; F24J 2/5245; F24J 2/5258; Y02E 10/47; Y02B 10/20
See application file for complete search history.

(56) **References Cited**

U.S. PATENT DOCUMENTS

D547,262 S * 7/2007 Ullman D13/102
D651,969 S * 1/2012 Turk D13/102

D663,608 S * 7/2012 Ruperto D8/354
8,595,996 B2 * 12/2013 Korman H02S 20/00
52/173.3
D708,126 S * 7/2014 Cai D13/102
D710,792 S * 8/2014 Cai D13/102
2006/0005875 A1 * 1/2006 Haberlein B65D 57/00
136/251

* cited by examiner

Primary Examiner — Derrick E Holland

(74) *Attorney, Agent, or Firm* — Damian Wasserbauer, Esq.; Wasserbauer Law LLC

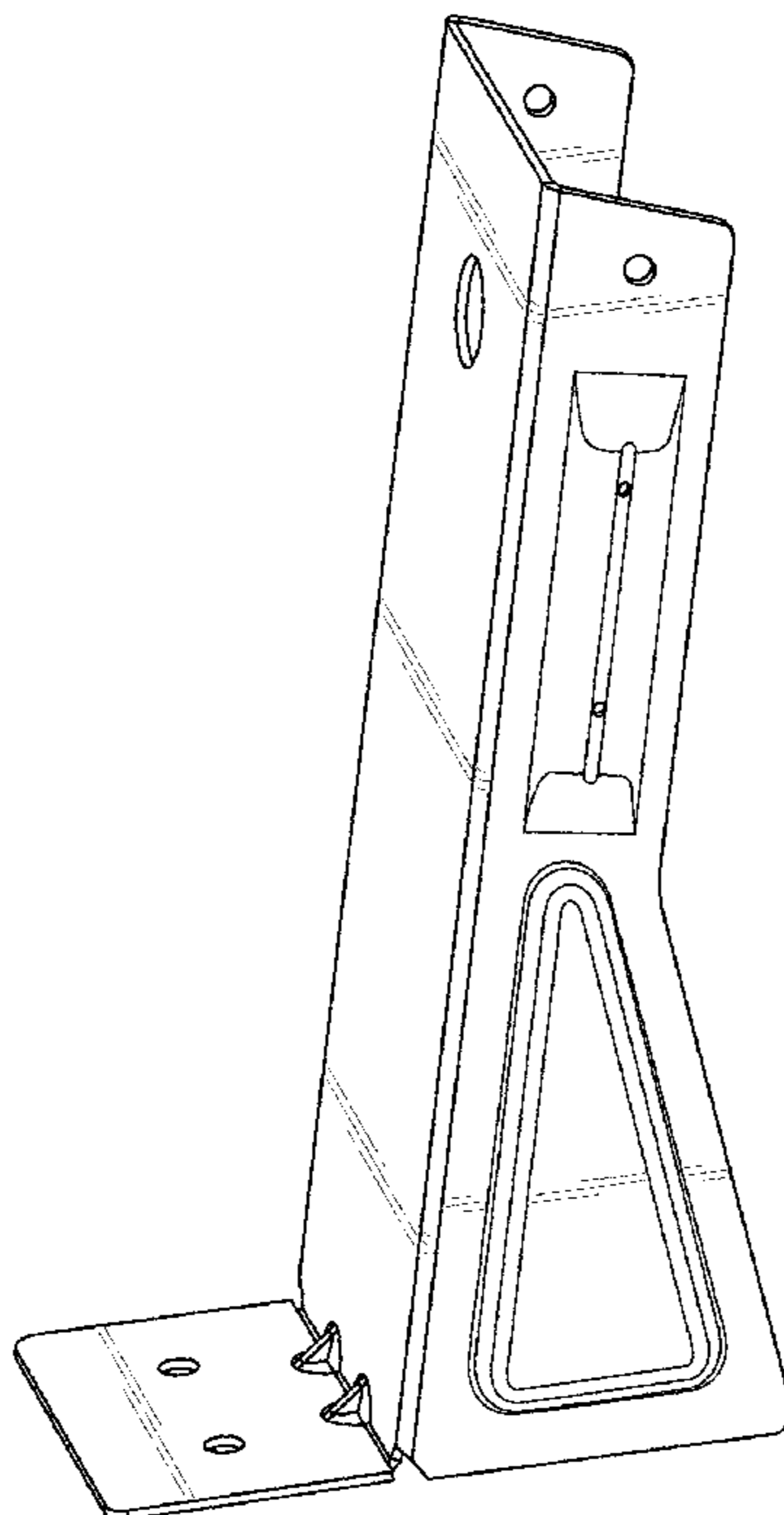
(57) **CLAIM**

The ornamental design for a solar panel mounting bracket, as shown and described.

DESCRIPTION

FIG. 1 is a perspective view of a solar panel mounting bracket showing our new design;
FIG. 2 is a front view thereof;
FIG. 3 is a back view thereof;
FIG. 4 is a side view illustrating the solar panel mounting bracket of the present invention, the other side is identical or a mirror image;
FIG. 5 is a top view thereof;
FIG. 6 is a bottom view thereof; and,
FIG. 7 is a perspective view thereof, shown in environmental use.
The broken lines shown representing portions of the solar panel mounting bracket that forms no part of the claimed design.

1 Claim, 7 Drawing Sheets



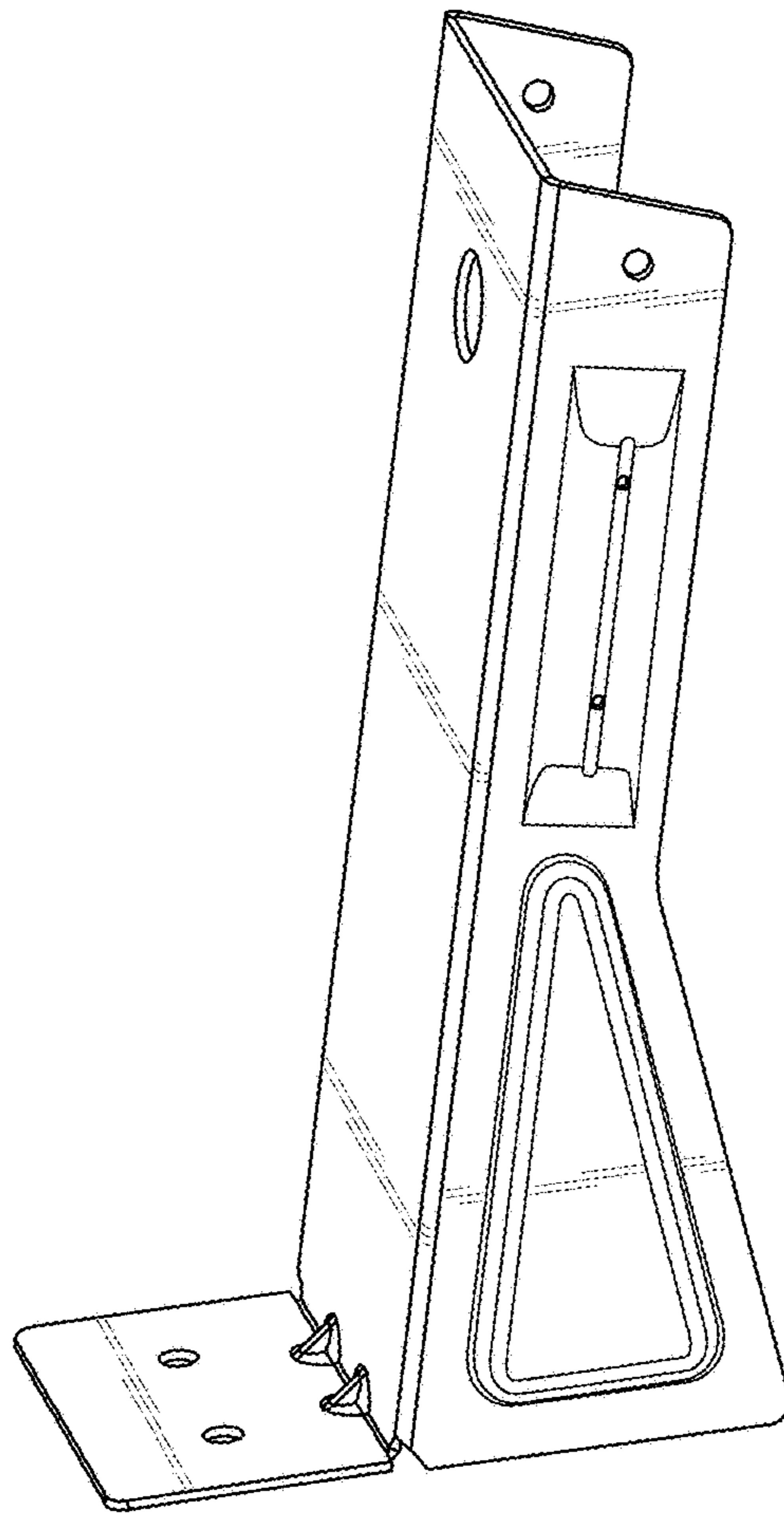


FIG. 1

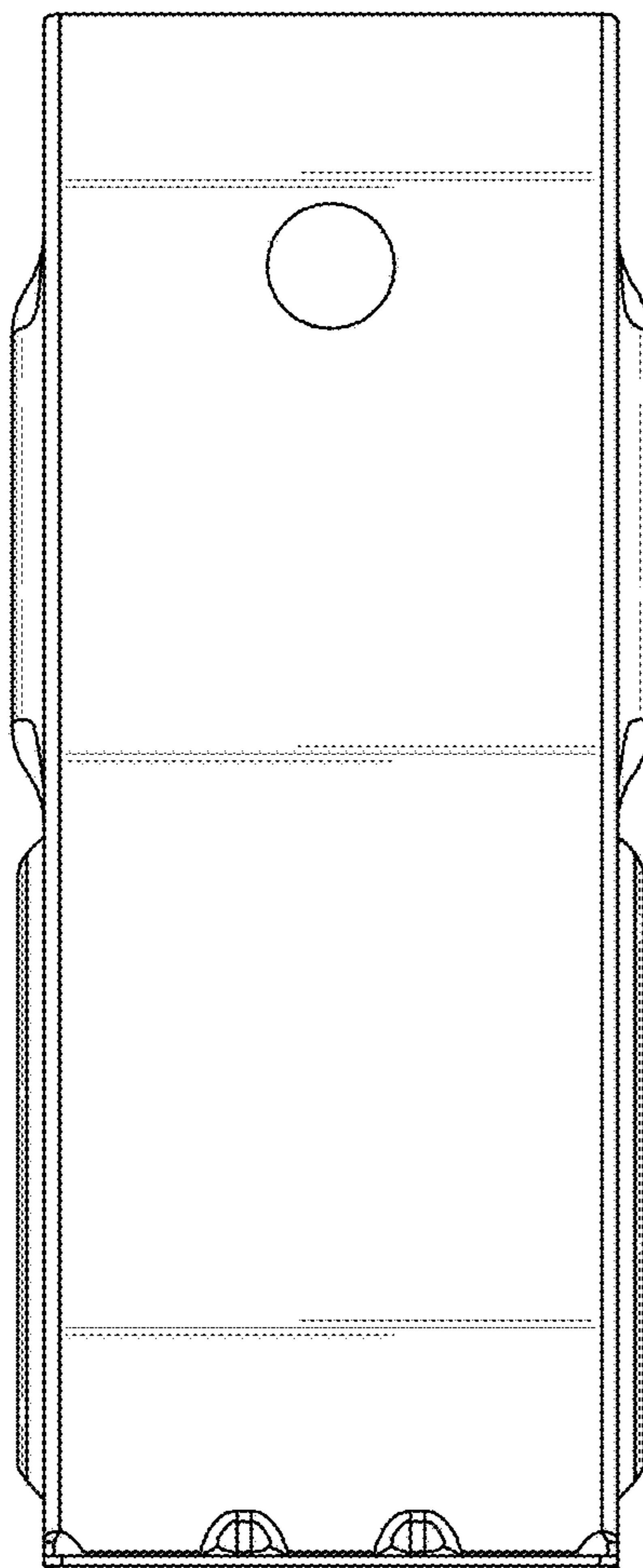


FIG. 2

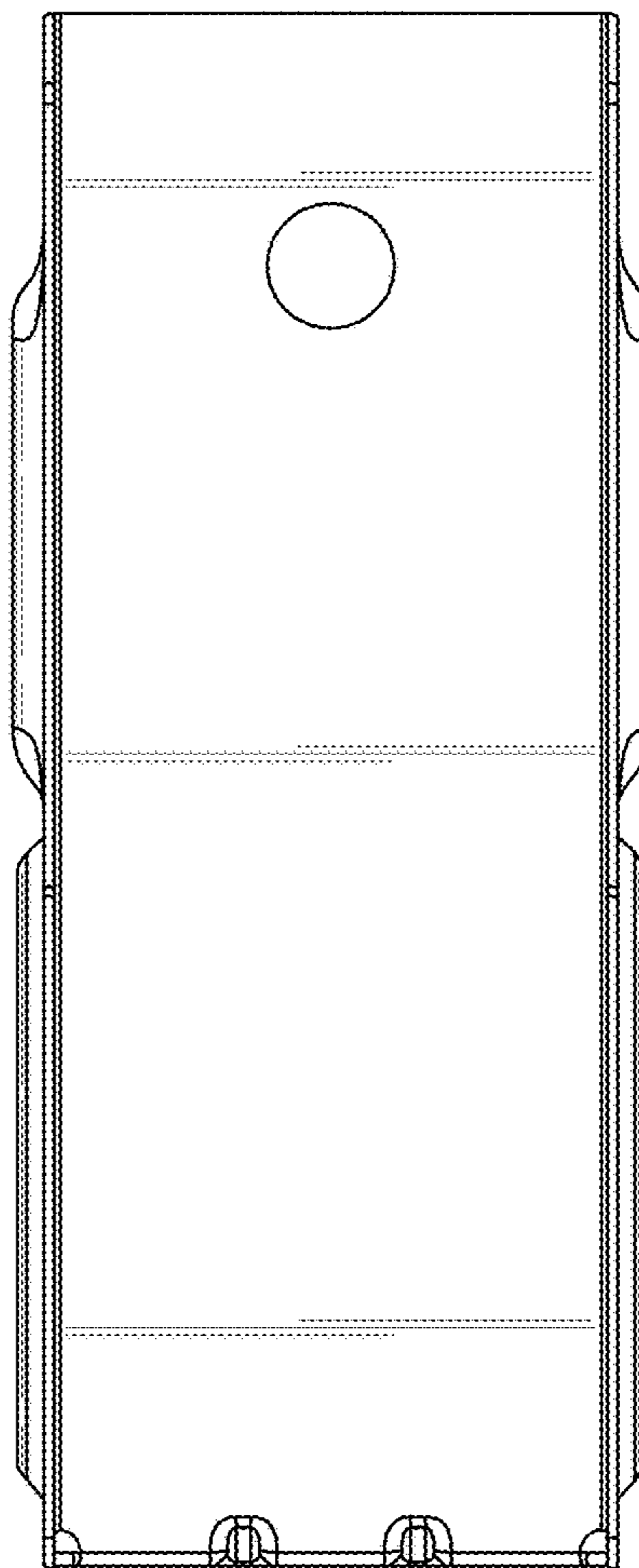


FIG. 3

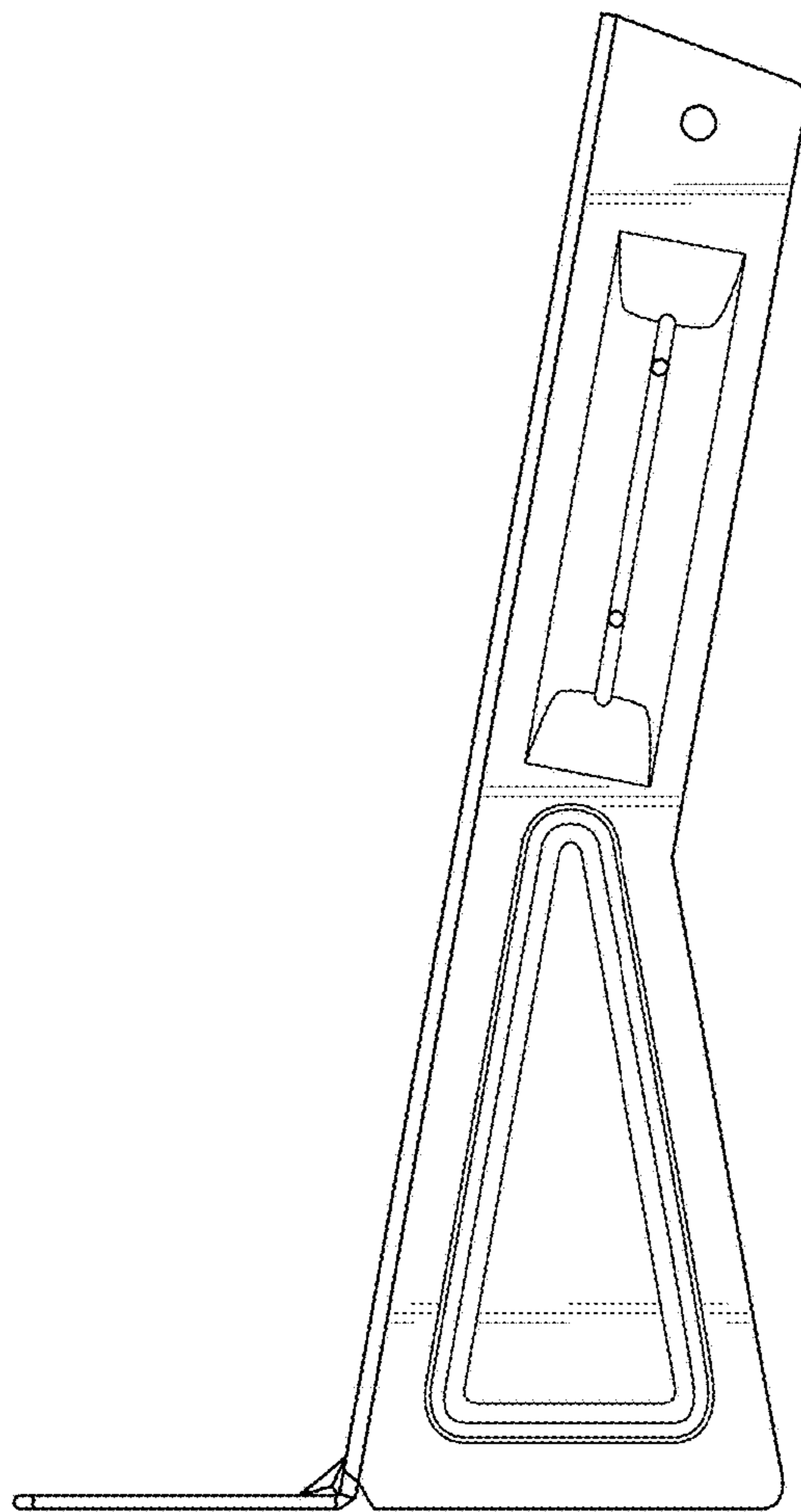


FIG. 4

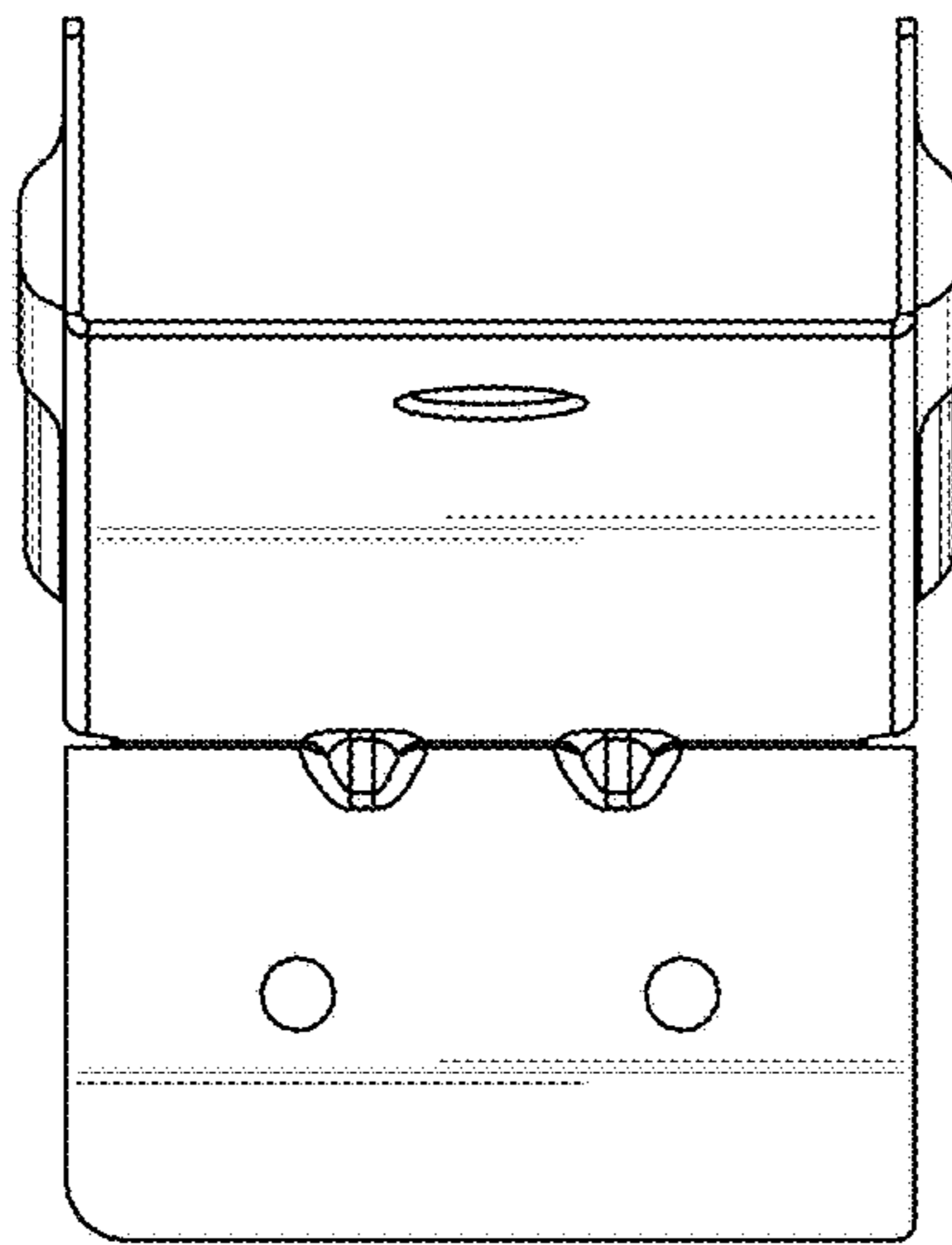


FIG. 5

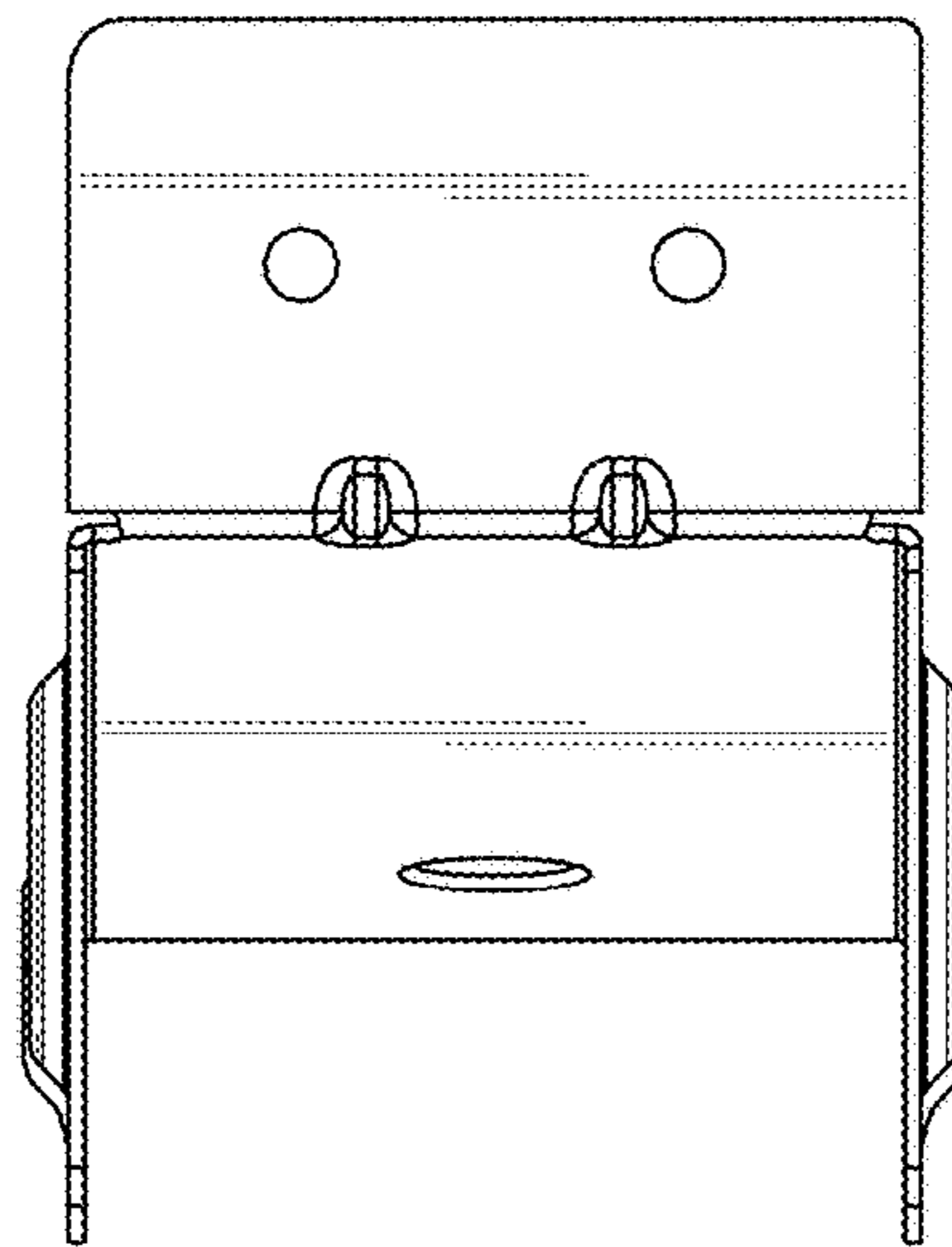


FIG. 6

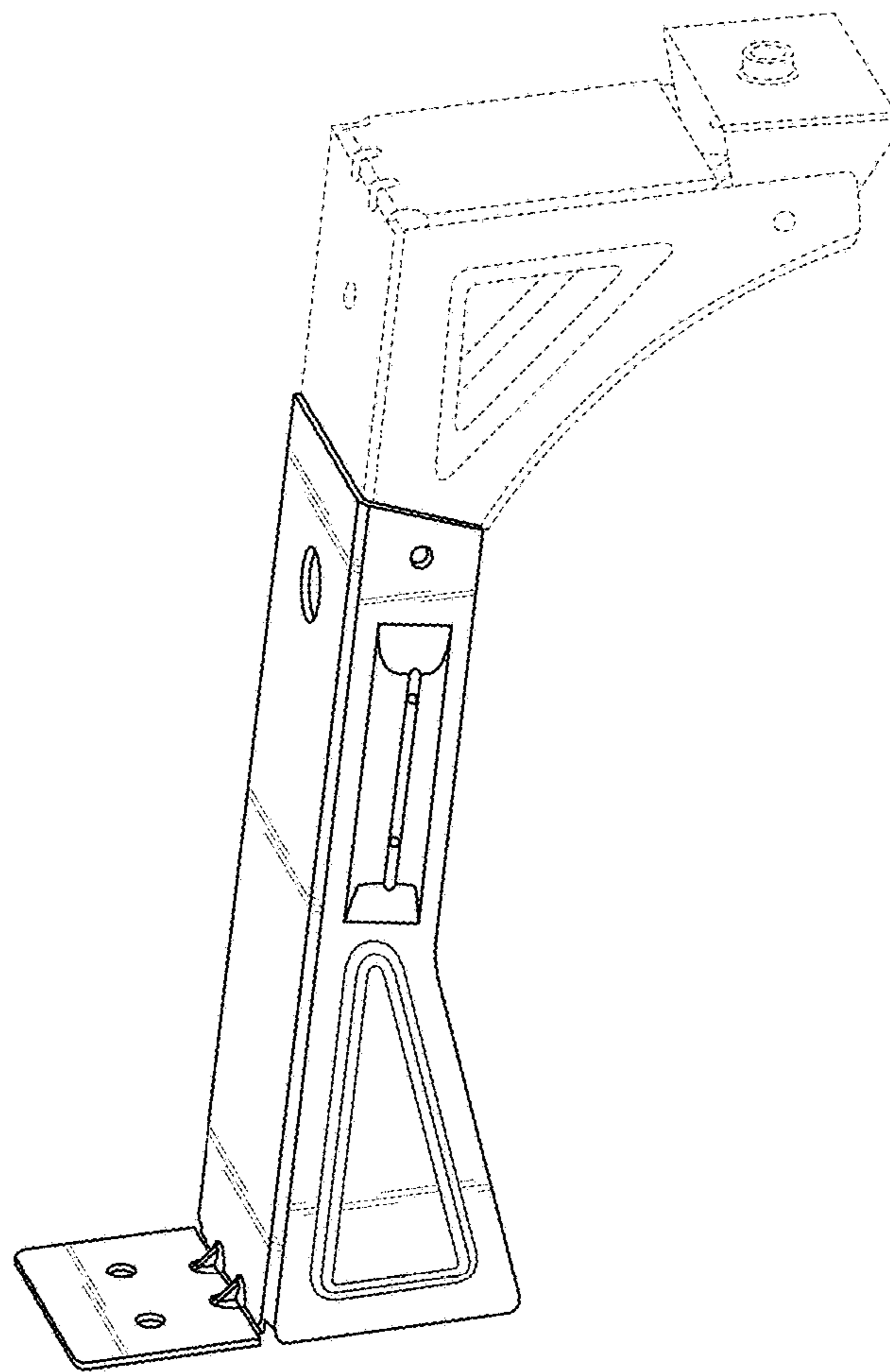


FIG. 7