



US00D843931S

(12) **United States Design Patent**
Pausilli

(10) **Patent No.:** **US D843,931 S**

(45) **Date of Patent:** **** Mar. 26, 2019**

(54) **TIRE SIDEWALL**

CPC B60C 13/00; B60C 1/00
See application file for complete search history.

(71) Applicant: **BRIDGESTONE EUROPE NV/SA,**
Zaventem (BE)

(56) **References Cited**

(72) Inventor: **Francesca Pausilli,** Rome (IT)

U.S. PATENT DOCUMENTS

(73) Assignee: **Bridgestone Europe NV/SA,** Zaventem
(BE)

D647,474 S *	10/2011	Takahashi	D12/605
D710,297 S *	8/2014	Itoi	D12/605
D773,987 S *	12/2016	Ishikawa	D12/605
D773,988 S *	12/2016	Itoi	D12/605
D791,068 S *	7/2017	Ishikawa	D12/605
D792,337 S *	7/2017	Ishikawa	D12/605
D813,799 S *	3/2018	Maxwell	D12/605

(**) Term: **15 Years**

* cited by examiner

(21) Appl. No.: **35/504,126**

Primary Examiner — Michael A. Pratt

(22) Filed: **Oct. 19, 2017**

(80) **Hague Agreement Data**

(57) **CLAIM**

Int. Filing Date: **Oct. 19, 2017**

The ornamental design for a tire sidewall, as shown and described.

Int. Reg. No.: **DM/098743**

Int. Reg. Date: **Oct. 19, 2017**

Int. Reg. Pub. Date: **Dec. 15, 2017**

DESCRIPTION

(30) **Foreign Application Priority Data**

Apr. 28, 2017 (EM) 003878347

(51) **LOC (11) Cl.** **12-15**

(52) **U.S. Cl.**
USPC **D12/605**

(58) **Field of Classification Search**
USPC D12/604-605

2. Tire sidewalls

2.1: Perspective

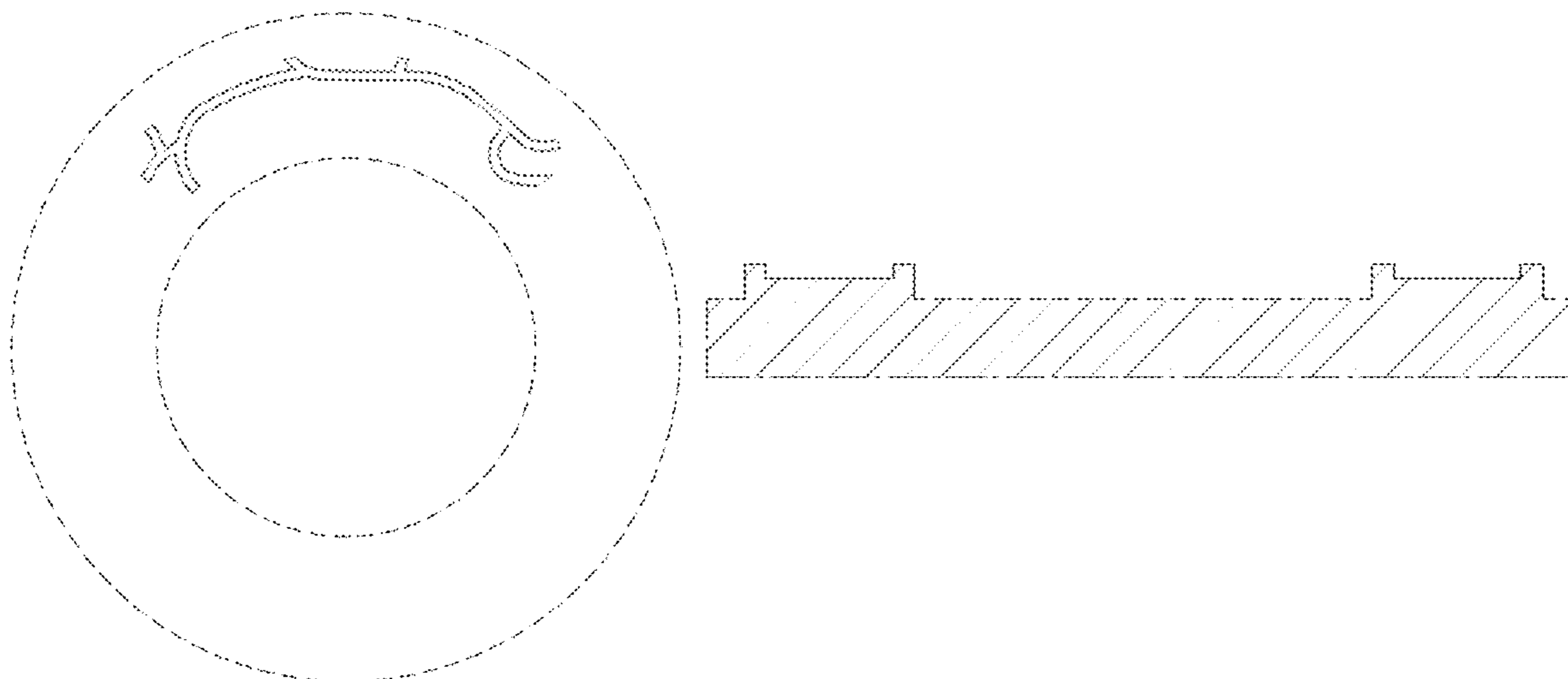
2.2: Front

2.3: Enlarged

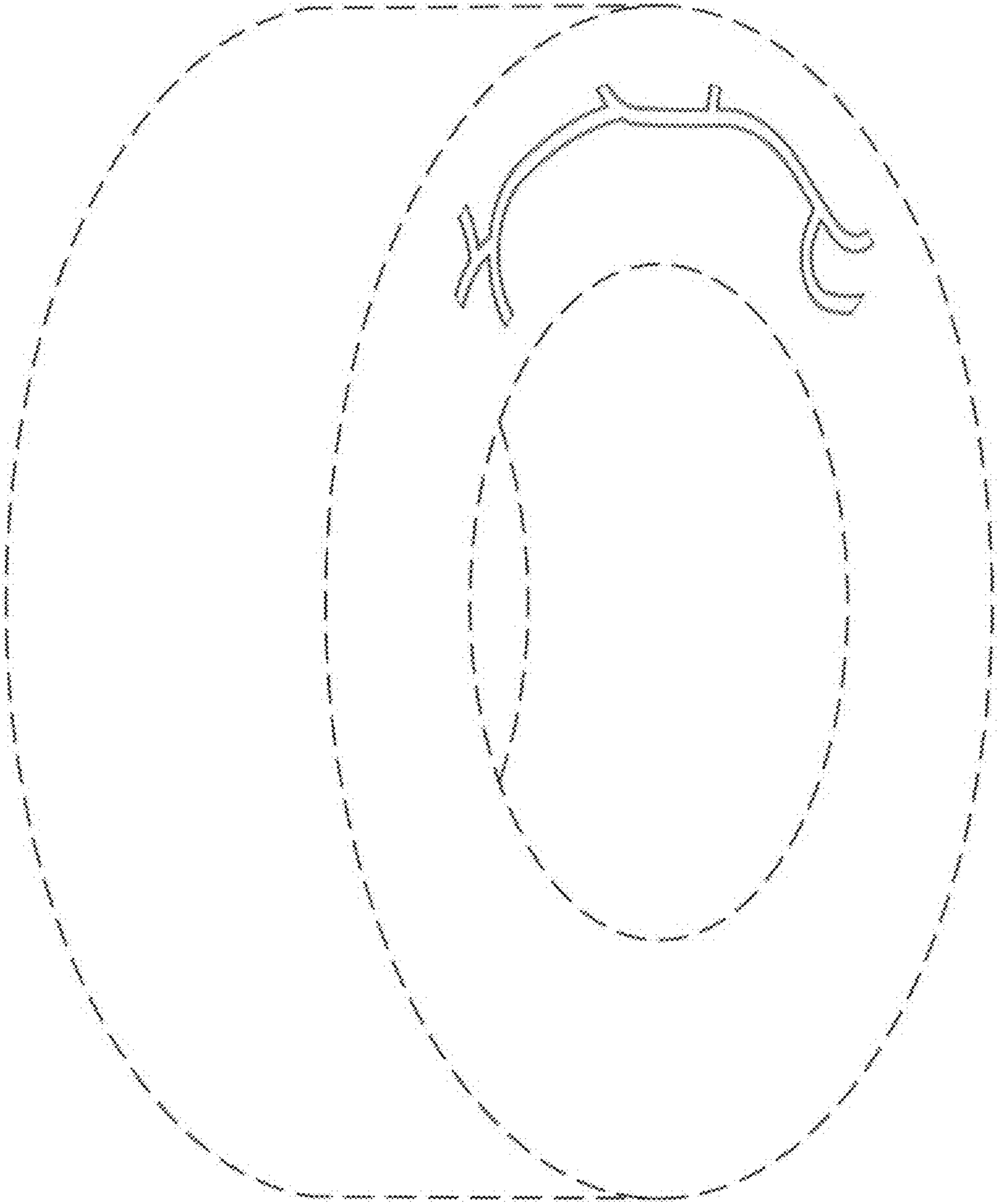
2.4: Cross-sectional

2.1: perspective views; 2.2: front views; 2.3: an enlarged view of a sidewall portion; 2.4: a transversal section view of the sidewall portion.

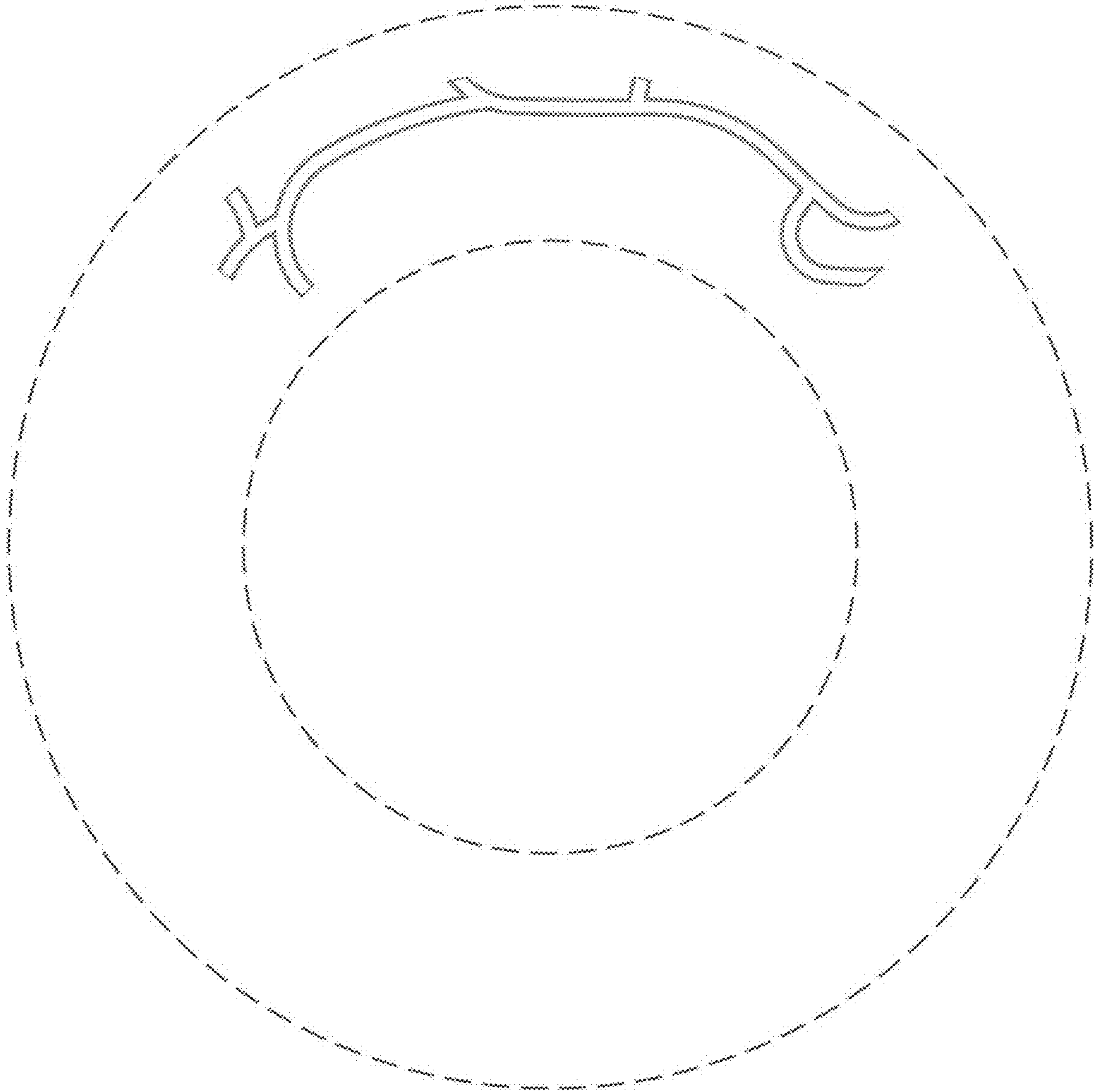
1 Claim, 4 Drawing Sheets



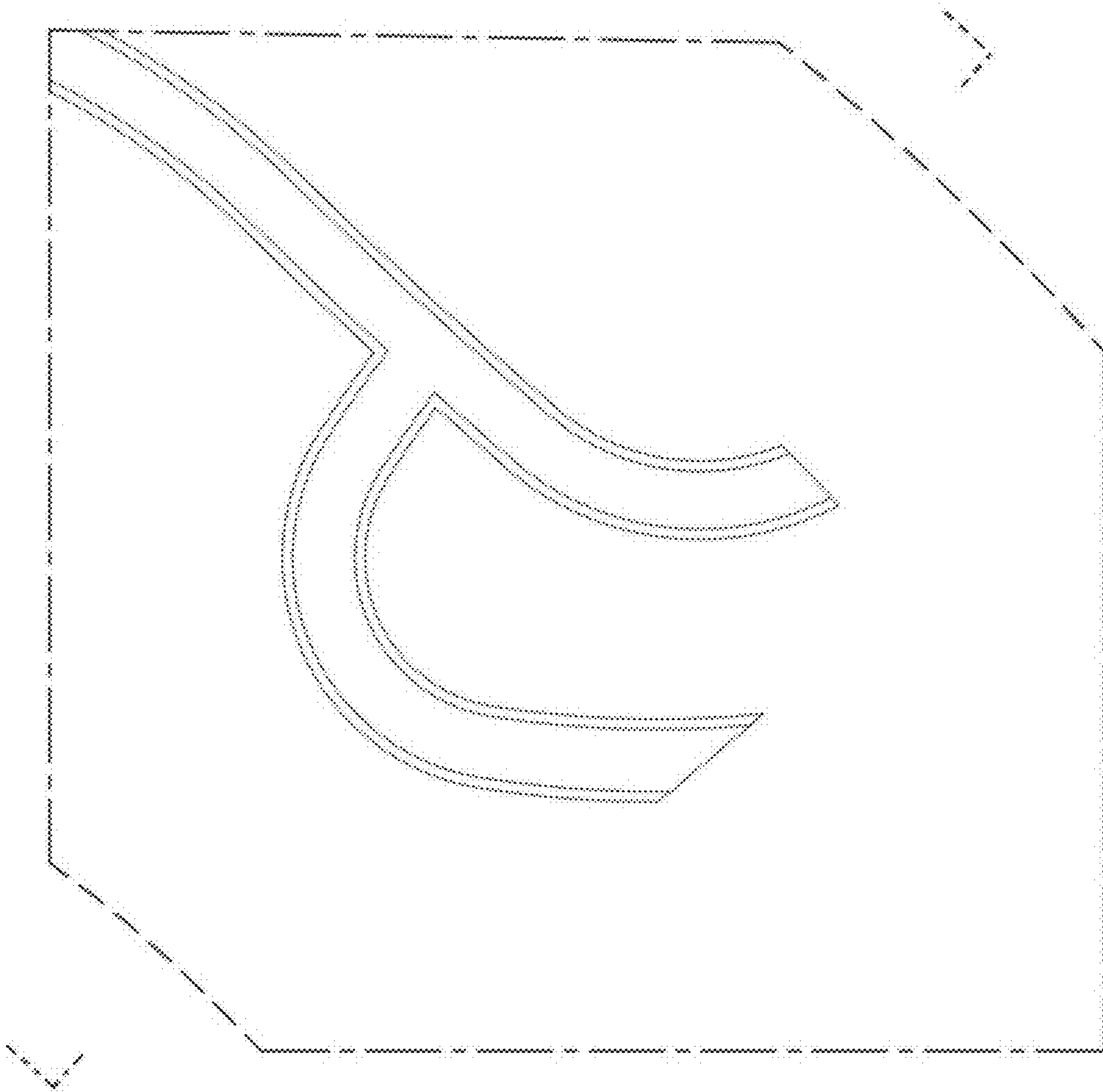
2.1



2.2



2.3



2.4

