

US00D843930S

(12) **United States Design Patent**
Itoi

(10) **Patent No.:** **US D843,930 S**
(45) **Date of Patent:** **** Mar. 26, 2019**

(54) **TIRE SIDEWALL**

FOREIGN PATENT DOCUMENTS

(71) Applicant: **BRIDGESTONE CORPORATION**,
Tokyo (JP)

JP D1478334 S 9/2013

(72) Inventor: **Dyta Itoi**, Tokyo (JP)

OTHER PUBLICATIONS

(73) Assignee: **BRIDGESTONE CORPORATION**,
Chuo-ku, Tokyo (JP)

Design Gazette from the Japanese Patent Office published for the counterpart Japanese design application (2017-5651), dated Oct. 9, 2018.

(**) Term: **15 Years**

Primary Examiner — Robin V Webster
Assistant Examiner — Rachel A Voorhies

(21) Appl. No.: **29/618,226**

(74) *Attorney, Agent, or Firm* — Sughrue Mion, PLLC

(22) Filed: **Sep. 20, 2017**

(30) **Foreign Application Priority Data**

(57) **CLAIM**

Mar. 21, 2017 (JP) 2017-005651

The ornamental design for a tire sidewall, as shown and described.

(51) **LOC (11) Cl.** **12-16**

(52) **U.S. Cl.**
USPC **D12/605**

(58) **Field of Classification Search**
USPC D12/605, 500-501, 506, 434-538,
D12/569-573, 604, 900, 202, 502-505,
D12/507-533, 539-568, 574-603;
D5/30; D7/396.4, 396.5
CPC B60C 13/00; B60C 1/00
See application file for complete search history.

DESCRIPTION

(56) **References Cited**

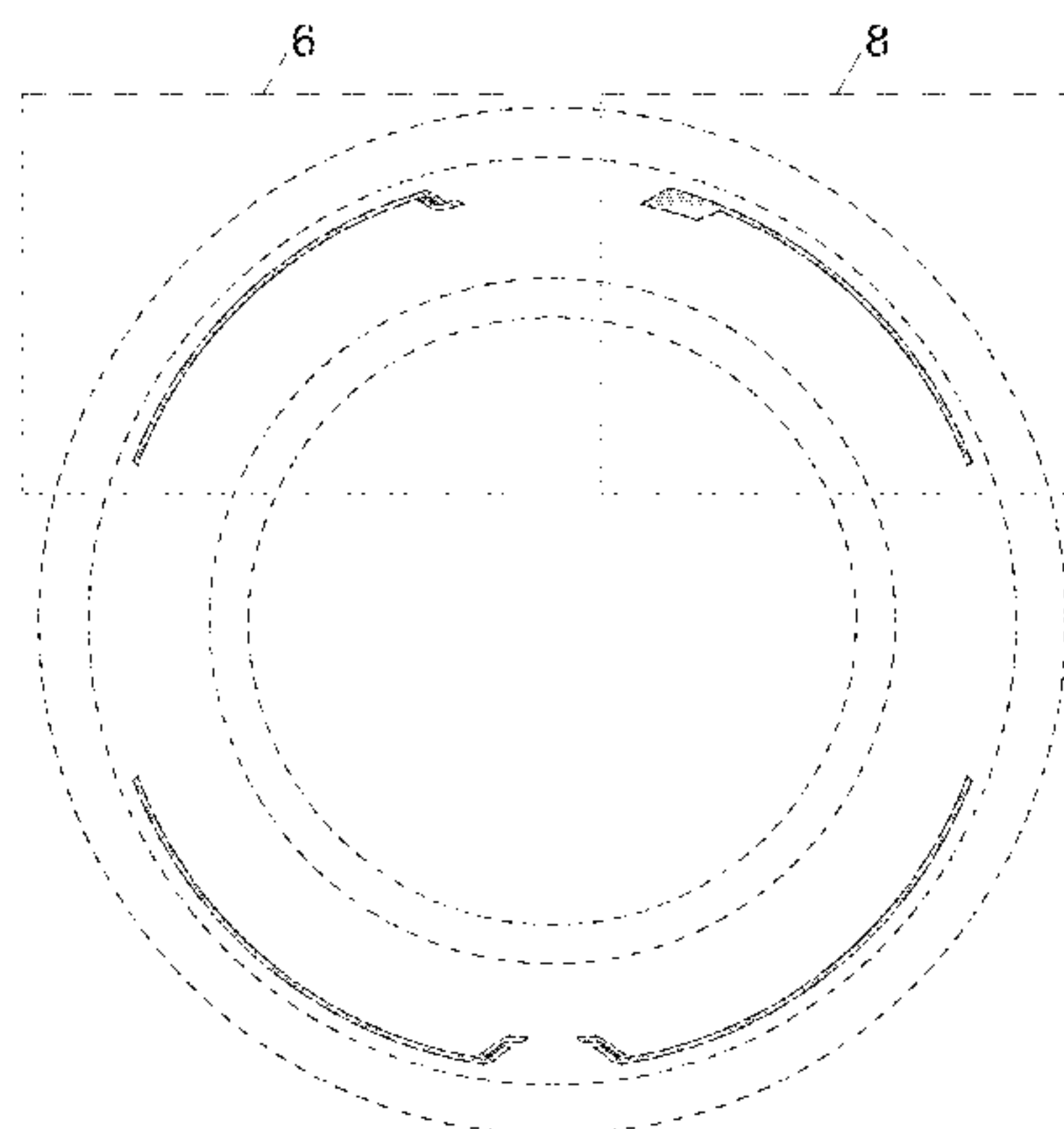
U.S. PATENT DOCUMENTS

D569,337 S *	5/2008	Iwabuchi	D12/605
D585,017 S *	1/2009	Shondel	D12/605
D693,761 S *	11/2013	Nakamura	D12/605
D708,121 S *	7/2014	Iwabuchi	D12/605
D711,816 S *	8/2014	Iwabuchi	D12/605
D732,468 S *	6/2015	Schoepner	D12/605
D735,123 S *	7/2015	Iwabuchi	D12/605
D735,124 S *	7/2015	Iwabuchi	D12/605
D750,555 S *	3/2016	Iwabuchi	D12/605
D769,806 S *	10/2016	Yasunaga	D12/605
D769,807 S *	10/2016	Ishikawa	D12/605
D773,985 S *	12/2016	Sakamoto	D12/605

FIG. 1 is a perspective view of a tire sidewall showing my design;
FIG. 2 is a front view thereof;
FIG. 3 is a top view thereof;
FIG. 4 is a right side view thereof;
FIG. 5 is a rear view thereof;
FIG. 6 is a fragmentary enlarged front view surrounded by line 6 in FIG. 2, showing the details of the tire sidewall thereof;
FIG. 7 is an enlarged section view taken along line 7-7 in FIG. 6,
FIG. 8 is a fragmentary enlarged front view surrounded by line 8 in FIG. 2, showing the details of the tire sidewall thereof; and,
FIG. 9 is an enlarged section view taken along line 9-9 in FIG. 8.
Broken lines are provided to show portions of the tire that are not being claimed, and thus form no part of the claimed design.

(Continued)

1 Claim, 9 Drawing Sheets



(56)

References Cited

U.S. PATENT DOCUMENTS

D773,986 S *	12/2016	Nakamura	D12/605
D777,656 S *	1/2017	Maxwell	D12/605
D791,067 S *	7/2017	Iwabuchi	D12/605
D792,336 S *	7/2017	Iwabuchi	D12/605
D792,843 S *	7/2017	Taniguchi	D12/605
D795,798 S *	8/2017	Kamada	D12/605
D807,284 S *	1/2018	Iwabuchi	D12/605
D808,333 S *	1/2018	Iwabuchi	D12/605
D814,395 S *	4/2018	Sano	D12/605

* cited by examiner

FIG. 1

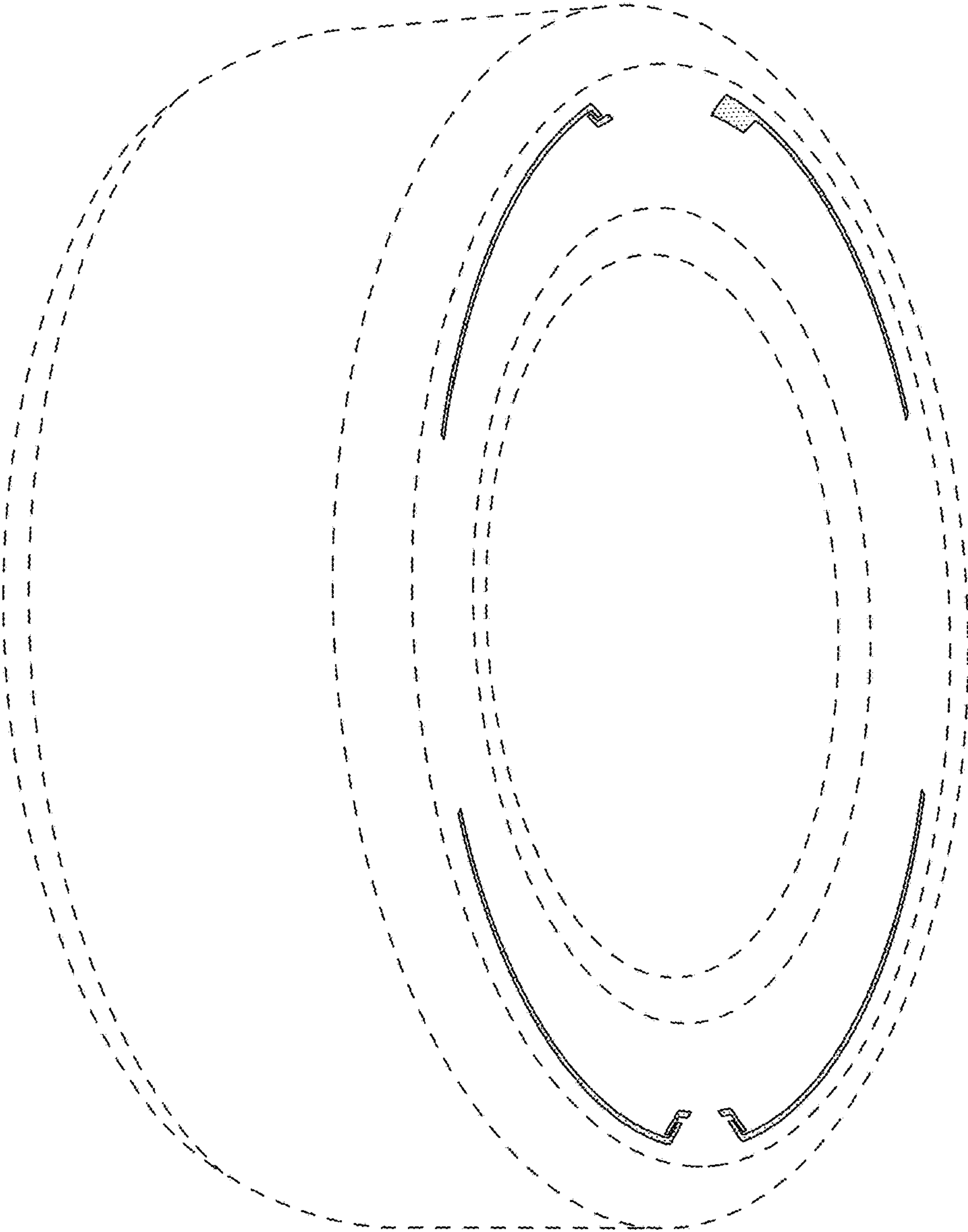


FIG. 2

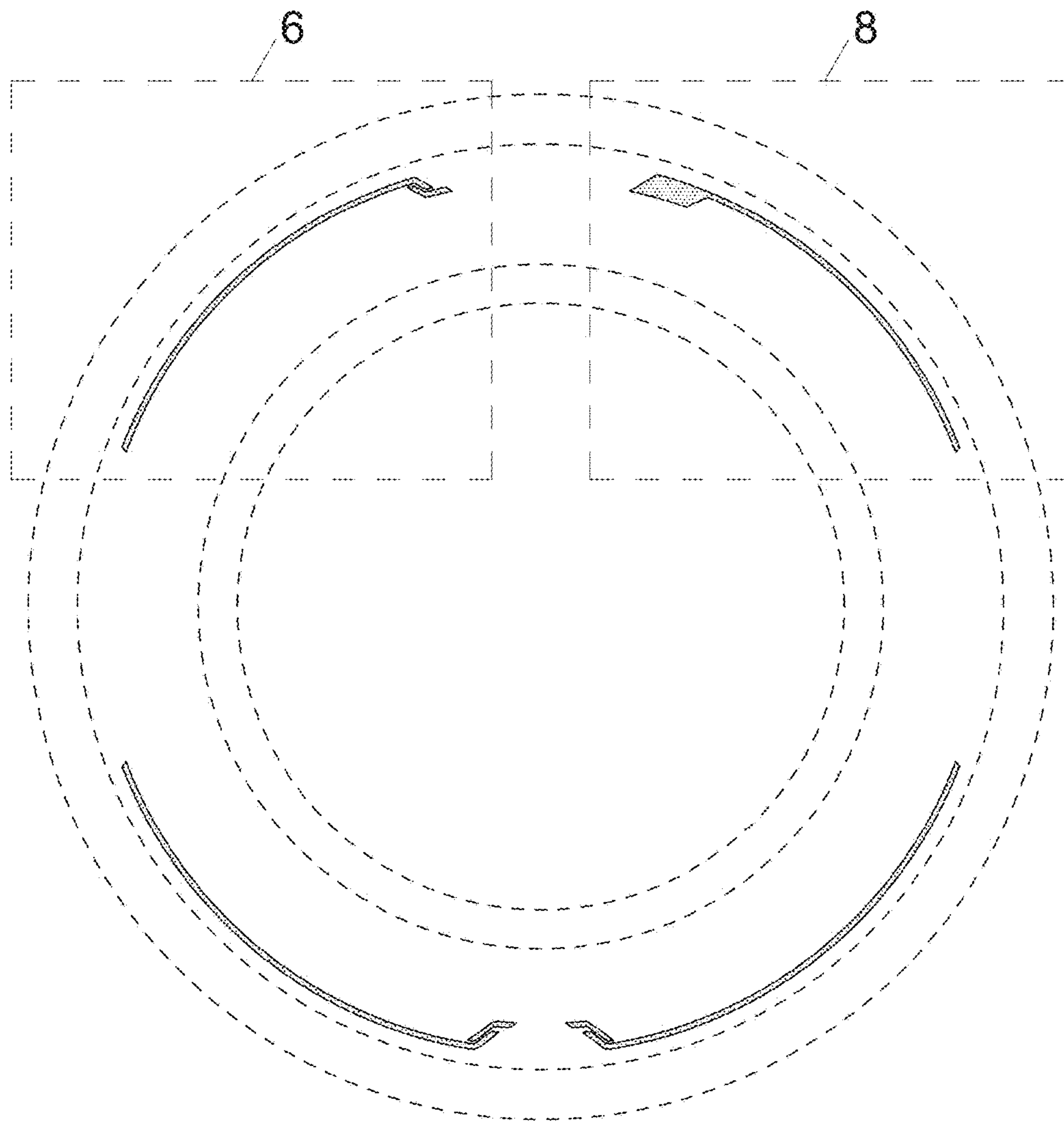


FIG. 3



FIG. 4

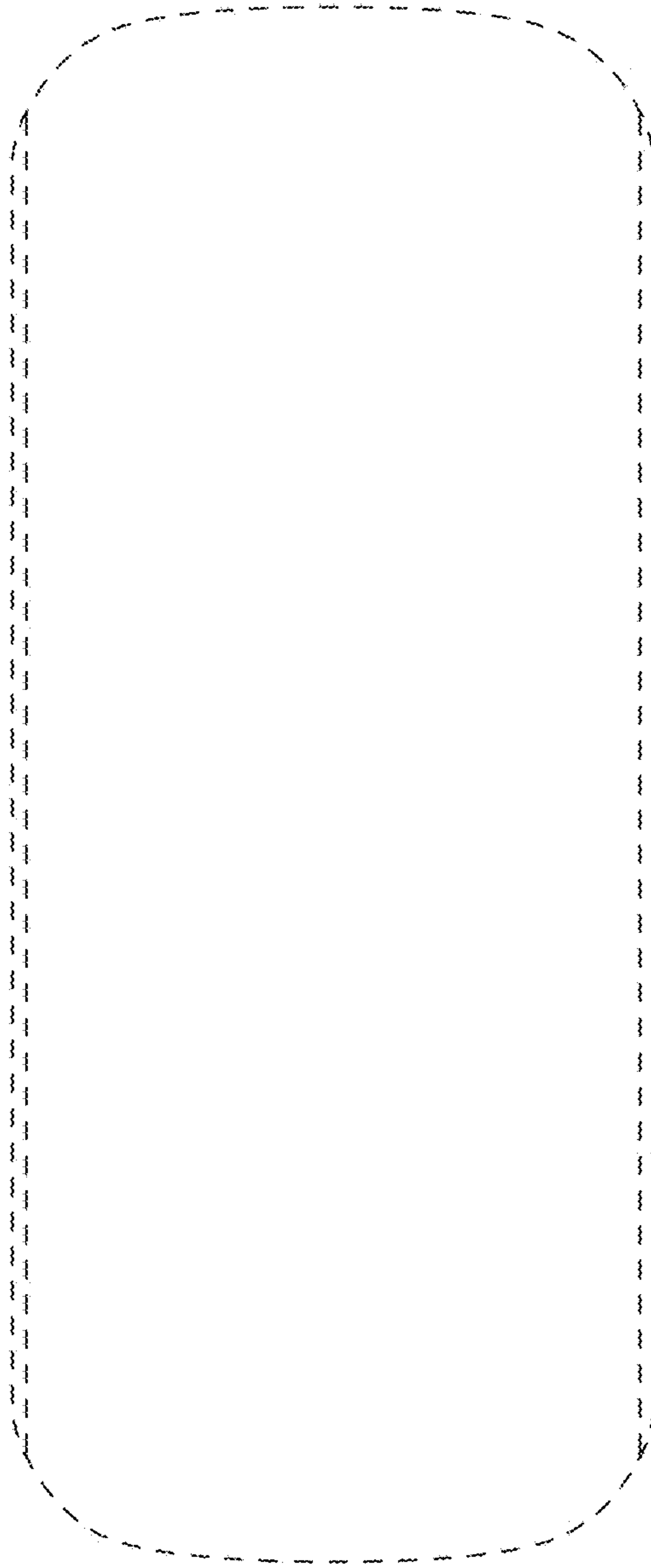


FIG. 5

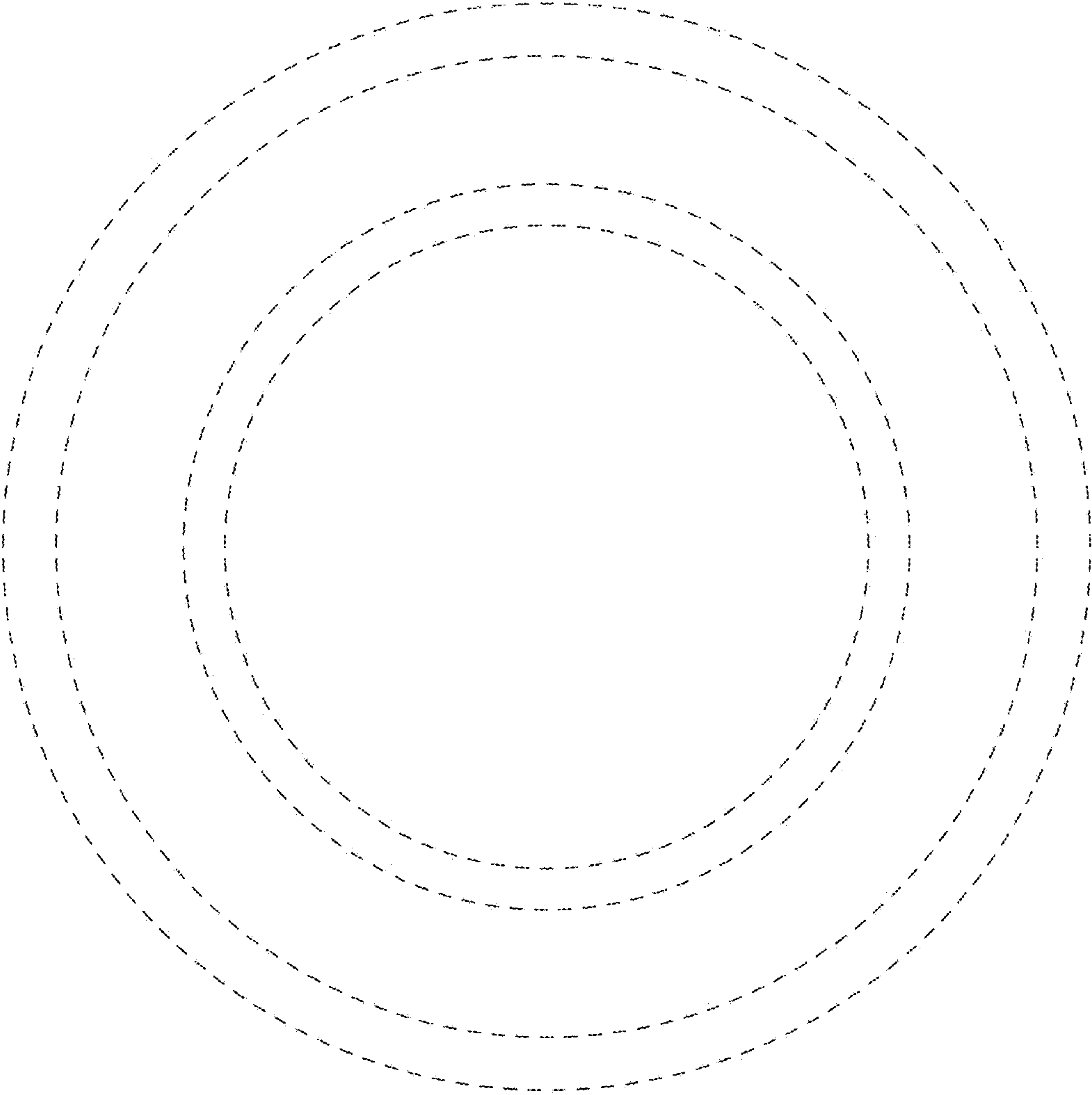


FIG. 6

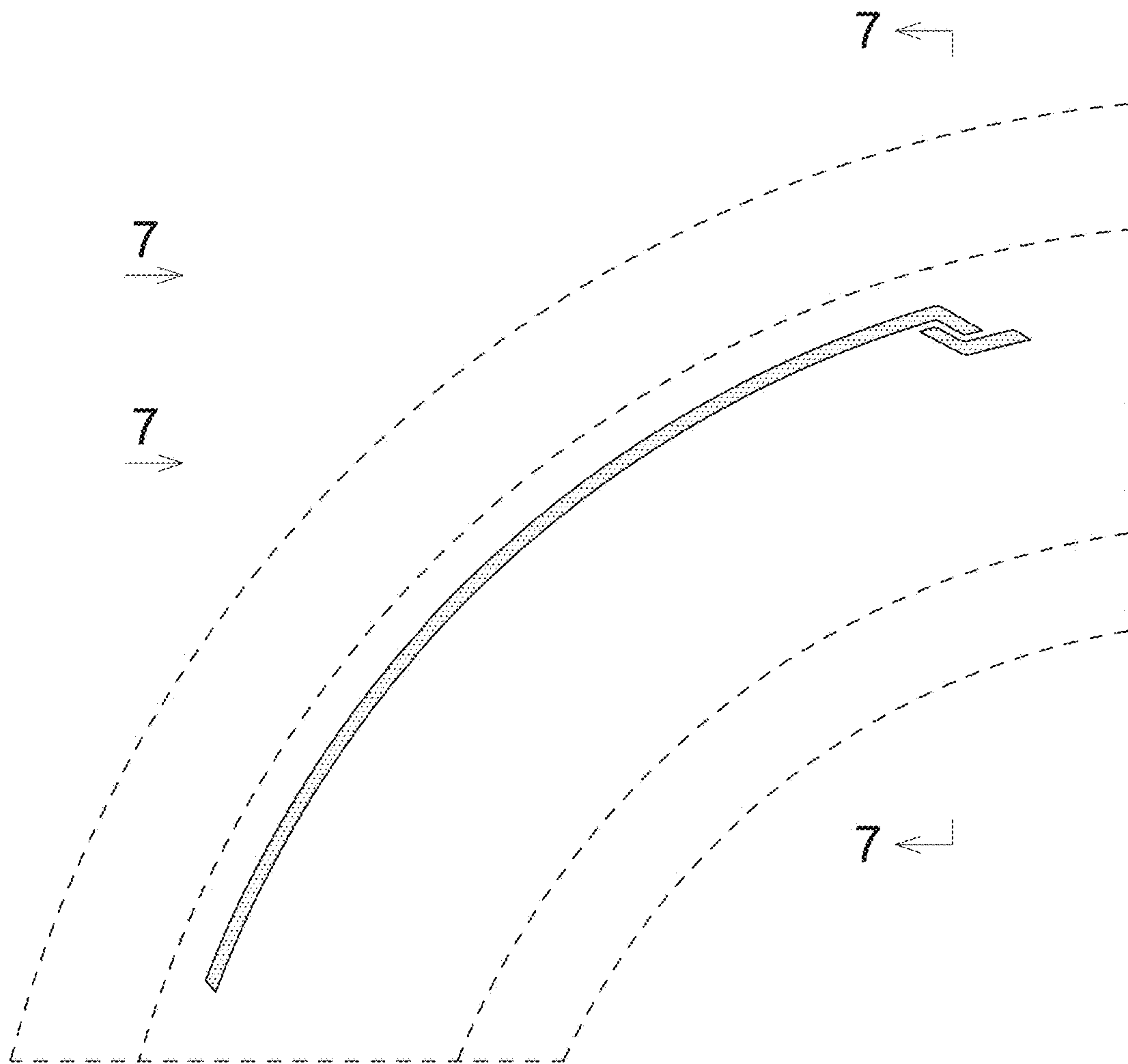


FIG. 7

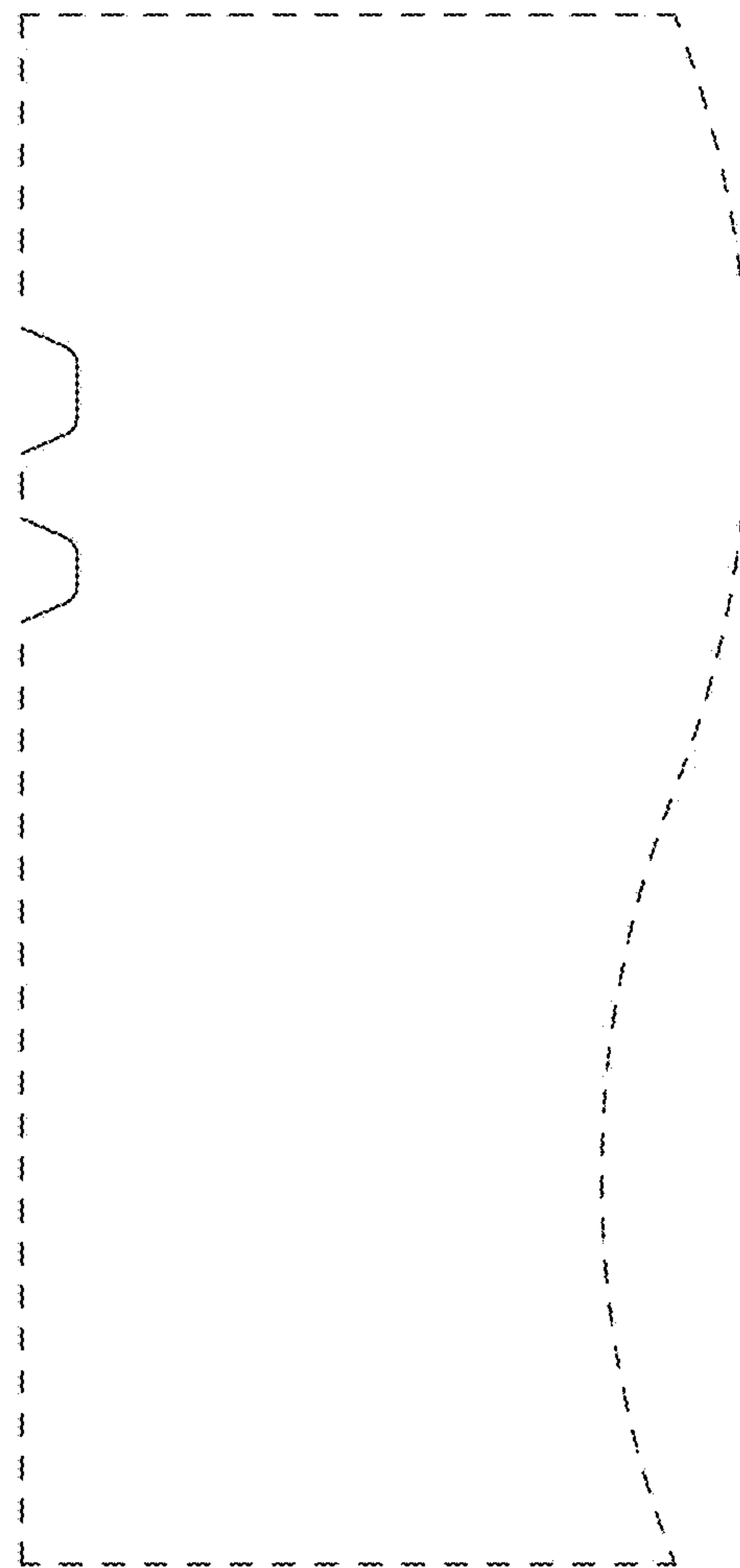


FIG. 8

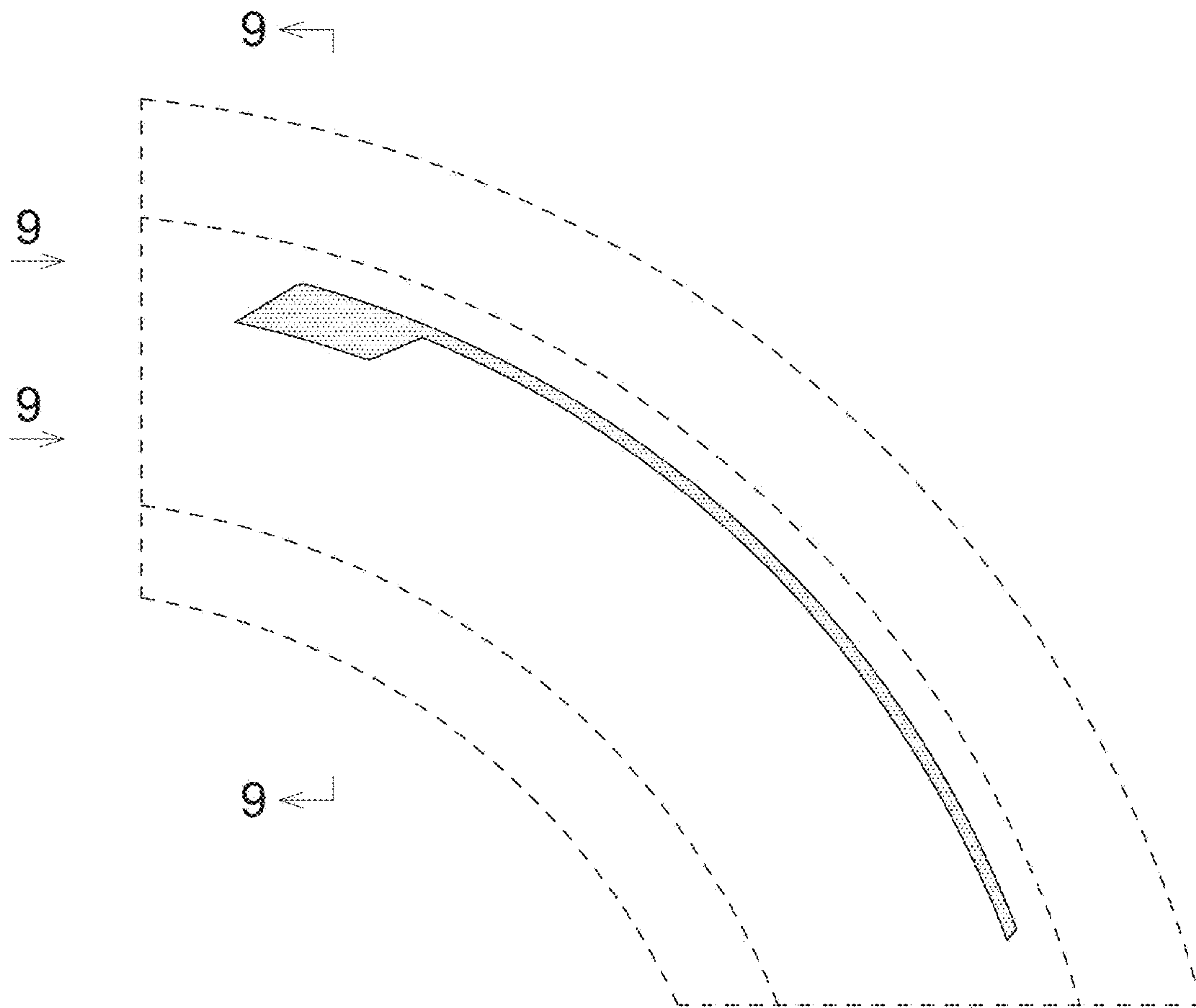


FIG. 9

