



US00D843924S

(12) **United States Design Patent**
Tomasson et al.

(10) **Patent No.:** **US D843,924 S**

(45) **Date of Patent:** **** Mar. 26, 2019**

(54) **DEPLOYABLE FOOTREST**

(71) Applicant: **Nio Nextev Limited**, Hong Kong (HK)

(72) Inventors: **Kris Tomasson**, Hong Kong (HK);
Jochen Paesen, Hong Kong (HK);
Julien Cueff, Hong Kong (HK)

(73) Assignee: **NIO NEXTEV LIMITED**, Hong Kong (HK)

(**) Term: **15 Years**

(21) Appl. No.: **29/615,867**

(22) Filed: **Aug. 31, 2017**

(30) **Foreign Application Priority Data**

Mar. 16, 2017 (CN) 2017 3 0077512

Mar. 16, 2017 (EM) 003802628

(51) **LOC (11) Cl.** **12-16**

(52) **U.S. Cl.**
USPC **D12/415**

(58) **Field of Classification Search**
USPC D12/415, 203, 400; 280/163; D6/76.6,
D6/718.3; 297/30, 68, 69-70, 76, 260.3;
296/75, 187.05, 187.08, 423.18, 423.25
CPC .. A47C 16/02; A47C 7/62; A47C 7/50; B60N
3/06; B62J 25/00
See application file for complete search history.

(56) **References Cited**

U.S. PATENT DOCUMENTS

D210,361 S * 3/1968 Clark D12/174

D350,450 S * 9/1994 Hassel D6/349

D408,336 S * 4/1999 Brotherston D12/133
D477,271 S * 7/2003 Weber D12/14
D536,290 S * 2/2007 Yeh D12/203
D743,725 S * 11/2015 Lee D6/715
D818,752 S * 5/2018 Lee D6/715
D823,172 S * 7/2018 McFarland D12/114

* cited by examiner

Primary Examiner — Abraham Bahta

(74) *Attorney, Agent, or Firm* — Hogan Lovells US LLP

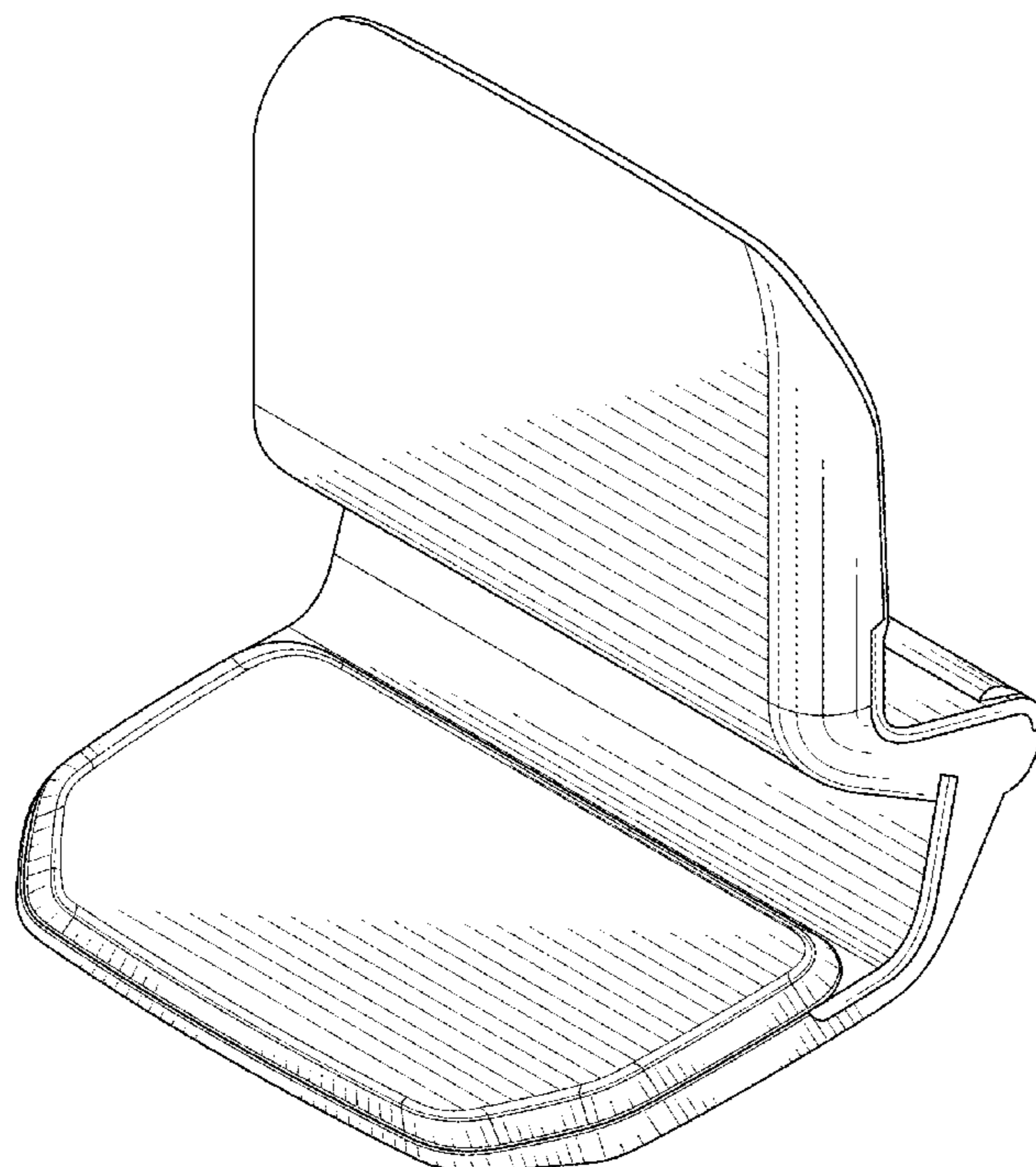
(57) **CLAIM**

The ornamental design for a deployable footrest, as shown and described.

DESCRIPTION

FIG. 1 is a perspective view of the deployable footrest showing our new design;
FIG. 2 is a top view thereof;
FIG. 3 is a right side view thereof;
FIG. 4 is a left side view thereof;
FIG. 5 is a back view thereof;
FIG. 6 is a front view thereof; and
FIG. 7 is a bottom view thereof;
FIG. 8 is another perspective view thereof; and,
FIG. 9 is yet another perspective view thereof.
The broken lines showing portions of a vehicle where the deployable footrest is located are for the purpose of illustrating the environmental structure and form no part of the claimed design.

1 Claim, 9 Drawing Sheets



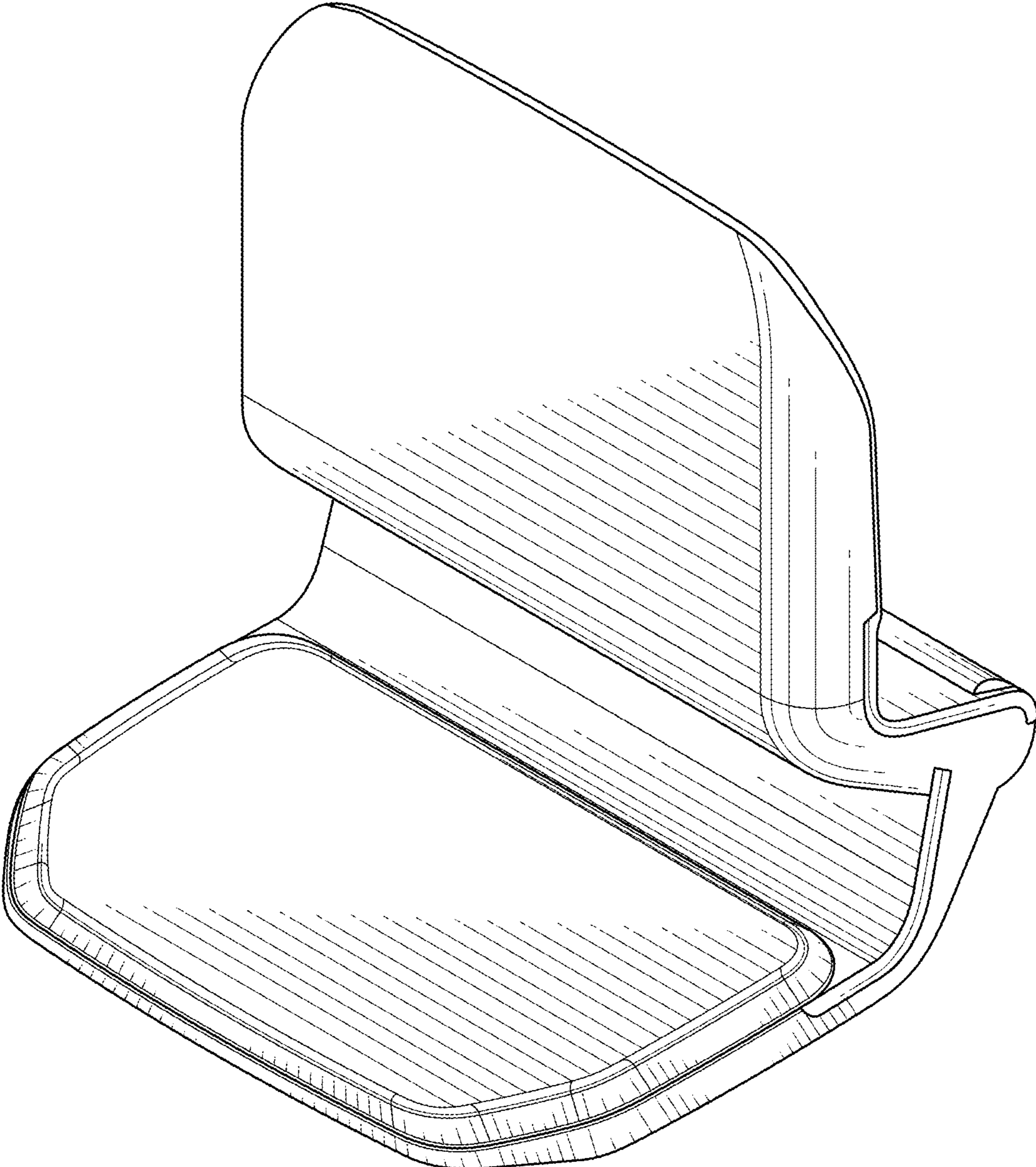


FIG. 1

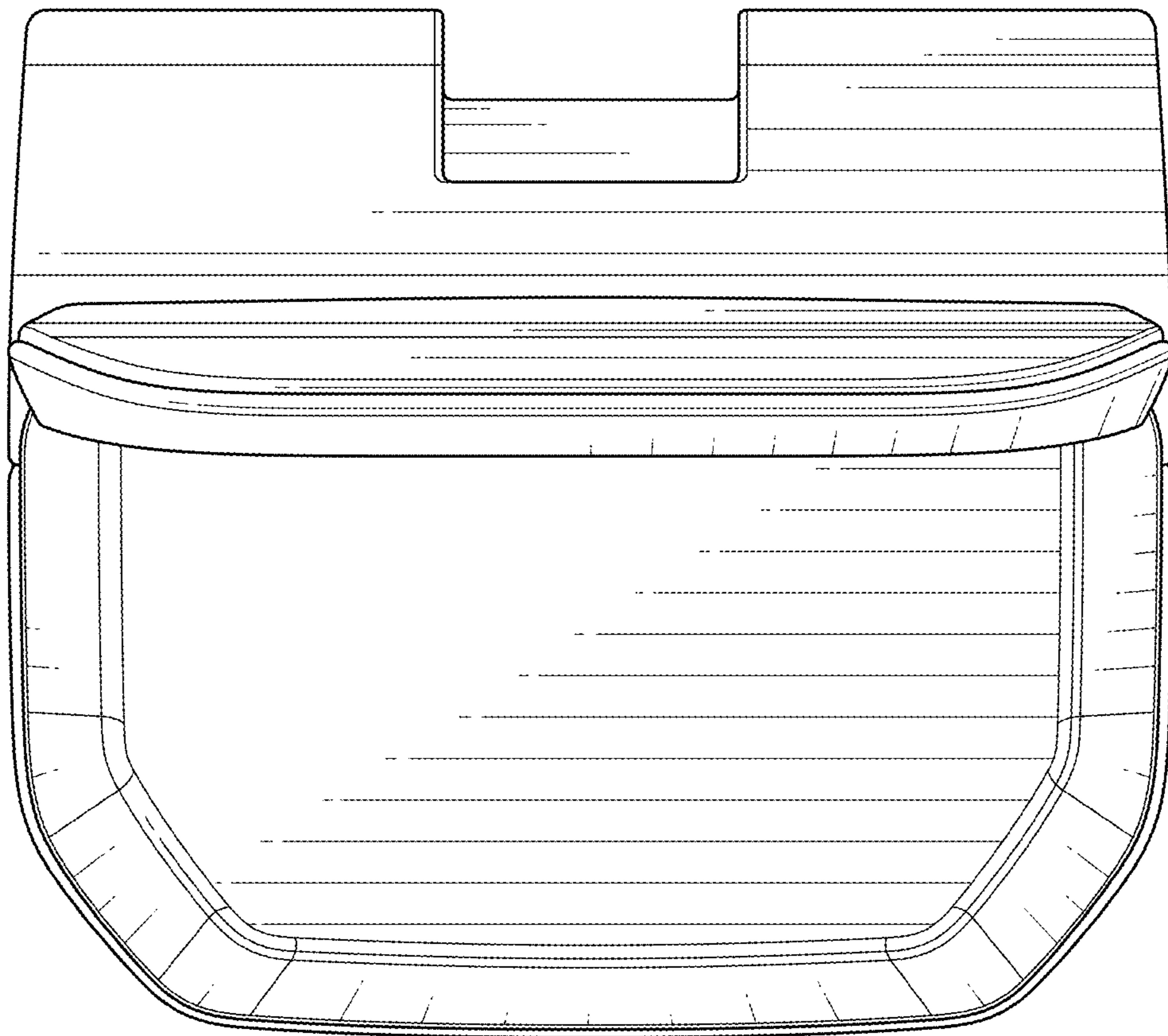


FIG. 2

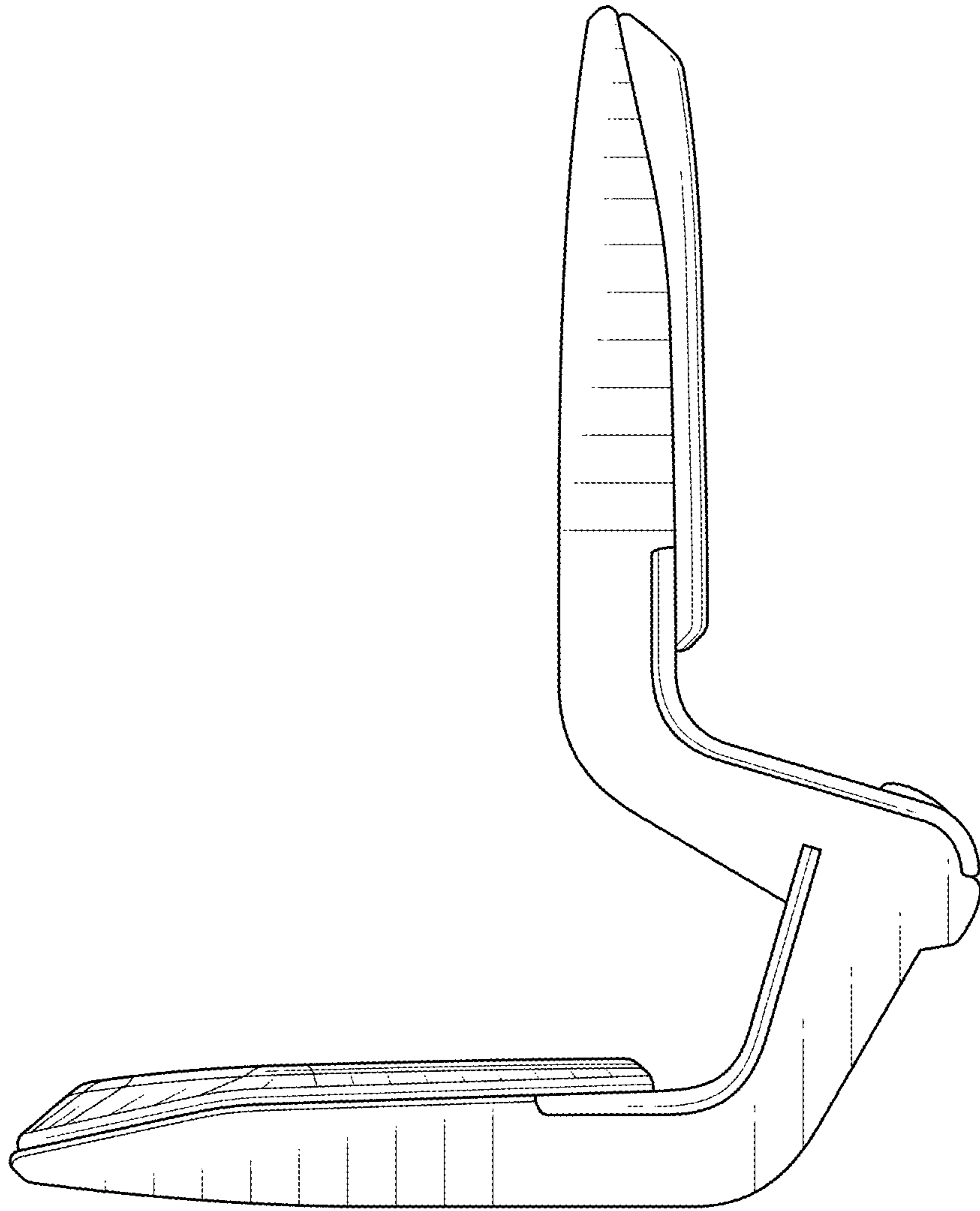


FIG. 3

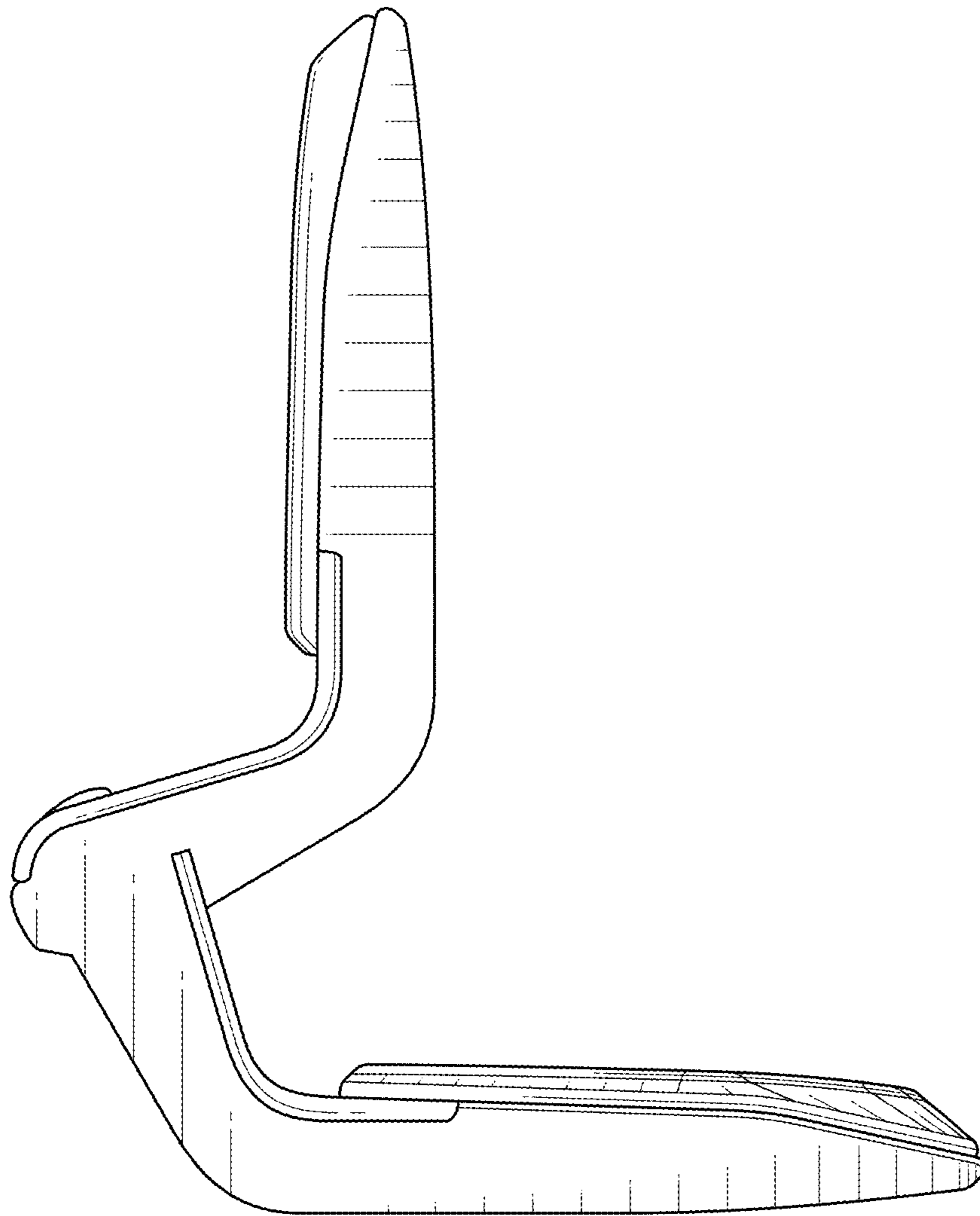


FIG. 4



FIG. 5

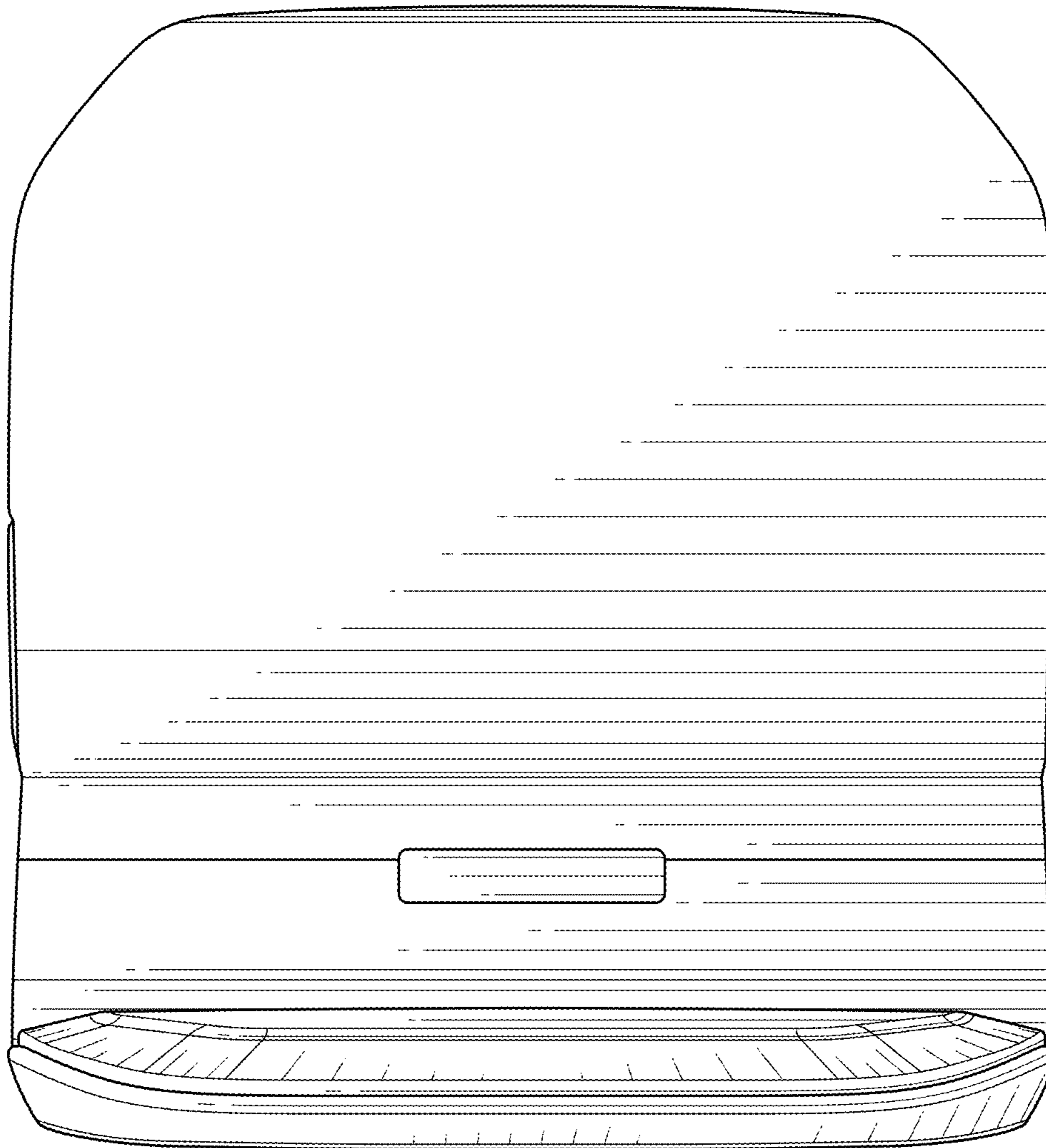


FIG. 6

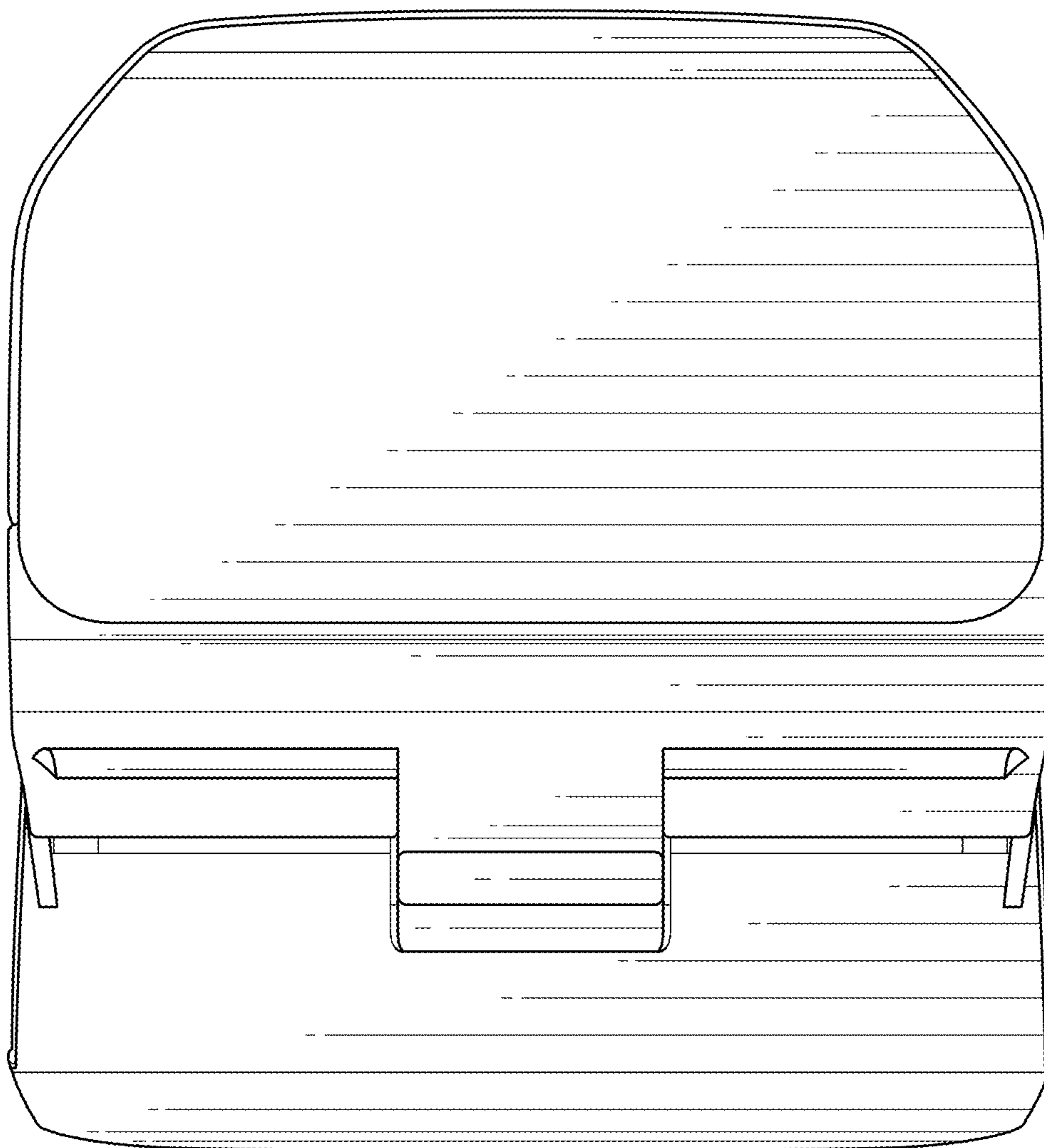


FIG. 7

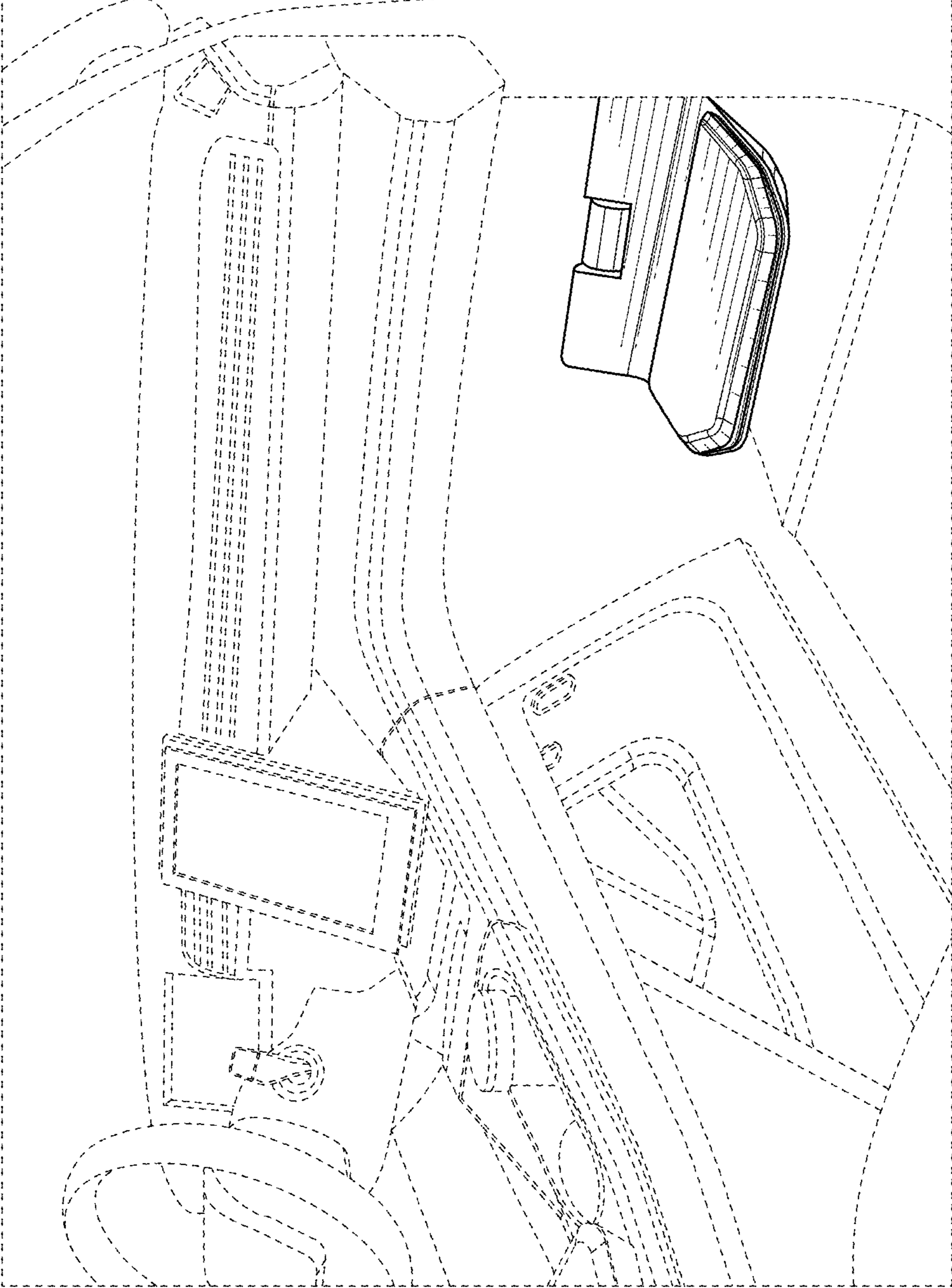


FIG. 8

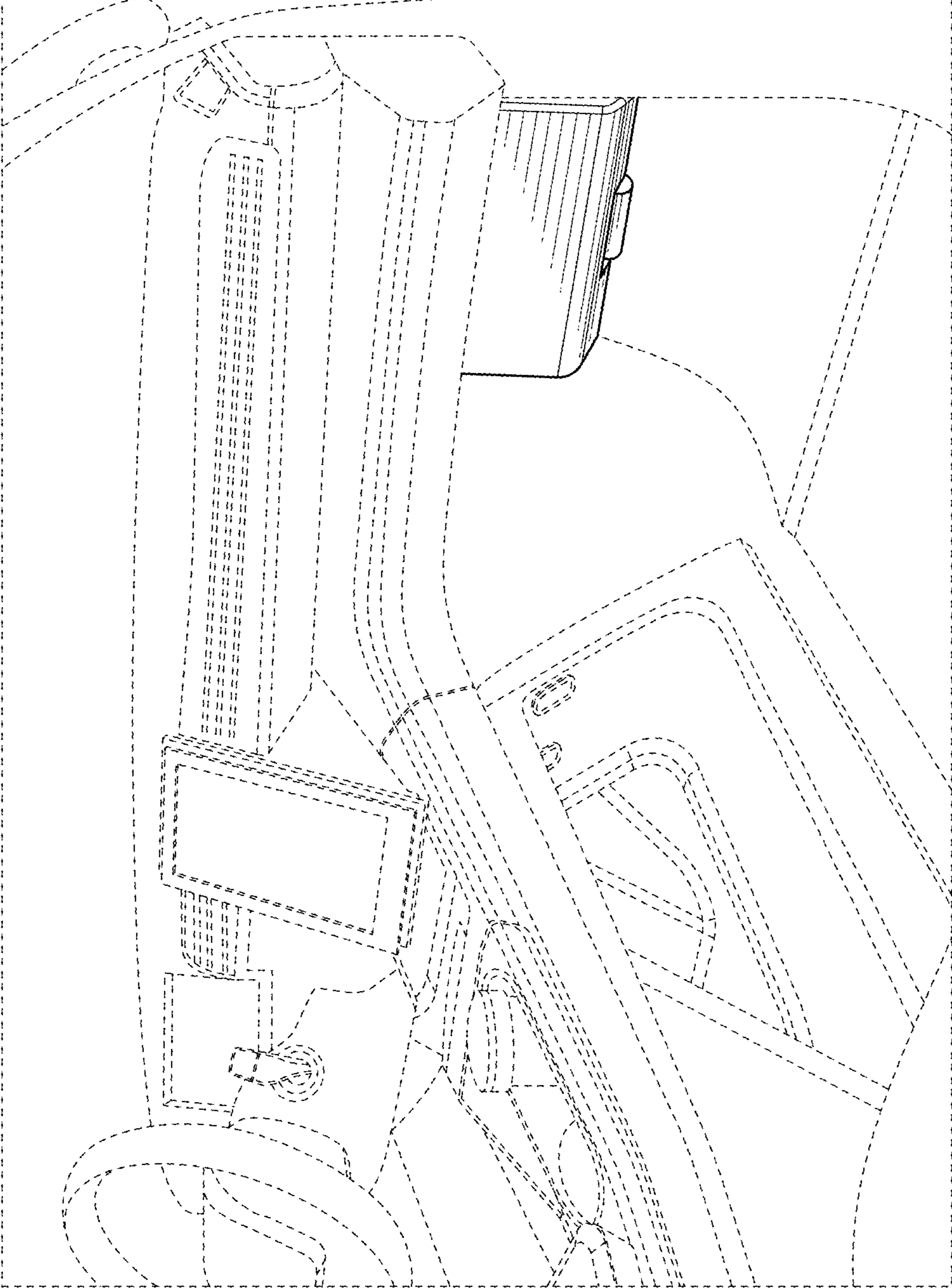


FIG. 9