



US00D843923S

(12) **United States Design Patent**  
**Floyd**

(10) **Patent No.:** **US D843,923 S**

(45) **Date of Patent:** **\*\* Mar. 26, 2019**

- (54) **RAIL FOR A TRUCK BOX**
- (71) Applicant: **Aaron Floyd**, Cantonment, FL (US)
- (72) Inventor: **Aaron Floyd**, Cantonment, FL (US)
- (73) Assignee: **DAWS MANUFACTURING COMPANY, INC.**, Pensacola, FL (US)
- (\*\*) Term: **15 Years**
- (21) Appl. No.: **29/589,569**
- (22) Filed: **Jan. 3, 2017**
- (51) **LOC (11) Cl.** ..... **12-16**
- (52) **U.S. Cl.**  
USPC ..... **D12/414.1**
- (58) **Field of Classification Search**  
USPC ..... D12/414.1, 412-414  
CPC ..... B60R 7/02; B60R 9/04; B60R 9/055  
See application file for complete search history.

- D630,015 S \* 1/2011 Weng ..... D12/414.1
- D713,323 S \* 9/2014 Gearner, III ..... D12/414.1
- D722,008 S \* 2/2015 Tuel ..... D12/414.1
- D772,140 S \* 11/2016 Race ..... D12/414.1
- D816,587 S \* 5/2018 Perkins ..... D12/414.1
- D818,420 S \* 5/2018 Roach ..... D12/414.1

\* cited by examiner

*Primary Examiner* — Katrina A Betton

(74) *Attorney, Agent, or Firm* — Thomas L. Kautz;  
GrayRobinson, P.A.

(57) **CLAIM**

The ornamental design of a rail for a truck box, as shown and described.

**DESCRIPTION**

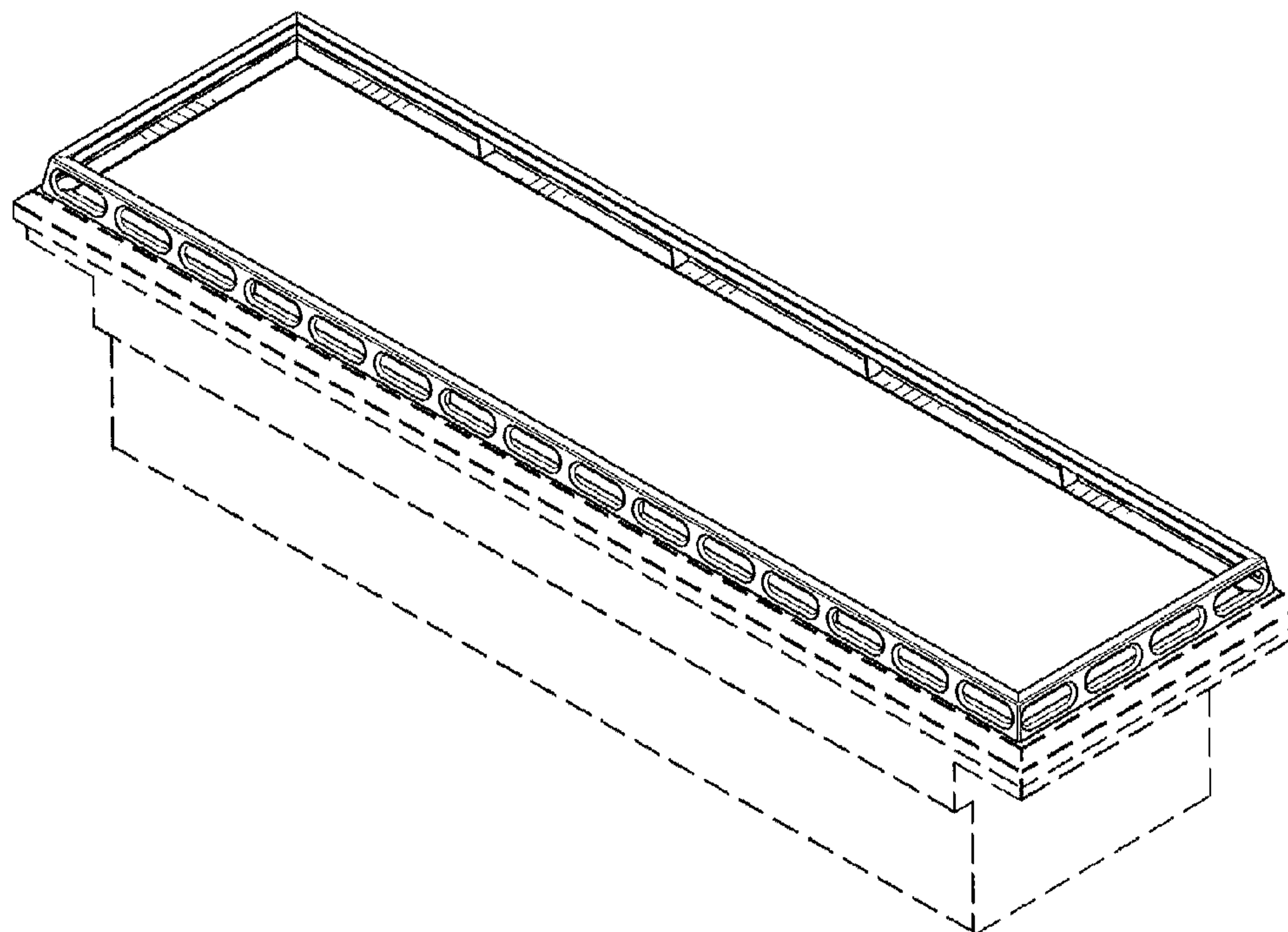
FIG. 1 is a front perspective view of my ornamental design of a rail for a truck box;  
 FIG. 2 is a side view thereof;  
 FIG. 3 is a front view thereof;  
 FIG. 4 is a top plan view thereof;  
 FIG. 5 is a bottom plan view thereof; and,  
 FIG. 6 a front perspective view depicting the rail in position on a truck box which is depicted in broken lines.  
 The broken lines in the drawings represent unclaimed environment and form no part of the claim.

**1 Claim, 5 Drawing Sheets**

(56) **References Cited**

U.S. PATENT DOCUMENTS

- D539,727 S \* 4/2007 O'Connor ..... D12/414.1
- D564,437 S \* 3/2008 Moore ..... D12/414.1
- D623,121 S \* 9/2010 Lewis ..... D12/414.1



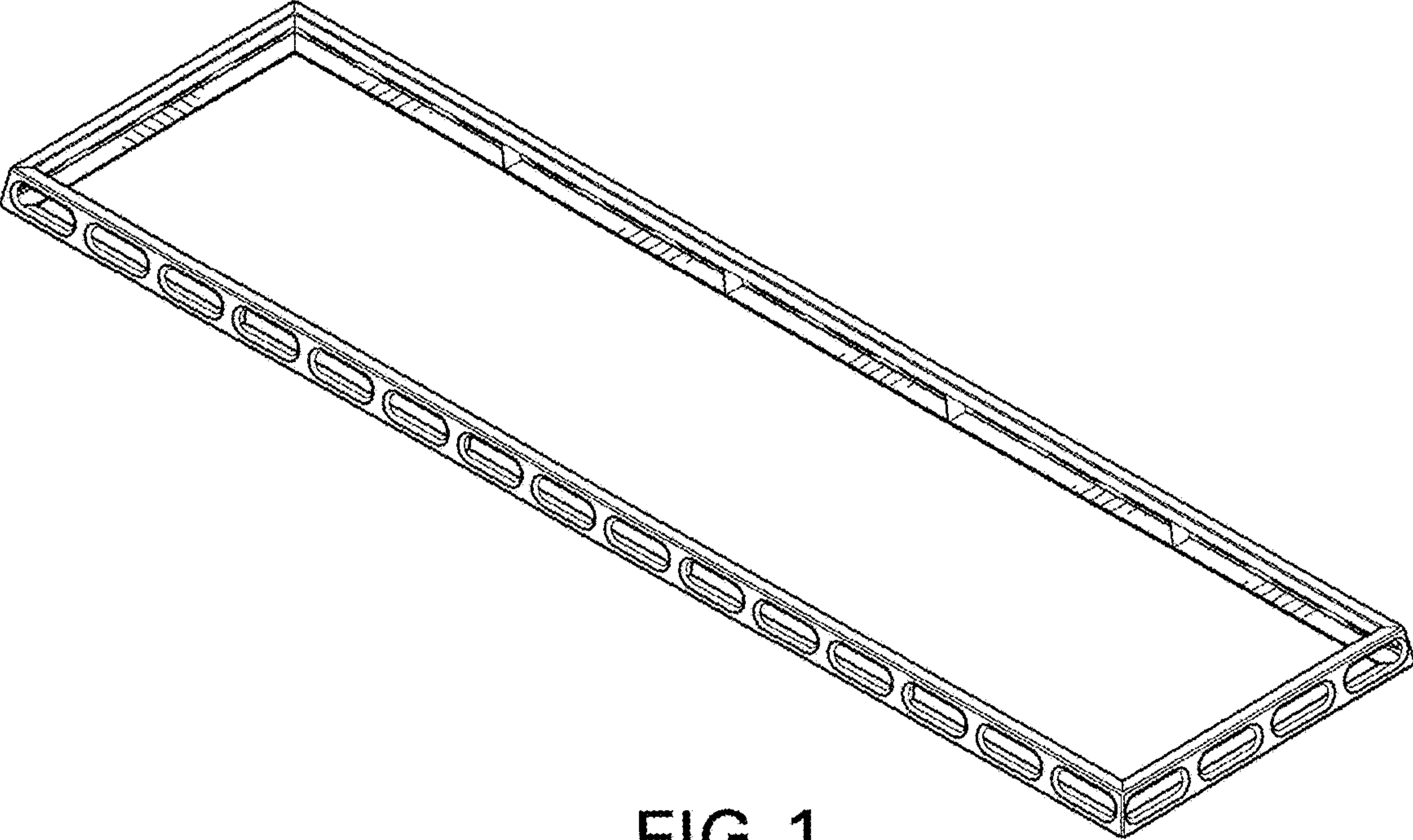


FIG. 1



FIG. 2



FIG. 3

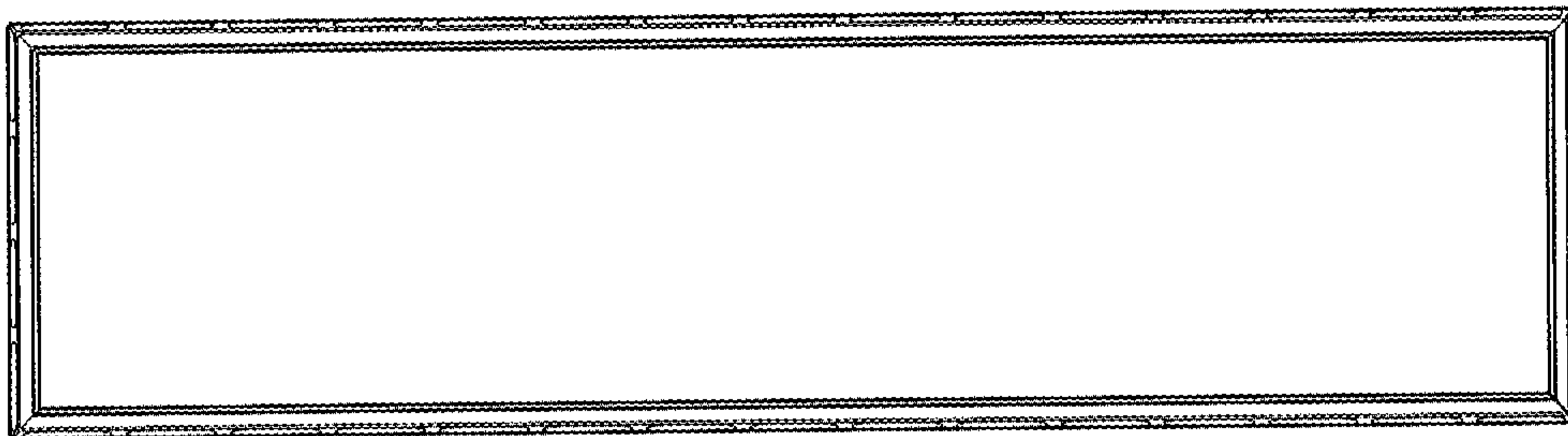


FIG.4

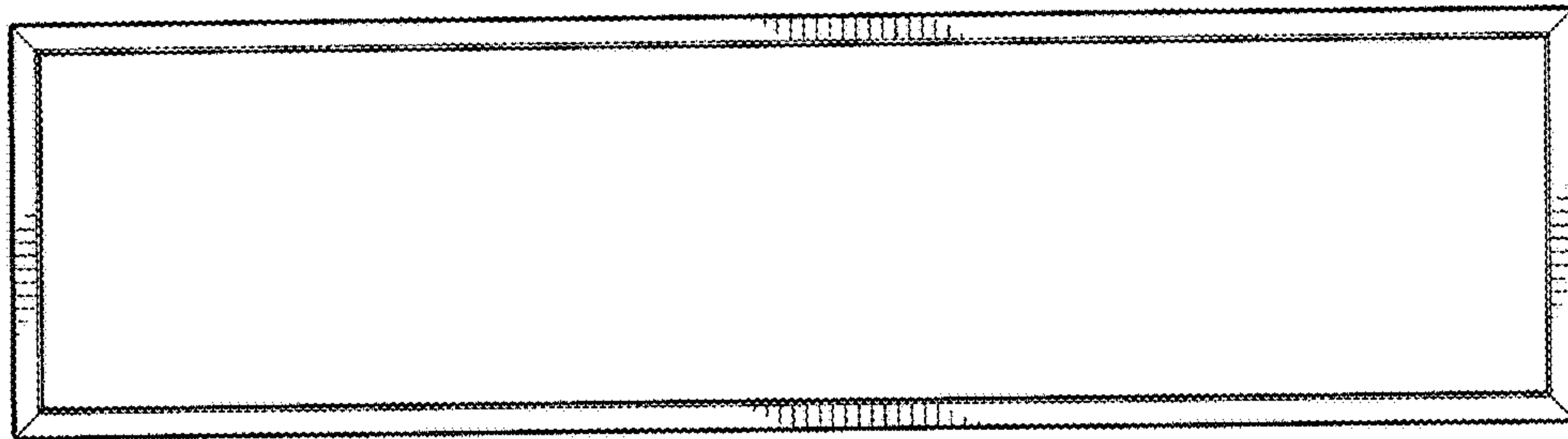


FIG. 5

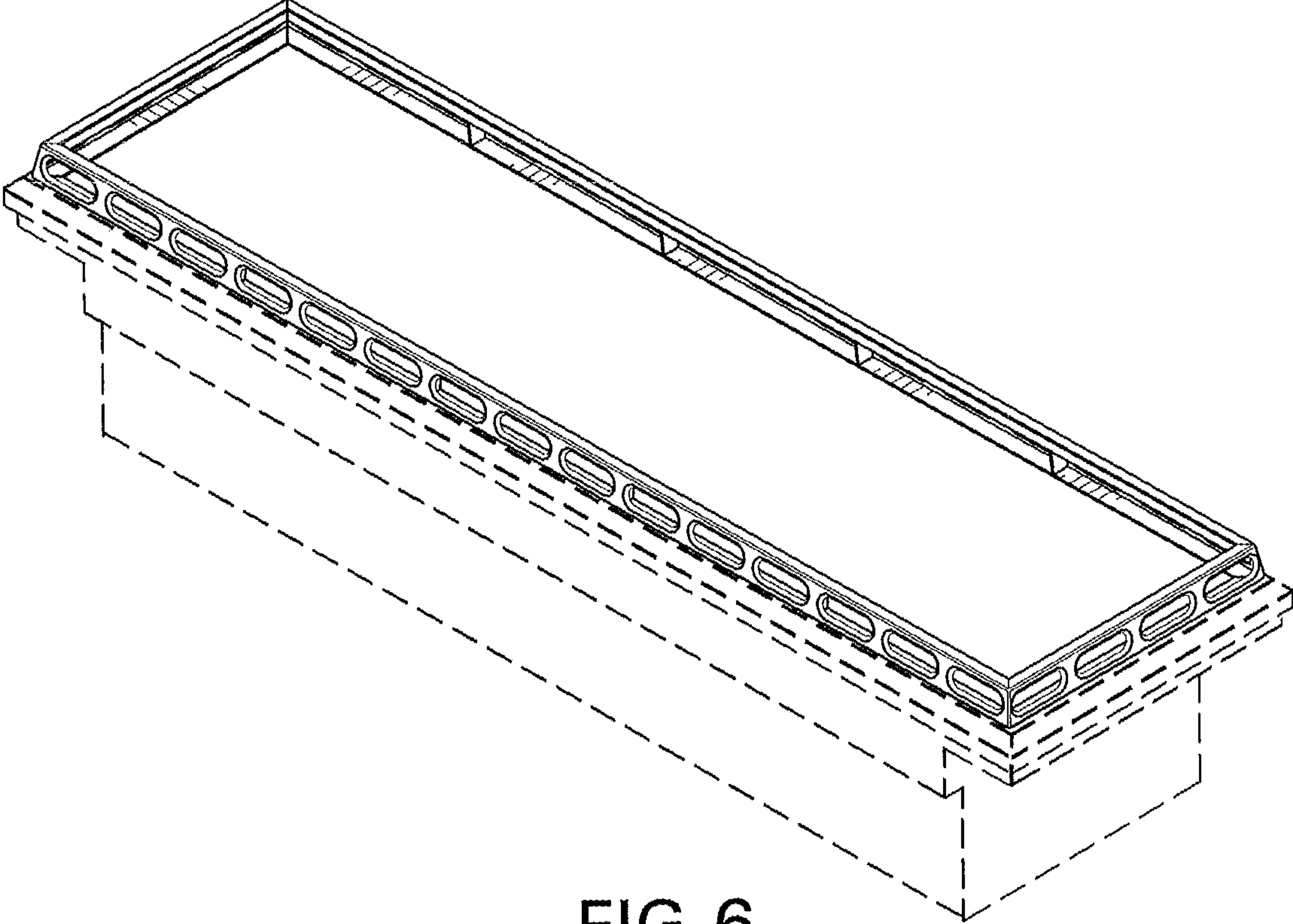


FIG.6