



US00D843922S

(12) **United States Design Patent**
Ting

(10) **Patent No.:** **US D843,922 S**

(45) **Date of Patent:** **** Mar. 26, 2019**

(54) **TRUCK RACK**

(71) Applicant: **Tailai Ting**, Pomona, CA (US)

(72) Inventor: **Tailai Ting**, Pomona, CA (US)

(**) Term: **15 Years**

(21) Appl. No.: **29/620,327**

(22) Filed: **Oct. 11, 2016**

(51) **LOC (11) Cl.** **12-16**

(52) **U.S. Cl.**
USPC **D12/414**

(58) **Field of Classification Search**
USPC D12/414, 406-413, 414.1; D32/35, 58;
D6/317-319, 513-514
CPC B60R 9/00; B60R 2011/0042
See application file for complete search history.

(56) **References Cited**

U.S. PATENT DOCUMENTS

D244,268 S * 5/1977 Hinch D12/412
D306,003 S * 2/1990 Berkan, Jr. D12/414

D398,284 S * 9/1998 Carter et al. D12/406
D436,915 S * 1/2001 Burger D12/406
D444,446 S * 7/2001 Carter D12/406
7,641,251 B1 * 1/2010 Stepanians 296/3
D639,231 S * 6/2011 Walsh D12/414
D655,238 S * 3/2012 Vu D12/406

* cited by examiner

Primary Examiner — Katrina A Betton

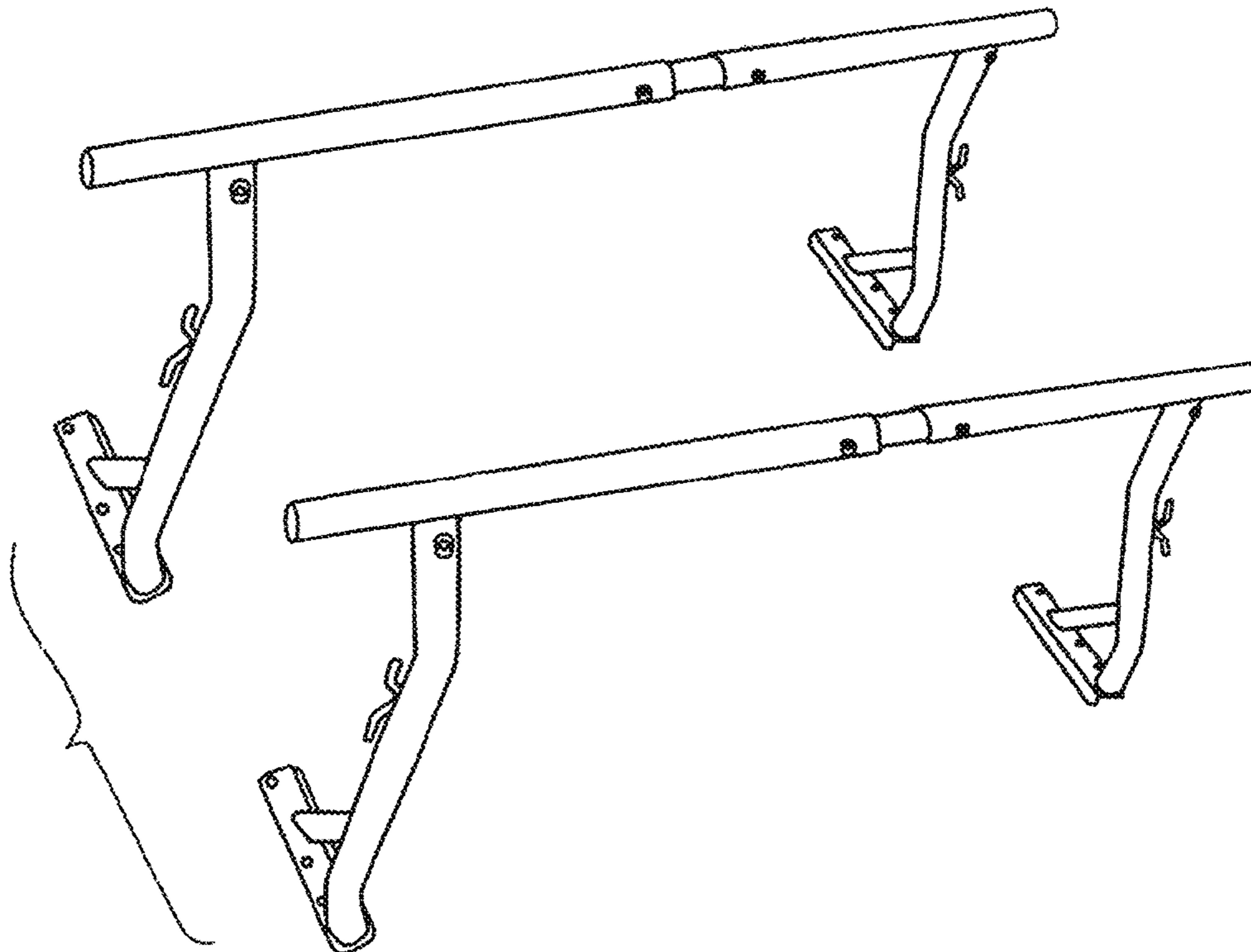
(57) **CLAIM**

The ornamental design for a truck rack, as shown and described.

DESCRIPTION

FIG. 1 is a perspective view of a truck rack showing my new design.
FIG. 2 is a top plan view of the truck rack.
FIG. 3 is a front elevational view of the truck rack.
FIG. 4 is a left side elevational view of the truck rack.
FIG. 5 is a right side elevational view of the truck rack.
FIG. 6 is a bottom plan view of the truck rack; and,
FIG. 7 is a rear elevational view of the truck rack.

1 Claim, 4 Drawing Sheets



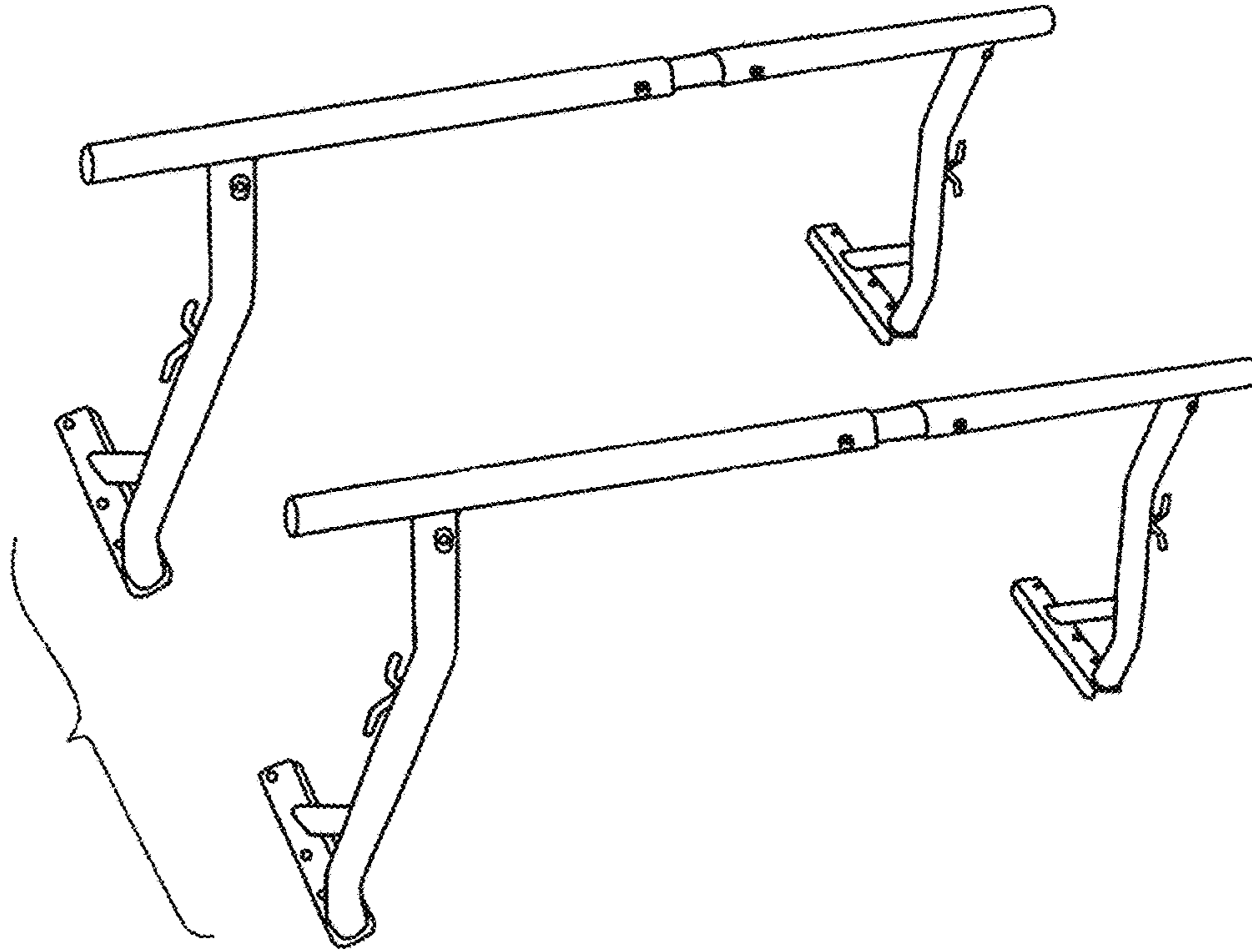


FIG. 1

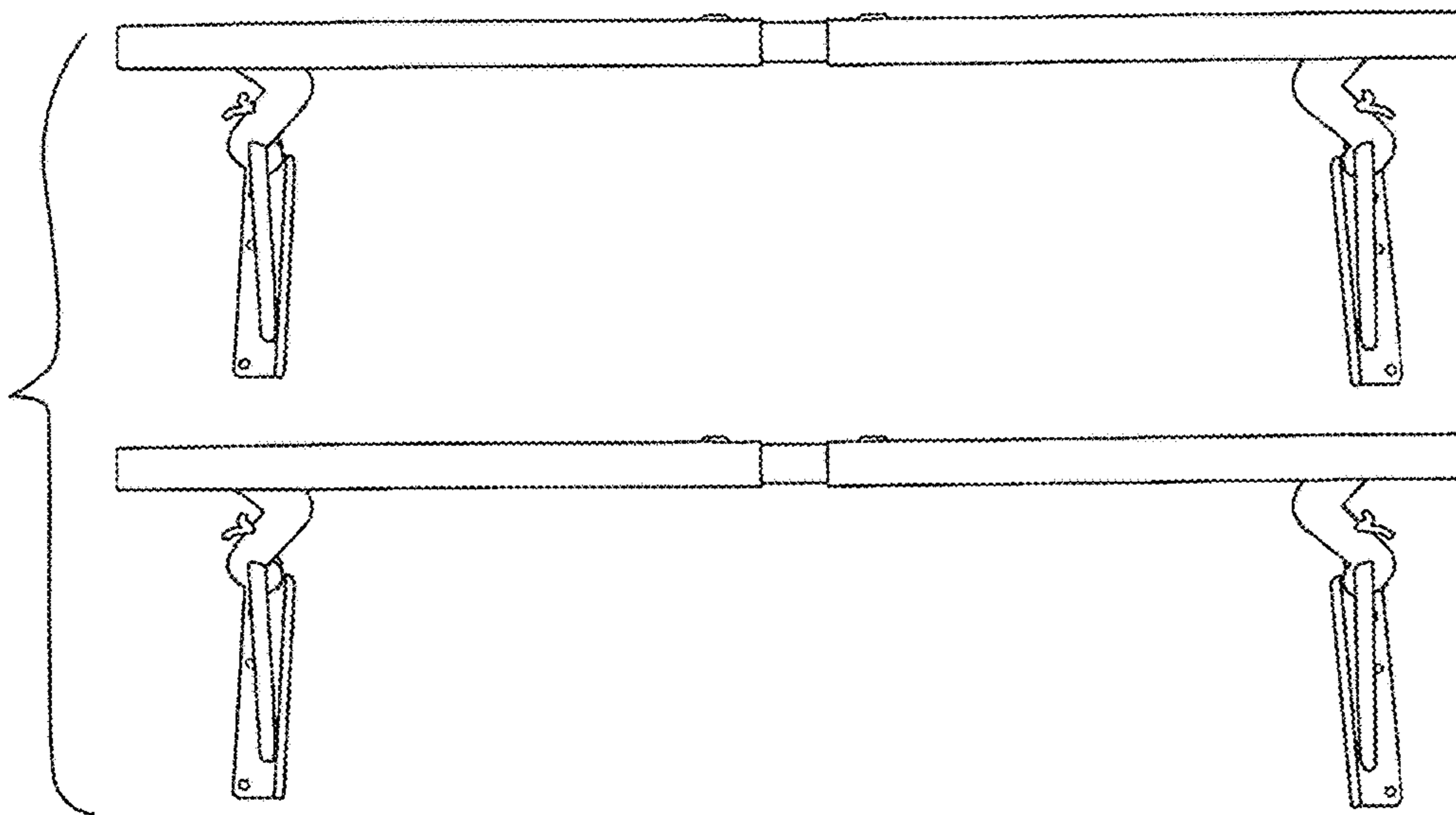


FIG. 2

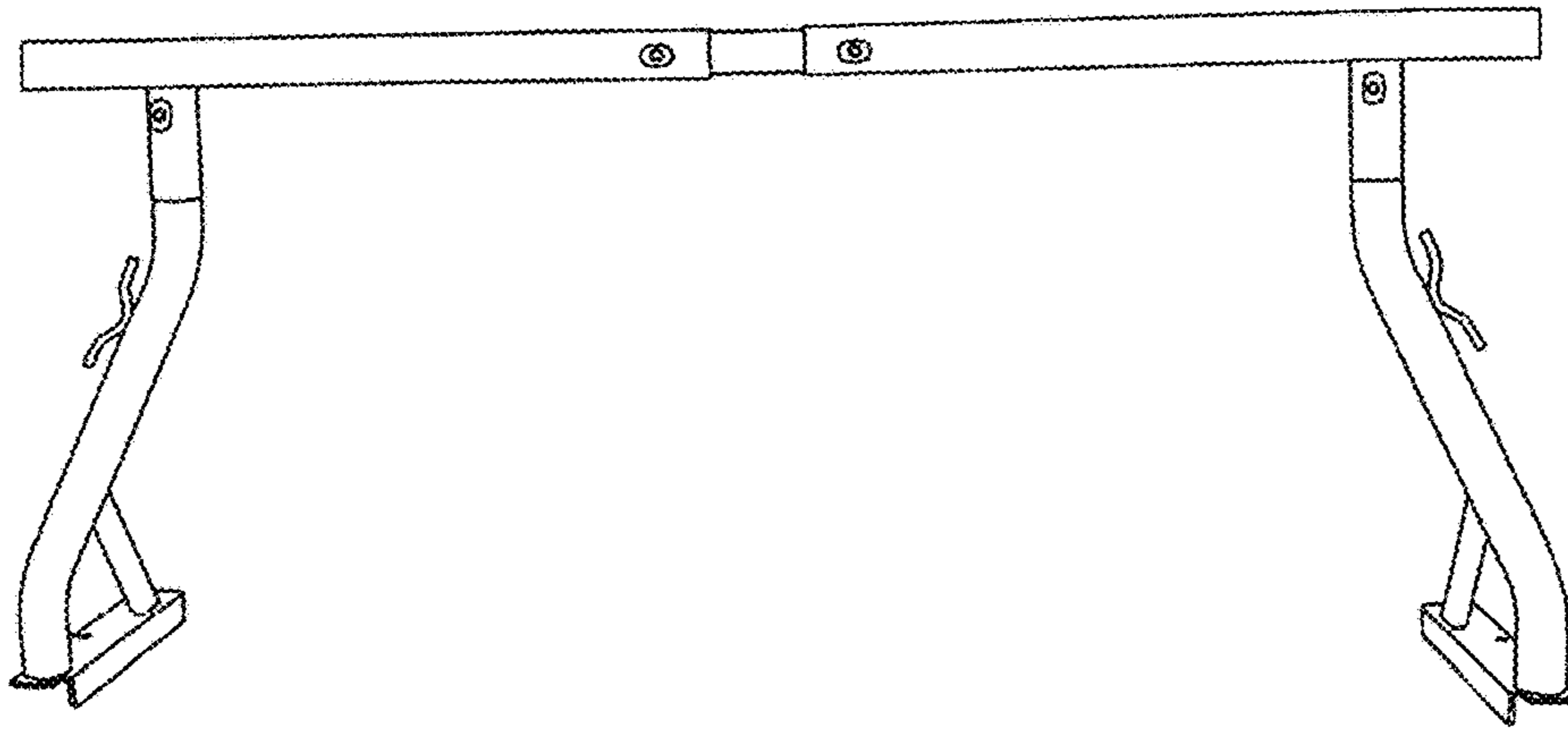


FIG.3

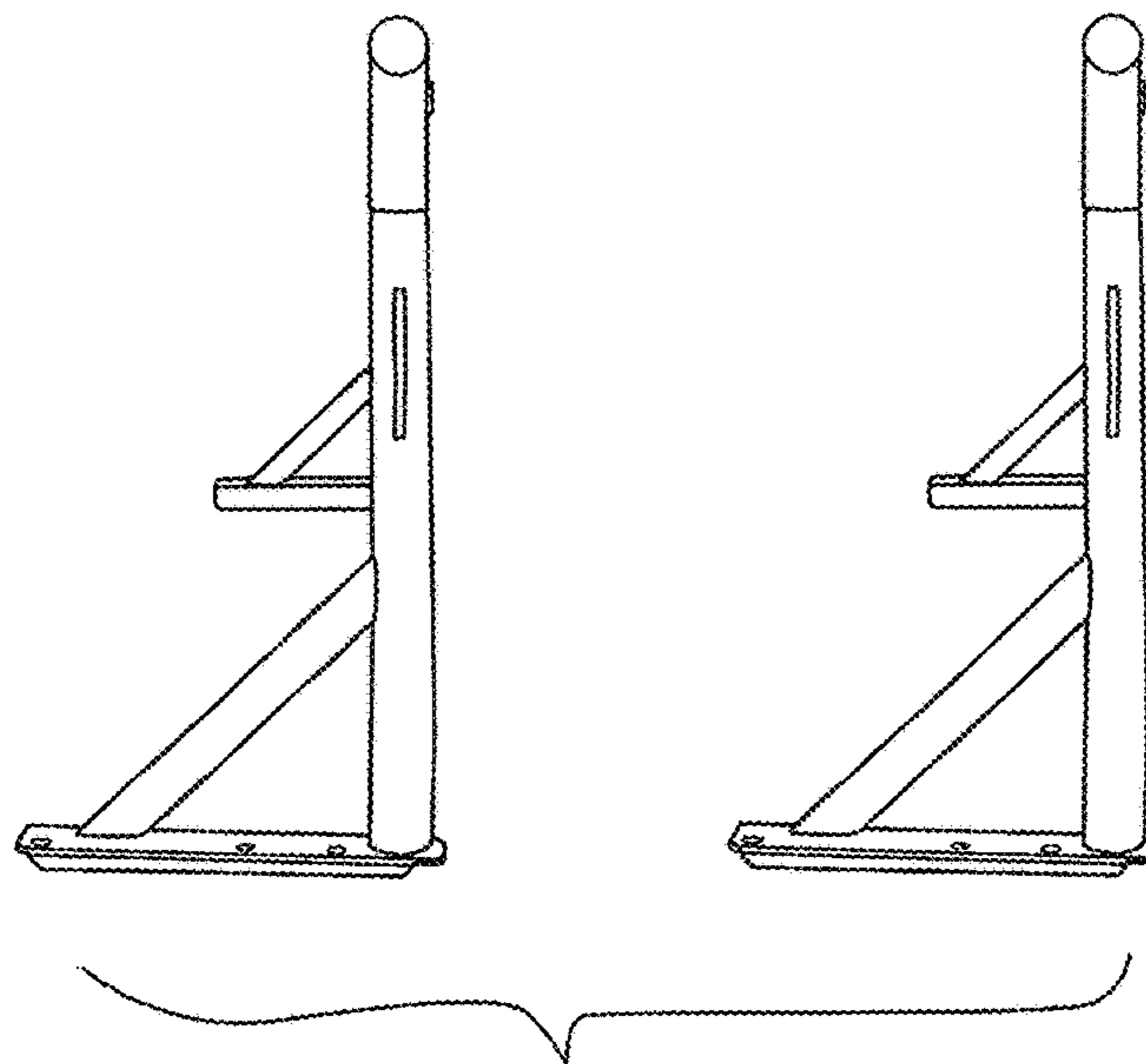


FIG.4

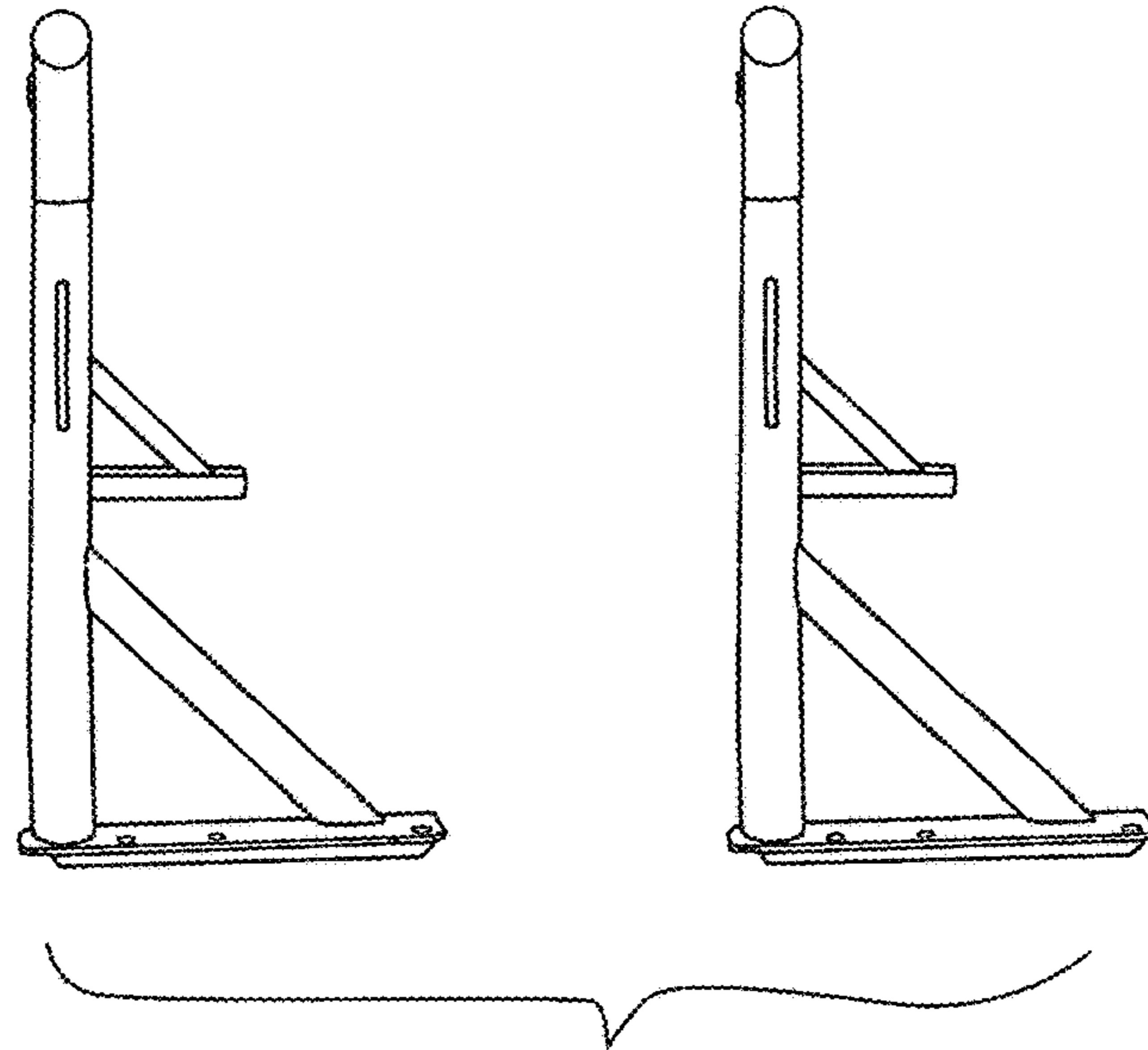


FIG. 5

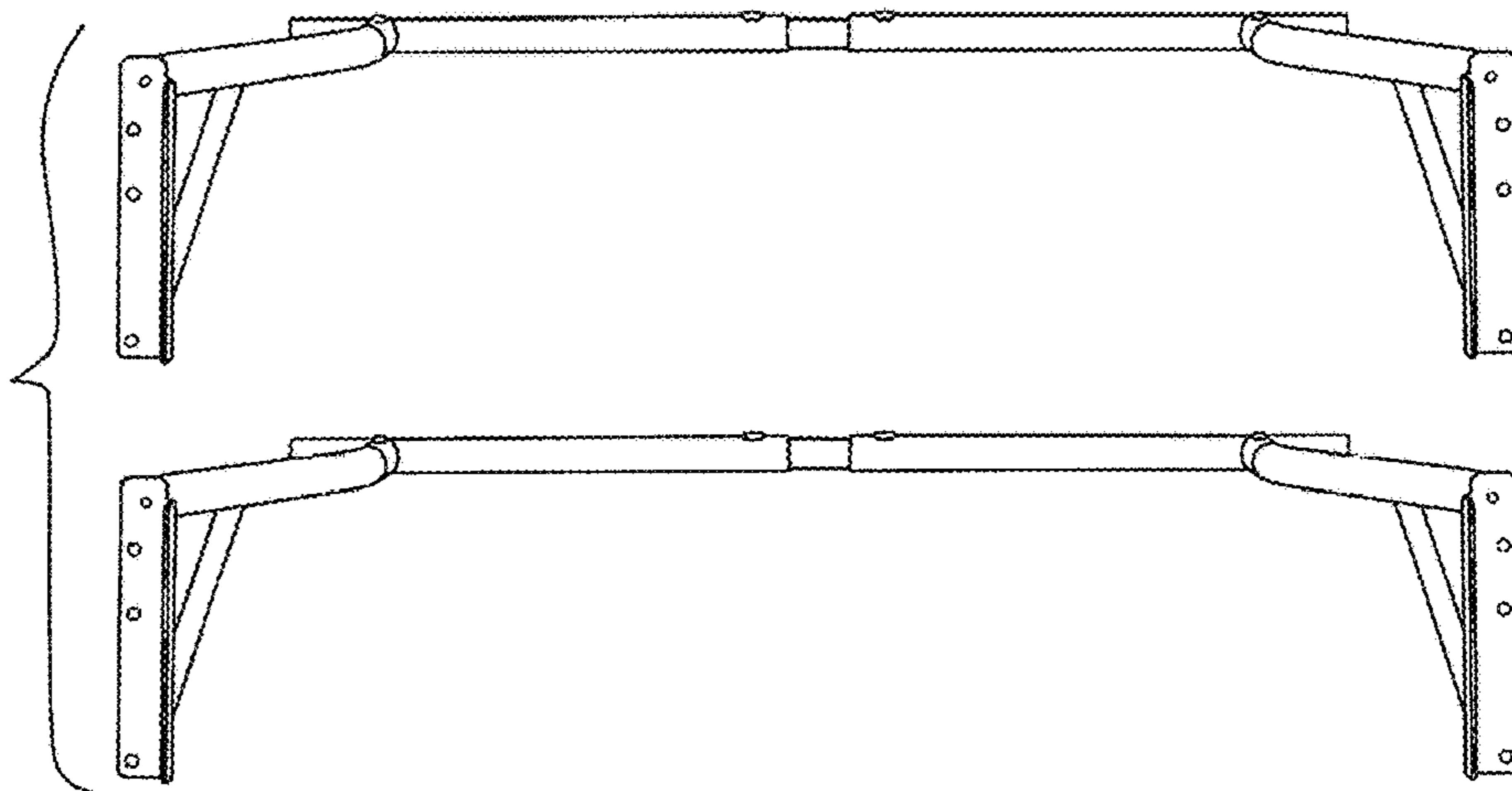


FIG. 6

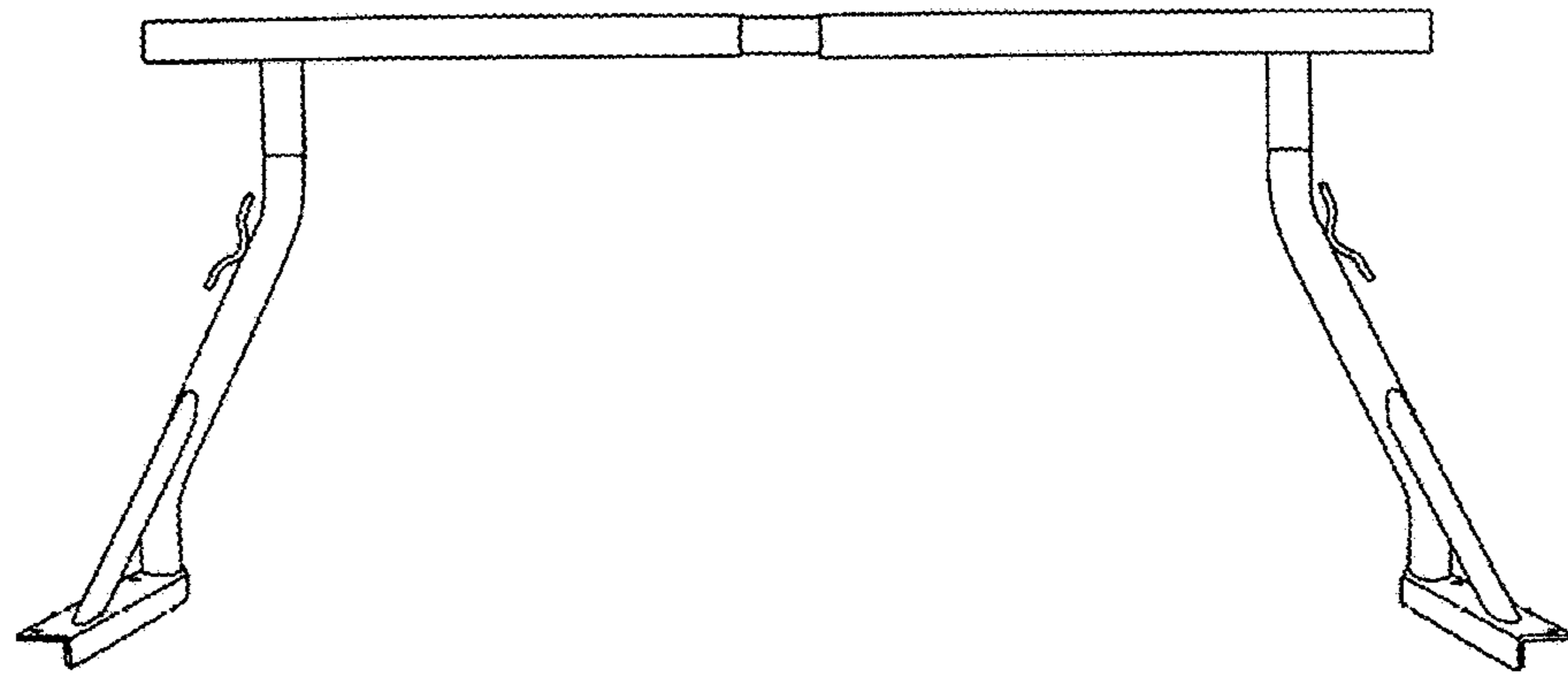


FIG. 7