



US00D843920S

(12) **United States Design Patent**
Hernadi

(10) **Patent No.:** **US D843,920 S**
(45) **Date of Patent:** **** Mar. 26, 2019**

(54) **DECAGONAL BOXED-WING FOR AIRCRAFT**

(71) Applicant: **Andras Hernadi**, Stockholm (SE)

(72) Inventor: **Andras Hernadi**, Stockholm (SE)

(**) Term: **14 Years**

(21) Appl. No.: **29/520,505**

(22) Filed: **Mar. 16, 2015**

(30) **Foreign Application Priority Data**

Sep. 25, 2014 (SE) 002544510-0001

(51) **LOC (11) Cl.** **12-01**

(52) **U.S. Cl.**
USPC **D12/345**

(58) **Field of Classification Search**
USPC D12/16.1, 319, 323-345; D21/436, 438,
D21/439, 440, 441, 447, 448, 449, 450,
D21/452, 453, 454, 455
CPC B64C 1/062; B64C 39/024; B64C 27/08;
B64C 39/062; B64C 23/065; B64C
39/068

See application file for complete search history.

(56) **References Cited**

U.S. PATENT DOCUMENTS

3,834,654 A 9/1974 Miranda
3,981,460 A * 9/1976 Ratony B64C 39/068
244/13
4,053,125 A 10/1977 Ratony
4,146,199 A 3/1979 Wenzel
4,365,773 A 12/1982 Wolkovitch
D275,021 S * 8/1984 Brzack D21/453
D292,203 S * 10/1987 Ligeti D12/319
D292,910 S * 11/1987 McGiboney D12/331
D292,911 S * 11/1987 Argondezzi D12/345
D304,821 S 11/1989 Ratony
D311,720 S * 10/1990 Butler D12/331

5,046,684 A * 9/1991 Wolkovitch B64C 39/068
244/45 R

5,503,352 A 4/1996 Eger
5,899,409 A * 5/1999 Frediani B64C 39/068
244/13

6,098,923 A * 8/2000 Peters, Jr. B64C 3/16
244/13

6,474,604 B1 11/2002 Carlow
D486,776 S * 2/2004 Carr D12/319
D516,994 S * 3/2006 Houck, II D12/319
D594,809 S * 6/2009 Cazals D12/345
D594,810 S * 6/2009 Cazals D12/345
D594,811 S * 6/2009 Cazals D12/345
D595,206 S * 6/2009 Cazals D12/345

(Continued)

FOREIGN PATENT DOCUMENTS

EM 002544510-0001 10/2014
EM 002544510-0002 10/2014

Primary Examiner — Marissa J Cash

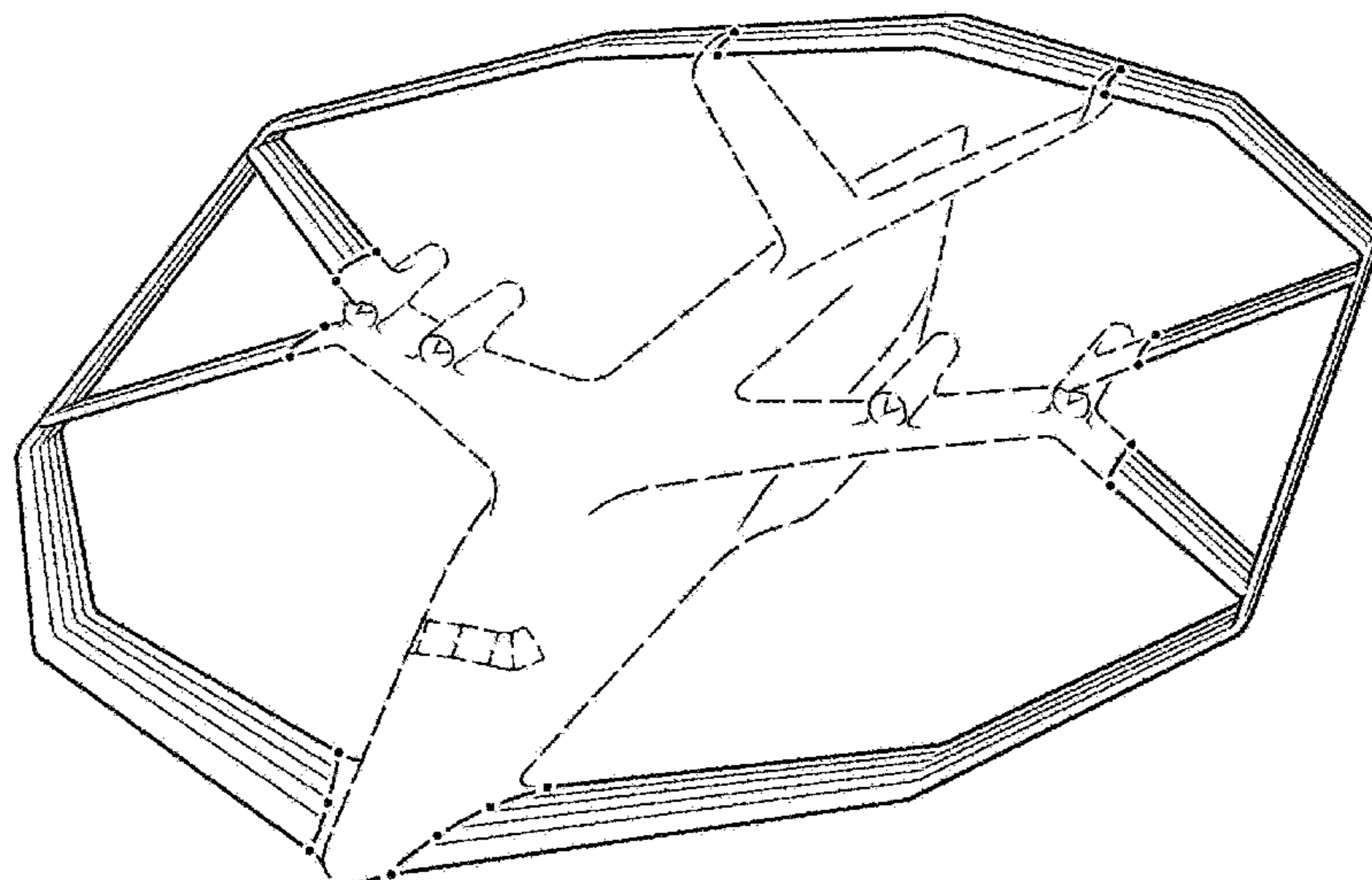
(57) **CLAIM**

The ornamental design for decagonal boxed-wing for aircraft, substantially as shown and described.

DESCRIPTION

FIG. 1 is a perspective view of the design; FIG. 2 is a front elevation view of FIG. 1; FIG. 3 is a top plan view of FIG. 1; FIG. 4 is a side elevation view of FIG. 1; FIG. 5 is a bottom plan view of FIG. 1; and, FIG. 6 is a rear elevation view thereof. The front and rear views are shown in enlarged scale, compared to the dimensions of the top, side and bottom views. As regards the side elevation view, the right-side view is a mirror image of the left side. In the drawings, the broken lines depict environmental subject matter only and form no part of the claimed design. Dash-dot lines illustrate unclaimed boundaries of claimed surfaces.

1 Claim, 3 Drawing Sheets



(56)

References Cited

U.S. PATENT DOCUMENTS

D595,207 S * 6/2009 Cazals D12/345
D595,209 S * 6/2009 Cazals D12/345
D598,838 S * 8/2009 Carr D12/319
8,220,737 B2 * 7/2012 Wood B64C 29/0025
244/12.3
8,657,226 B1 * 2/2014 McGinnis B64C 3/16
244/45 R
8,820,673 B2 * 9/2014 Cacciaguerra B64C 27/26
244/6
D724,001 S * 3/2015 Garreau D12/326
9,308,984 B2 * 4/2016 Suokas B64C 1/26
2003/0201363 A1 * 10/2003 Carr B64C 3/46
244/74
2006/0144991 A1 7/2006 Frediani
2010/0200703 A1 * 8/2010 Cazals B64C 39/068
244/45 R

* cited by examiner

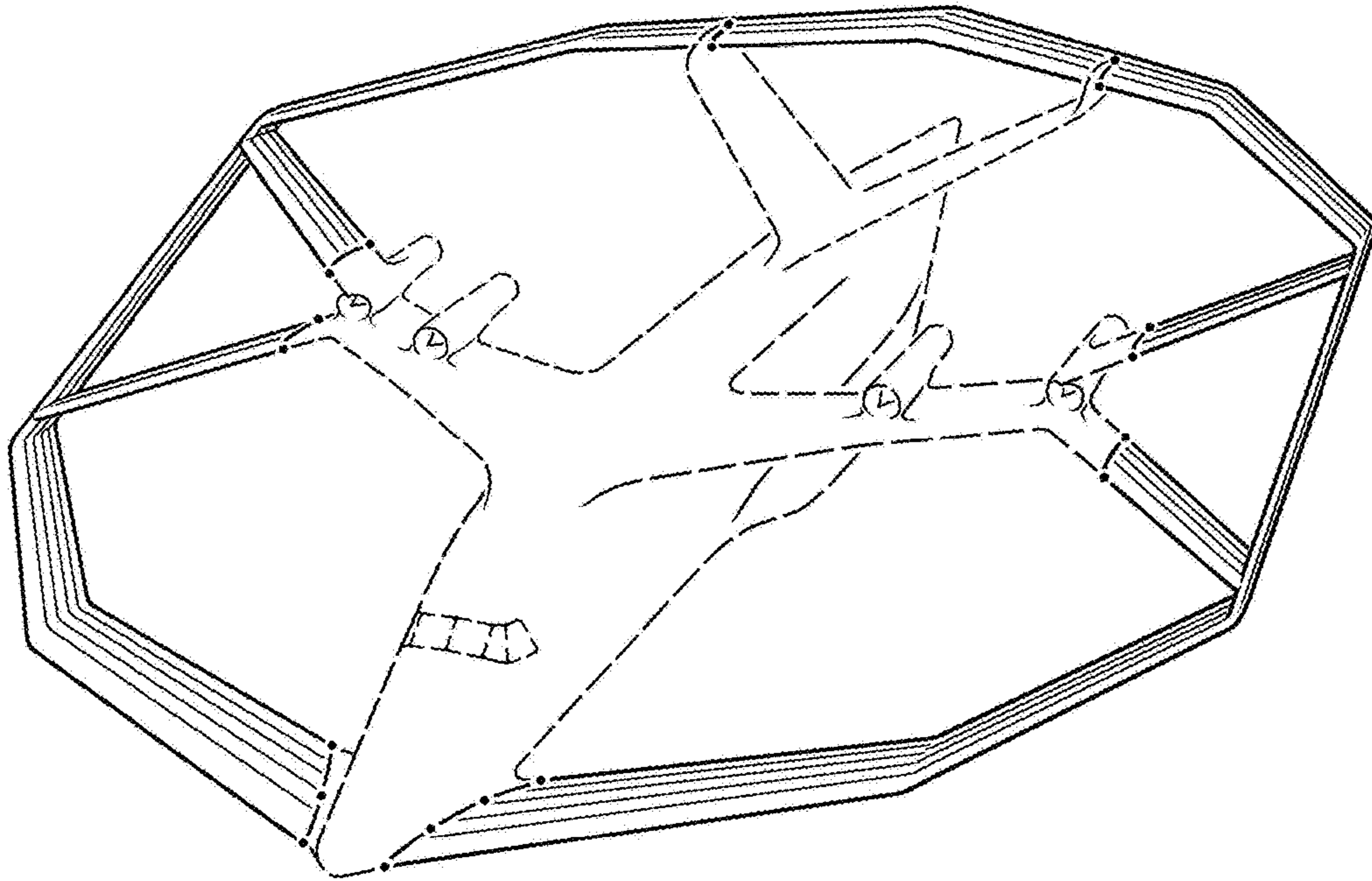


FIG. 1

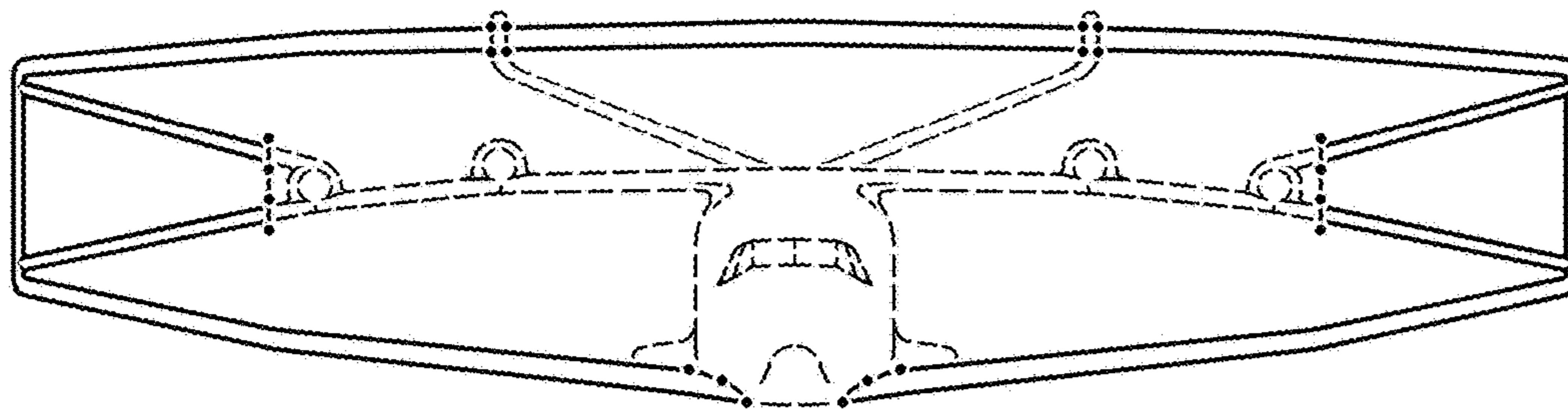


FIG. 2

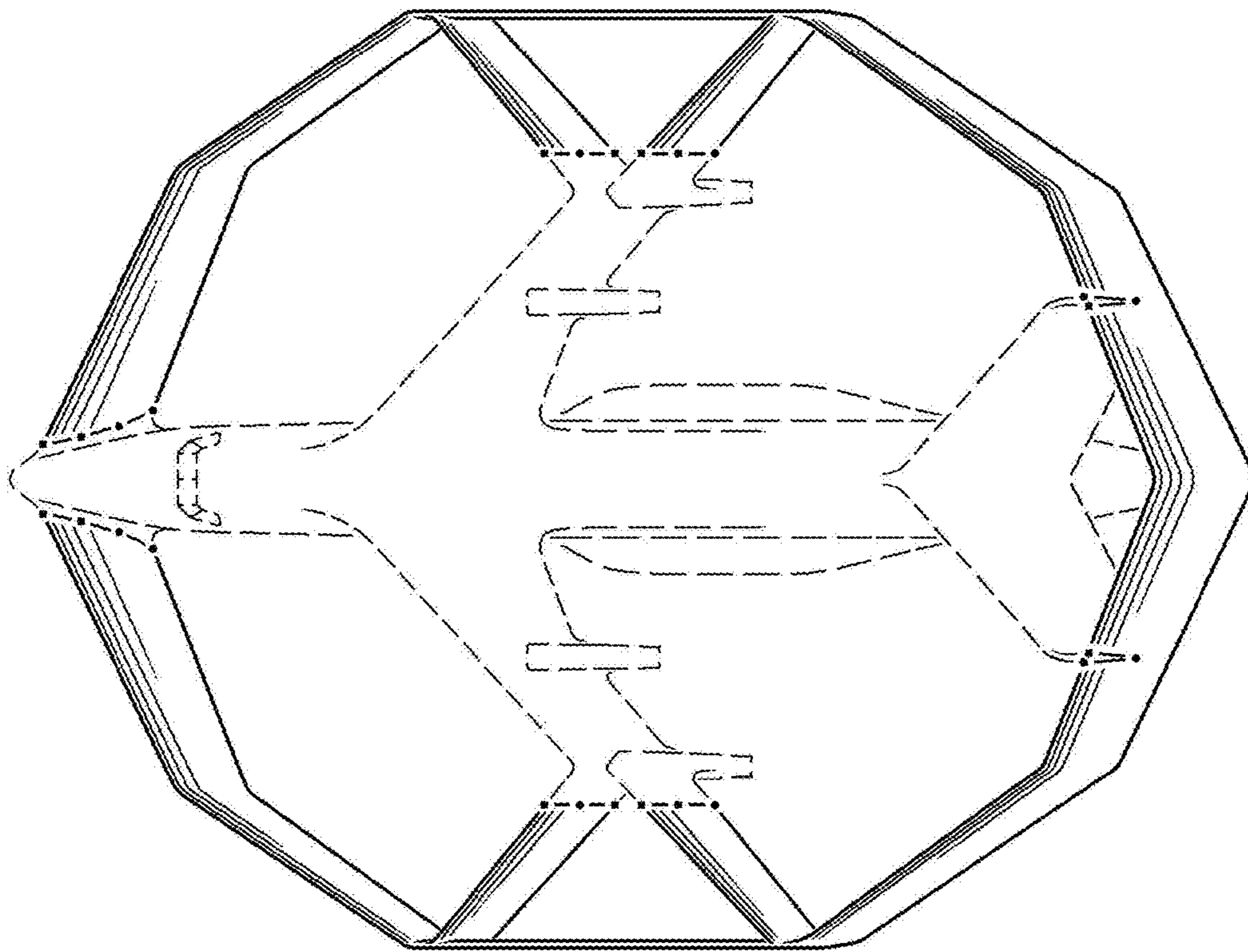


FIG. 3



FIG. 4

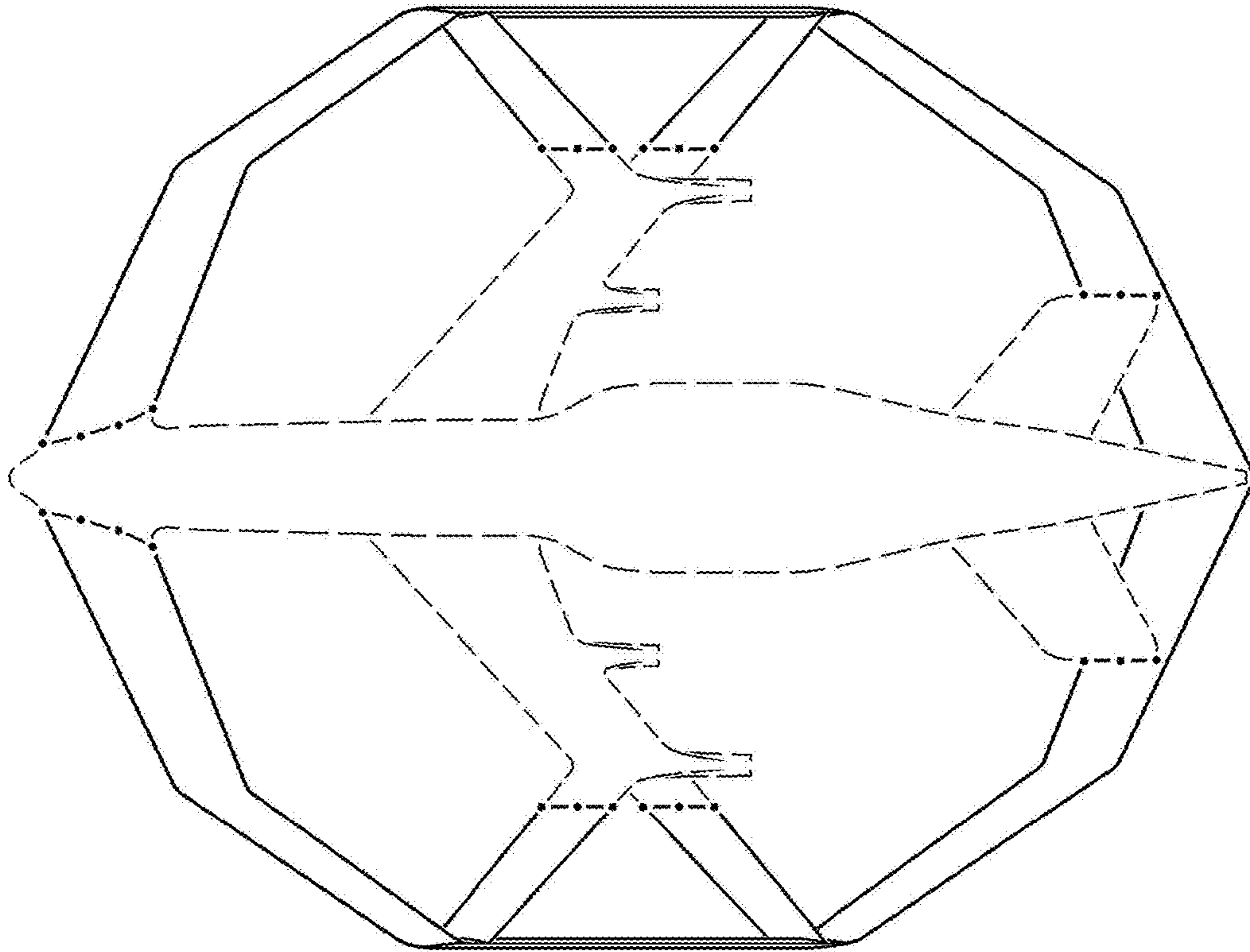


FIG. 5

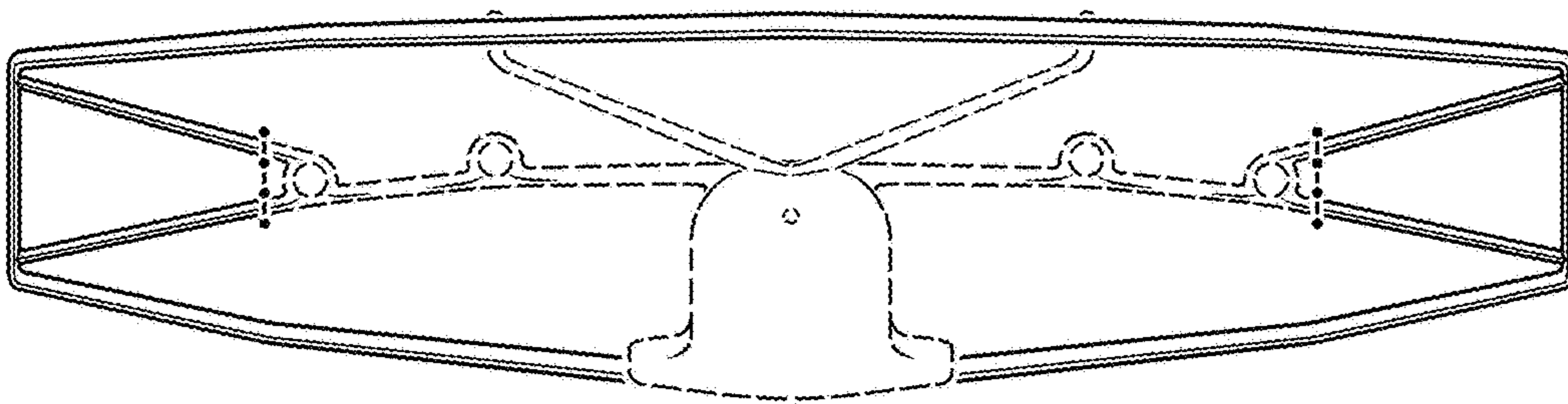


FIG. 6