



US00D843919S

(12) **United States Design Patent** (10) **Patent No.:** **US D843,919 S**
Tzarnotzky et al. (45) **Date of Patent:** **** Mar. 26, 2019**

(54) **AIRCRAFT**
(71) Applicant: **Kitty Hawk Corporation**, Mountain View, CA (US)
(72) Inventors: **Uri Tzarnotzky**, Sunnyvale, CA (US); **James Joseph Tighe**, San Jose, CA (US); **Herve Martins-Rivas**, Mountain View, CA (US)
(73) Assignee: **Kitty Hawk Corporation**, Mountain View, CA (US)

D192,337 S * 3/1962 Skaggs D12/335
D192,665 S * 4/1962 Stepniewski D12/335
D193,122 S * 6/1962 Walker D12/330
D193,369 S * 8/1962 Walker D12/330
D193,452 S * 8/1962 Rellis D12/330
D194,817 S * 3/1963 Paxhia 446/58
D195,794 S * 7/1963 Dancik D12/330

(Continued)

FOREIGN PATENT DOCUMENTS

EM 005518826-0001 * 7/2018
EM 005518826-0002 * 7/2018

OTHER PUBLICATIONS

New autonomous flying car revealed in NZ by motoring. dated Mar. 15, 2018. found online [Oct. 12, 2018] <https://www.motoring.com.au/new-autonomous-flying-car-revealed-in-nz-111606/>.*

Primary Examiner — Marissa J Cash

(74) *Attorney, Agent, or Firm* — Van Pelt, Yi & James LLP

(**) Term: **15 Years**
(21) Appl. No.: **29/640,150**
(22) Filed: **Mar. 12, 2018**
(51) **LOC (11) Cl.** **12-07**
(52) **U.S. Cl.**
USPC **D12/329**; D12/16.1; D12/326
(58) **Field of Classification Search**
USPC D12/16.1, 319-345; D21/436, 438, 441, D21/442, 443, 444, 447, 448, 449, 450, D21/451, 452, 454
CPC ... B64C 29/00; B64C 2201/141; B64C 27/24; B64C 27/30; B64C 39/04; B64C 29/0033; B64C 29/0025
See application file for complete search history.

(57) **CLAIM**

We claim the ornamental design for an aircraft, as shown and described.

DESCRIPTION

FIG. 1 is a perspective view taken from a top, front, and left side of an aircraft.

FIG. 2 is a front view of the aircraft of FIG. 1.

FIG. 3 is a rear view of the aircraft of FIG. 1.

FIG. 4 is a left view of the aircraft of FIG. 1.

FIG. 5 is a right view of the aircraft of FIG. 1.

FIG. 6 is a top view of the aircraft of FIG. 1; and,

FIG. 7 is a bottom view of the aircraft of FIG. 1.

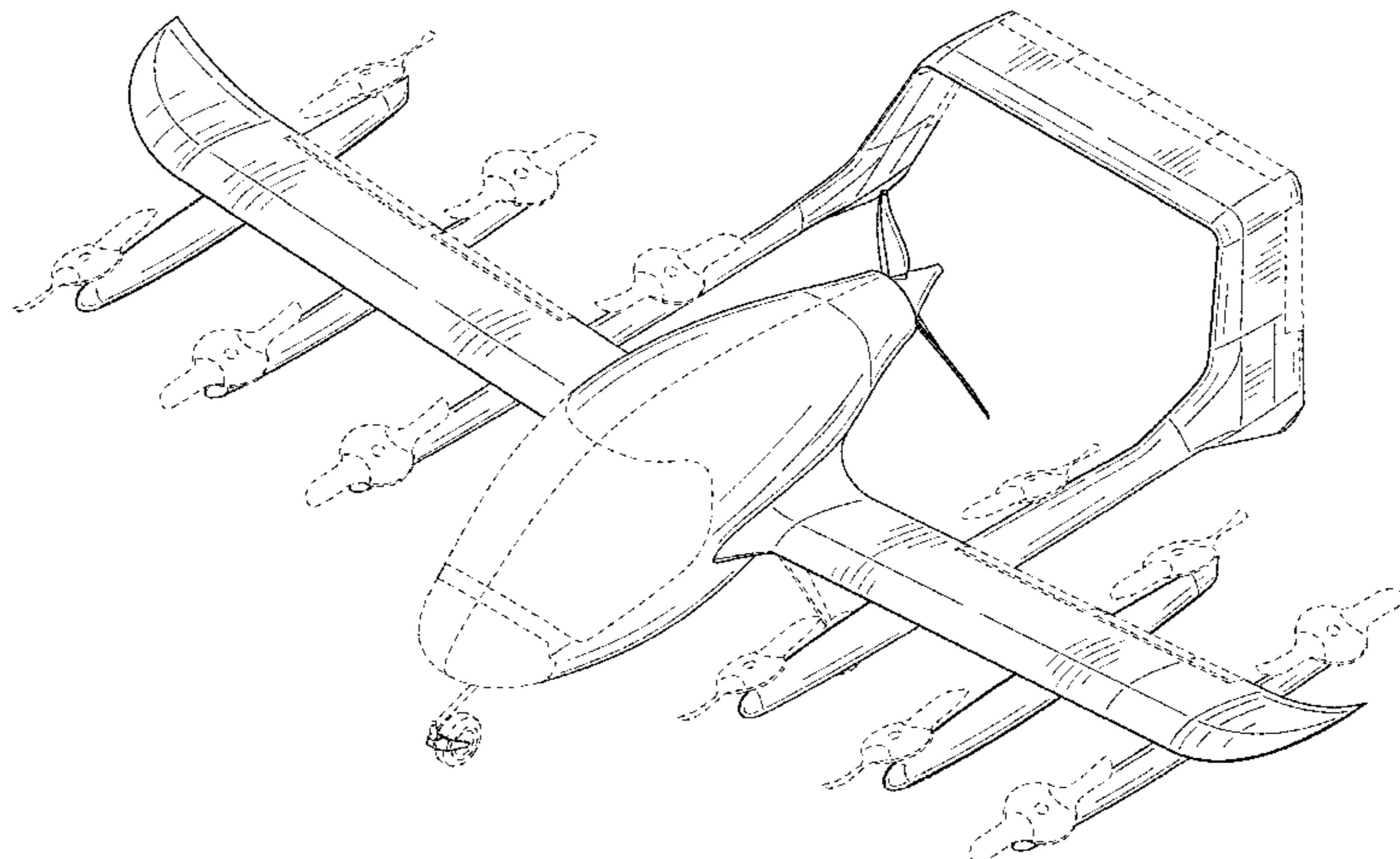
In the drawings, the claimed design is defined by the shaded surfaces; broken lines immediately adjacent shaded surfaces represent boundaries of the claim and form no part thereof; all other broken lines depict portions of the aircraft that form no part of the claim.

(56) **References Cited**

U.S. PATENT DOCUMENTS

D91,444 S * 1/1934 Shelton D12/335
D119,714 S * 3/1940 Hibbard et al. 244/13
D145,680 S * 10/1946 Sebold 244/13
D148,673 S * 2/1948 Boyes 244/45 R
D162,517 S * 3/1951 Burnelli 244/13
2,752,114 A * 6/1956 Calvy B60J 5/125
244/118.3
D183,383 S * 8/1958 Projo de Asis D12/324
D190,004 S * 3/1961 Doak D12/330
D190,534 S * 6/1961 Smolinski D12/330
D192,195 S * 2/1962 Stepniewski D12/330

1 Claim, 7 Drawing Sheets



(56)

References Cited

U.S. PATENT DOCUMENTS

D196,213 S *	9/1963	Paxhia	D12/330	9,694,911 B2 *	7/2017	Bevirt	B64D 27/24
D201,892 S *	8/1965	Katz	D21/450	9,764,833 B1 *	9/2017	Tighe	B64C 29/0025
D203,283 S *	12/1965	Woods	244/13	9,783,288 B1 *	10/2017	Moore	B64C 27/322
3,360,217 A *	12/1967	Trotter	B64C 29/0033	D801,856 S *	11/2017	Zhou	D12/16.1
			244/12.4	D803,724 S *	11/2017	Zhou	D12/16.1
D217,402 S *	4/1970	Miller	D12/337	9,845,150 B2 *	12/2017	Kroo	B64C 3/56
D223,869 S *	6/1972	Hurkamp	D12/337	D808,328 S *	1/2018	Ivans	D12/328
D232,711 S *	9/1974	Kirchner	244/13	D808,329 S *	1/2018	Parks	D12/328
D239,522 S *	4/1976	Wheatley	D12/335	D809,970 S *	2/2018	Zhou	D12/16.1
D240,909 S *	8/1976	Whitener	D12/335	D810,653 S *	2/2018	Hu	D12/327
D267,794 S *	2/1983	Krojer	D12/319	9,898,033 B1 *	2/2018	Long	B64C 13/04
D292,194 S *	10/1987	Moller	D12/325	9,944,386 B1 *	4/2018	Reichert	B64C 27/08
4,746,082 A *	5/1988	Syms	B64D 47/08	D816,547 S *	5/2018	Cui	D12/16.1
			244/118.2	D816,583 S *	5/2018	Dutertre	D12/328
4,757,962 A *	7/1988	Grant	B64C 39/001	9,957,042 B1 *	5/2018	Vander Lind	B64C 29/0033
			180/116	9,975,631 B1 *	5/2018	McLaren	B64C 29/0033
4,848,702 A *	7/1989	Riggins	B64C 25/54	D821,263 S *	6/2018	Goldy	D12/16.1
			244/105	D822,579 S *	7/2018	Lienhard	D12/328
D319,805 S *	9/1991	Wiegert	D12/319	10,011,348 B1 *	7/2018	Wong	B64C 13/14
D326,255 S *	5/1992	Graham	D12/319	D824,804 S *	8/2018	Tian	D12/16.1
5,115,996 A *	5/1992	Moller	B64C 29/0025	2006/0016930 A1 *	1/2006	Pak	A63H 27/14
			239/265.19				244/12.4
D446,182 S *	8/2001	Adam, Jr.	D12/319	2008/0142643 A1 *	6/2008	Yoeli	B60V 1/06
D454,109 S *	3/2002	Moshier	D12/319				244/23 R
D493,411 S *	7/2004	Fong	D12/319	2008/0283673 A1 *	11/2008	Yoeli	B60V 1/043
D498,201 S *	11/2004	Moller	D12/319				244/23 A
D500,729 S *	1/2005	Wilding	D12/319	2010/0181414 A1 *	7/2010	Lopez, Jr.	B64C 29/0033
D500,981 S *	1/2005	Wilding	D12/319				244/12.4
D516,008 S *	2/2006	Vigneron	D12/319	2012/0043413 A1 *	2/2012	Smith	B64C 29/0033
D573,939 S *	7/2008	Las Heras	D12/319				244/12.4
D592,582 S *	5/2009	Tamm	D12/319	2012/0091257 A1 *	4/2012	Wolff	B64C 29/0033
D605,576 S *	12/2009	Posva	D12/343				244/12.4
D612,317 S *	3/2010	Stinemetze	D12/319	2012/0234968 A1 *	9/2012	Smith	B64C 29/0033
D634,257 S *	3/2011	Alexander	D12/326				244/12.3
D665,333 S *	8/2012	Oliver	D12/326	2014/0339372 A1 *	11/2014	Dekel	B64C 29/0033
D678,169 S *	3/2013	Kennelly	D12/319				244/7 R
D696,618 S *	12/2013	Wang	D12/326	2016/0144956 A1 *	5/2016	Parks	G05D 1/102
D708,272 S *	7/2014	Schmelter	D12/16.1				244/63
D717,227 S *	11/2014	Herzberger	D12/324	2016/0167780 A1 *	6/2016	Giovenga	B64C 3/385
D724,001 S *	3/2015	Garreau	D12/326				244/7 R
9,120,560 B1 *	9/2015	Armer	B64C 29/0008	2016/0200436 A1 *	7/2016	North	B64C 29/0033
D740,201 S *	10/2015	Wang	D12/326				244/7 R
D741,247 S *	10/2015	Brody	D12/326	2016/0229531 A1 *	8/2016	Robertson	B64C 29/0033
D741,751 S *	10/2015	Klaptocz	D12/16.1	2016/0236774 A1 *	8/2016	Niedzballa	B64C 27/30
D743,868 S *	11/2015	Cummings	D12/328	2016/0244158 A1 *	8/2016	Fredericks	B64C 25/52
D747,775 S *	1/2016	Colin	D12/16.1	2017/0210481 A1 *	7/2017	Bak	B64D 27/24
D751,025 S *	3/2016	Howell	D12/16.1	2017/0300065 A1 *	10/2017	Douglas	G05D 1/0676
D761,690 S *	7/2016	Friesmuth	D12/16.1	2017/0300067 A1 *	10/2017	Douglas	B64C 29/0025
D778,371 S *	2/2017	Barajas	D12/327	2017/0349281 A1 *	12/2017	Quinlan	B64C 39/024
D779,595 S *	2/2017	Xiao	D12/16.1	2017/0369161 A1 *	12/2017	Alzahrani	B64C 29/0033
D789,248 S *	6/2017	Ketcher	D12/16.1	2018/0057157 A1 *	3/2018	Groninga	B64C 27/82
				2018/0162525 A1 *	6/2018	St. Clair	B64C 29/0025
				2018/0290735 A1 *	10/2018	Uptigrove	B64C 29/0025

* cited by examiner

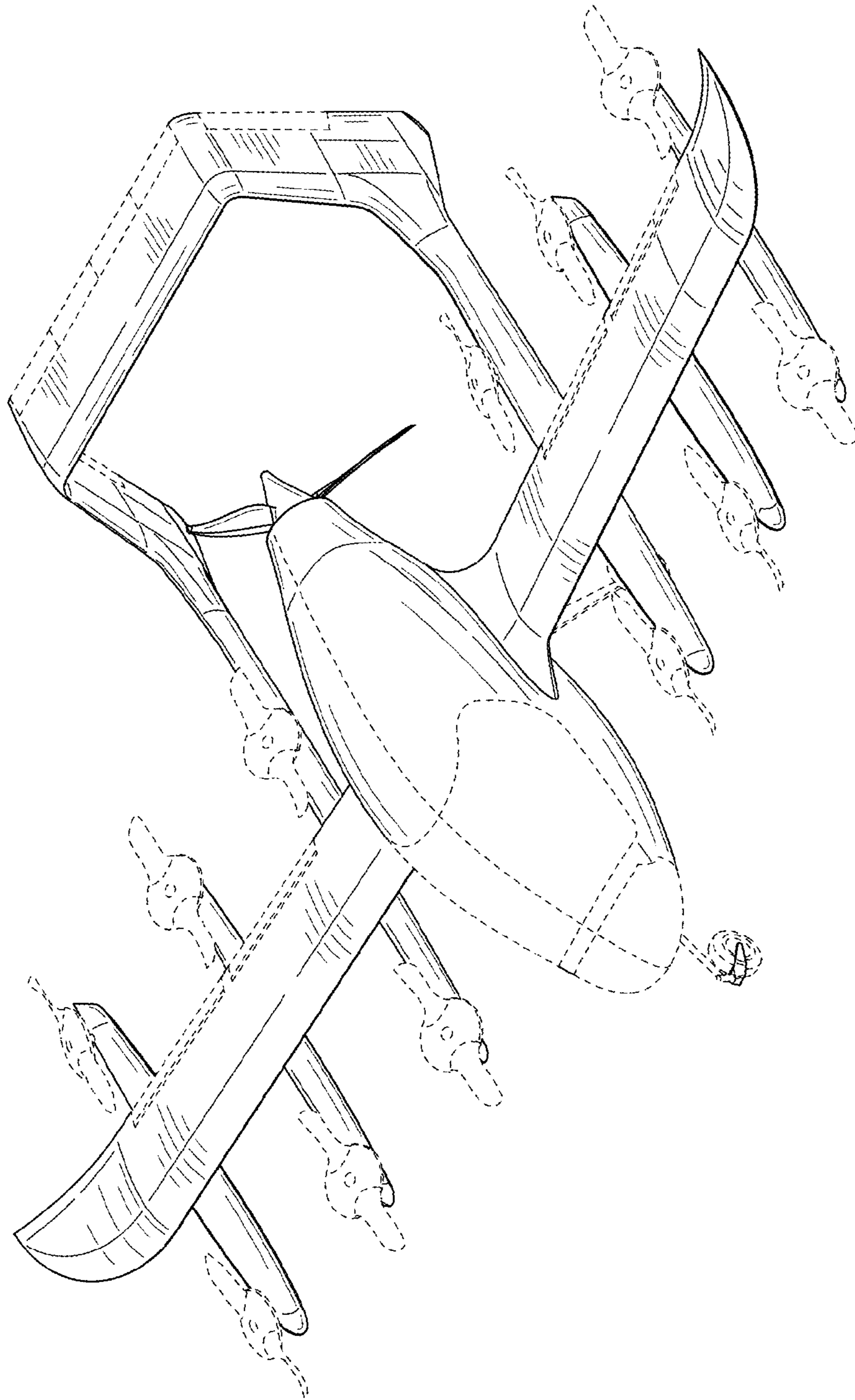


FIG. 1

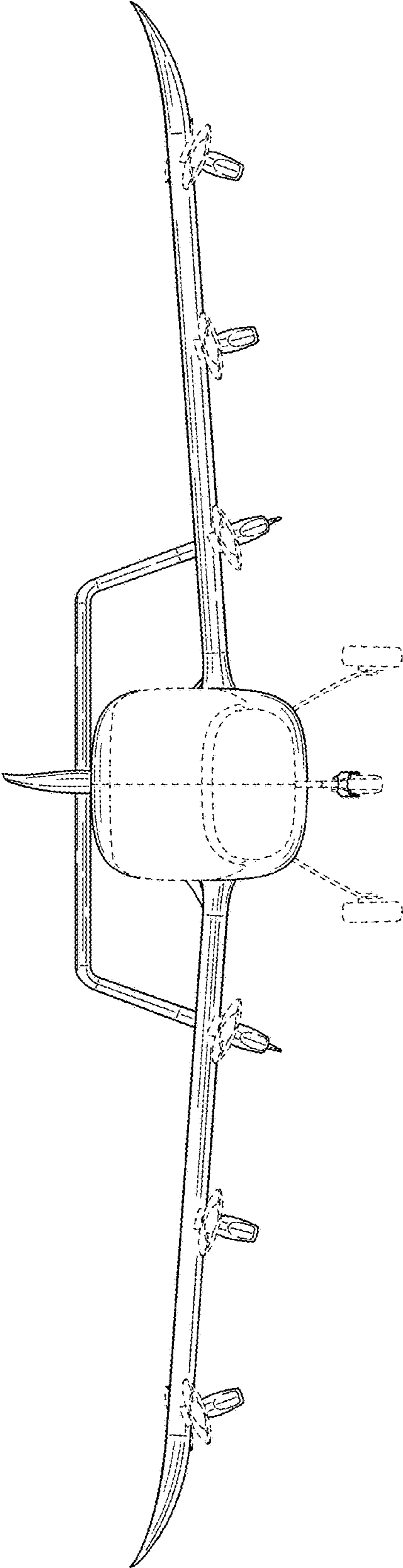


FIG. 2

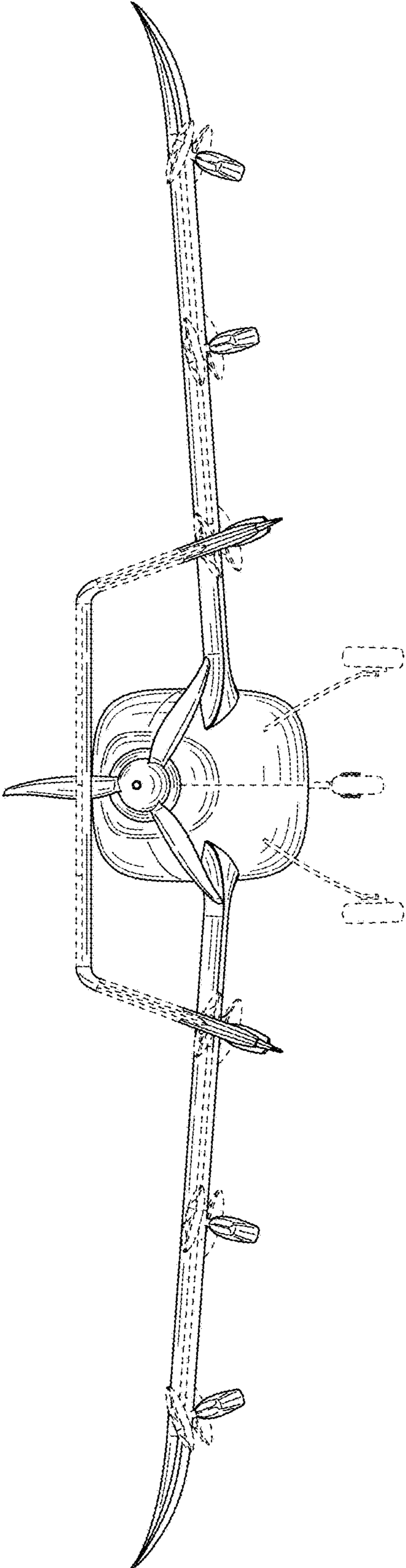


FIG. 3

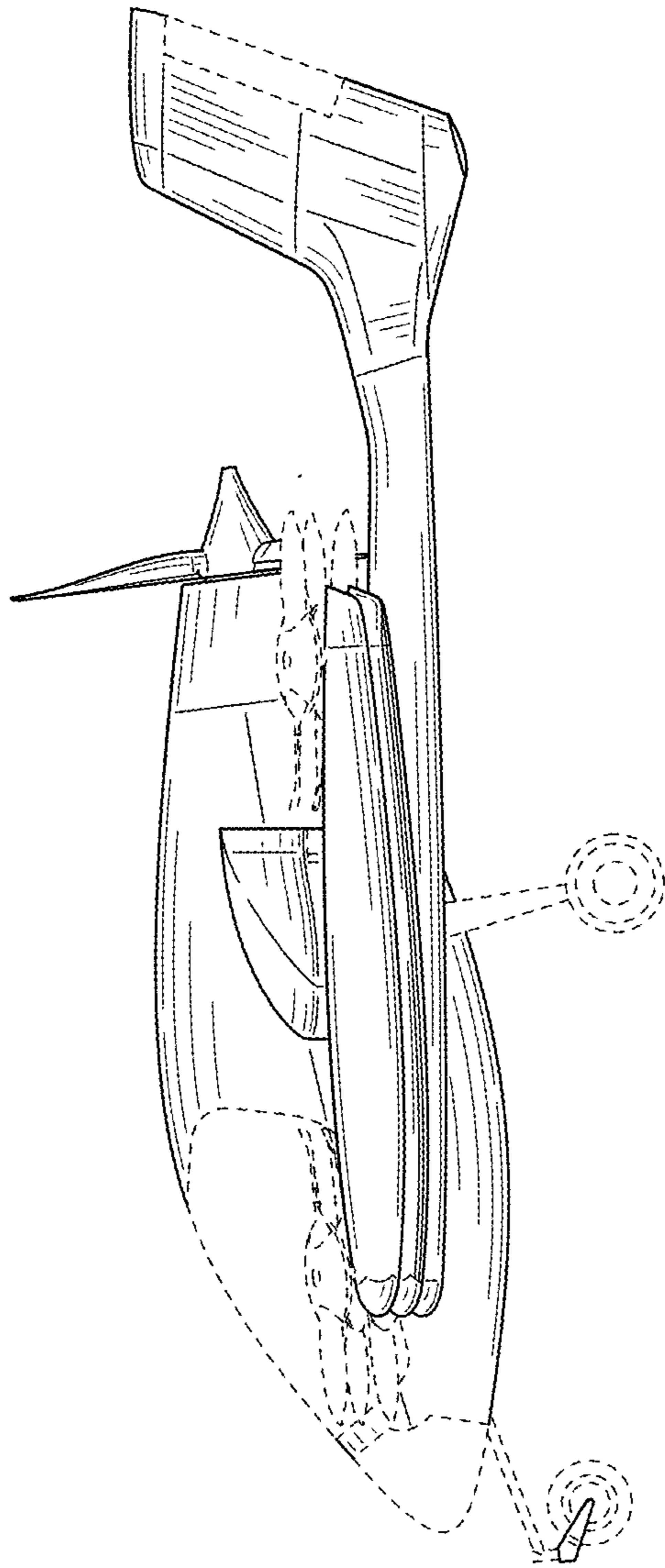


FIG. 4

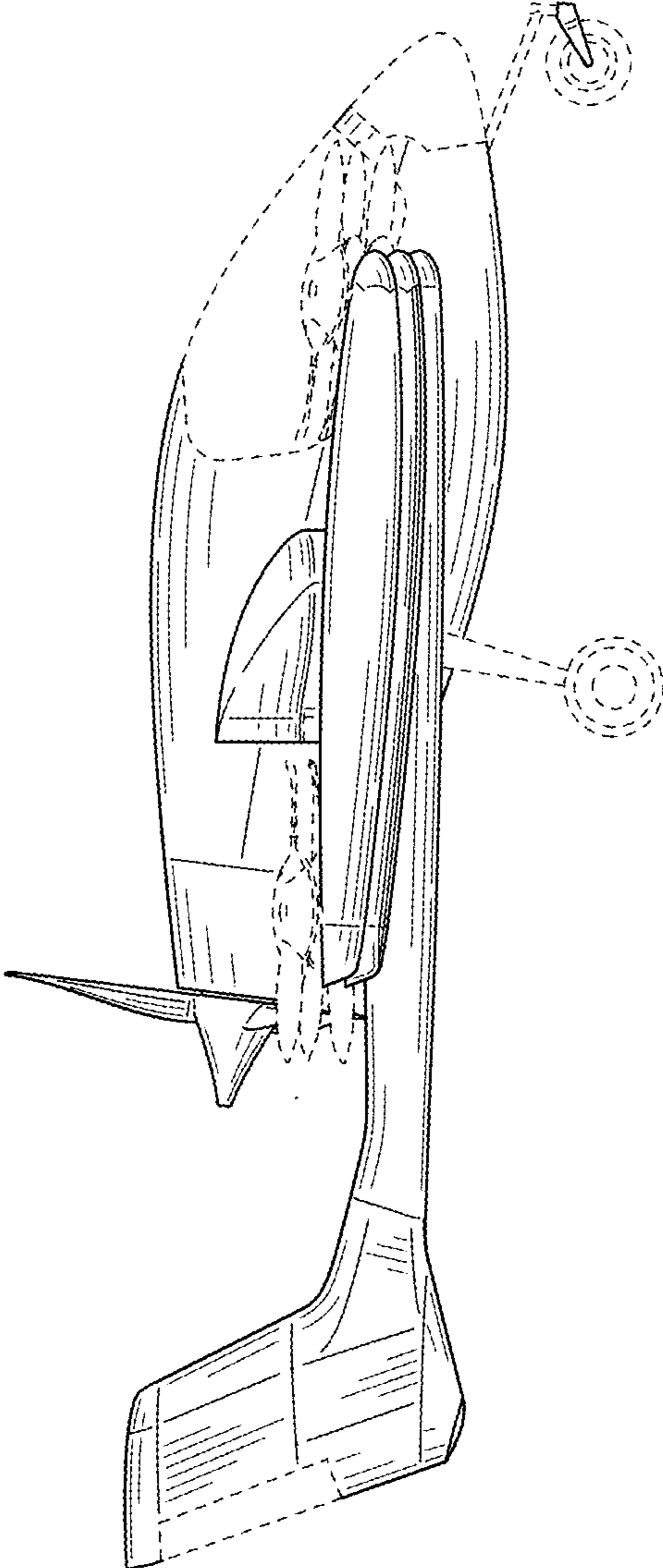


FIG. 5

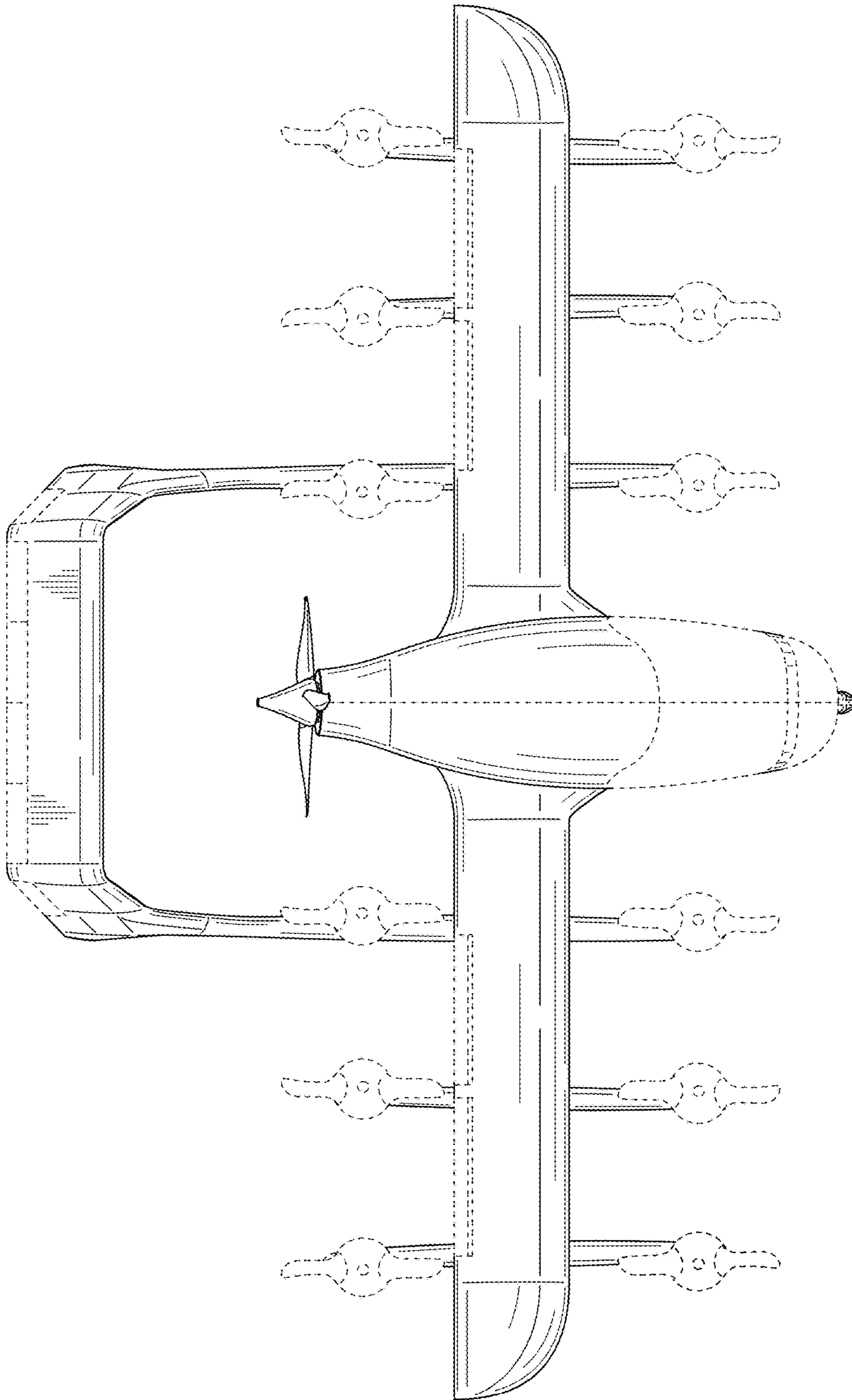


FIG. 6

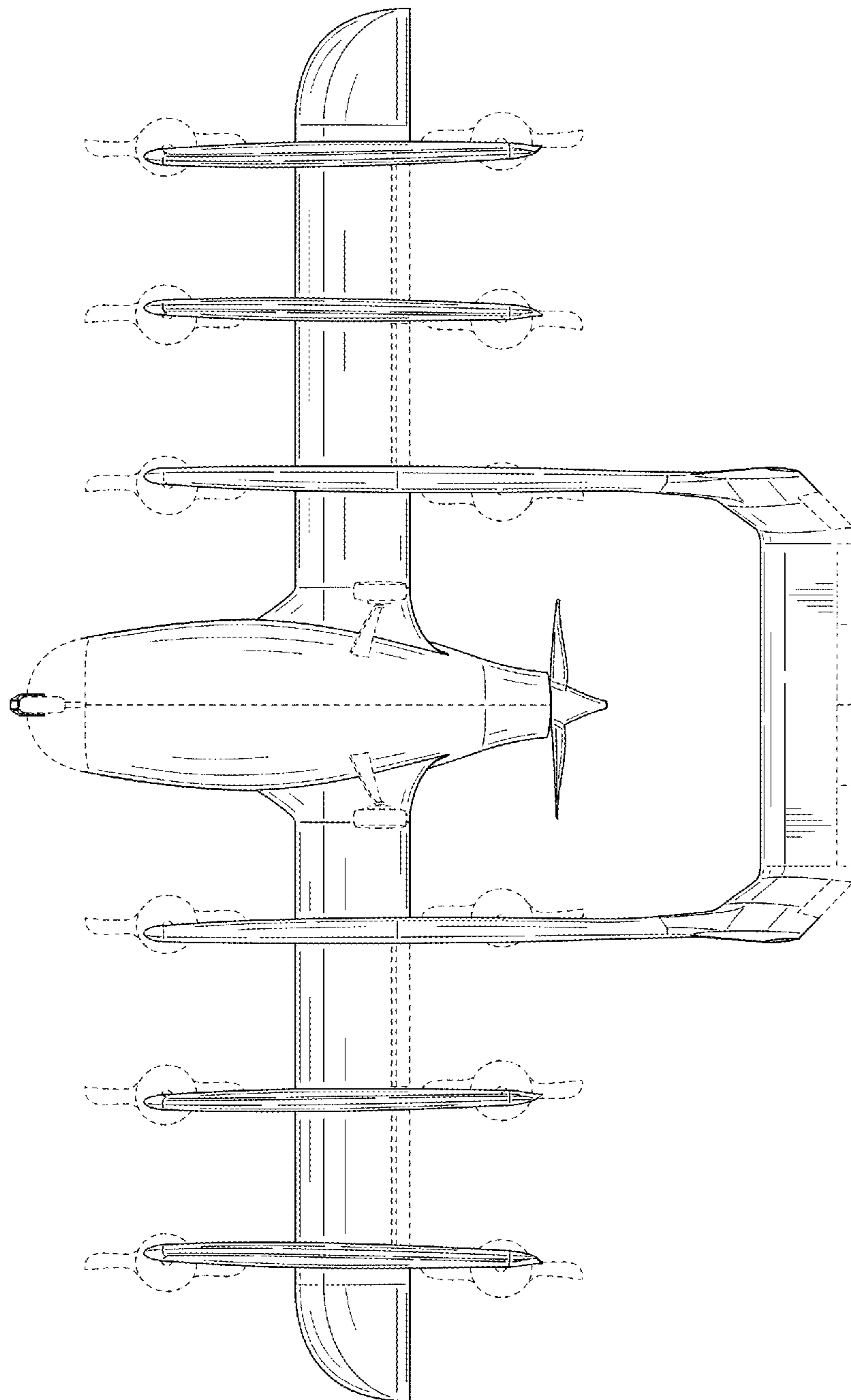


FIG. 7