



US00D843916S

(12) **United States Design Patent**
Wheel

(10) **Patent No.:** **US D843,916 S**
(45) **Date of Patent:** **** Mar. 26, 2019**

(54) **WHEEL**

(71) Applicant: **Jaguar Land Rover Limited**, Whitley,
Coventry (GB)

(72) Inventor: **Andrew Wheel**, Coventry (GB)

(73) Assignee: **Jaguar Land Rover Limited**, Whitley,
Coventry (GB)

(**) Term: **15 Years**

(21) Appl. No.: **29/603,205**

(22) Filed: **May 8, 2017**

(30) **Foreign Application Priority Data**

Nov. 11, 2016 (EM) 003459288-0006

(51) **LOC (11) Cl.** **12-16**

(52) **U.S. Cl.**
USPC **D12/211**

(58) **Field of Classification Search**
USPC D12/400, 204–213, 217, 501; D21/763,
D21/771, 779, 495, 561, 563
CPC B60B 7/00; B60B 7/02; B60B 7/04; B60B
7/01; B60B 7/06; B60B 3/02; B60B 3/04;
B60B 3/06; B60B 3/10; B60B 1/00;
B60B 1/08; B60B 1/10; B60B 1/12
See application file for complete search history.

(56) **References Cited**

U.S. PATENT DOCUMENTS

D504,382 S *	4/2005	Elmitt	D12/211
D506,967 S *	7/2005	Kamimura	D12/211
D513,728 S *	1/2006	Yazawa	D12/211
D520,933 S *	5/2006	Pfeiffer	D12/211
D525,184 S *	7/2006	Huet	D12/211
D529,854 S *	10/2006	Scheu	D12/211

D609,624 S *	2/2010	Matsubara	D12/211
D617,717 S *	6/2010	Nordmann	D12/211
D619,071 S *	7/2010	Christensen	D12/211
D619,523 S *	7/2010	Gallert	D12/209
D620,871 S *	8/2010	Juergens	D12/211
D627,286 S *	11/2010	Gallert	D12/209
D628,948 S *	12/2010	Chung	D12/211
D634,692 S *	3/2011	Stefanov	D12/211
D635,077 S *	3/2011	Nordmann	D12/209
D639,225 S *	6/2011	Forschner	D12/211
D668,198 S *	10/2012	Platto	D12/211
D671,060 S *	11/2012	Baum	D12/209
D686,965 S *	7/2013	Pollmann	D12/211
D695,198 S *	12/2013	Juergens	D12/211
D705,152 S *	5/2014	Nakamura	D12/209
D707,165 S *	6/2014	Wheel	D12/209
D738,281 S *	9/2015	Watkin	D12/211
D739,329 S *	9/2015	Watkin	D12/211
D745,842 S *	12/2015	Wheel	D12/209
D774,435 S *	12/2016	Vartola	D12/209
D782,951 S *	4/2017	Bjerke	D12/209
D783,497 S *	4/2017	Vartola	D12/211
D786,767 S *	5/2017	Bjerke	D12/209

(Continued)

Primary Examiner — Marie D. Fast Horse

(74) *Attorney, Agent, or Firm* — Wood Herron & Evans
LLP

(57) **CLAIM**

The ornamental design for a wheel, as shown and described.

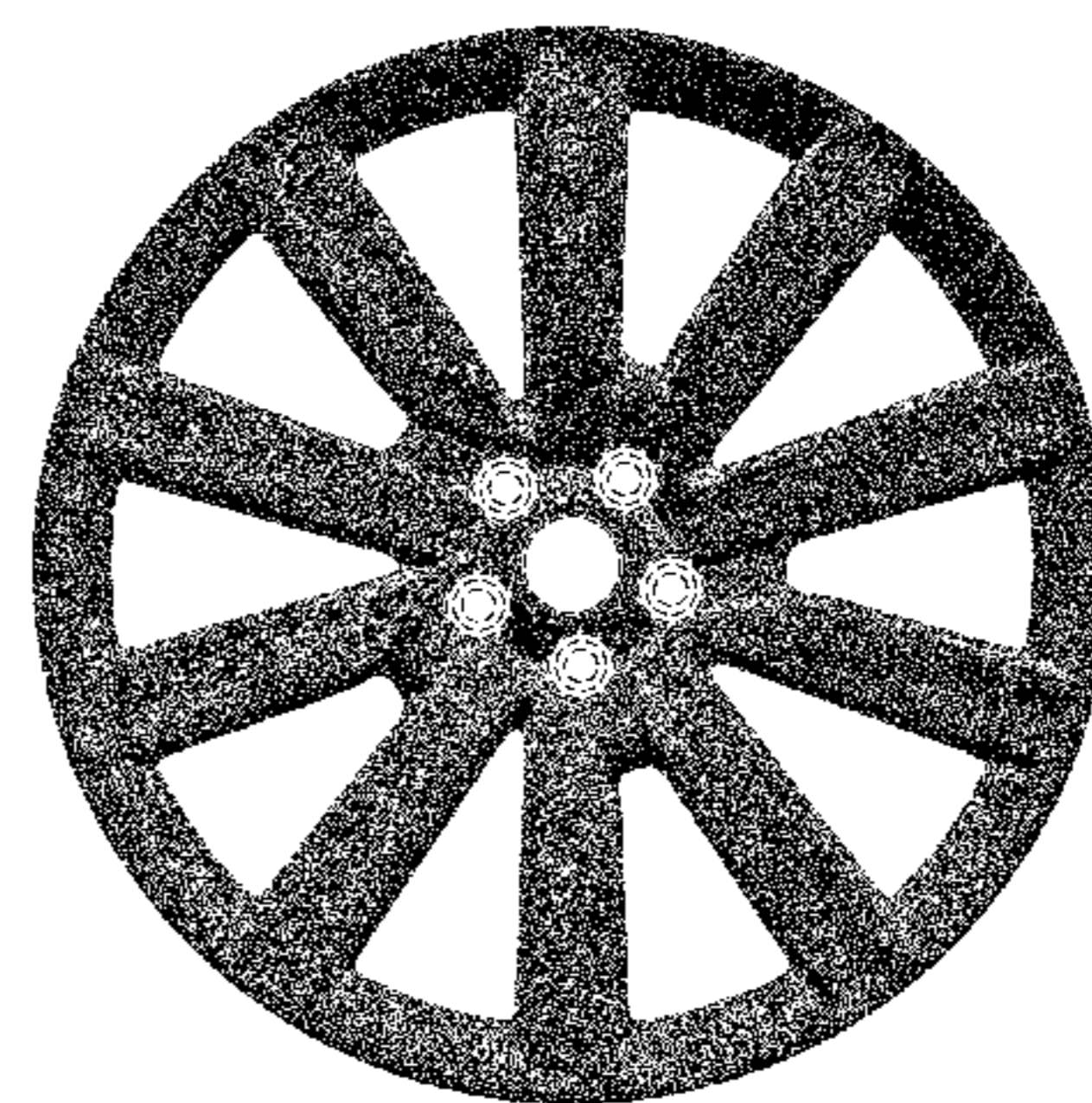
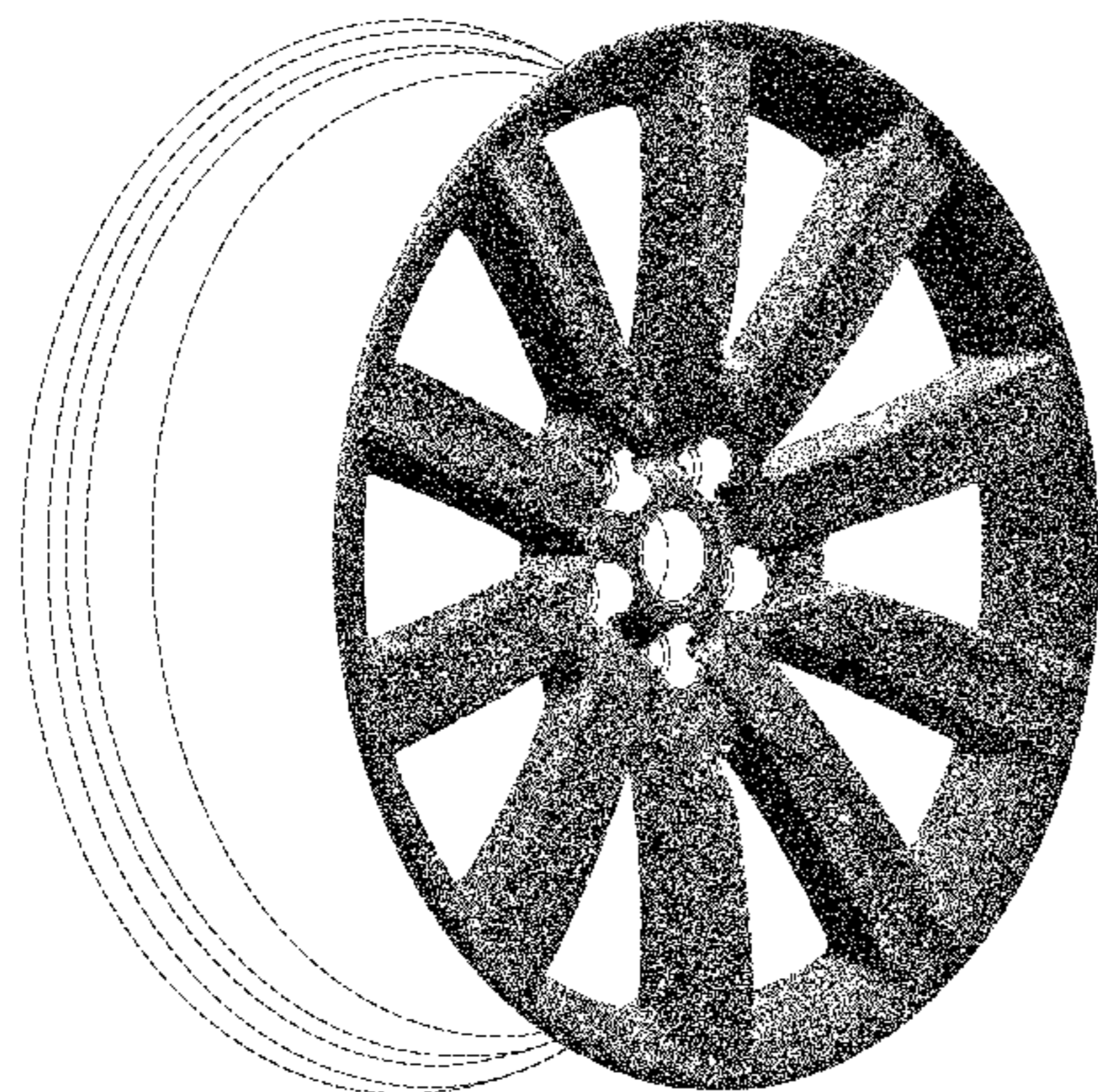
DESCRIPTION

FIG. 1 is a front left perspective view of a wheel for a vehicle according to the present invention.

FIG. 2 is a front view of the wheel shown in FIG. 1; and, FIG. 3 is a left side view thereof, the right side being a mirror image thereof.

The broken lines in the drawings showing the rear portion of the wheel, the bolt holes, and the center hole depict portions of the wheel that form no part of the claimed design.

1 Claim, 2 Drawing Sheets



(56)

References Cited

U.S. PATENT DOCUMENTS

D787,411 S	*	5/2017	Peat	D12/211
D789,866 S	*	6/2017	Giolito	D12/211
D798,787 S	*	10/2017	Song	D12/211
D817,840 S	*	5/2018	Chung	D12/209
D826,821 S	*	8/2018	Woodhouse	D12/209

* cited by examiner

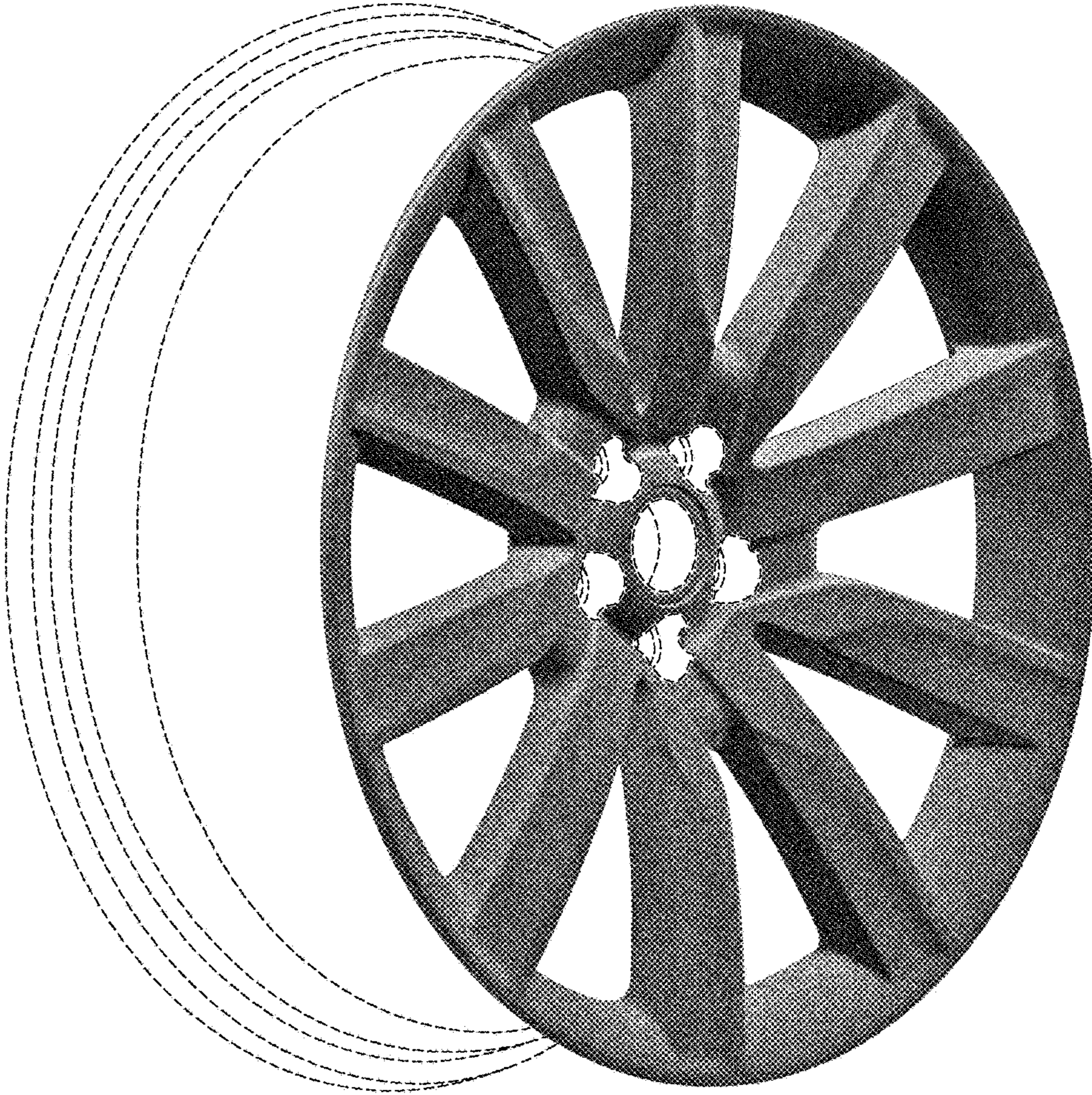


FIG. 1

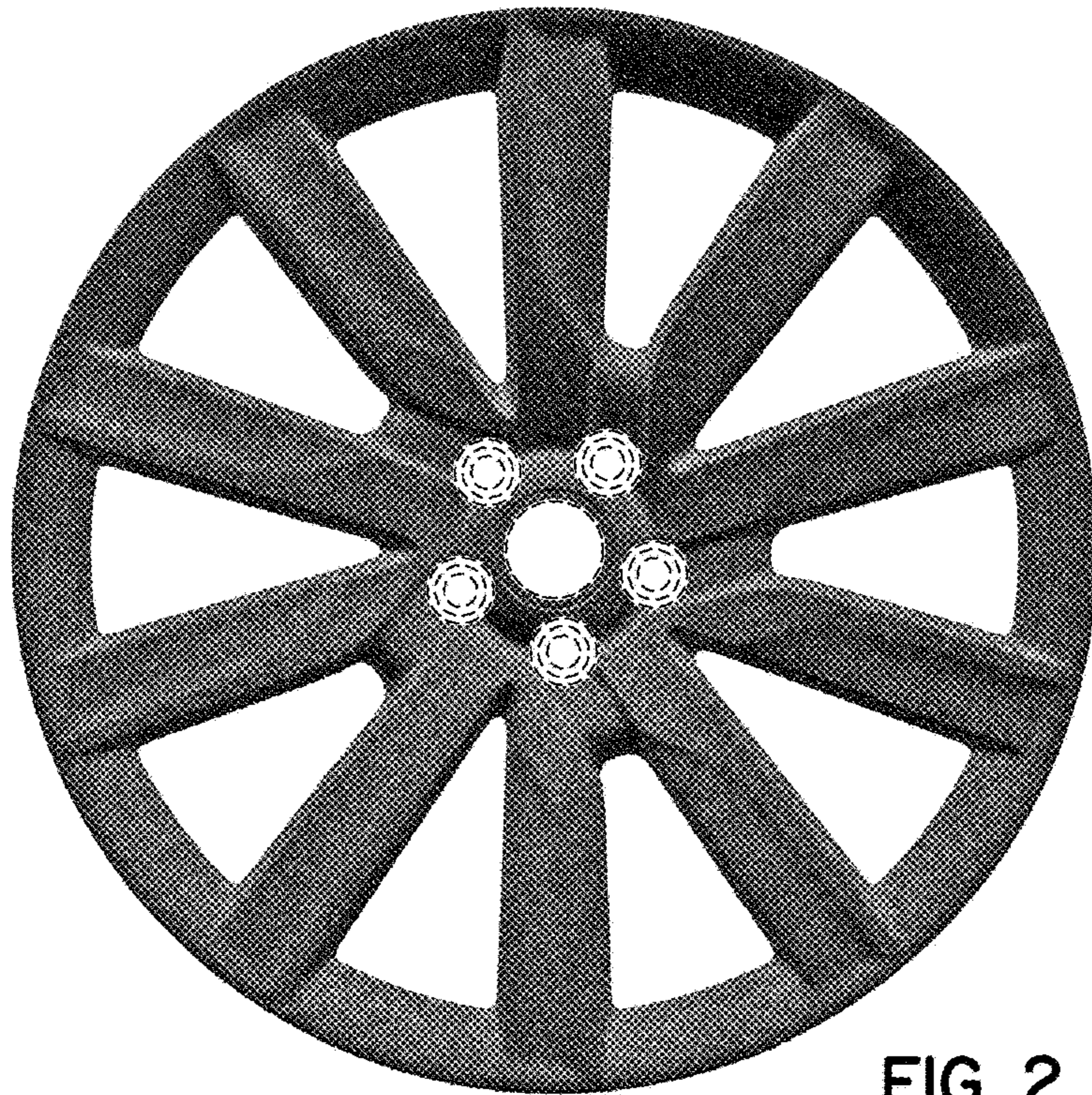


FIG. 2

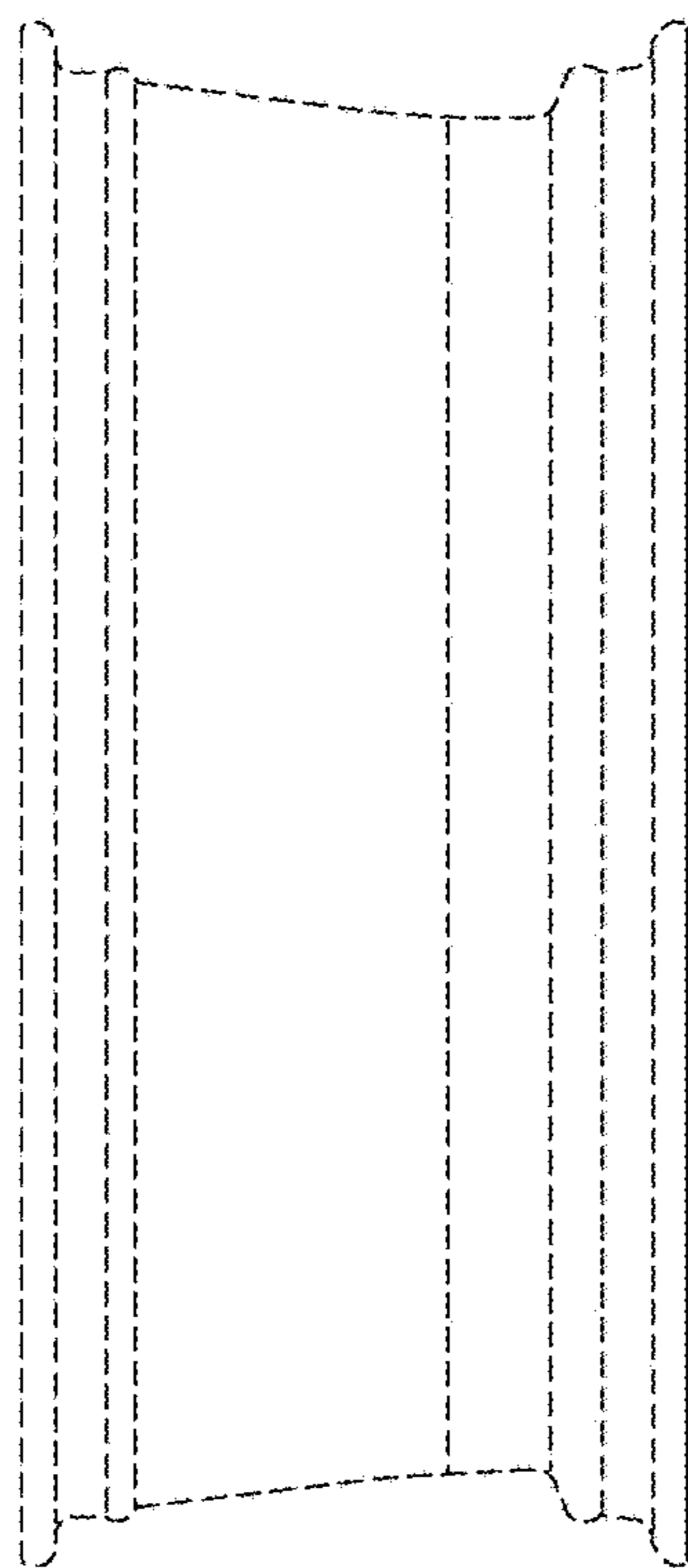


FIG. 3