



US00D843908S

(12) **United States Design Patent**  
**Mosingo**

(10) **Patent No.:** **US D843,908 S**

(45) **Date of Patent:** **\*\* Mar. 26, 2019**

- (54) **TRUCK RUNNING BOARD**
- (71) Applicant: **N-Fab, Inc.**, Houston, TX (US)
- (72) Inventor: **Robert Mosingo**, Saline, MI (US)
- (73) Assignee: **N-Fab, Inc.**, Houston, TX (US)
- (\*\*) Term: **15 Years**
- (21) Appl. No.: **29/624,102**
- (22) Filed: **Oct. 30, 2017**
- (51) **LOC (11) Cl.** ..... **12-16**
- (52) **U.S. Cl.**  
USPC ..... **D12/203**
- (58) **Field of Classification Search**  
USPC ..... D12/203, 89, 98, 314, 162, 190, 196  
CPC .. B60R 3/002; B60R 3/02; B60R 3/00; B60R  
3/005; B60R 3/007  
See application file for complete search history.

- D731,384 S \* 6/2015 Farr ..... D12/203
- D737,188 S \* 8/2015 Perkins ..... D12/203
- D738,803 S \* 9/2015 Zhu ..... D12/203
- D739,801 S \* 9/2015 Bundy ..... D12/203
- D789,857 S \* 6/2017 Hare ..... D12/203
- D789,858 S \* 6/2017 Hare ..... D12/203
- D794,525 S \* 8/2017 Chen ..... D12/203

\* cited by examiner

*Primary Examiner* — Michelle E. Wilson

*Assistant Examiner* — Clese Moore, Jr.

(74) *Attorney, Agent, or Firm* — Harness, Dickey & Pierce, P.L.C.

(57) **CLAIM**

The ornamental design for a truck running board, as shown and described.

**DESCRIPTION**

FIG. 1 is a perspective view of the truck running board design;  
 FIG. 2 is a top plan view thereof;  
 FIG. 3 is a front elevation view thereof;  
 FIG. 4 is a bottom plan view thereof;  
 FIG. 5 is a rear elevation view thereof;  
 FIG. 6 is a right side elevation view thereof; and,  
 FIG. 7 is a left side elevation view thereof.

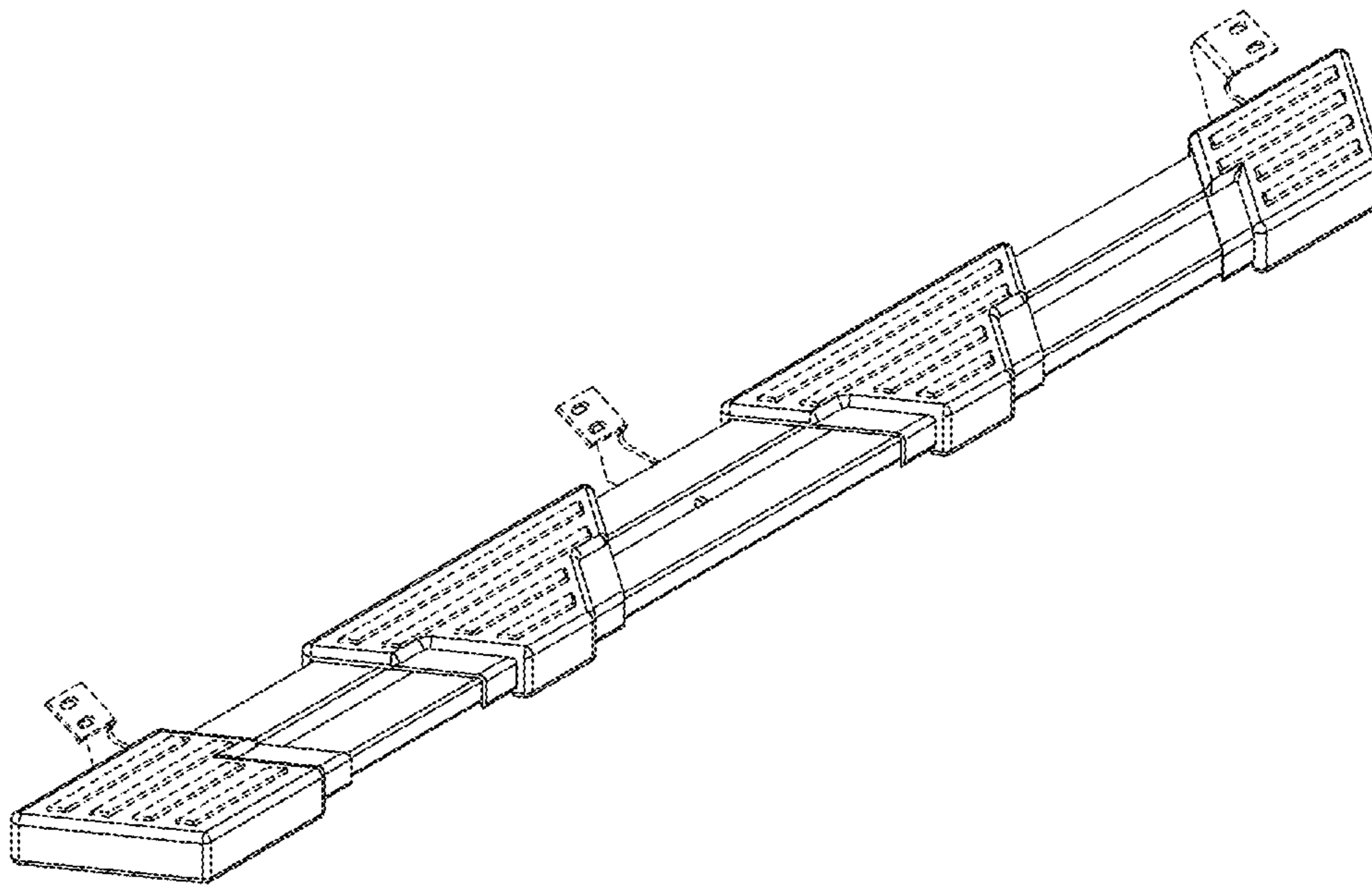
The design consists of visual features shown in solid lines in the drawings. For example, the features shown in broken lines form no part of the claimed design.

**1 Claim, 4 Drawing Sheets**

(56) **References Cited**

**U.S. PATENT DOCUMENTS**

- D496,898 S \* 10/2004 Metros ..... D12/203
- D513,725 S \* 1/2006 Metros ..... D12/203
- D514,492 S \* 2/2006 Metros ..... D12/203
- D535,928 S \* 1/2007 Crandall ..... D12/203
- D632,627 S \* 2/2011 Huang-Tsai ..... D12/203
- D676,368 S \* 2/2013 Cover ..... D12/203
- 8,448,968 B1 \* 5/2013 Grote ..... B60R 3/002  
280/163
- D720,674 S \* 1/2015 Stanesic ..... D12/203



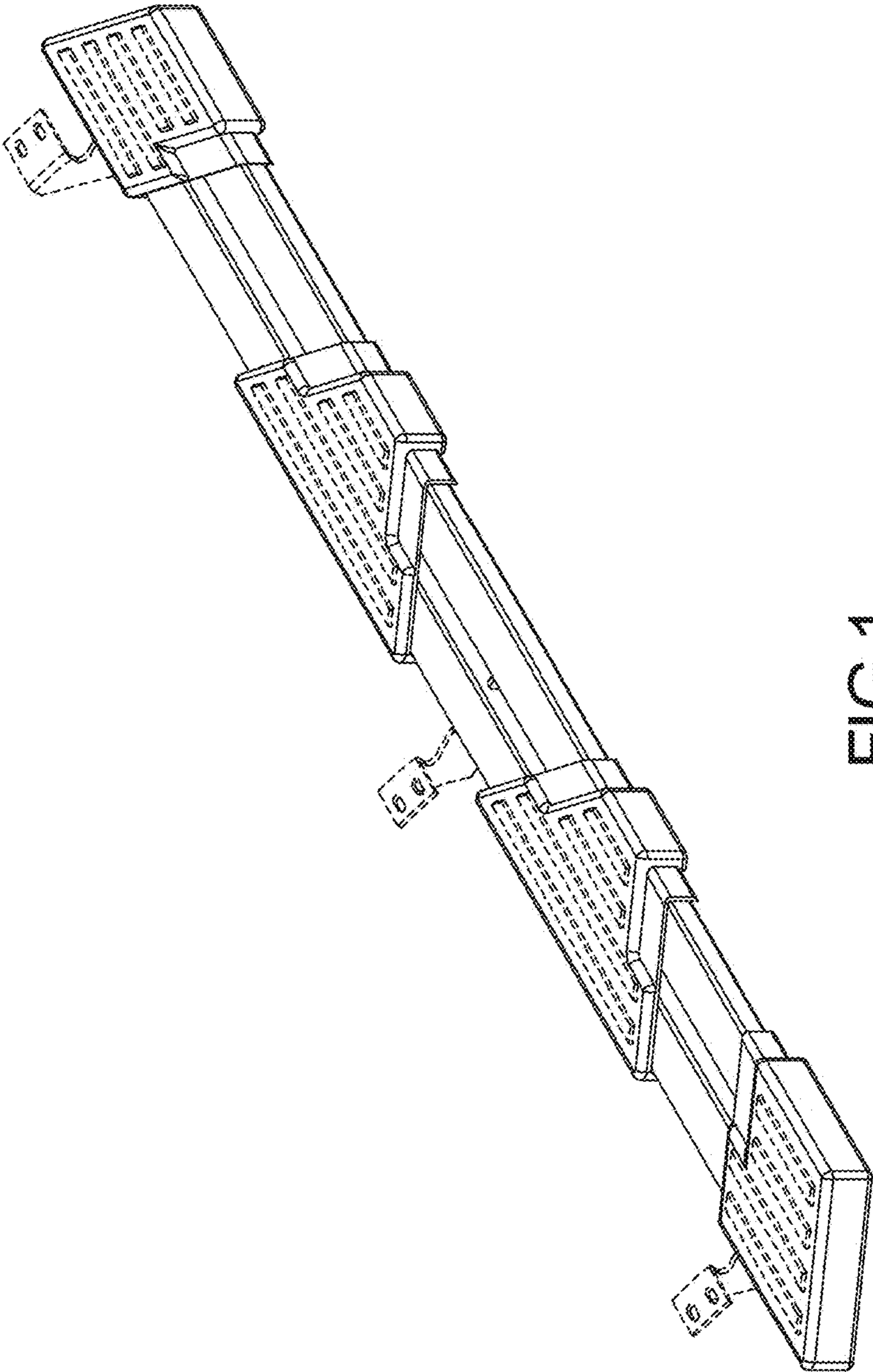


FIG 1

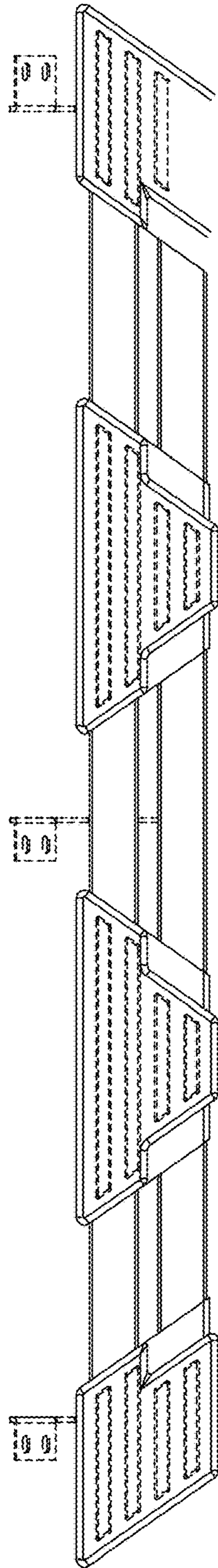


FIG 2

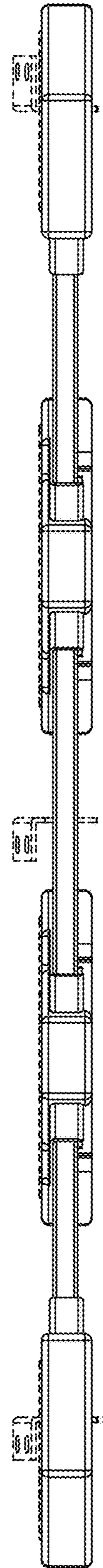


FIG 3

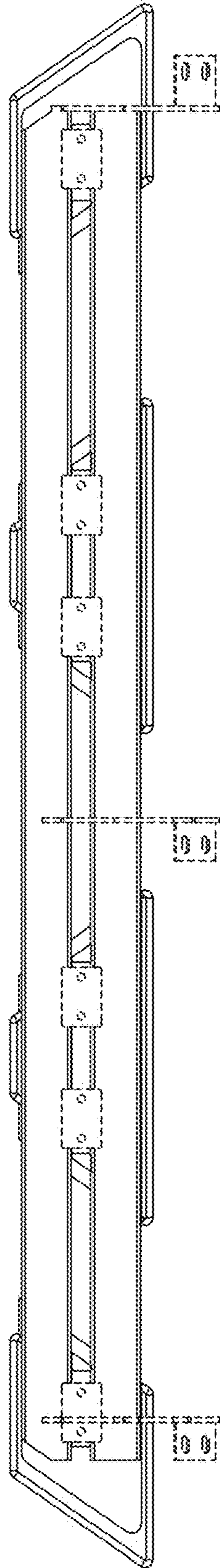


FIG 4

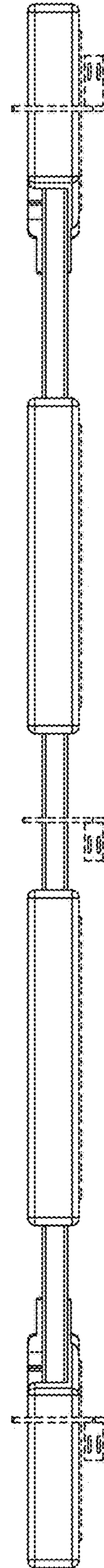


FIG 5

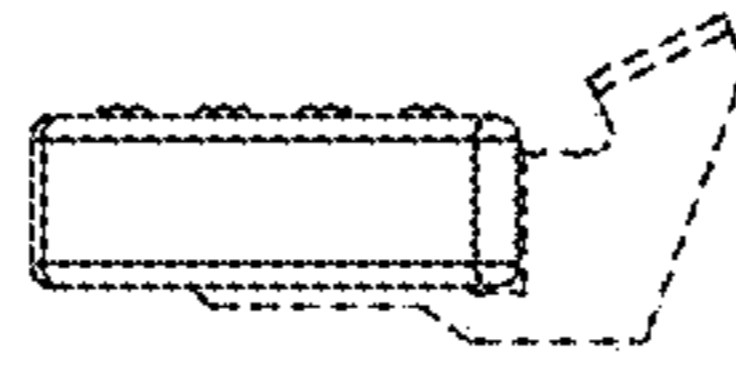


FIG 6

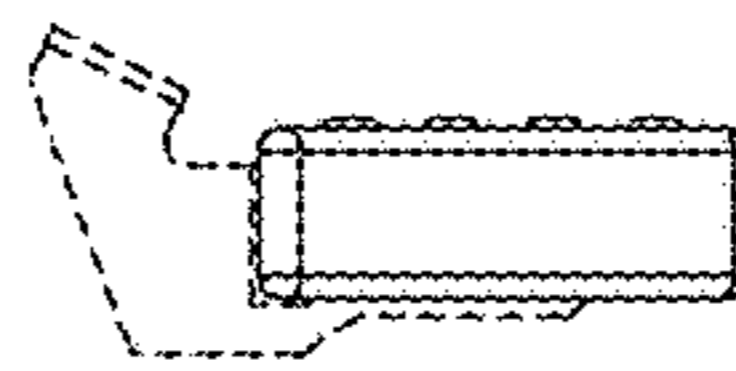


FIG 7