



US00D843902S

(12) **United States Design Patent**
Saporito

(10) **Patent No.:** **US D843,902 S**

(45) **Date of Patent:** **** Mar. 26, 2019**

(54) **REAR WINDOW VALENCE**

(71) Applicant: **Stephen Saporito**, Rockledge, FL (US)

(72) Inventor: **Stephen Saporito**, Rockledge, FL (US)

(**) Term: **15 Years**

(21) Appl. No.: **29/636,694**

(22) Filed: **Feb. 9, 2018**

(51) **LOC (11) Cl.** **12-08**

(52) **U.S. Cl.**
USPC **D12/183; D12/190**

(58) **Field of Classification Search**
USPC D12/183, 182, 190, 191
CPC B60J 3/02; B60J 3/0208; B60J 1/20; B60J
1/2005; B60J 1/2002; B60J 3/0204
See application file for complete search history.

(56) **References Cited**

U.S. PATENT DOCUMENTS

D504,854 S * 5/2005 Hicks D12/191
D548,657 S * 8/2007 Eskandry D12/183
D556,104 S 11/2007 Saporito

D559,161 S * 1/2008 Leal D12/183
D725,560 S * 3/2015 Mays D12/183
D733,020 S * 6/2015 Queen D12/183
D735,628 S * 8/2015 Eskandry D12/183
D757,618 S * 5/2016 Richardson D12/183
D776,587 S * 1/2017 Nussbaumer D12/183
D793,308 S * 8/2017 Lewis D12/183
D797,622 S * 9/2017 Taylor D12/183

* cited by examiner

Primary Examiner — Katrina A Betton

(74) *Attorney, Agent, or Firm* — Brian S. Steinberger;
Law Office of Brian S. Steinberger

(57) **CLAIM**

The ornamental design for a rear window valence, as shown and described.

DESCRIPTION

FIG. 1 is a top view of the novel rear window valence.
FIG. 2 is a front perspective view of the rear window valence of FIG. 1.
FIG. 3 is a top front right perspective view of the rear window valence of FIG. 1; and
FIG. 4 is a right side view of the rear window valence of FIG. 1.

1 Claim, 4 Drawing Sheets

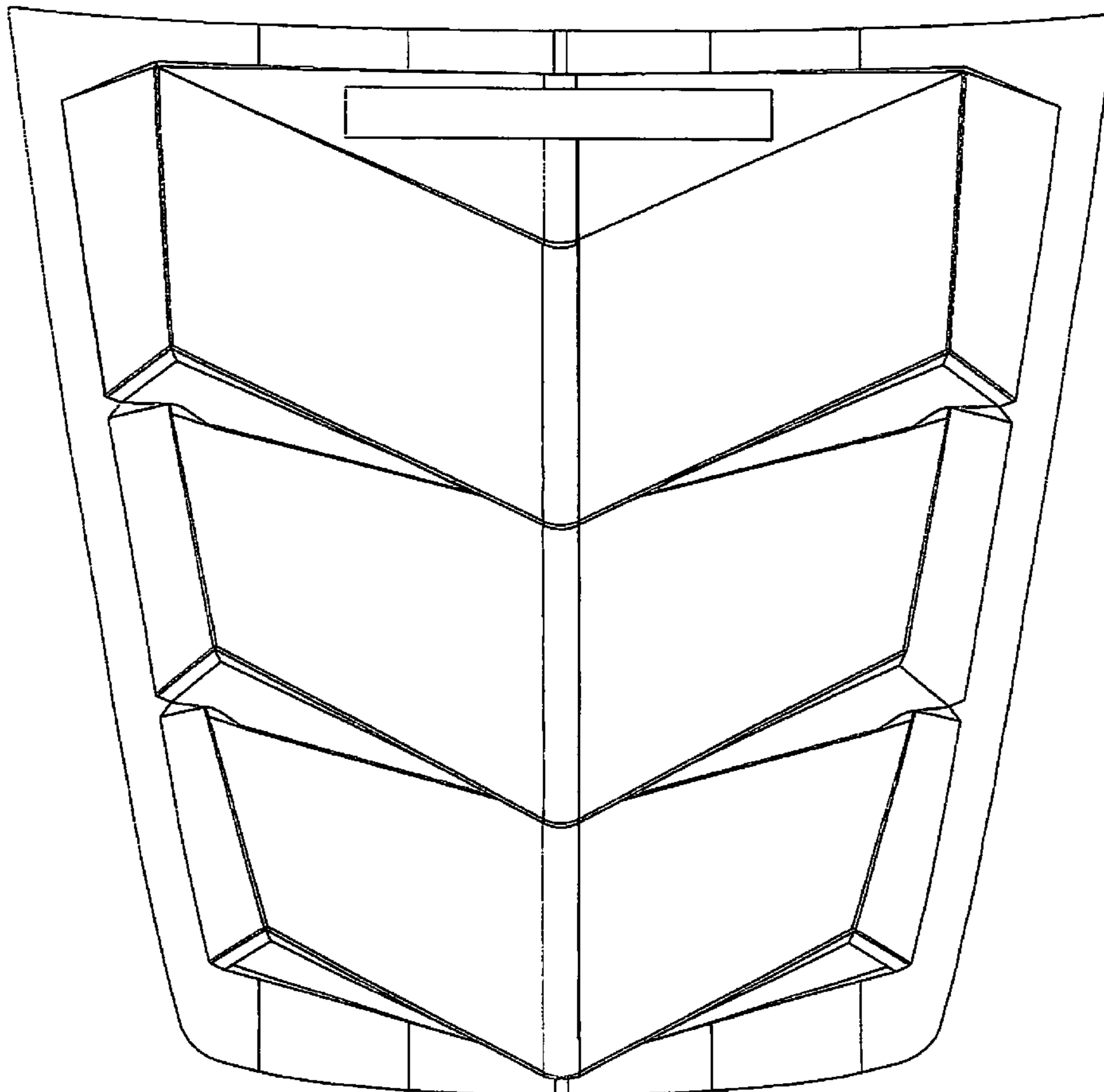


FIG. 1

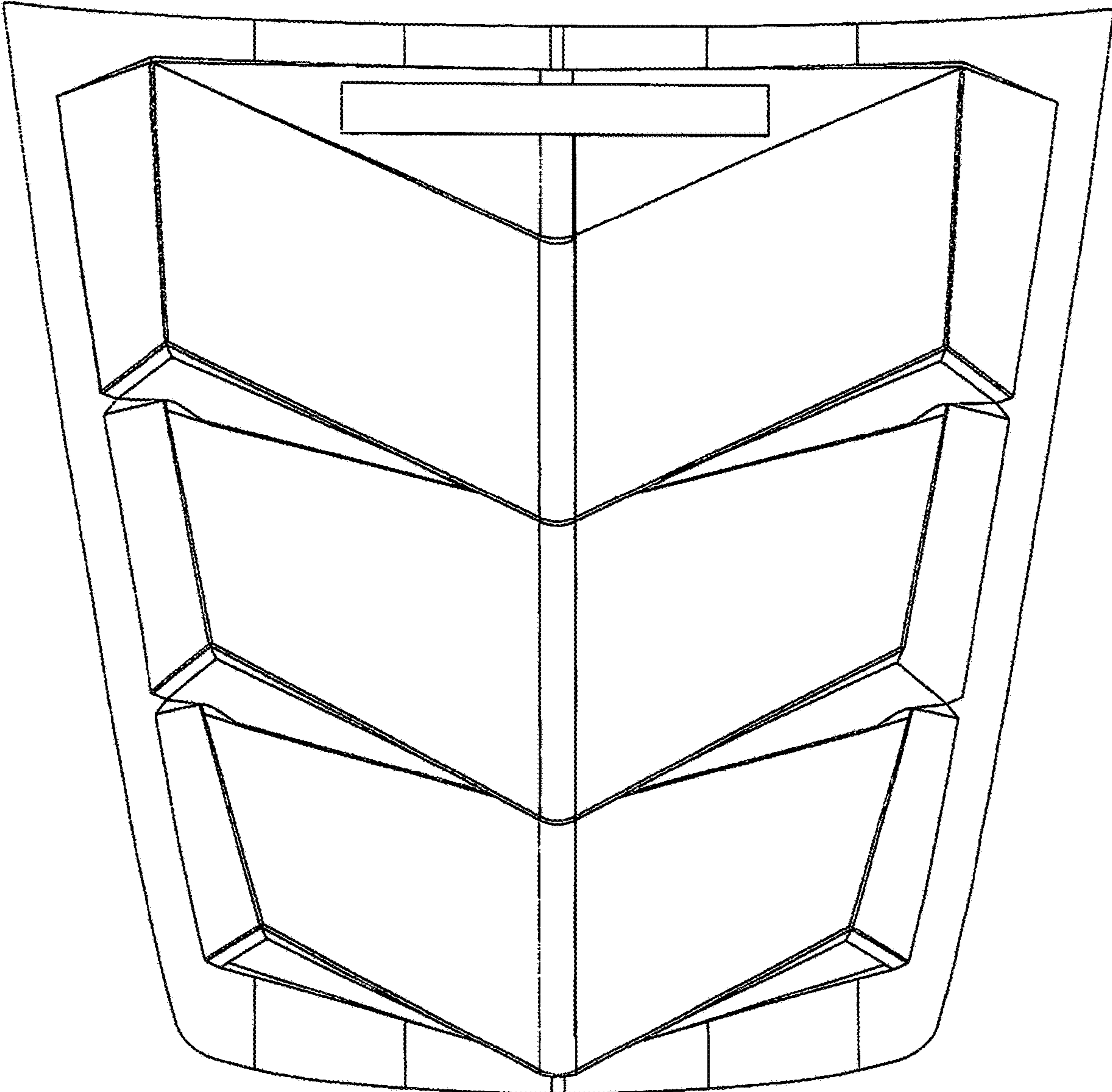


FIG. 2

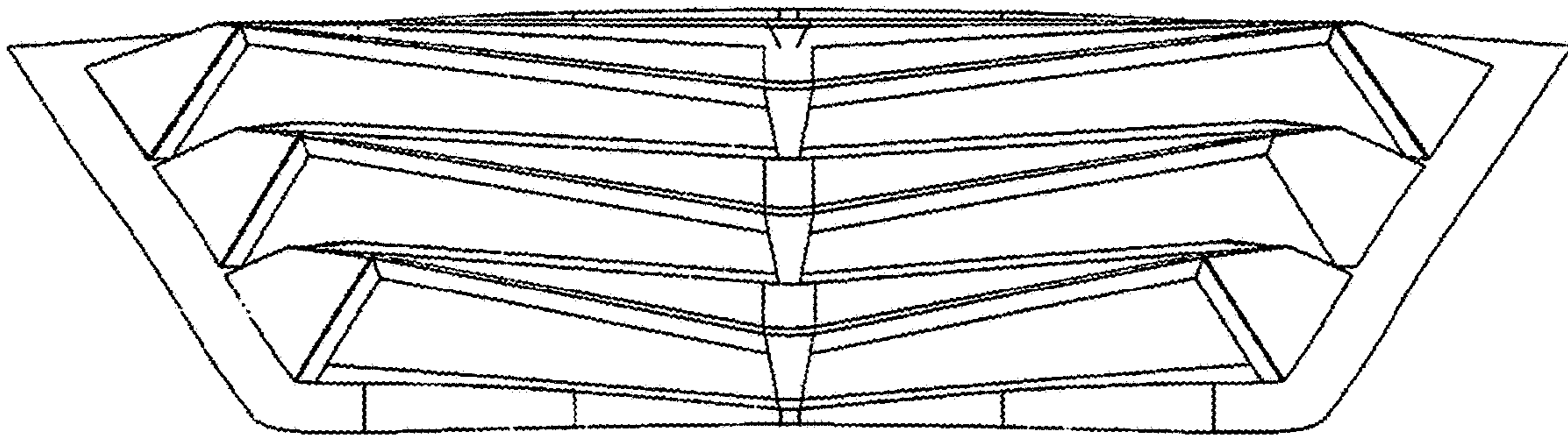


FIG. 3

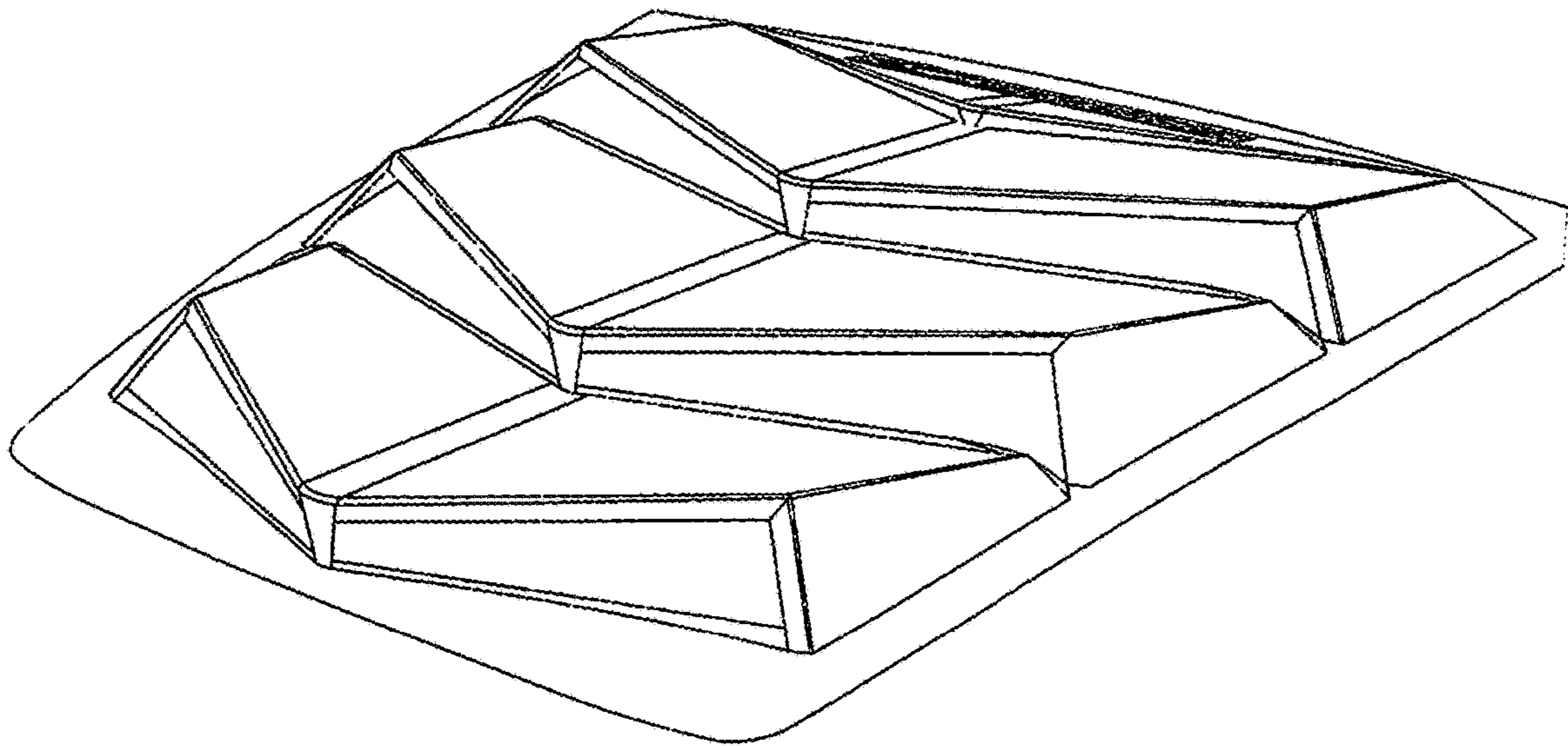


FIG. 4

