



US00D843900S

(12) **United States Design Patent**
Basmanov et al.

(10) **Patent No.:** **US D843,900 S**
(45) **Date of Patent:** **** Mar. 26, 2019**

(54) **FRONT BUMPER FOR AUTOMOBILE**
(71) Applicant: **Nissan Motor Co., Ltd.**, Yokohama,
Kanagawa (JP)
(72) Inventors: **Andrey Basmanov**,
Boulogne-Billancourt (FR); **Junichi**
Nishikubo, Kanagawa (JP)
(73) Assignee: **Nissan Motor Co., Ltd.**, Yokohama
(JP)

D824,815 S * 8/2018 Nakajima D12/169
D829,617 S * 10/2018 Takamatsu D12/169
D829,618 S * 10/2018 Kamahara D12/169
D829,620 S * 10/2018 Lim D12/169
D830,250 S * 10/2018 Tomita D12/169

* cited by examiner

Primary Examiner — Melody N Brown

(**) Term: **15 Years**
(21) Appl. No.: **29/639,169**
(22) Filed: **Mar. 5, 2018**

(57) **CLAIM**

The ornamental design for a front bumper for an automobile,
as shown and described.

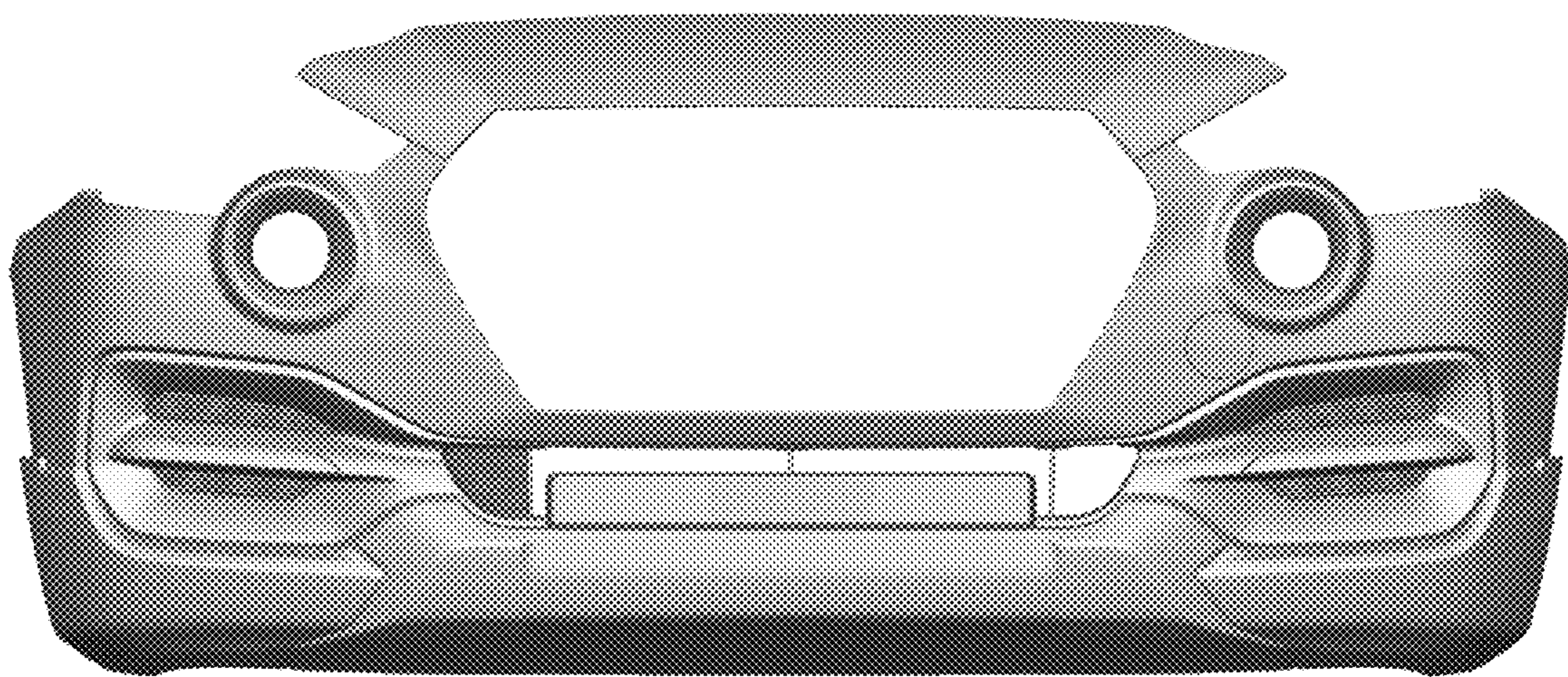
(30) **Foreign Application Priority Data**
Sep. 6, 2017 (JP) 2017-019336
(51) **LOC (11) Cl.** **12-16**
(52) **U.S. Cl.**
USPC **D12/169**
(58) **Field of Classification Search**
USPC D12/169; 293/102, 113, 115, 117, 120;
296/180.1, 180.2
CPC B60R 19/02; B60R 19/04; B62D 25/08
See application file for complete search history.

DESCRIPTION

FIG. 1 is a front elevational view of a front bumper for an automobile in accordance with our new design;
FIG. 2 is a top plan view thereof;
FIG. 3 is a bottom plan view thereof;
FIG. 4 is a left side elevational view thereof;
FIG. 5 is a right side elevational view thereof;
FIG. 6 is a bottom, front and left side perspective view thereof; and,
FIG. 7 is a top, front and right side perspective view thereof. The rear view of the front bumper forms no part of the claimed design. The inside surfaces of the front bumper, shown in broken lines in FIGS. 2, 3 and 7, form no part of the claimed design since the inside surfaces are hidden when the front bumper is mounted to the automobile.

(56) **References Cited**
U.S. PATENT DOCUMENTS
D800,035 S * 10/2017 Takamatsu D12/169
D823,748 S * 7/2018 Sunhwan D12/169

1 Claim, 7 Drawing Sheets



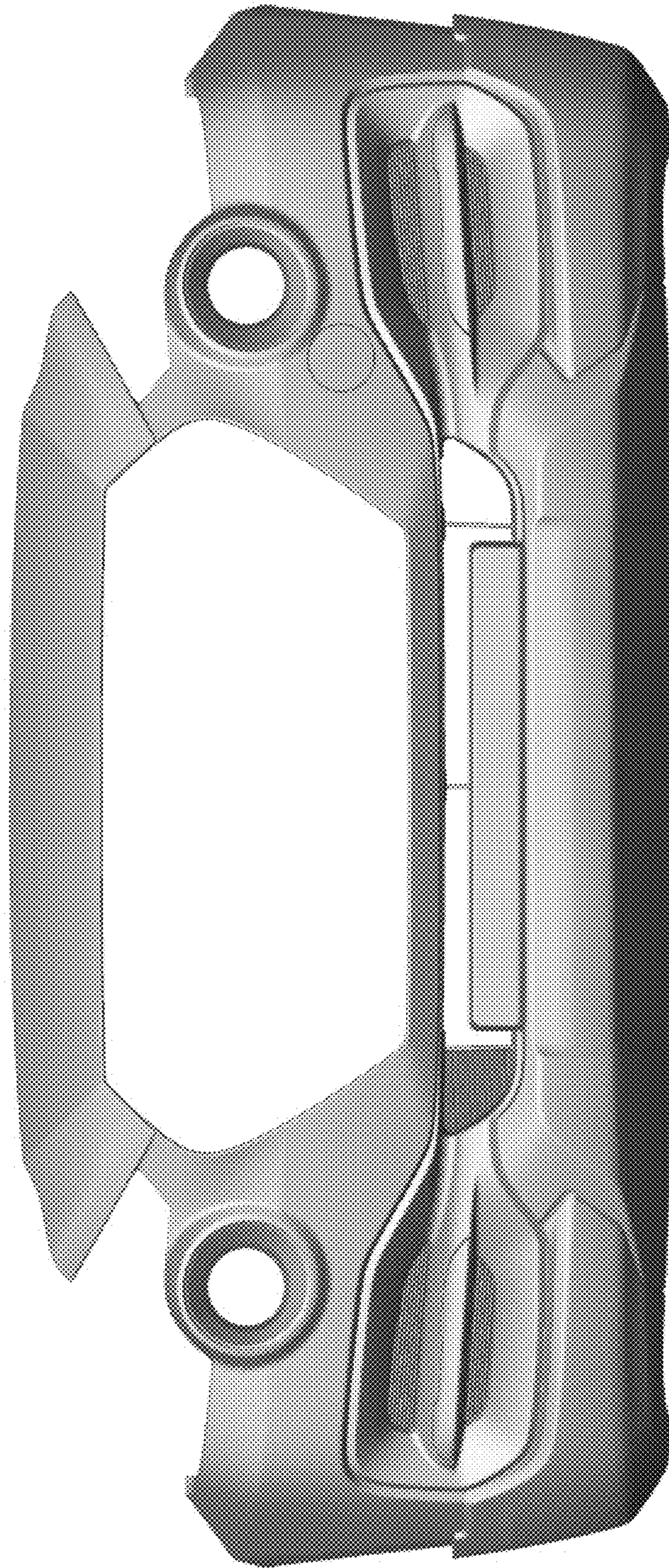


FIG. 1

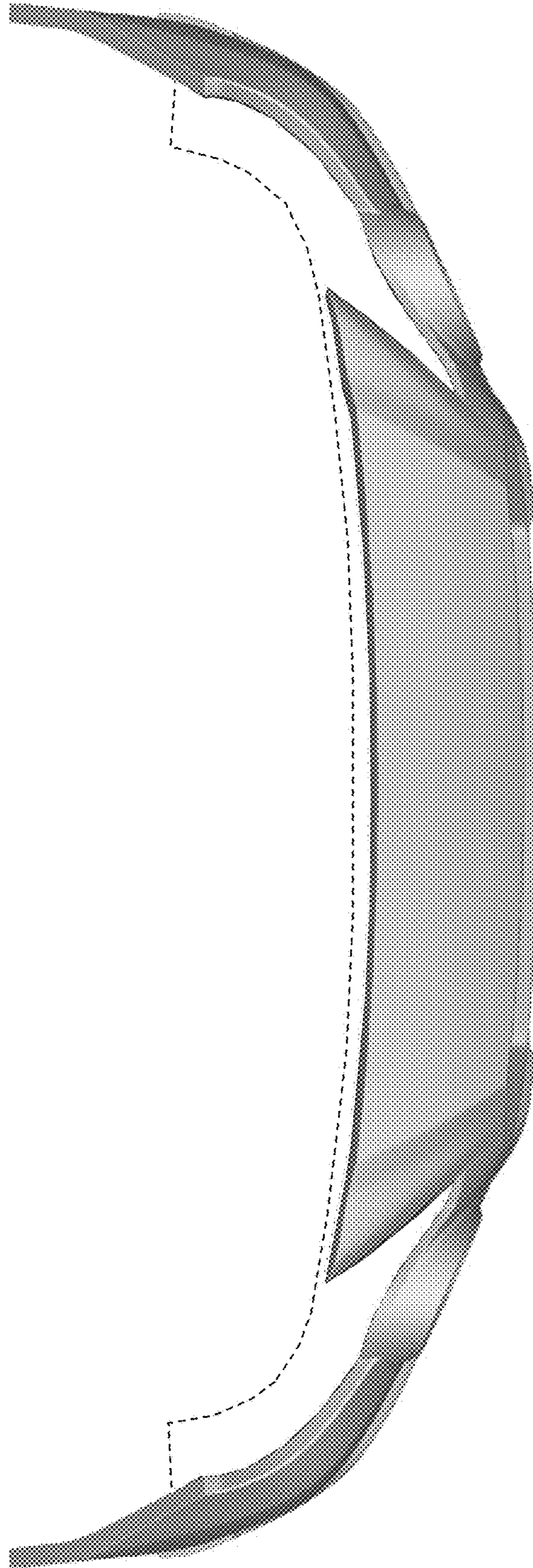


FIG. 2

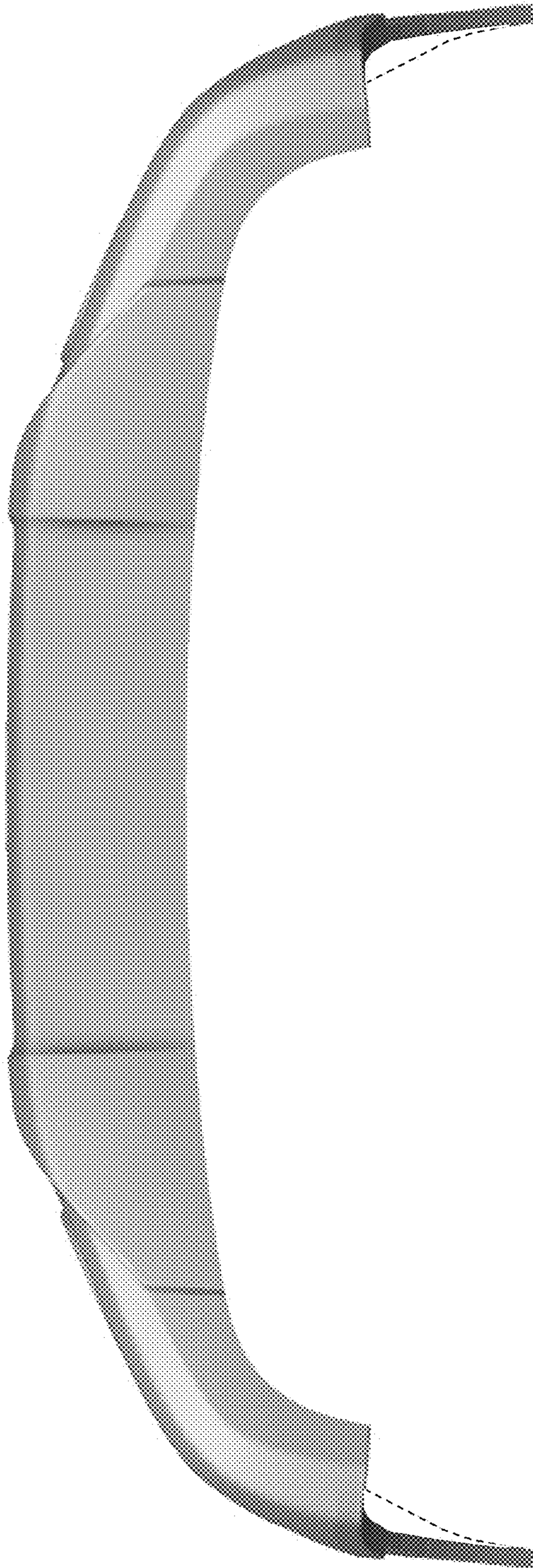


FIG. 3

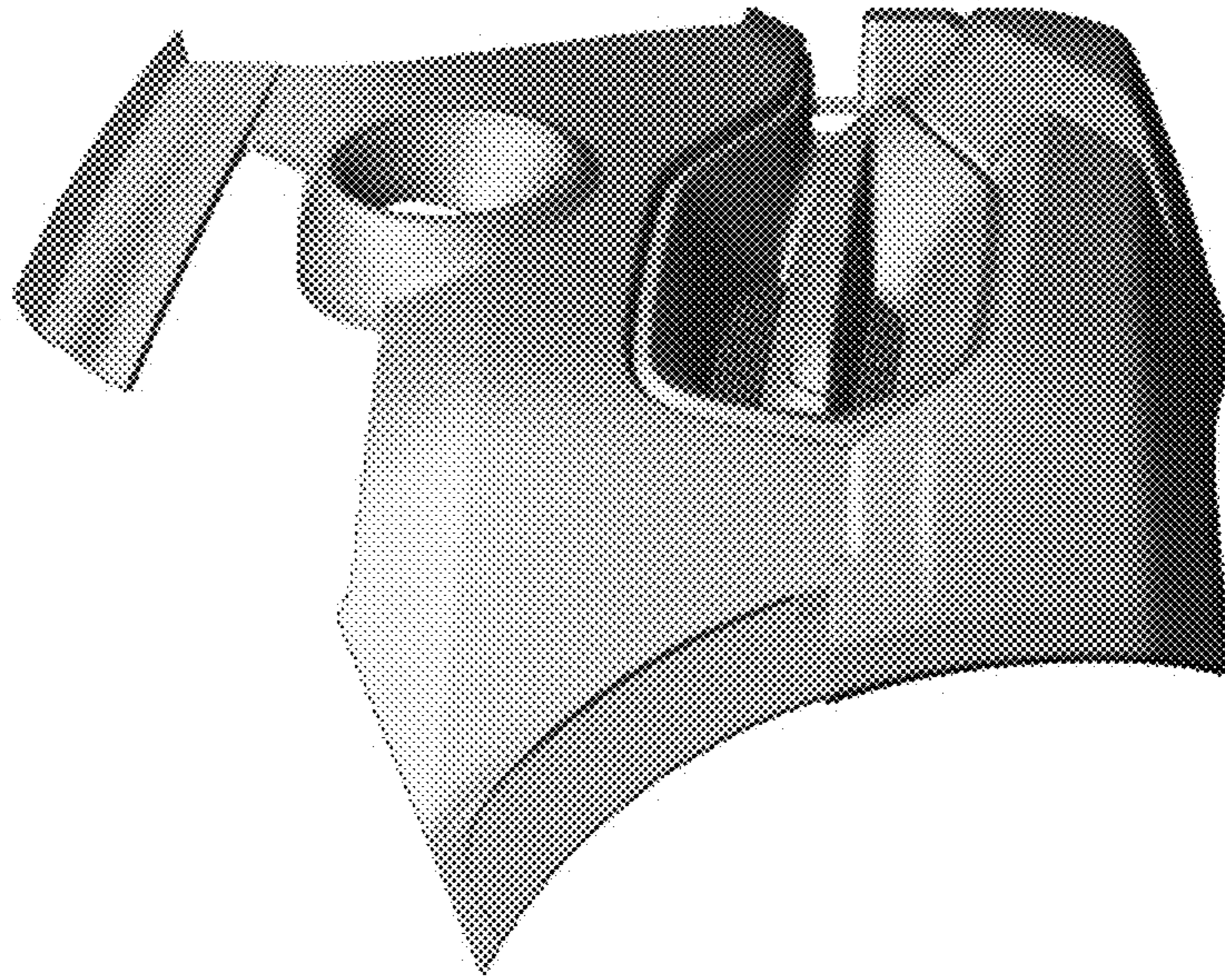


FIG. 4

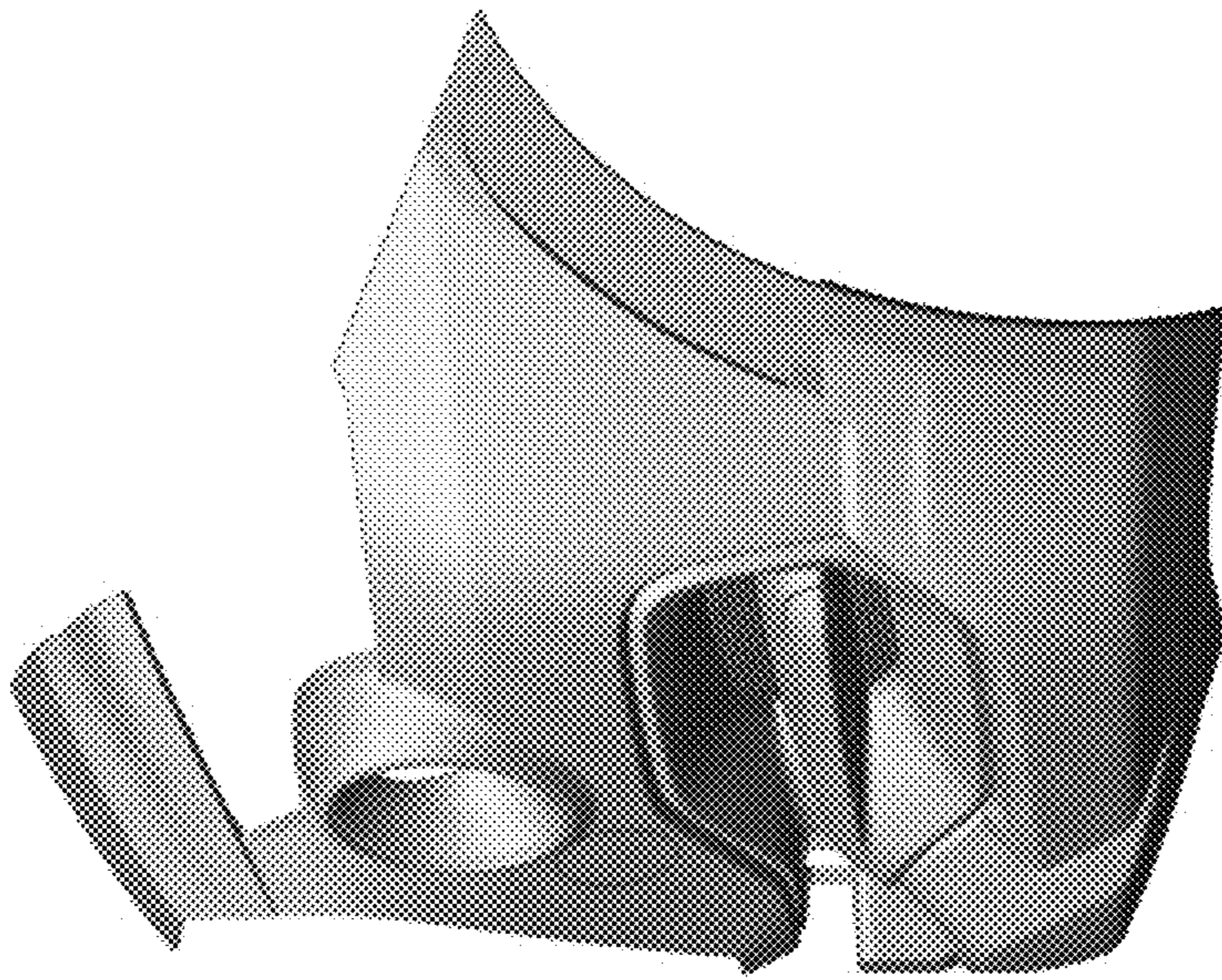


FIG. 5

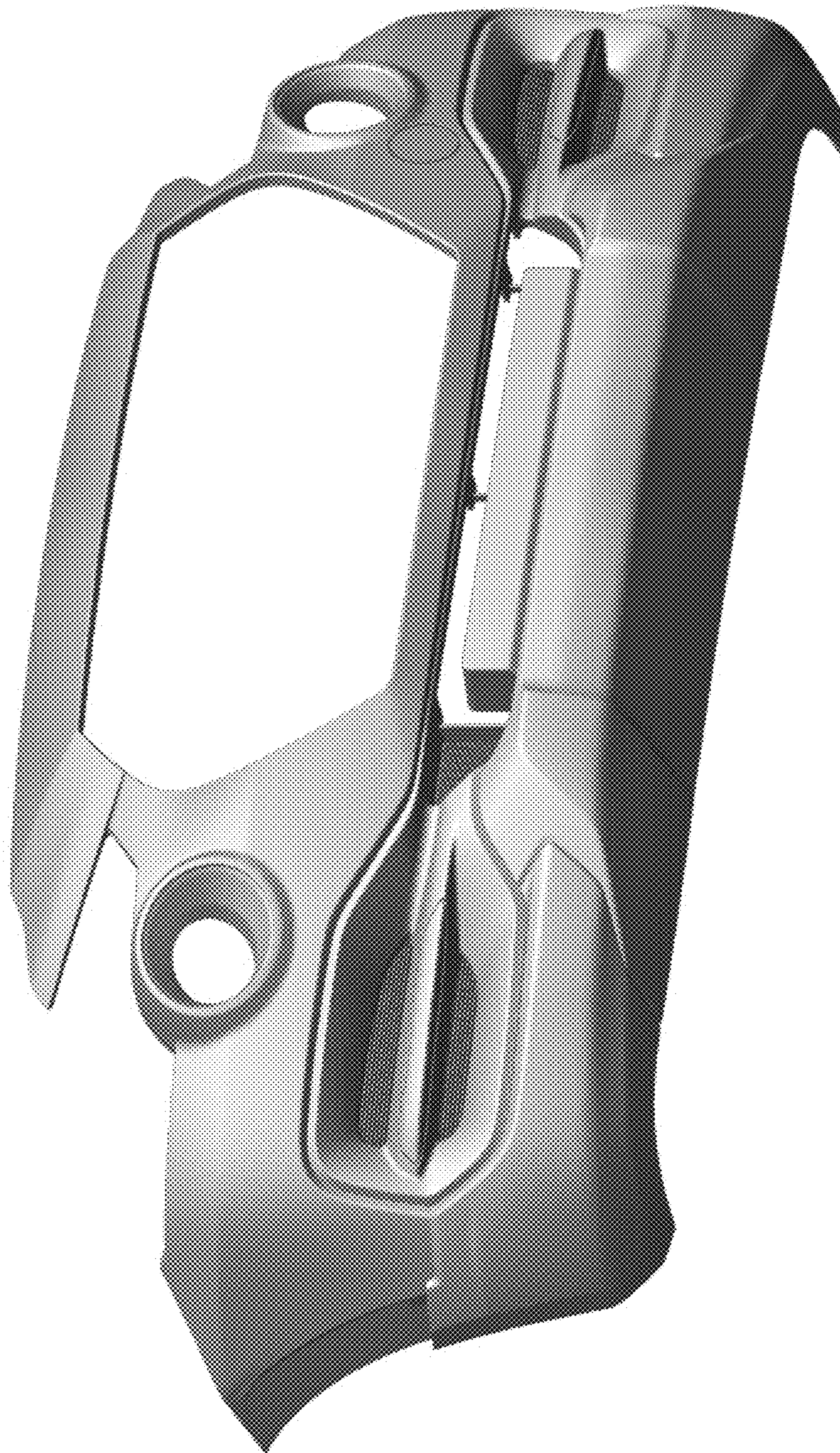


FIG. 6

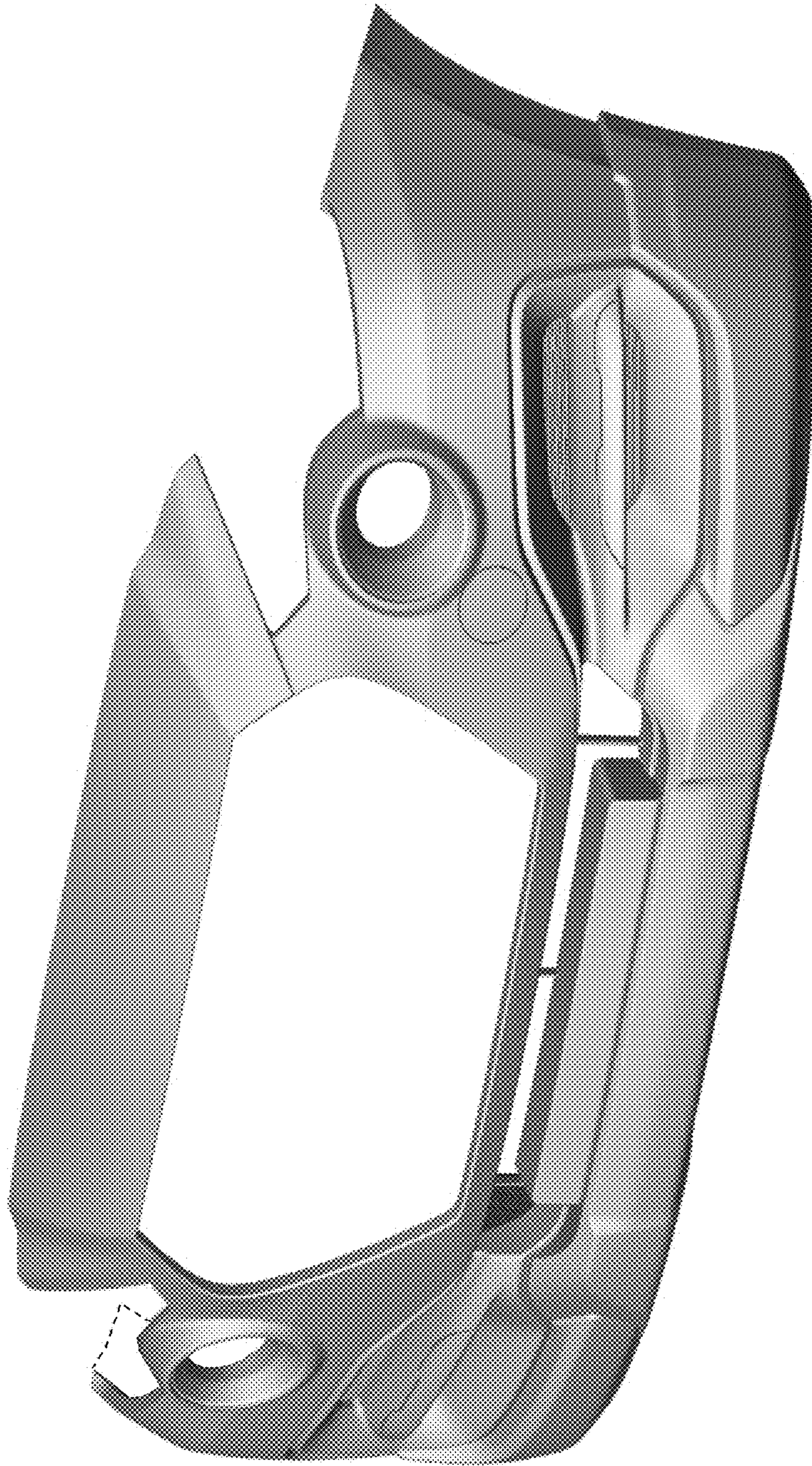


FIG. 7