



US00D843899S

(12) **United States Design Patent**  
**Nakajima et al.**

(10) **Patent No.:** **US D843,899 S**

(45) **Date of Patent:** **\*\* Mar. 26, 2019**

(54) **FRONT BUMPER FOR AUTOMOBILE**

D824,815 S \* 8/2018 Nakajima ..... D12/169  
D829,618 S \* 10/2018 Kamahara ..... D12/169  
D829,620 S \* 10/2018 Lim ..... D12/169  
D830,250 S \* 10/2018 Tomita ..... D12/169

(71) Applicant: **Nissan Motor Co., Ltd.**, Yokohoma,  
Kanagawa (JP)

(72) Inventors: **Takeshi Nakajima**, Kanagawa (JP);  
**Hiroshi Oda**, Kanagawa (JP); **Junichi Nishikubo**, Kanagawa (JP)

\* cited by examiner

*Primary Examiner* — Melody N Brown

(73) Assignee: **Nissan Motor Co., Ltd.**, Yokohama  
(JP)

(\*\*) Term: **15 Years**

(21) Appl. No.: **29/639,159**

(22) Filed: **Mar. 5, 2018**

(57) **CLAIM**

The ornamental design for a front bumper for an automobile,  
as shown and described.

(30) **Foreign Application Priority Data**

**DESCRIPTION**

Sep. 6, 2017 (JP) ..... 2017-019329

(51) **LOC (11) Cl.** ..... **12-16**

(52) **U.S. Cl.**  
USPC ..... **D12/169**

(58) **Field of Classification Search**  
USPC ..... D12/169; 293/102, 113, 115, 117, 120;  
296/180.1, 180.2  
CPC ..... B60R 19/02; B60R 19/04; B62D 25/08  
See application file for complete search history.

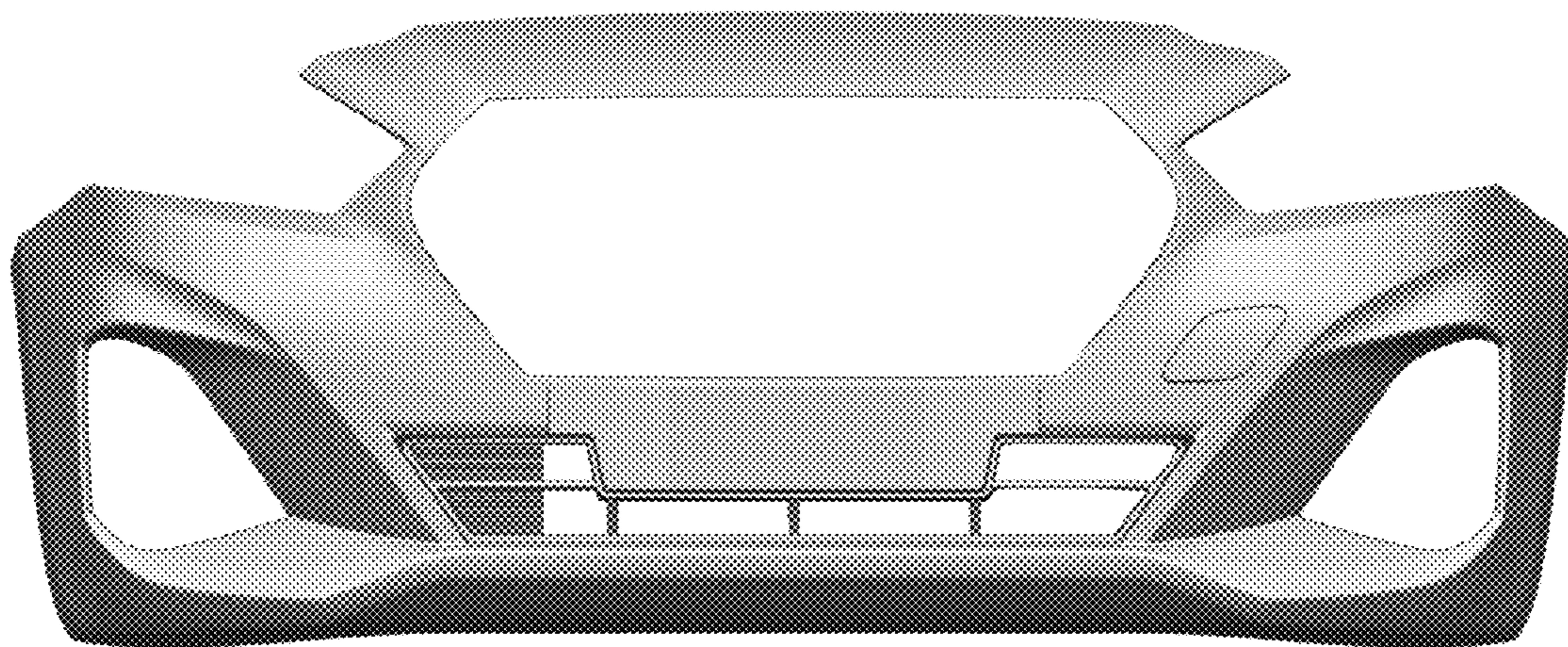
FIG. 1 is a front elevational view of a front bumper for an automobile in accordance with our new design;  
FIG. 2 is a top plan view thereof;  
FIG. 3 is a bottom plan view thereof;  
FIG. 4 is a left side elevational view thereof;  
FIG. 5 is a right side elevational view thereof;  
FIG. 6 is a bottom, front and left side perspective view thereof; and,  
FIG. 7 is a top, front and right side perspective view thereof. The rear view of the front bumper forms no part of the claimed design. The inside surfaces of the front bumper, shown in broken lines in FIGS. 2, 3 and 7, form no part of the claimed design since the inside surfaces are hidden when the front bumper is mounted to the automobile.

(56) **References Cited**

**U.S. PATENT DOCUMENTS**

D800,035 S \* 10/2017 Takamatsu ..... D12/169  
D823,748 S \* 7/2018 Sunhwan ..... D12/169

**1 Claim, 7 Drawing Sheets**



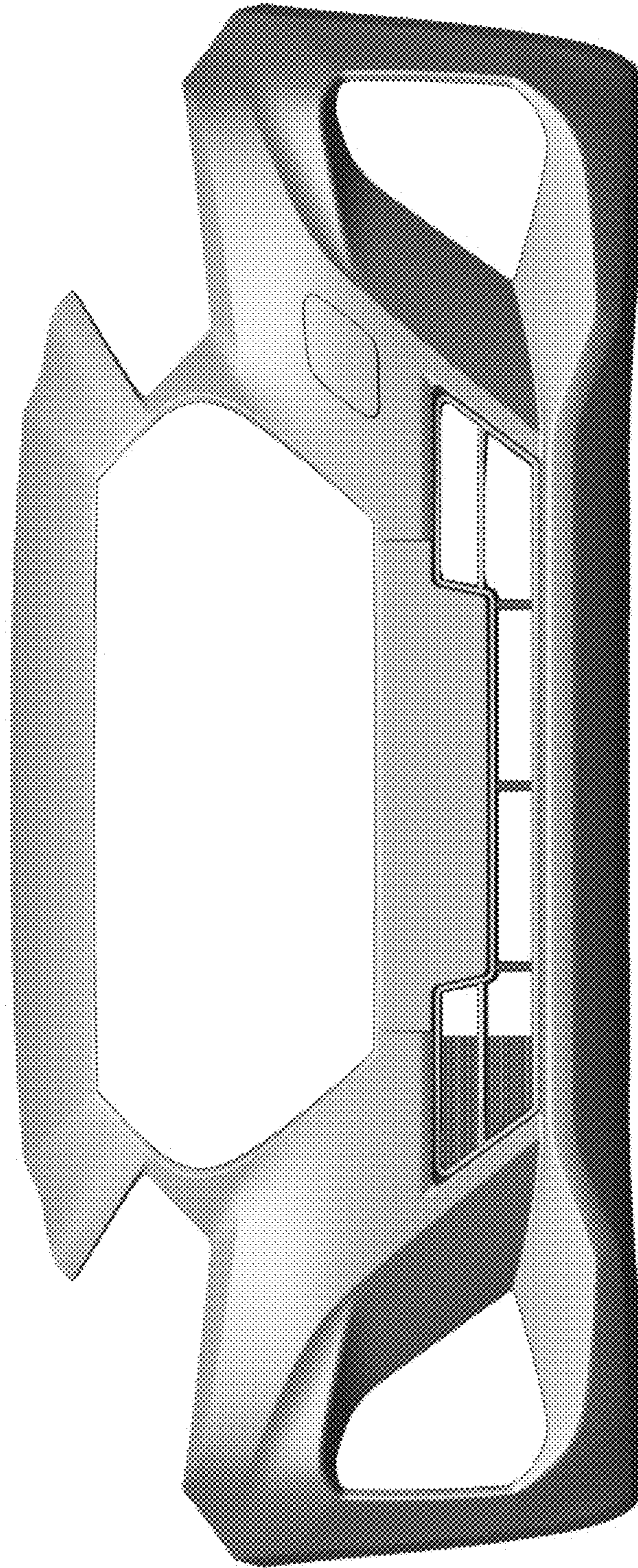


FIG. 1

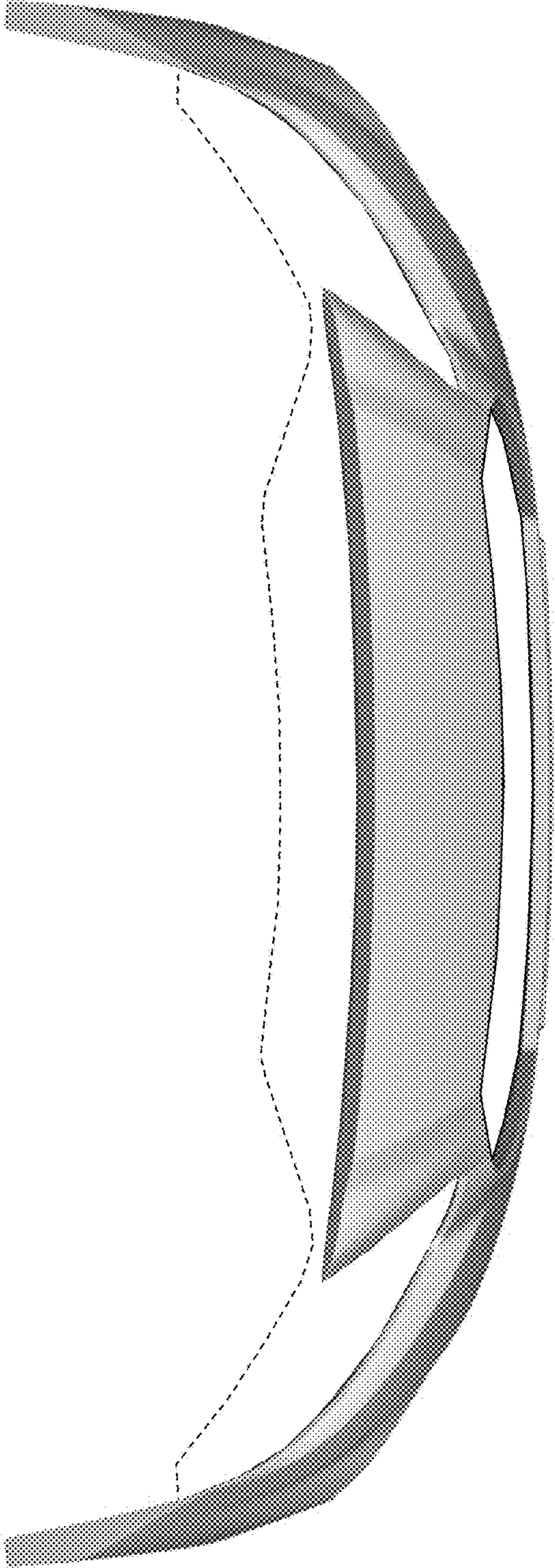


FIG. 2

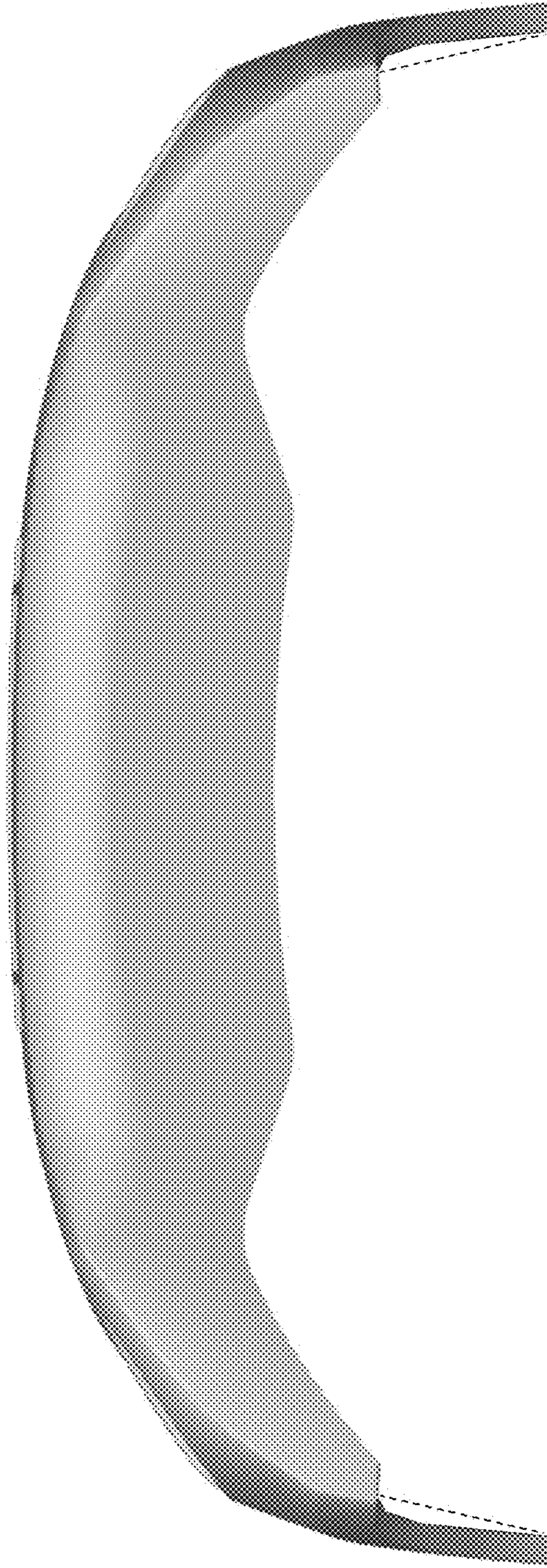


FIG. 3

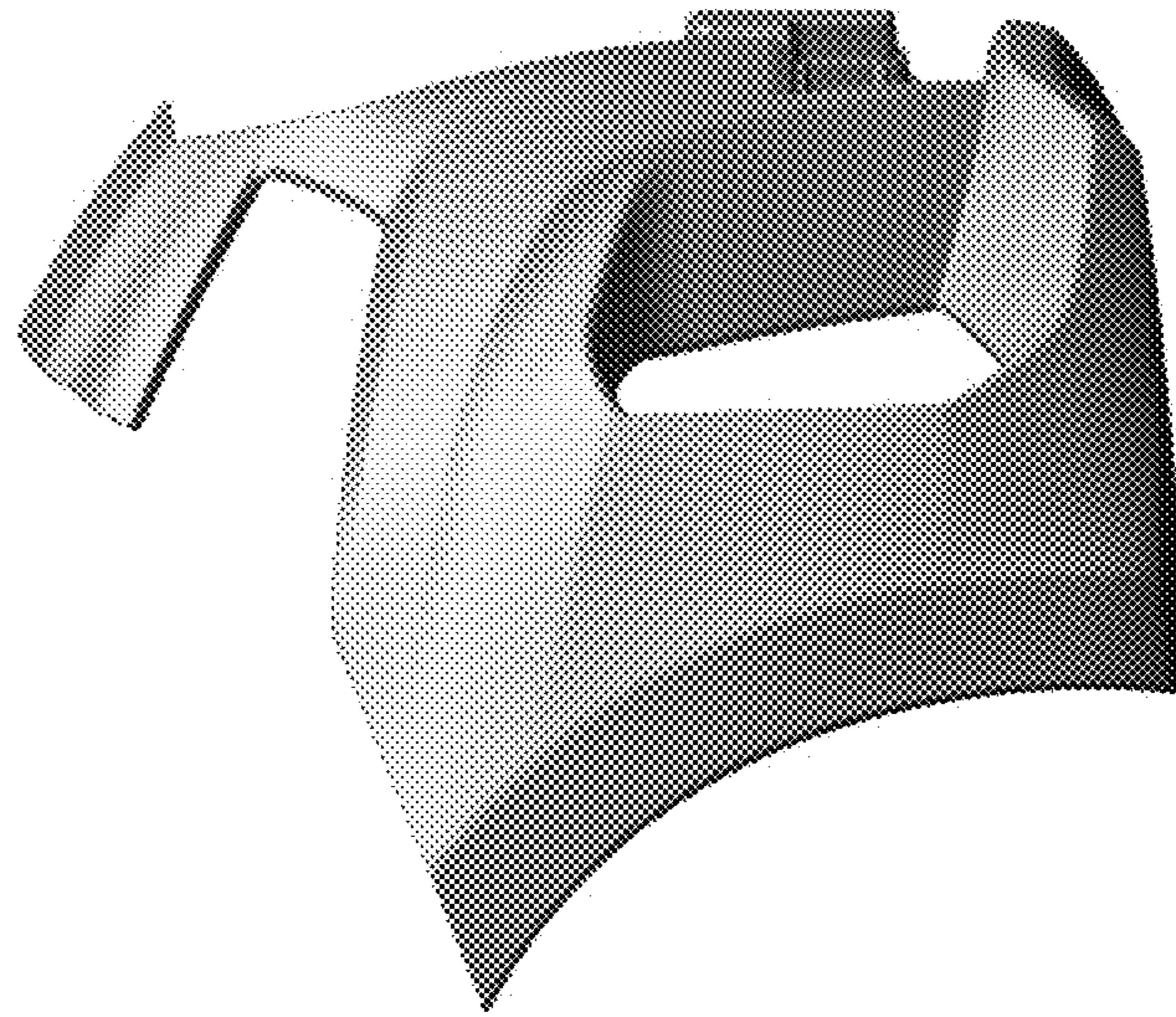


FIG. 4

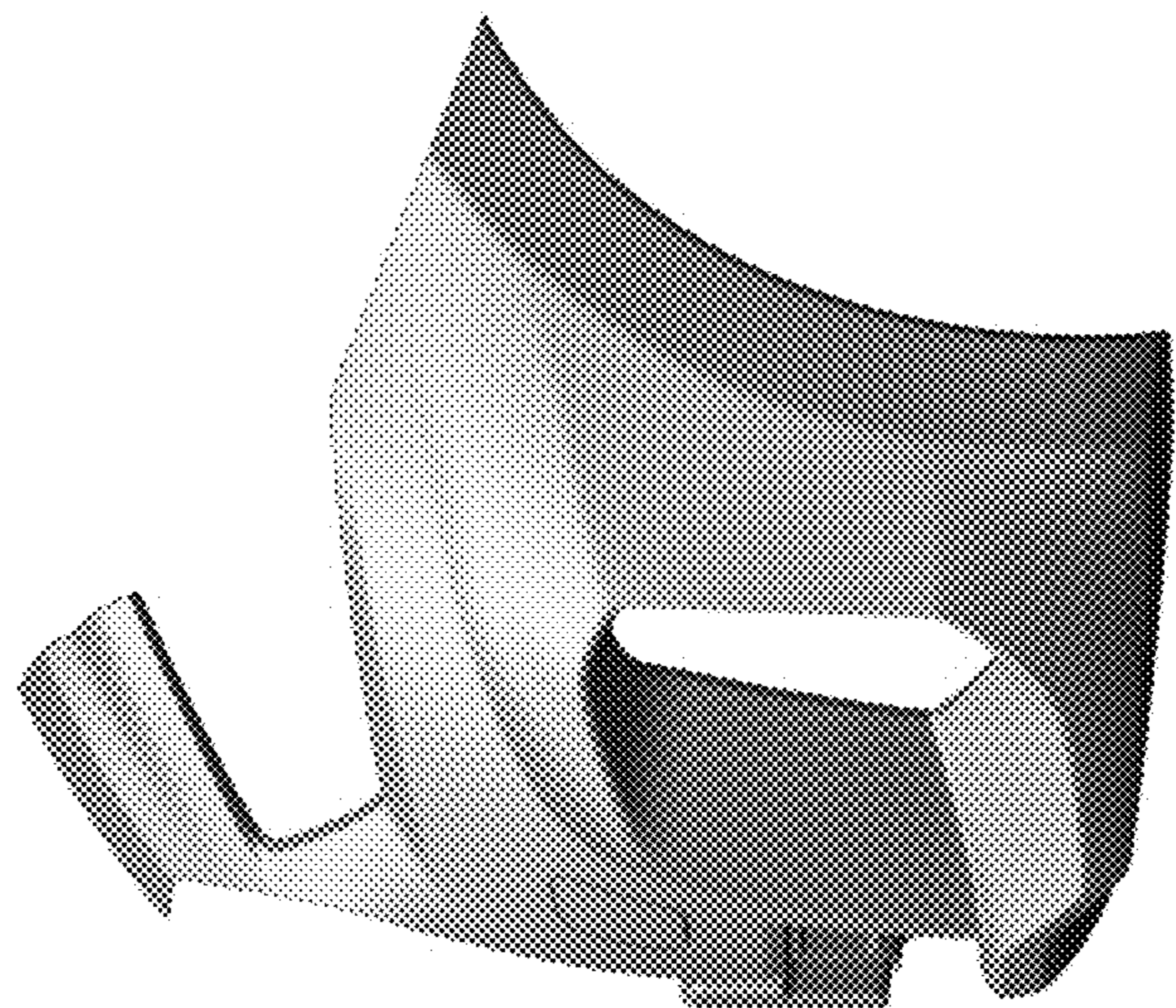


FIG. 5

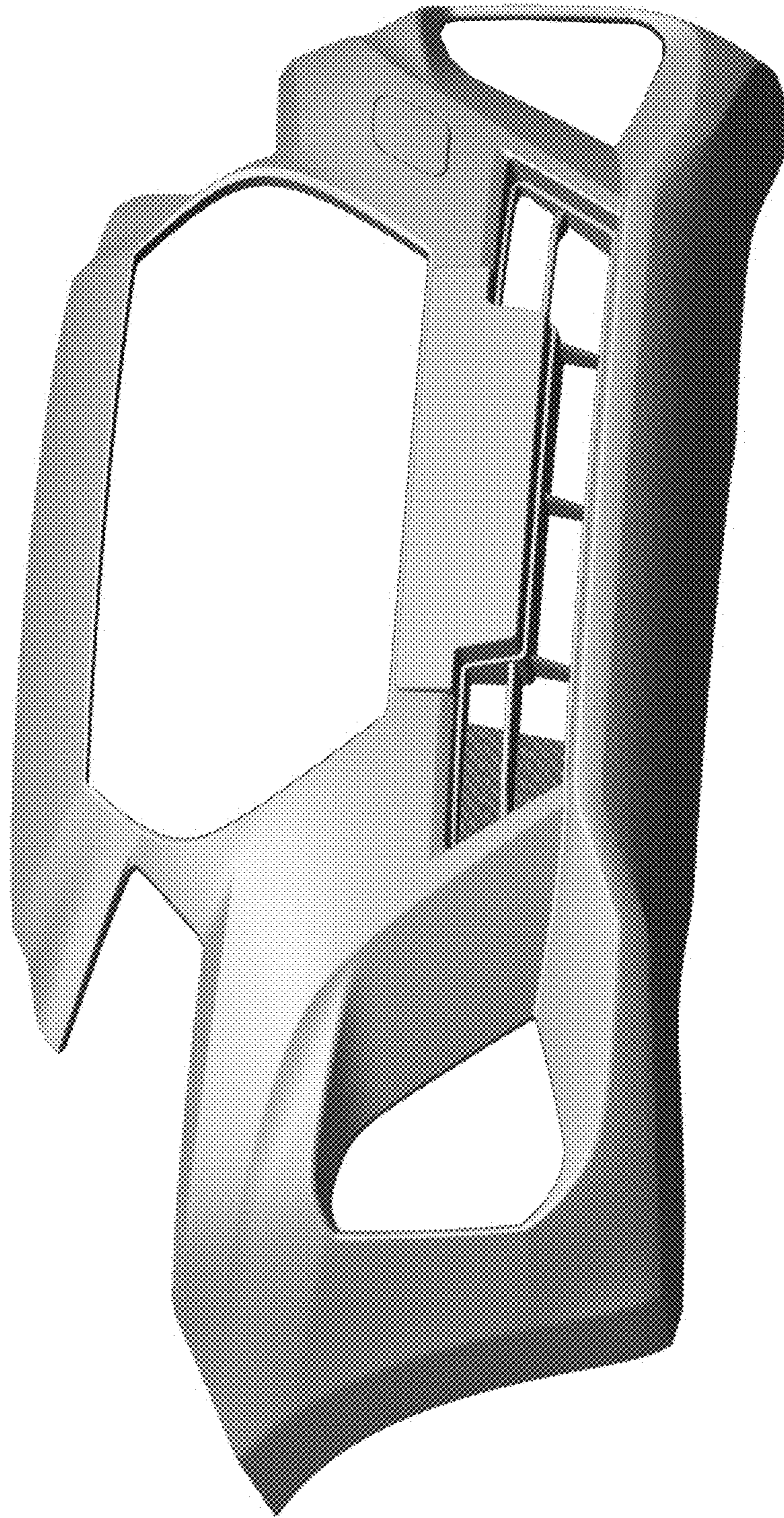


FIG. 6

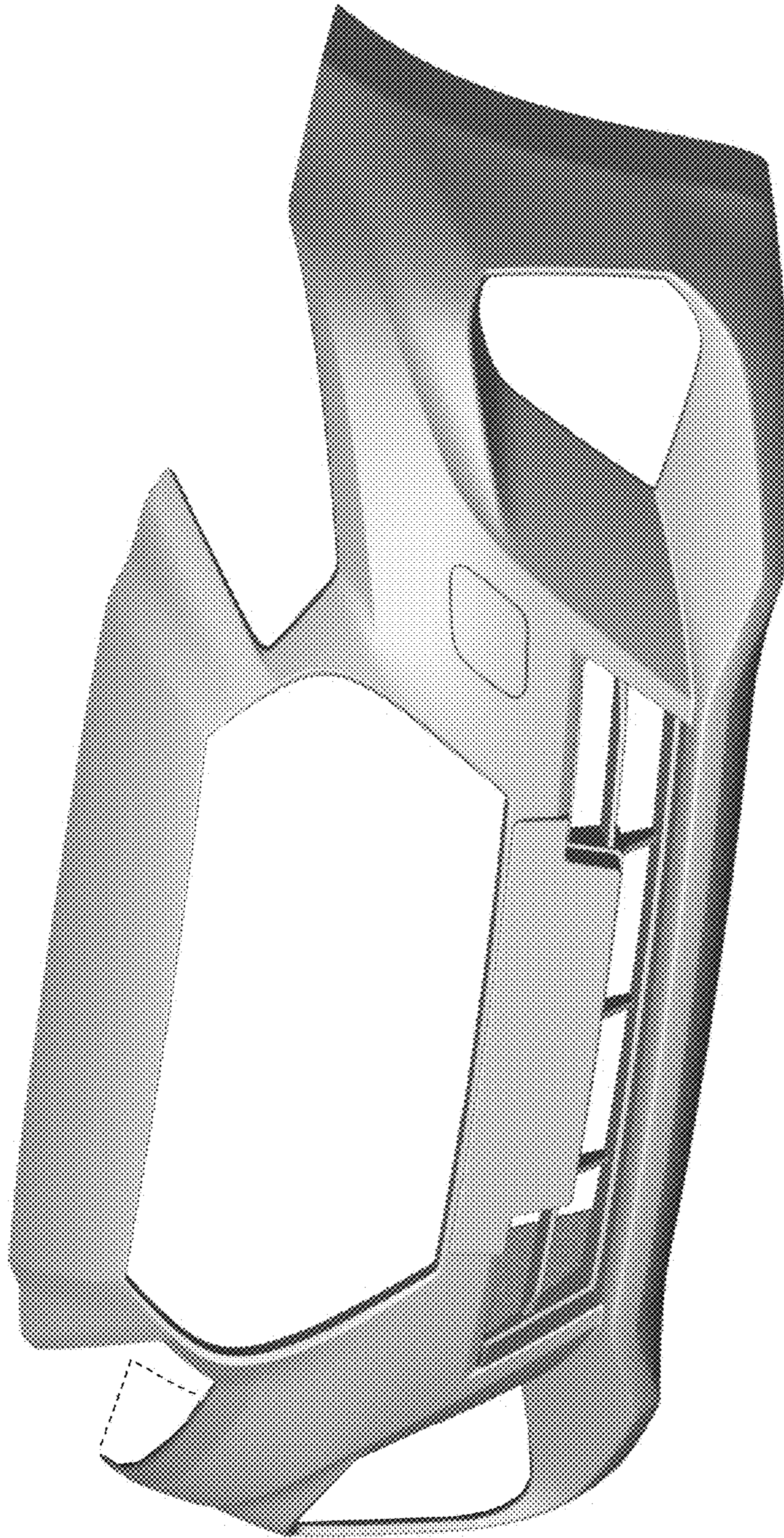


FIG. 7