



US00D843897S

(12) **United States Design Patent**  
**Wheel**

(10) **Patent No.:** **US D843,897 S**

(45) **Date of Patent:** **\*\* Mar. 26, 2019**

(54) **FRONT BUMPER**

(71) Applicant: **Jaguar Land Rover Limited**, Whitley,  
Coventry (GB)

(72) Inventor: **Andrew Wheel**, Coventry (GB)

(73) Assignee: **Jaguar Land Rover Limited**, Whitley,  
Coventry (GB)

(\*\*) Term: **15 Years**

(21) Appl. No.: **29/603,402**

(22) Filed: **May 9, 2017**

(30) **Foreign Application Priority Data**

Nov. 11, 2016 (EM) ..... 003459270-0001  
Nov. 11, 2016 (EM) ..... 003459270-0002  
Nov. 11, 2016 (EM) ..... 003459551-0002  
Nov. 13, 2016 (EM) ..... 003460807-0007

(51) **LOC (11) Cl.** ..... **12-16**

(52) **U.S. Cl.**  
USPC ..... **D12/169**

(58) **Field of Classification Search**  
USPC ..... D12/173, 169, 92, 163, 86, 90-91, 171,  
D12/196, 216  
CPC ..... B60R 19/02; B60R 19/04; B62D 25/08  
See application file for complete search history.

(56) **References Cited**

**U.S. PATENT DOCUMENTS**

D422,942 S \* 4/2000 Giugiaro ..... D12/92  
D448,324 S \* 9/2001 Gabath ..... D12/92  
D603,755 S \* 11/2009 Peters ..... D12/92  
D670,216 S \* 11/2012 Watanabe ..... D12/169  
D671,053 S \* 11/2012 Yamada ..... D12/169  
D700,116 S \* 2/2014 Wada ..... D12/169  
D742,283 S \* 11/2015 Forsgren ..... D12/92  
D756,862 S \* 5/2016 Wada ..... D12/169

D780,636 S \* 3/2017 Kahn ..... D12/92  
D783,472 S \* 4/2017 Ishii ..... D12/169  
D787,377 S \* 5/2017 Al Attar ..... D12/92  
D793,292 S \* 8/2017 Lee ..... D12/169  
D798,202 S \* 9/2017 Zavatski ..... D12/169  
D813,753 S \* 3/2018 Loeb ..... D12/169  
D813,754 S \* 3/2018 Loeb ..... D12/169

(Continued)

*Primary Examiner* — Robin V Webster

*Assistant Examiner* — Rachel A Voorhies

(74) *Attorney, Agent, or Firm* — Wood Herron & Evans  
LLP

(57) **CLAIM**

The ornamental design for a front bumper, as shown and  
described.

**DESCRIPTION**

FIG. 1 is a front right perspective view of a front bumper for  
a vehicle according to the present invention.

FIG. 2 is a front left perspective view of the front bumper  
shown in FIG. 1.

FIG. 3 is a rear left perspective view thereof.

FIG. 4 is a rear right perspective view thereof.

FIG. 5 is a front view thereof.

FIG. 6 is a rear view thereof.

FIG. 7 is a left side view thereof.

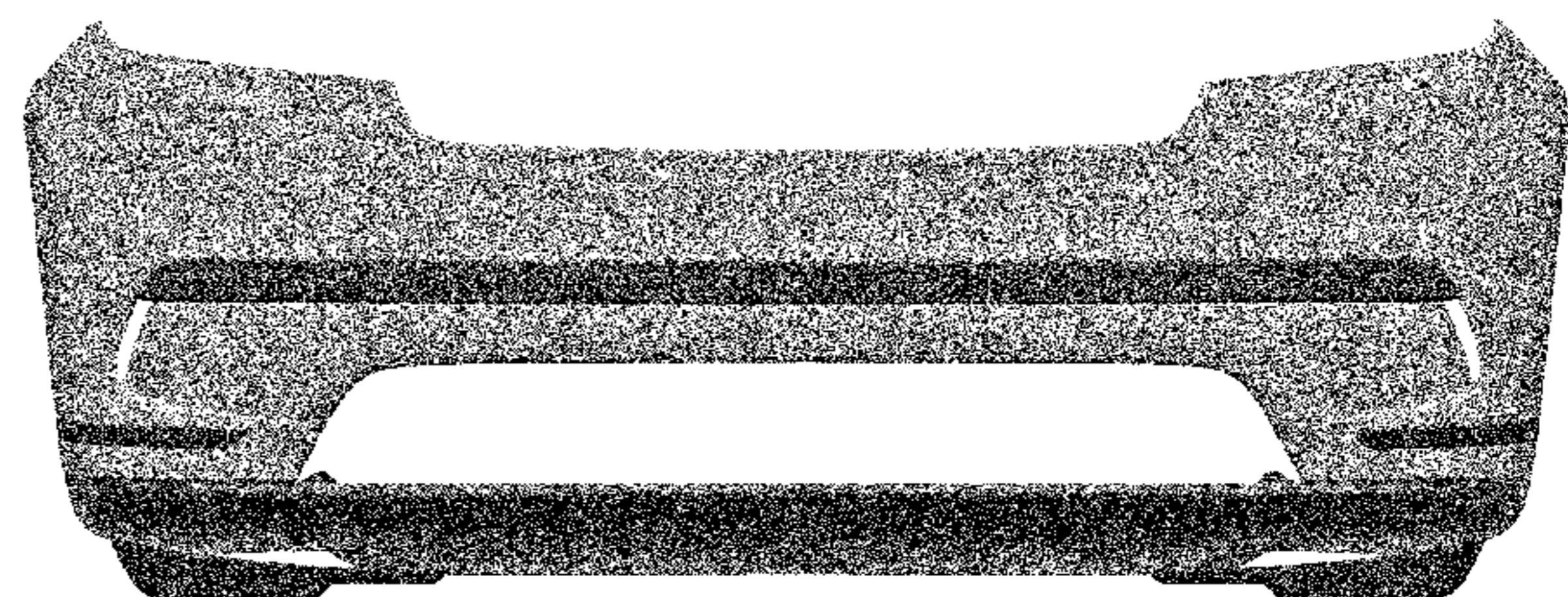
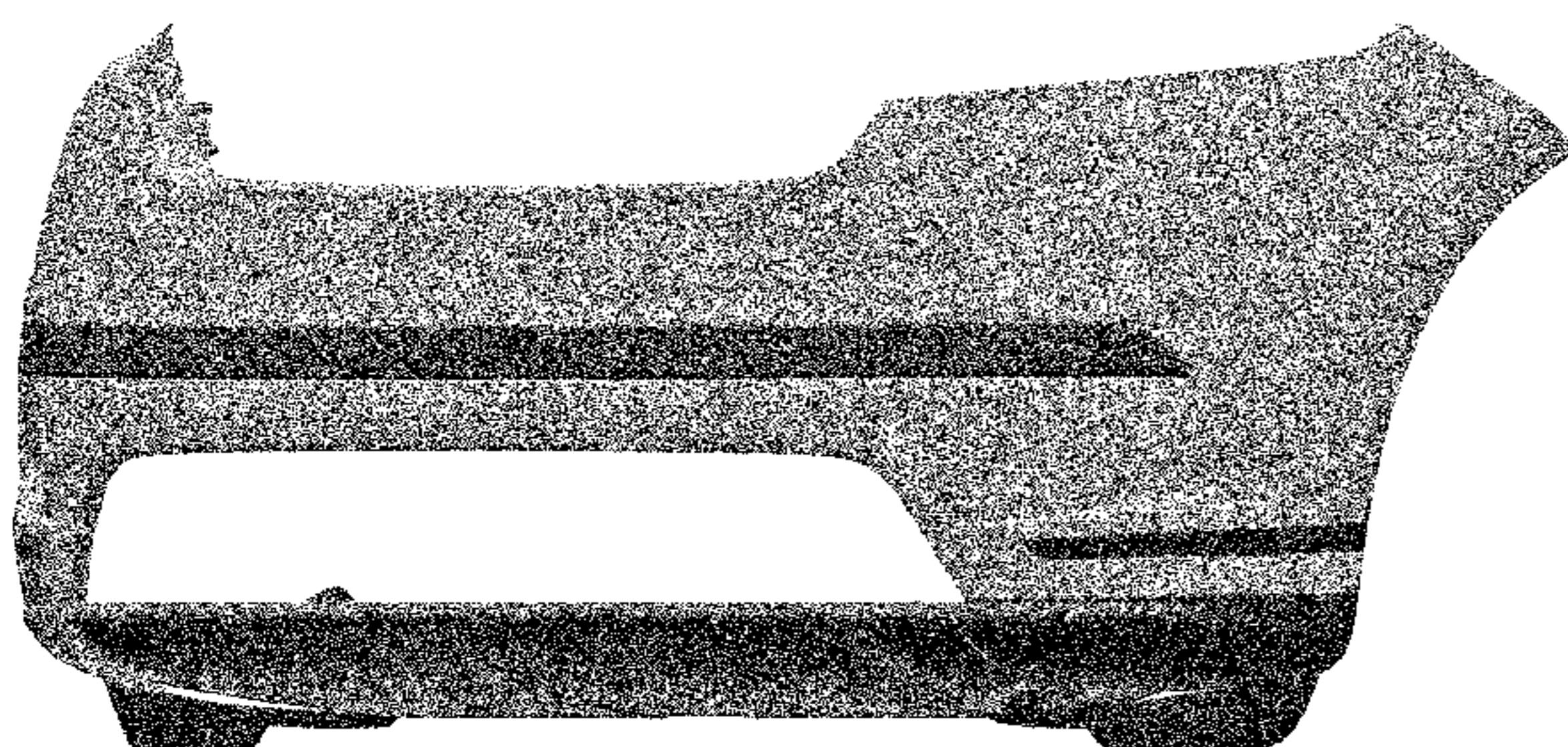
FIG. 8 is a right side view thereof.

FIG. 9 is a top view thereof.

FIG. 10 is a bottom view thereof; and,

FIG. 11 is a front right perspective view of the front bumper  
shown in FIGS. 1-10, mounted on a vehicle, with the vehicle  
shown in de-emphasized and half-tone portions so as to  
illustrate environmental structure. These portions form no  
part of the claimed invention. More particularly, in FIG. 11,  
the inventive front bumper is shown within the broken line,  
and the elements shown outside of the broken line form no  
part of the claimed invention, but are instead included to  
show environmental aspects thereof.

**1 Claim, 11 Drawing Sheets**



(56)

**References Cited**

U.S. PATENT DOCUMENTS

D816,564 S *	5/2018	Kim .....	D12/169
D821,268 S *	6/2018	Kim .....	D12/92
D822,550 S *	7/2018	Wassell .....	D12/169
D824,299 S *	7/2018	Stone .....	D12/169
D825,388 S *	8/2018	Karras .....	D12/92

\* cited by examiner

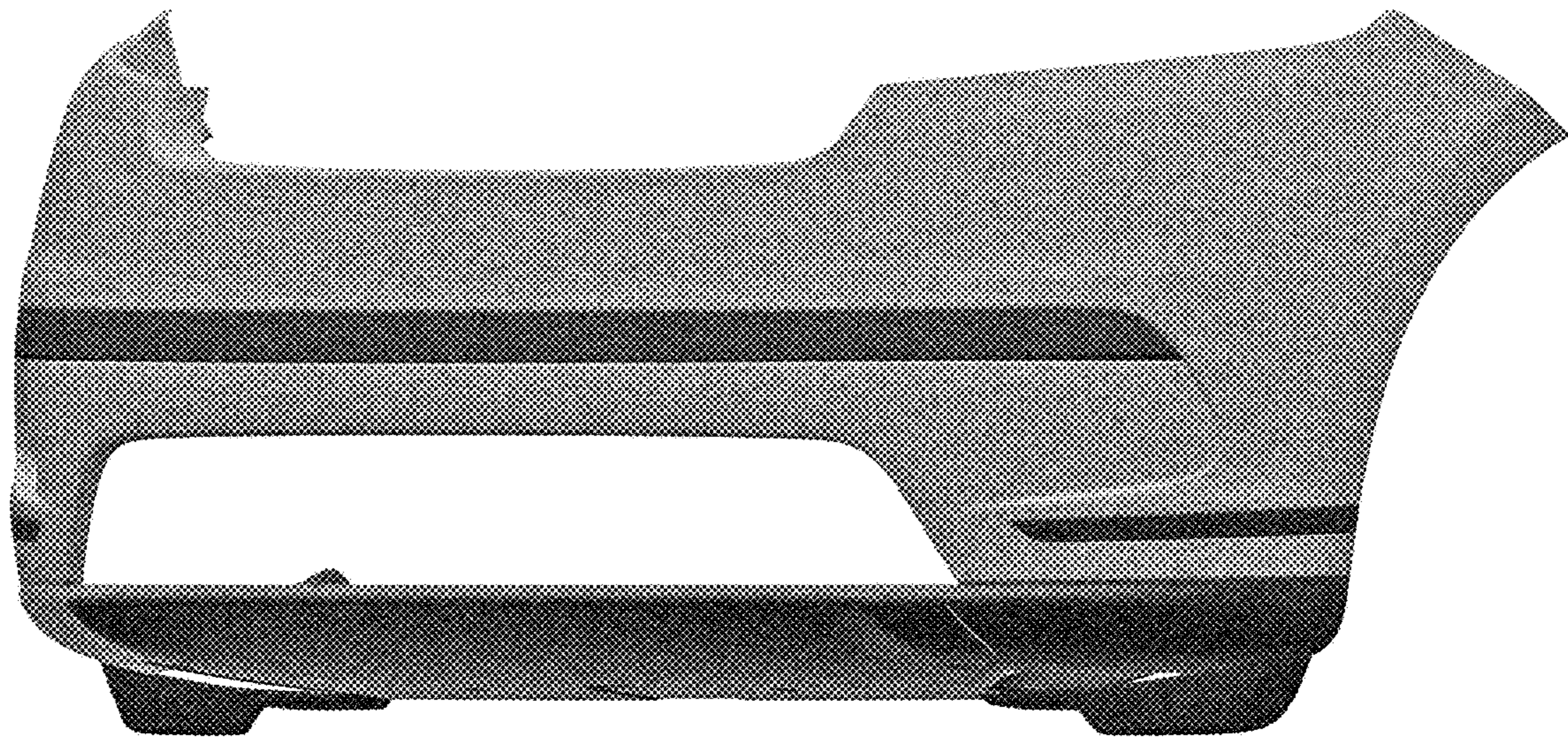


FIG. 1



FIG. 2

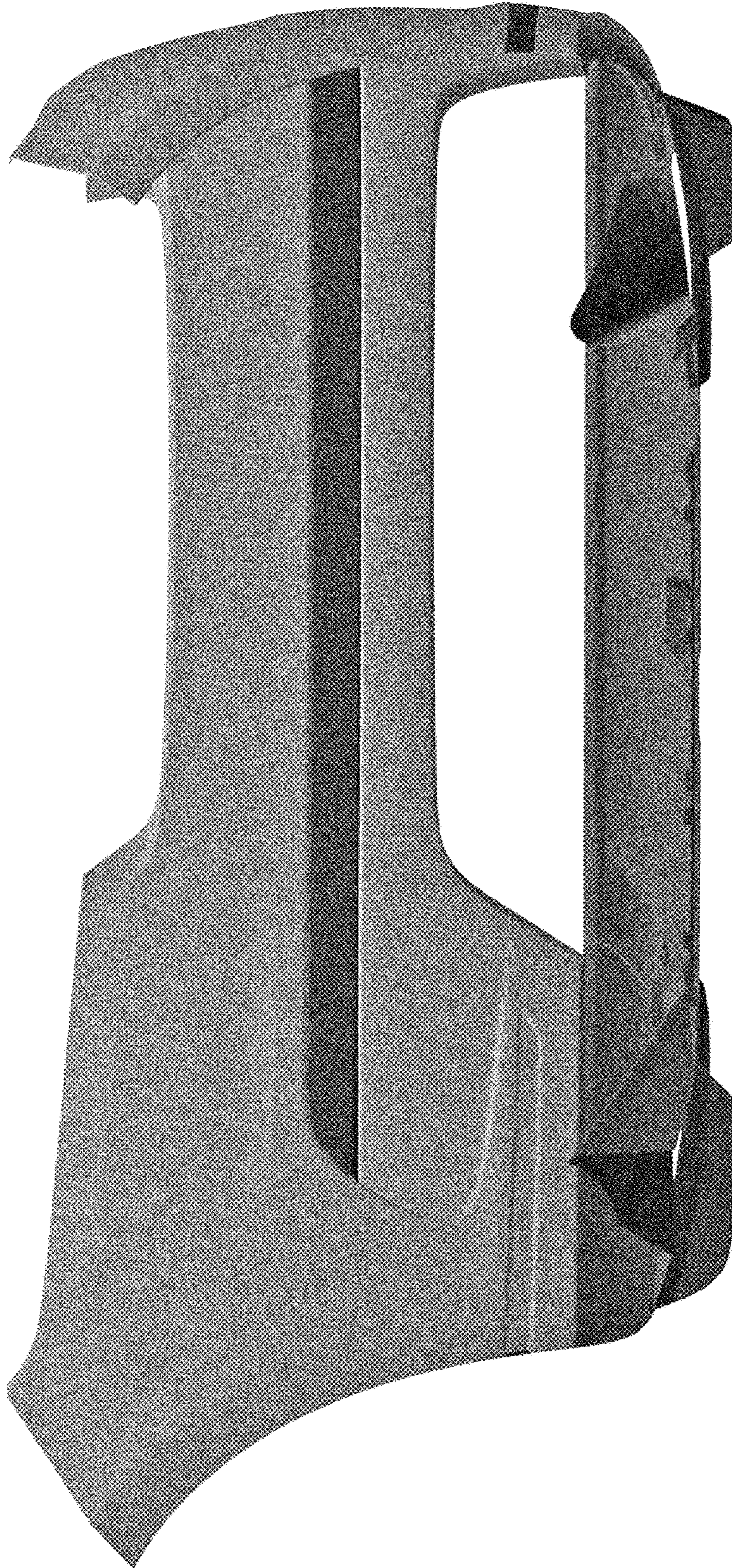


FIG. 3

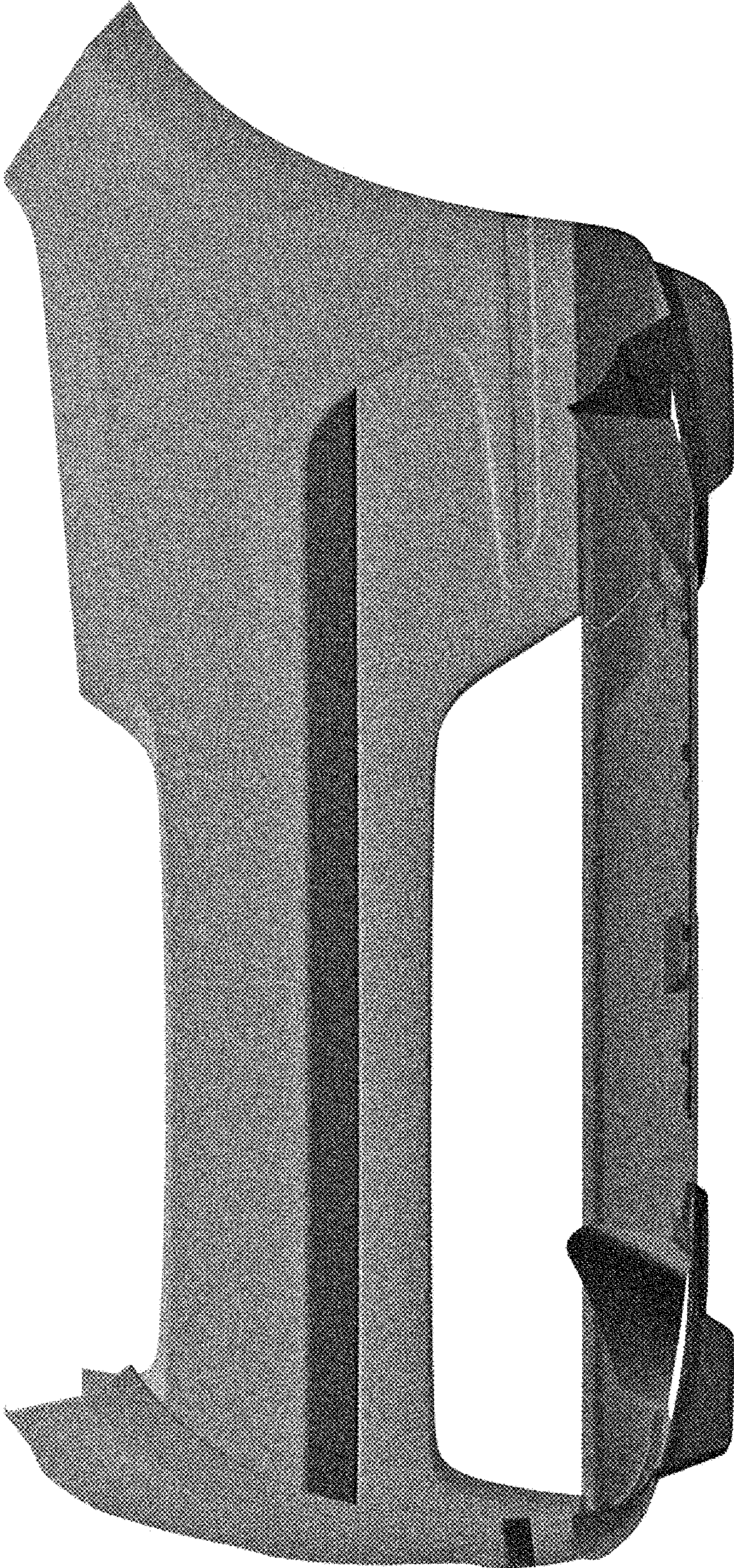


FIG. 4

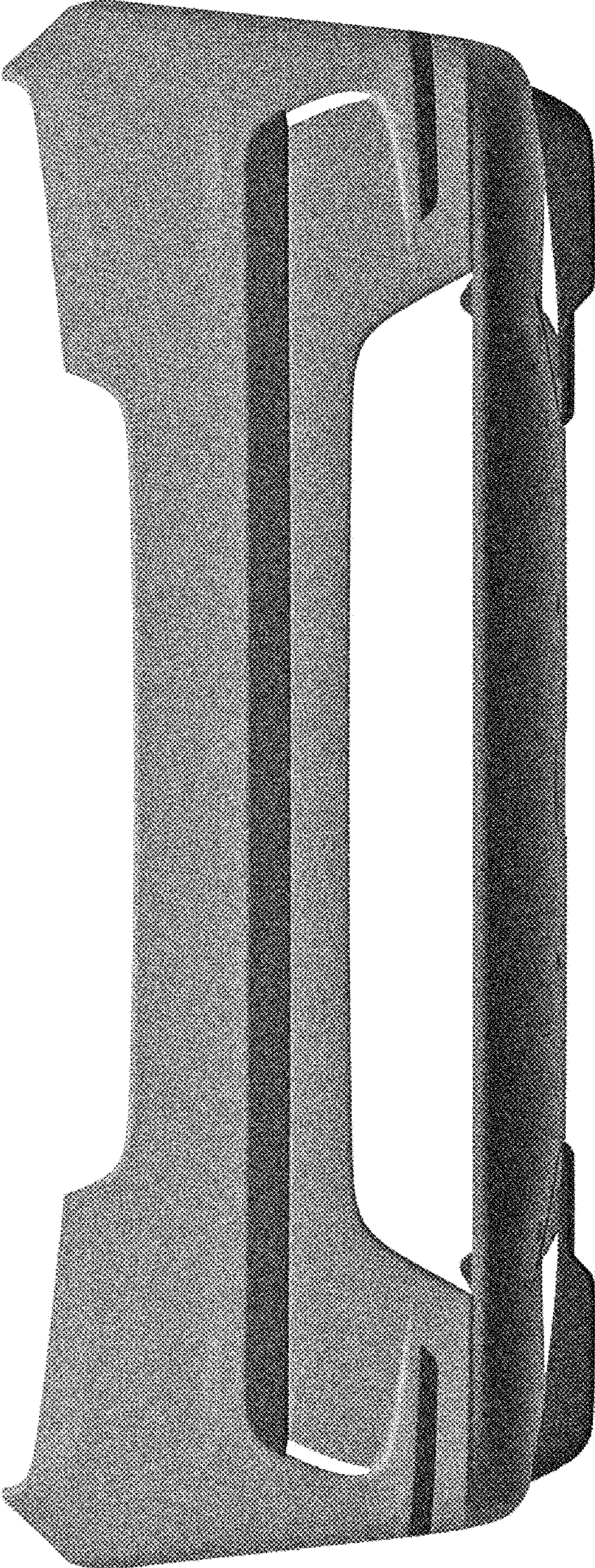


FIG. 5

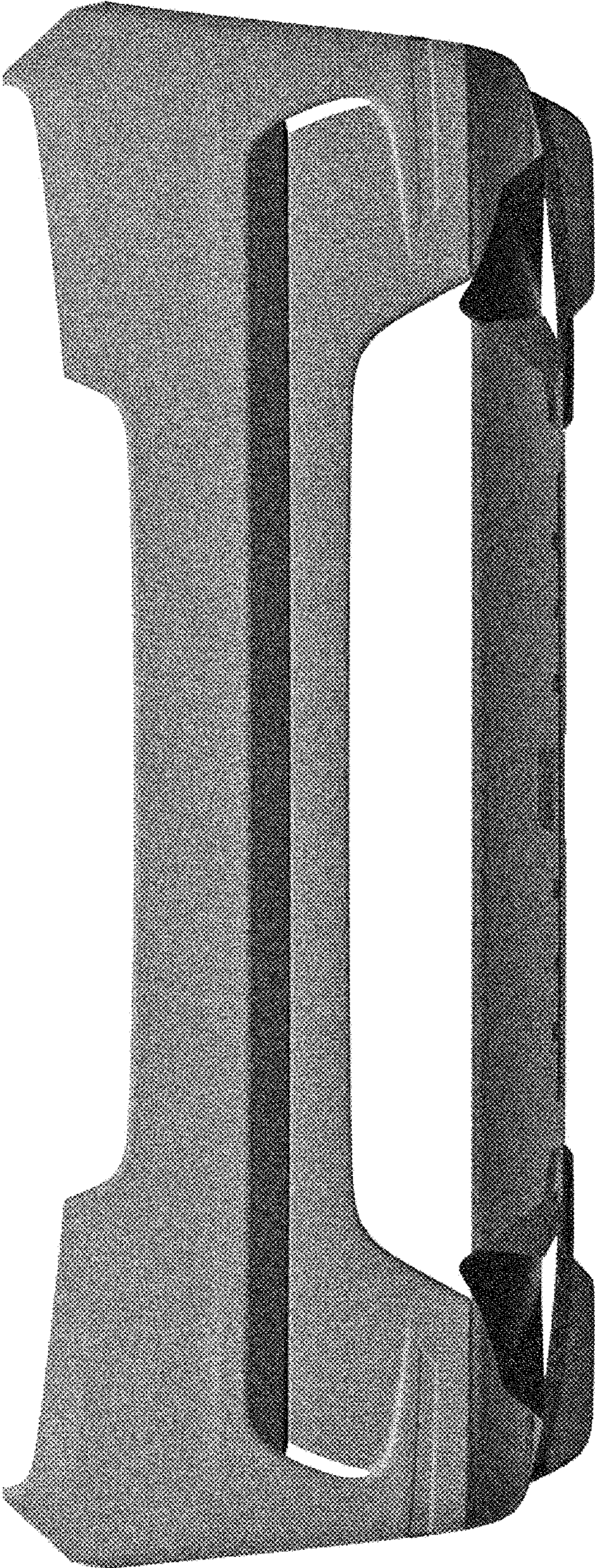


FIG. 6



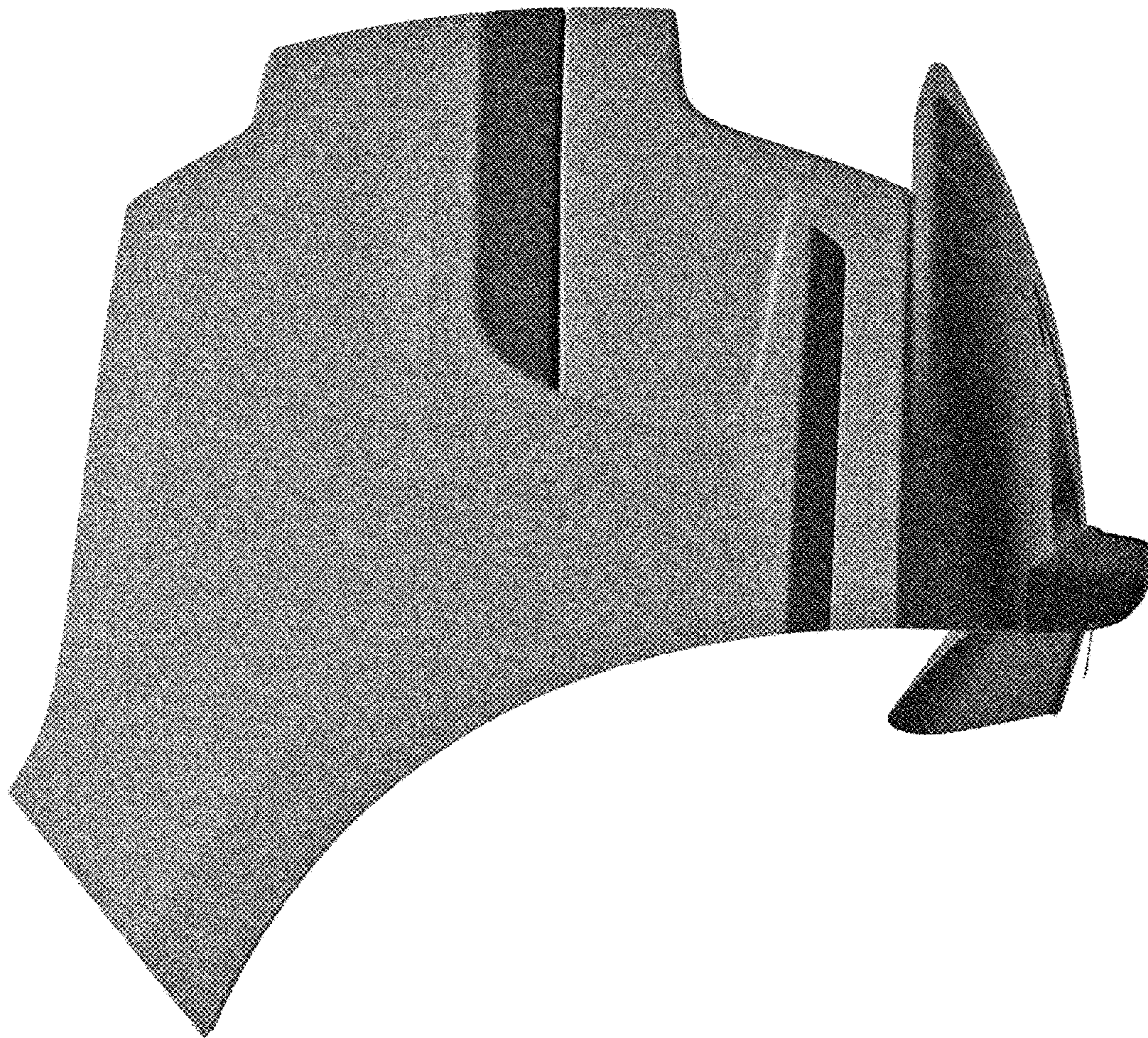


FIG. 7

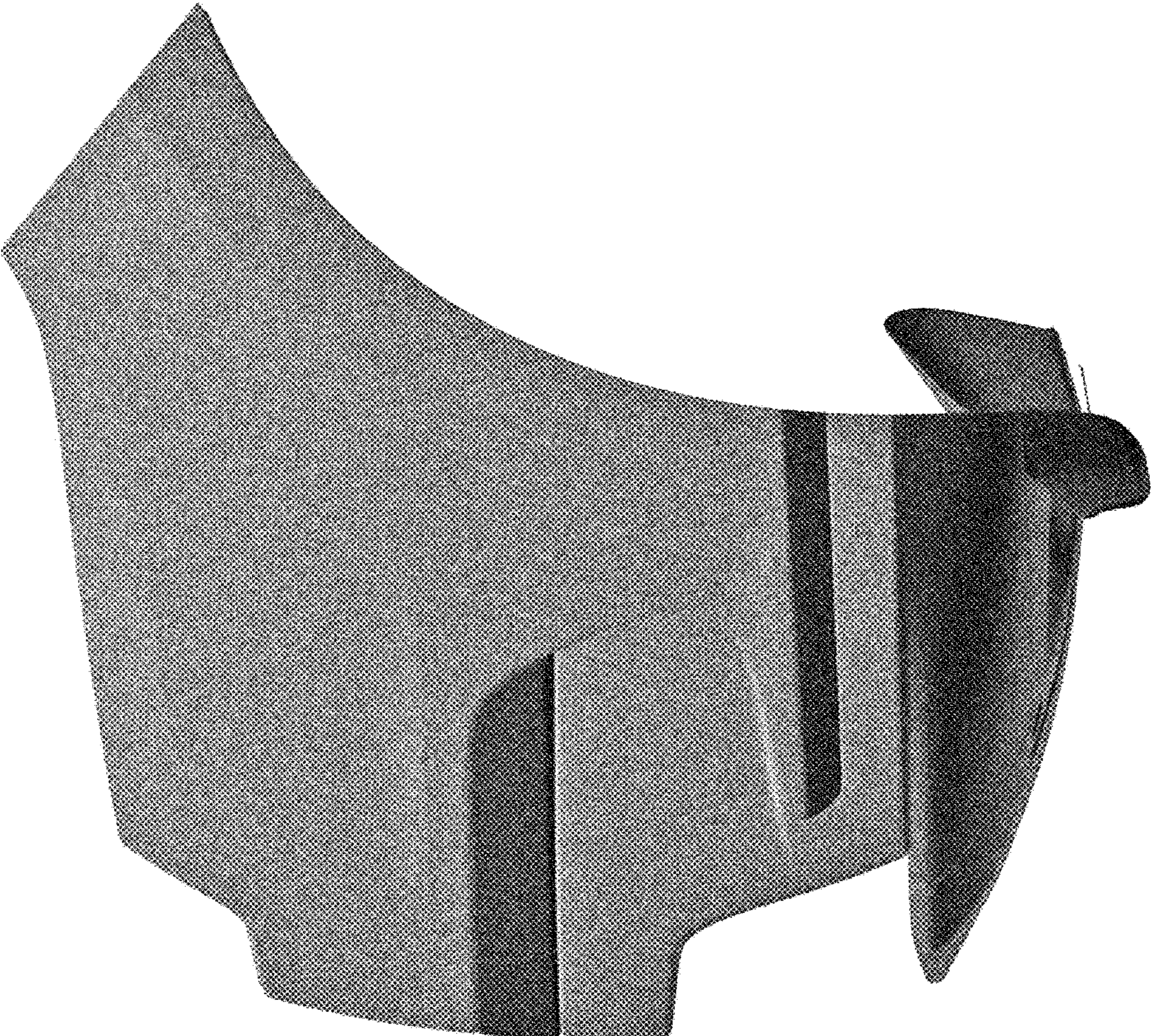


FIG. 8

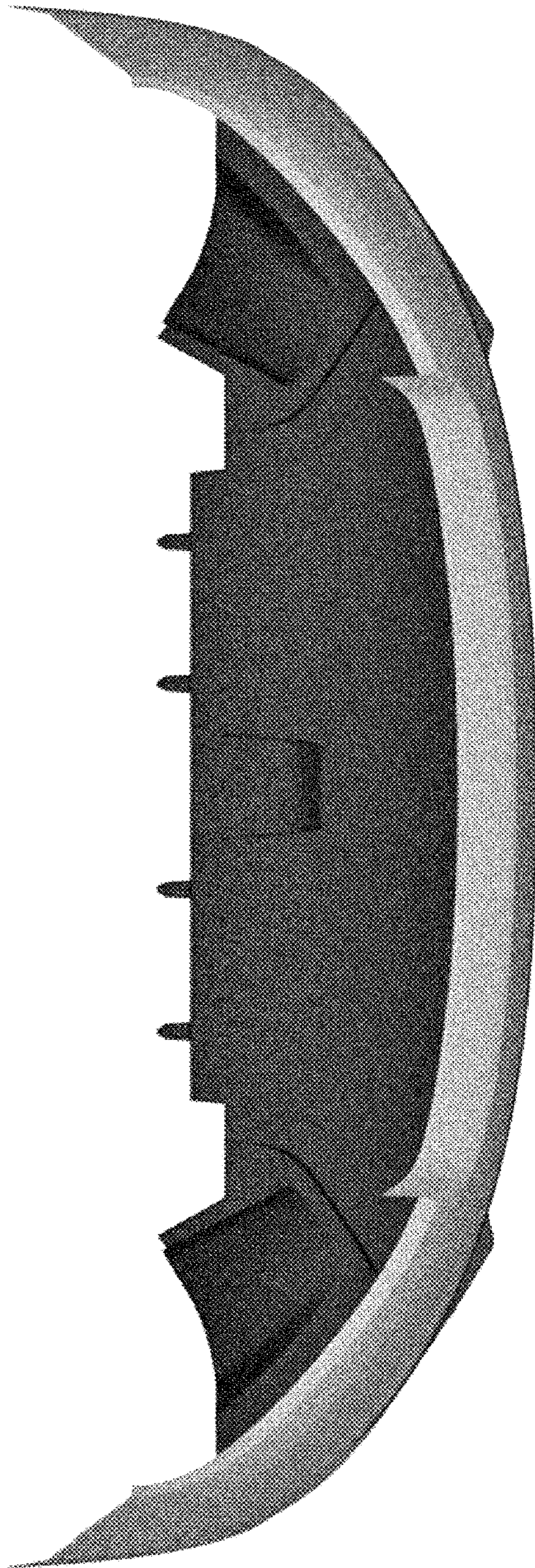


FIG. 9

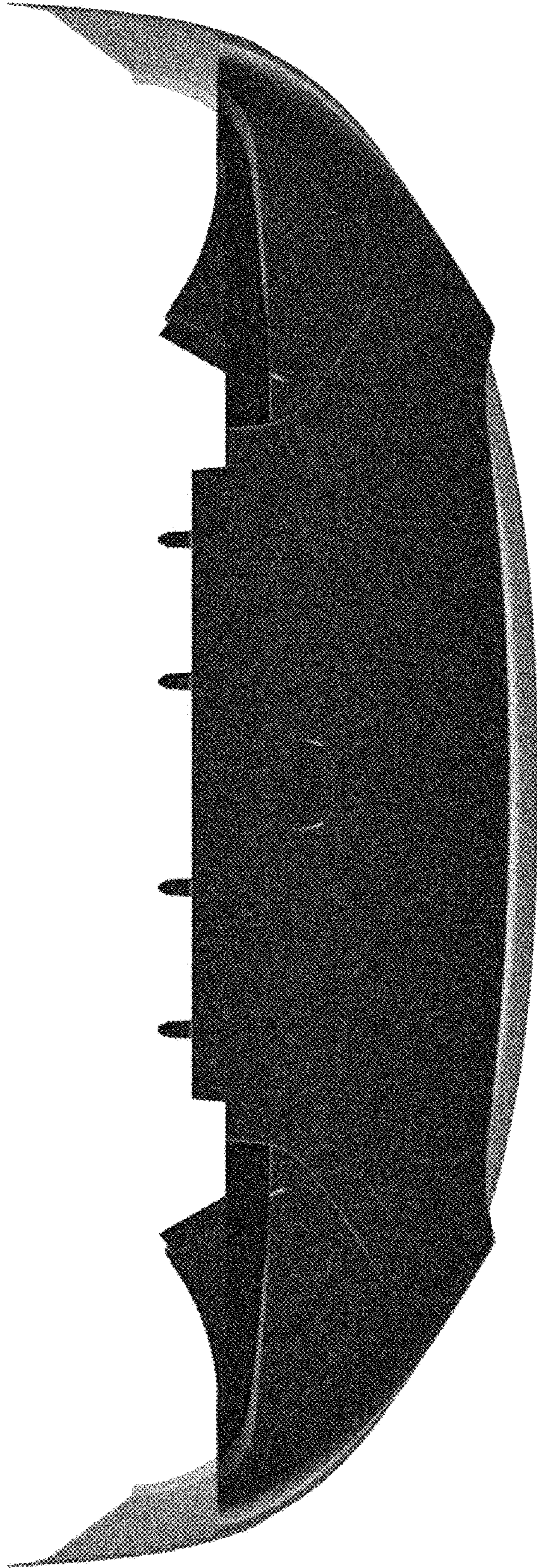


FIG. 10

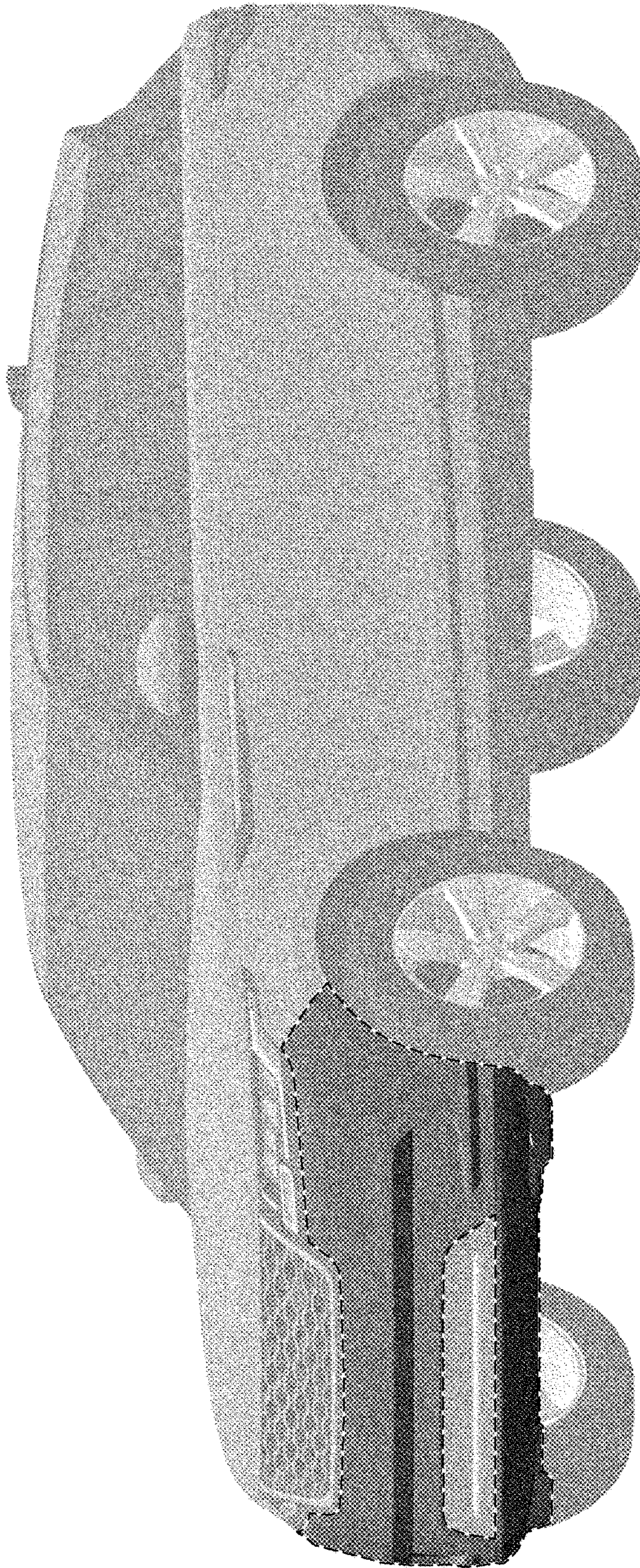


FIG. 11