



US00D843896S

(12) **United States Design Patent**  
**Beaven et al.**

(10) **Patent No.:** **US D843,896 S**  
(45) **Date of Patent:** **\*\* Mar. 26, 2019**

(54) **FRONT BUMPER**

(71) Applicant: **Jaguar Land Rover Limited**, Whitley,  
Coventry (GB)

(72) Inventors: **Matthew Beaven**, Coventry (GB);  
**Simon Tovey**, Coventry (GB)

(73) Assignee: **Jaguar Land Rover Limited**, Whitley,  
Coventry (GB)

(\*\*) Term: **15 Years**

(21) Appl. No.: **29/600,833**

(22) Filed: **Apr. 17, 2017**

(30) **Foreign Application Priority Data**

Oct. 17, 2016 (EM) ..... 003421940-0002  
Oct. 17, 2016 (EM) ..... 003421940-0003  
Oct. 17, 2016 (EM) ..... 003421940-0007

(51) **LOC (11) Cl.** ..... **12-16**

(52) **U.S. Cl.**  
USPC ..... **D12/169**

(58) **Field of Classification Search**  
USPC ..... D12/173, 169, 92, 163, 86, 90-91, 171,  
D12/196, 216  
CPC ..... B60R 19/02; B60R 19/04; B62D 25/08  
See application file for complete search history.

(56) **References Cited**

**U.S. PATENT DOCUMENTS**

D696,608 S \* 12/2013 Jeon ..... D12/92  
D733,623 S \* 7/2015 Robinson ..... D12/169  
D741,228 S \* 10/2015 Curic ..... D12/92  
D747,243 S \* 1/2016 Patel ..... D12/169  
D770,337 S \* 11/2016 Wolff ..... D12/169  
D787,376 S \* 5/2017 Wolff ..... D12/92  
D800,035 S \* 10/2017 Takamatsu ..... D12/169  
D801,873 S \* 11/2017 Lamberty ..... D12/92  
D811,288 S \* 2/2018 Bucher ..... D12/169

D811,941 S \* 3/2018 Buck ..... D12/92  
D814,977 S \* 4/2018 Lee ..... D12/92  
D823,731 S \* 7/2018 Kim ..... D12/92  
D826,092 S \* 8/2018 Manzoni ..... D12/92

\* cited by examiner

*Primary Examiner* — Robin V Webster

*Assistant Examiner* — Rachel A Voorhies

(74) *Attorney, Agent, or Firm* — Wood Herron & Evans  
LLP

(57) **CLAIM**

The ornamental design for a front bumper, as shown and  
described in FIGS. 1-10.

**DESCRIPTION**

FIG. 1 is a front right perspective view of a front bumper for  
a vehicle according to the present invention.

FIG. 2 is a front left perspective view of the front bumper  
shown in FIG. 1.

FIG. 3 is a rear left perspective view thereof.

FIG. 4 is a rear right perspective view thereof.

FIG. 5 is a front view thereof.

FIG. 6 is a rear view thereof.

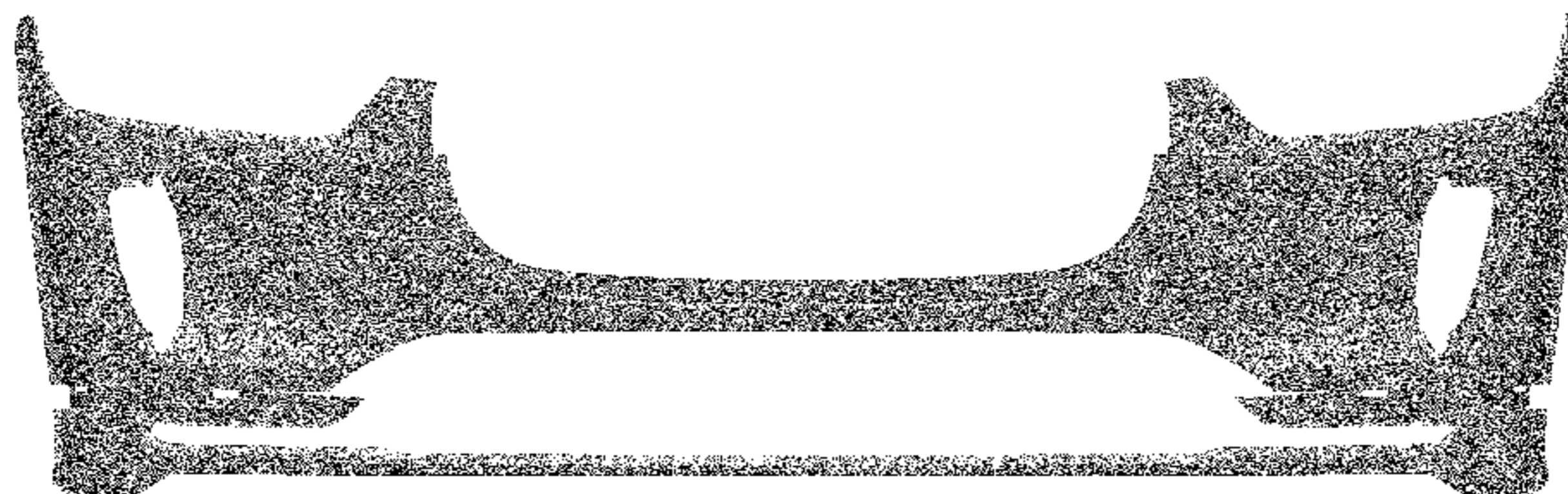
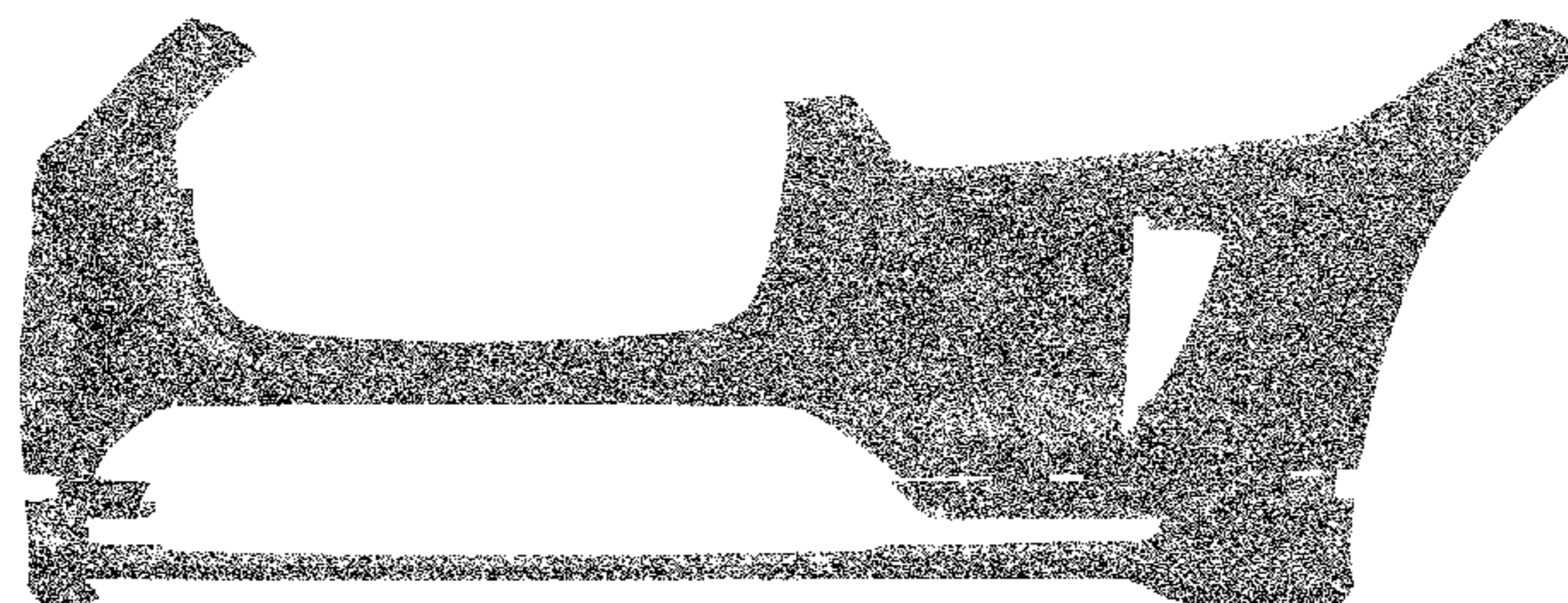
FIG. 7 is a left side view thereof.

FIG. 8 is a right side view thereof.

FIG. 9 is a top view thereof; and,

FIG. 10 is a front left perspective view of the front bumper  
shown in FIGS. 1-9, mounted on a vehicle, with the vehicle  
shown in de-emphasized and half-tone portions so as to  
illustrate environmental structure. These portions form no  
part of the claimed invention. More particularly, in FIG. 10,  
the inventive front bumper is shown within the outer periph-  
eral broken line and the elements shown outside of the outer  
peripheral broken line form no part of the claimed invention,  
but are instead included to show environmental aspects  
thereof. FIG. 10 also includes an inner broken line located  
entirely inside the outer broken line, and the elements inside  
the inner broken line form no part of the invention.

**1 Claim, 10 Drawing Sheets**



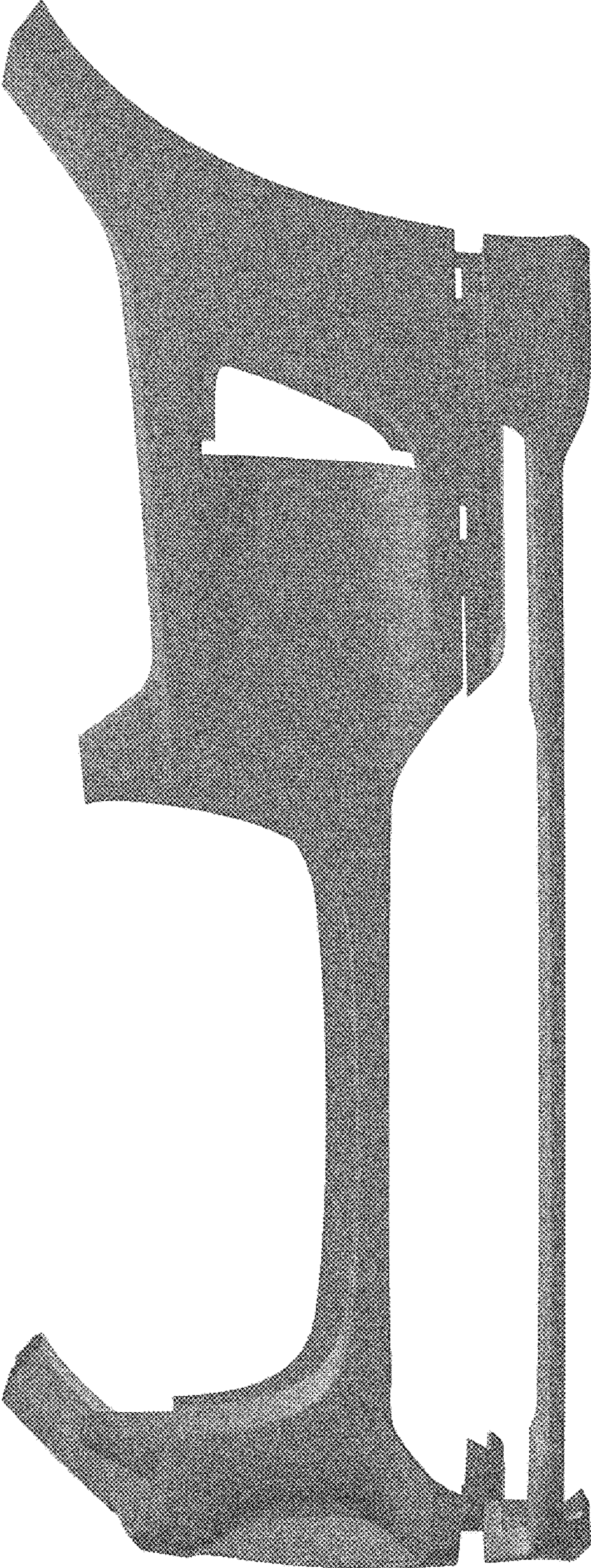


FIG. 1

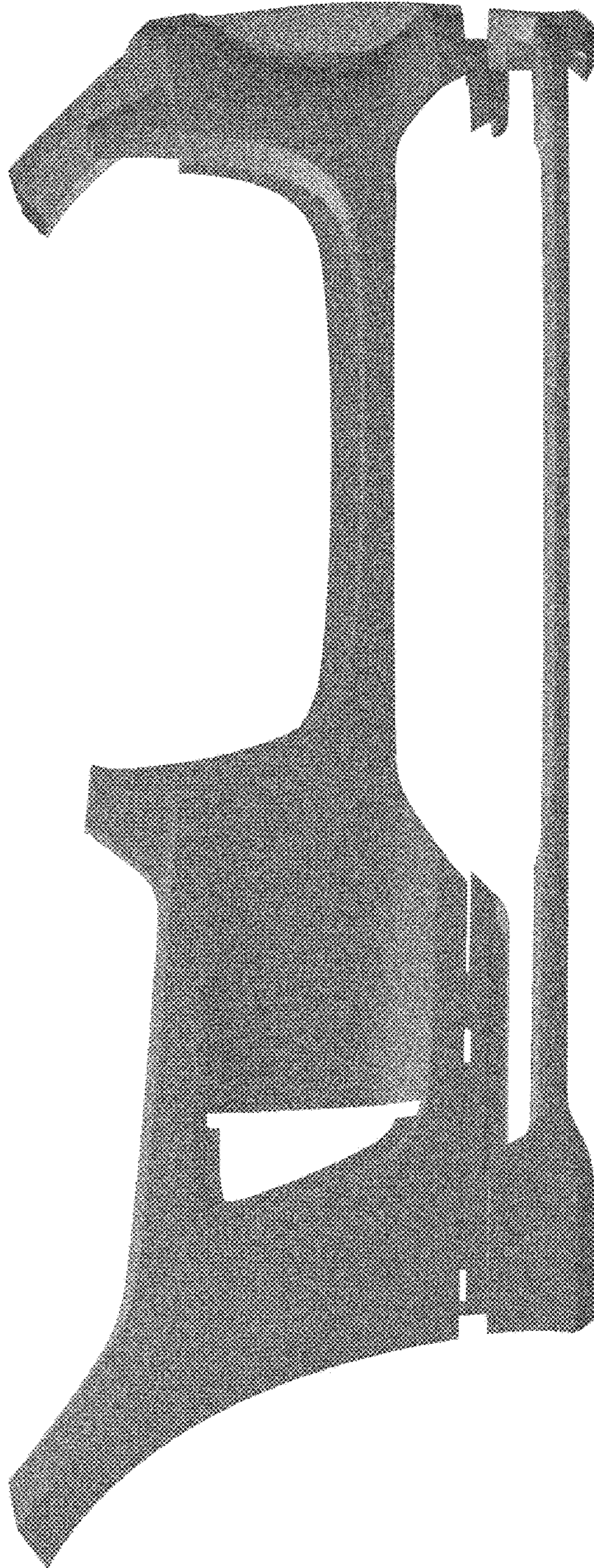


FIG. 2

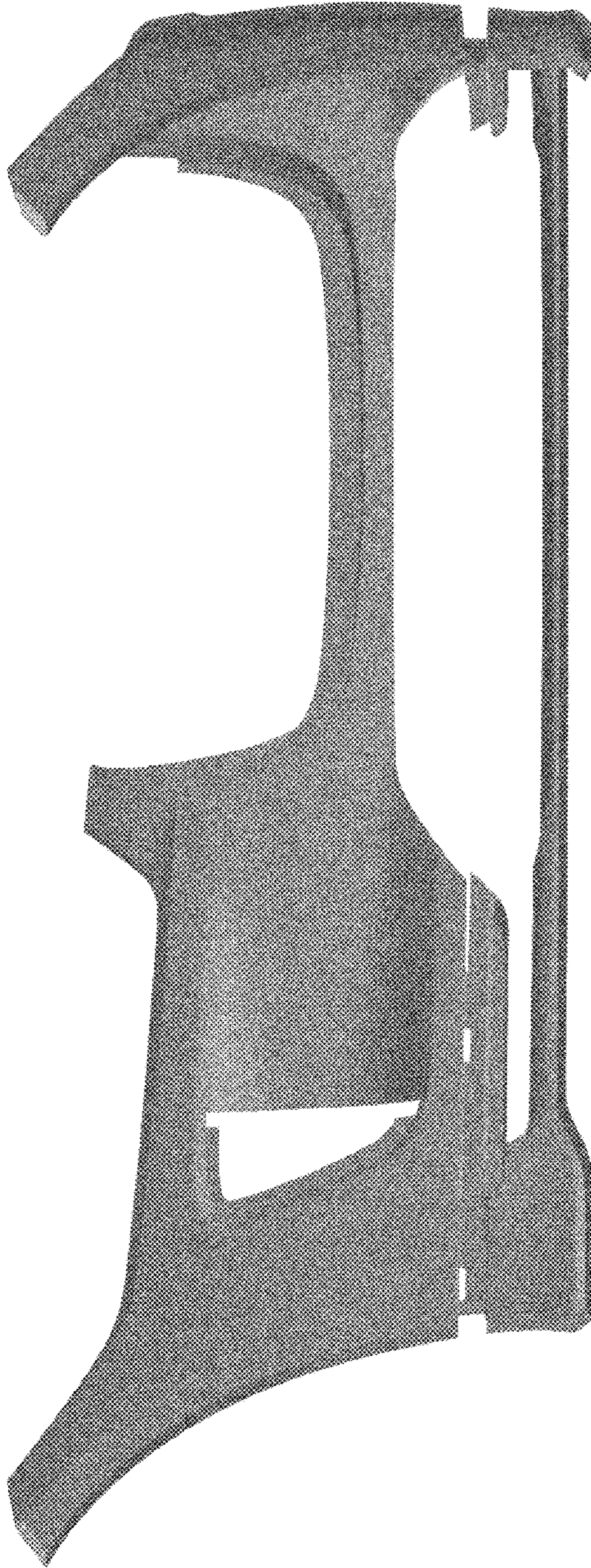


FIG. 3

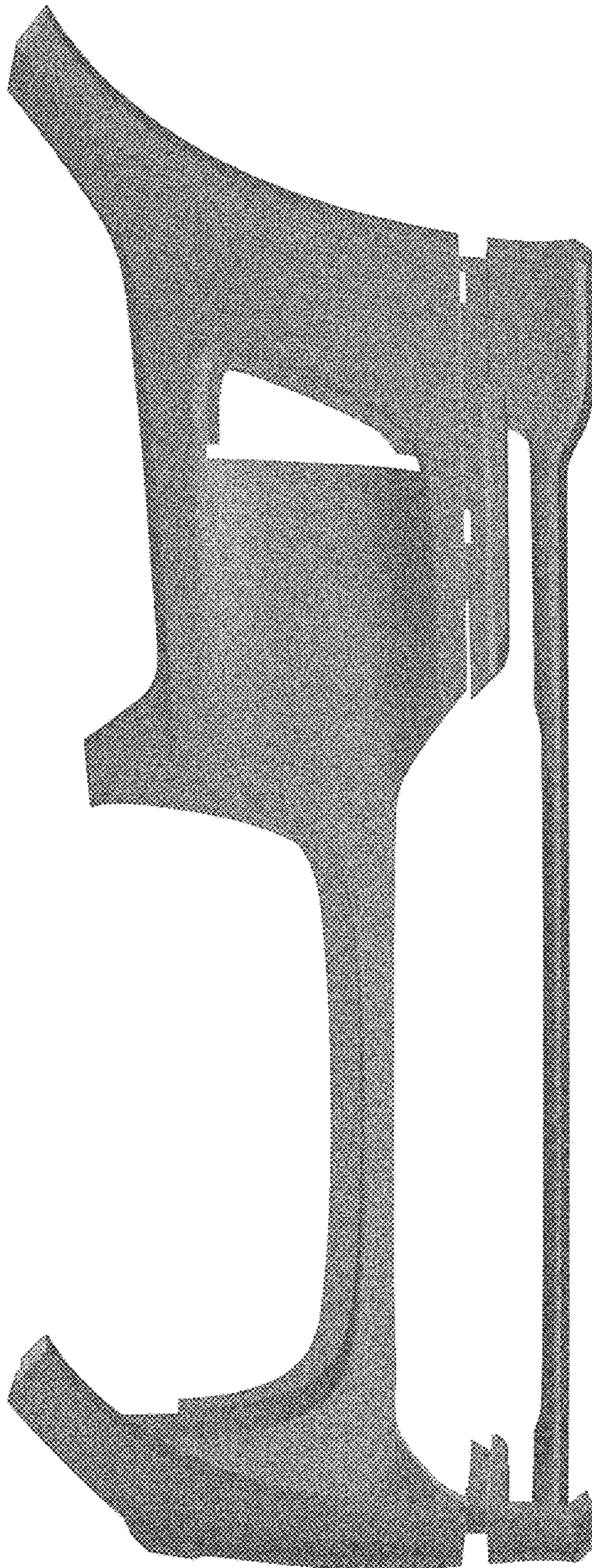


FIG. 4

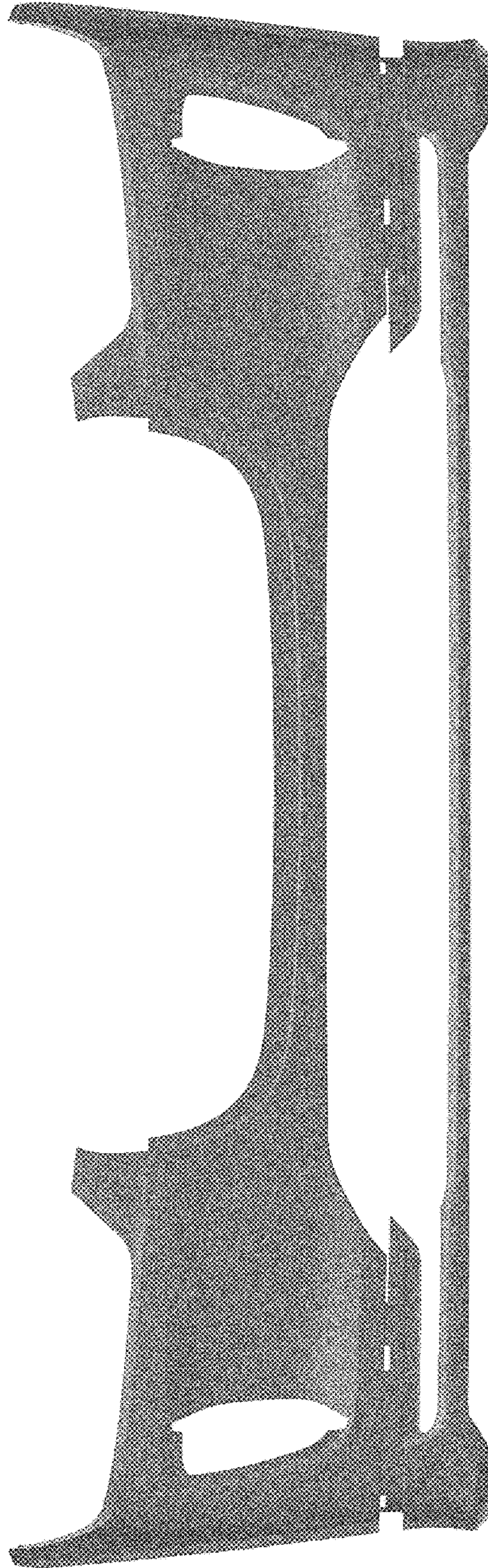


FIG. 5

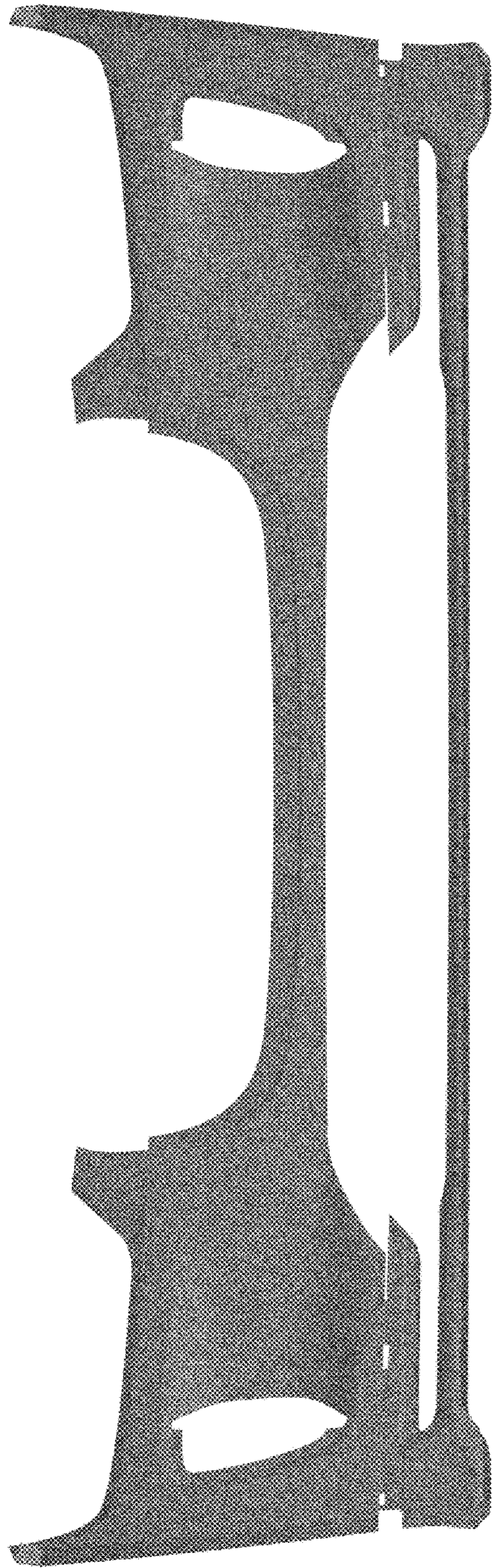


FIG. 6

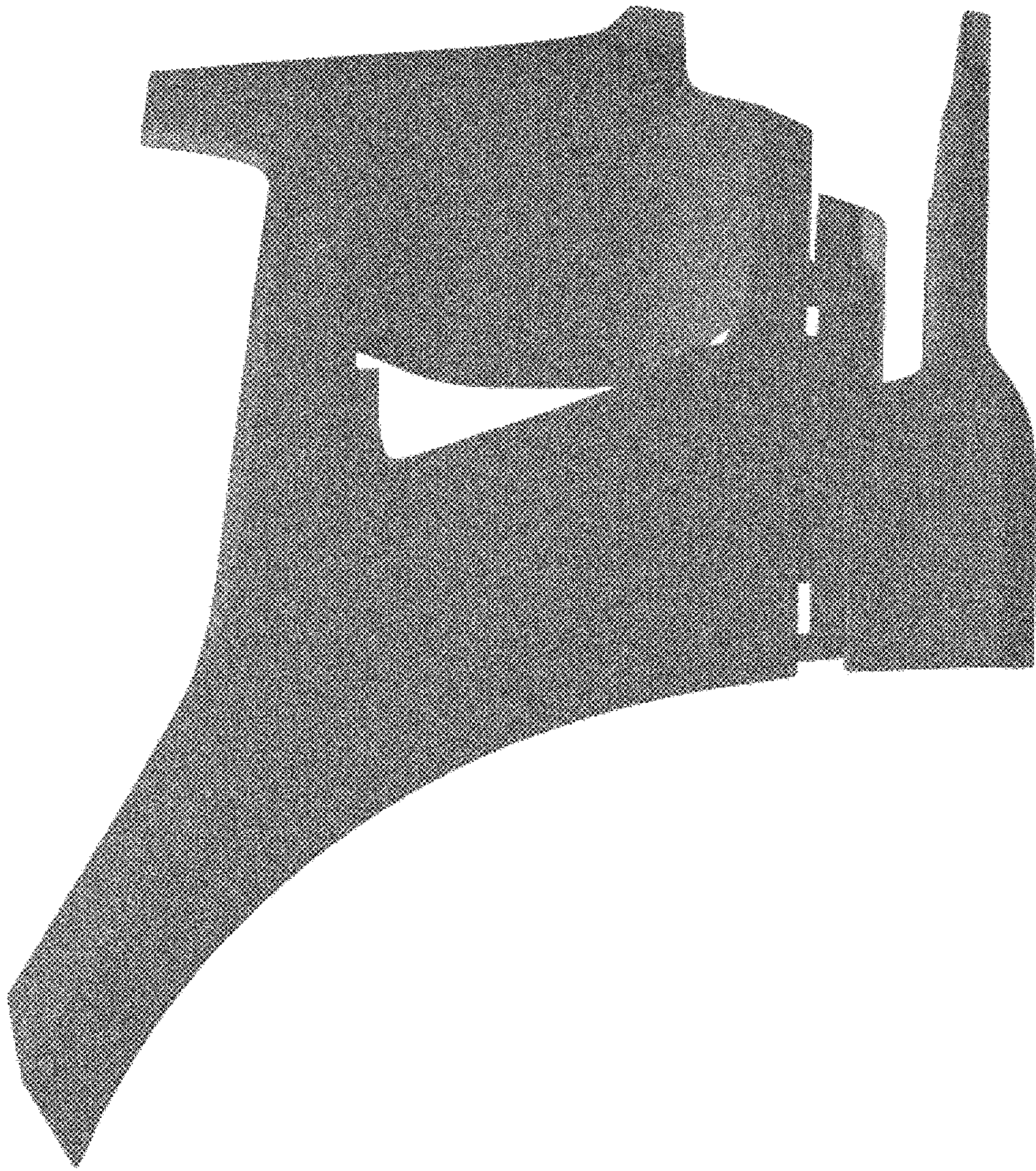


FIG. 7



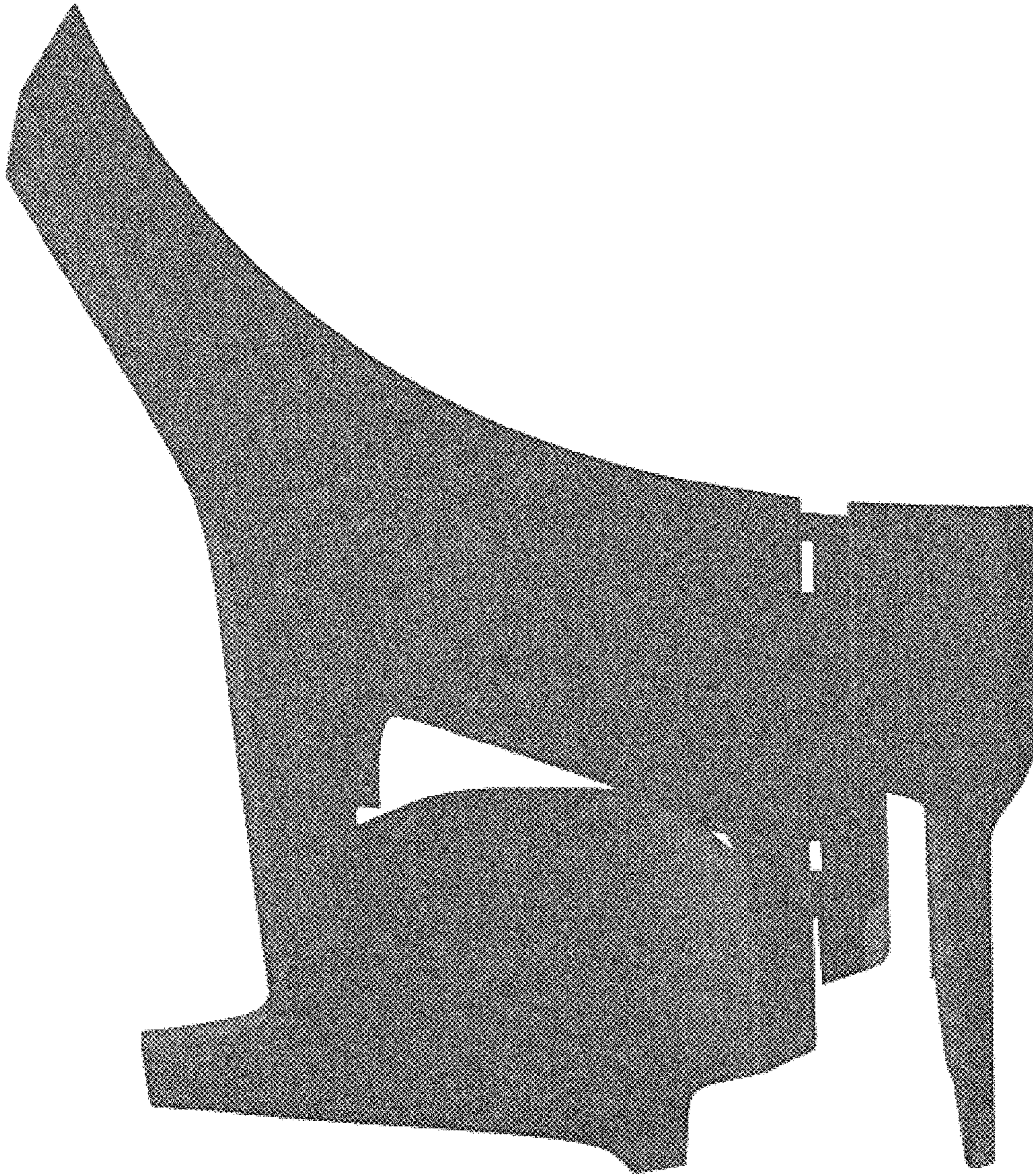


FIG. 8

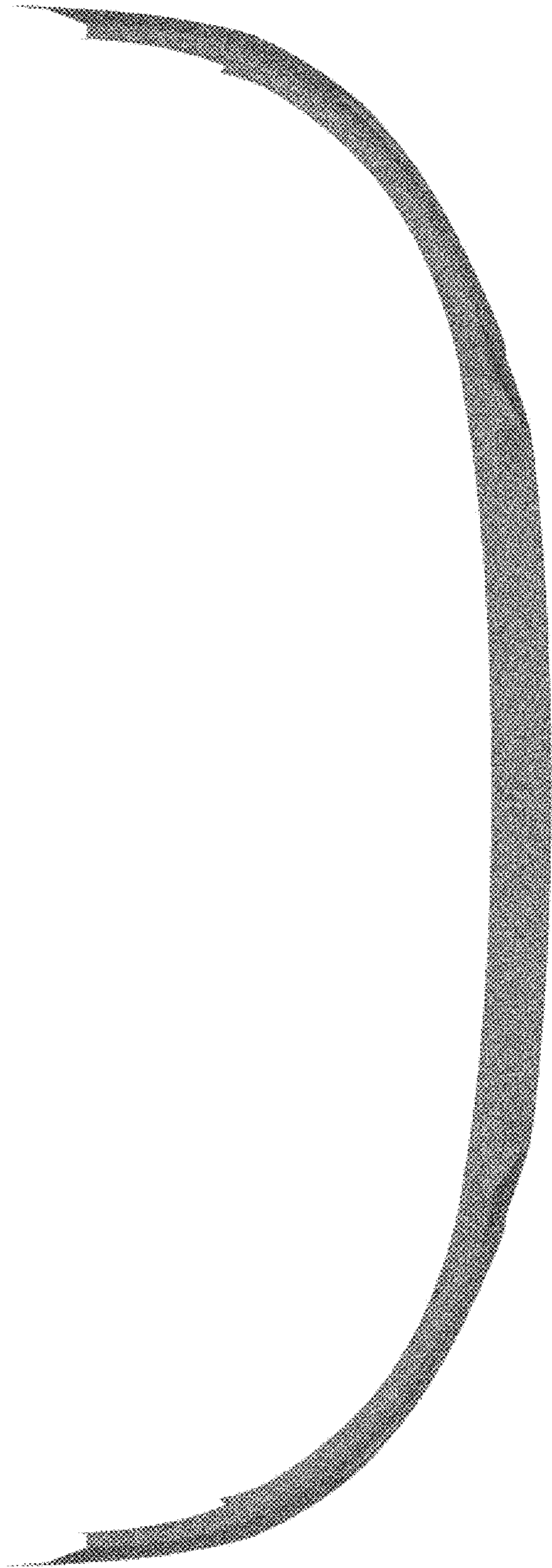


FIG. 9

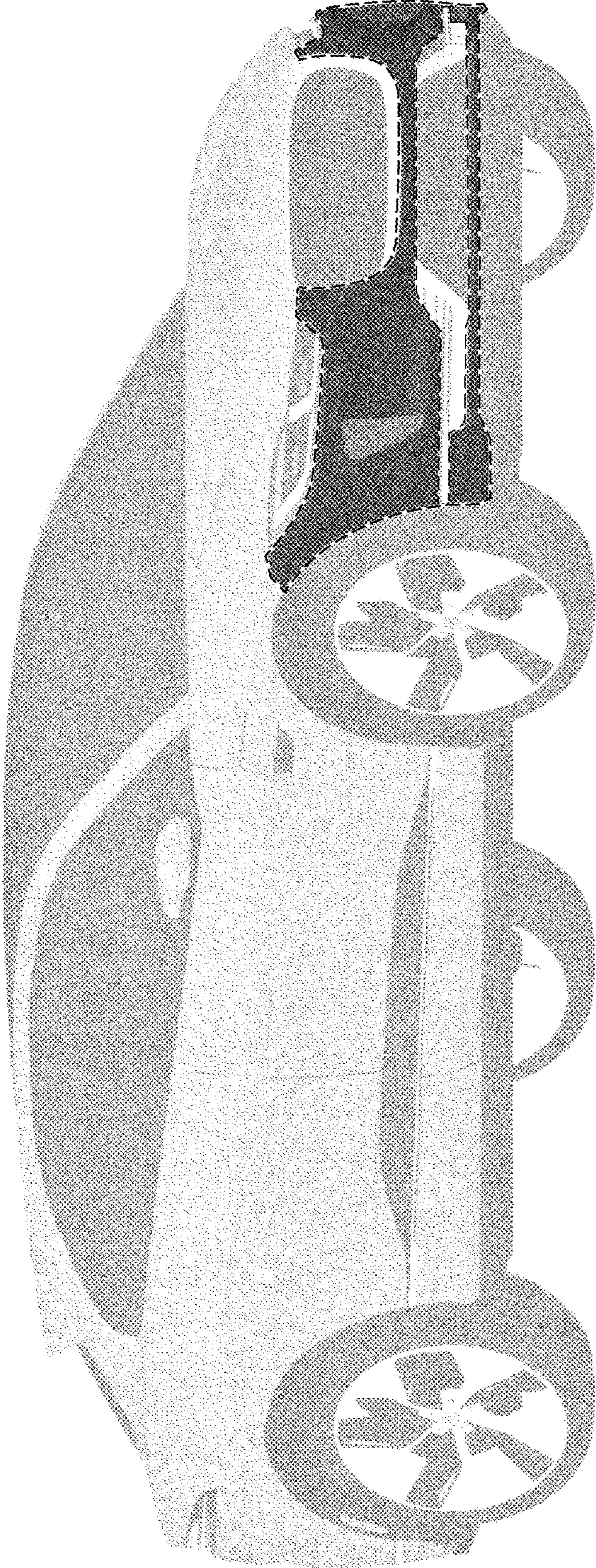


FIG. 10