



US00D843893S

(12) **United States Design Patent**
Reiter et al.

(10) **Patent No.:** **US D843,893 S**

(45) **Date of Patent:** **** Mar. 26, 2019**

(54) **BICYCLE FRAME**

(71) Applicant: **Specialized Bicycle Components, Inc.**,
Morgan Hill, CA (US)

(72) Inventors: **Jonas Reiter**, Zug (CH); **Tero Jakku**,
Bonstetten (CH); **Vincent Patureau**,
Zurich (CH); **Holger Krauss**,
Schorndorf (DE); **Marco Sonderegger**,
Cham (CH); **Jan Talavasek**, Knonau
(CH)

(73) Assignee: **SPECIALIZED BICYCLE**
COMPONENTS, INC., Morgan Hill,
CA (US)

(**) Term: **15 Years**

(21) Appl. No.: **29/608,584**

(22) Filed: **Jun. 22, 2017**

(51) **LOC (11) Cl.** **12-11**

(52) **U.S. Cl.**
USPC **D12/111**

(58) **Field of Classification Search**
USPC D12/111, 117, 406, 407
CPC . B62K 3/00; B62K 3/005; B62K 9/00; B62K
19/00; B62K 19/02; B62K 19/04; B62K
19/06; B62K 19/16

See application file for complete search history.

(56) **References Cited**

U.S. PATENT DOCUMENTS

| | | | | |
|--------------|---------|----------|-------|---------|
| D405,030 S * | 2/1999 | Frost | | D12/111 |
| D418,778 S * | 1/2000 | Allen | | D12/111 |
| D419,110 S * | 1/2000 | Allen | | D12/111 |
| D517,452 S * | 3/2006 | Hickman | | D12/111 |
| D604,205 S * | 11/2009 | Cattaneo | | D12/111 |
| D637,527 S * | 5/2011 | Choi | | D12/111 |
| D686,950 S * | 7/2013 | Lin | | D12/111 |

| | | | | |
|--------------|---------|-------------|-------|---------|
| D689,408 S * | 9/2013 | Kim | | D12/111 |
| D721,014 S * | 1/2015 | Kahler, Jr. | | D12/111 |
| D722,285 S * | 2/2015 | Silva | | D12/111 |
| D735,089 S * | 7/2015 | Gauthier | | D12/111 |
| D735,618 S * | 8/2015 | Lawson | | D12/111 |
| D774,970 S * | 12/2016 | D'Aluisio | | D12/111 |
| D785,509 S * | 5/2017 | Juhlin | | D12/111 |

* cited by examiner

Primary Examiner — Darlington Ly

(74) *Attorney, Agent, or Firm* — Michael Best &
Friedrich LLP

(57) **CLAIM**

We claim the ornamental design for a bicycle frame, as shown and described.

DESCRIPTION

FIG. 1 is a top, rear, and right side perspective view of a bicycle frame showing our new design in accordance to a first embodiment;

FIG. 2 is a right side elevation view thereof;

FIG. 3 is a left side elevation view thereof;

FIG. 4 is a front elevation view thereof;

FIG. 5 is a rear elevation view thereof;

FIG. 6 is a top plan view thereof; and

FIG. 7 is a bottom plan view thereof.

FIG. 8 is a top, rear, and right side perspective view of a bicycle frame showing our new design in accordance to a second embodiment;

FIG. 9 is a right side elevation view thereof;

FIG. 10 is a left side elevation view thereof;

FIG. 11 is a front elevation view thereof;

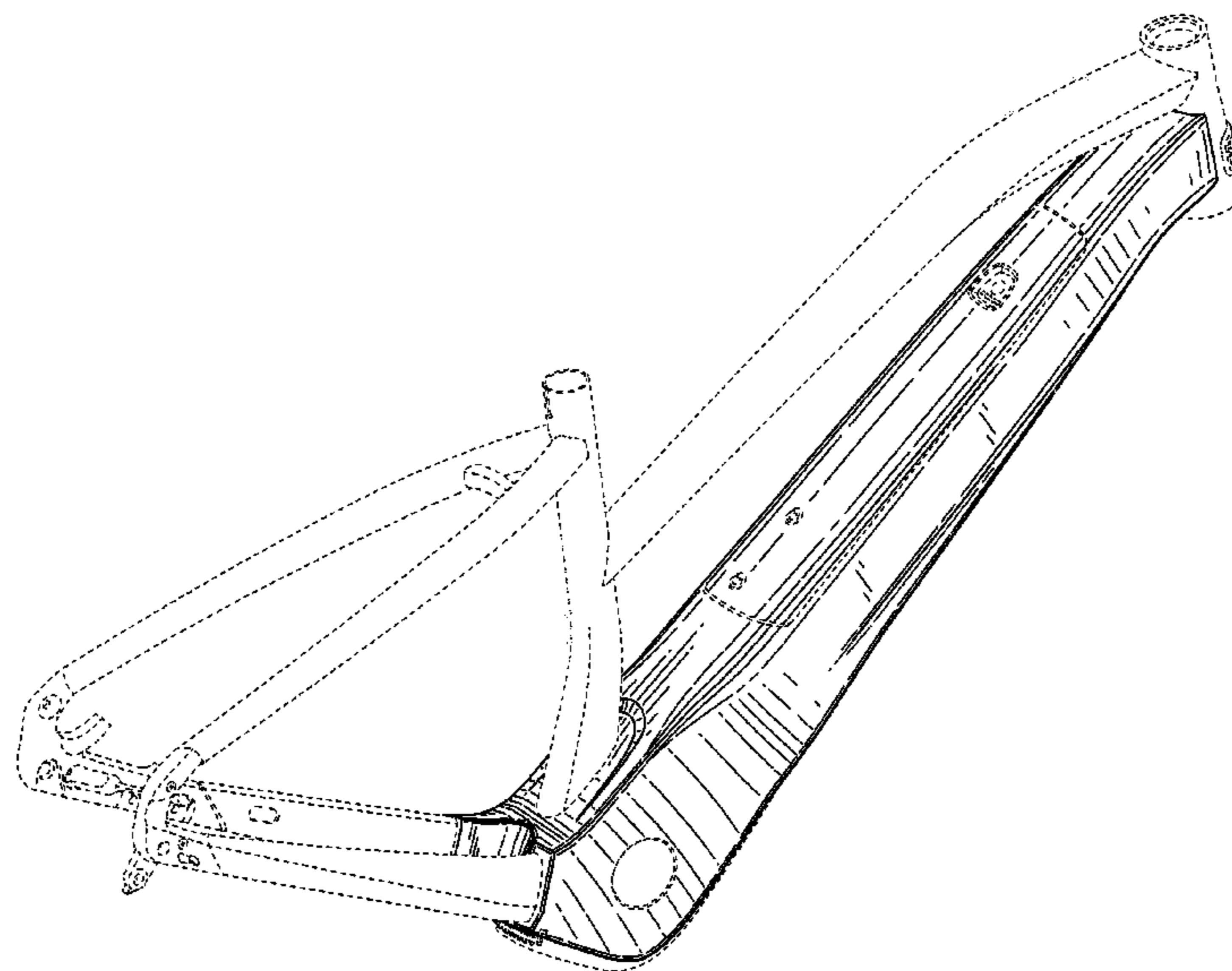
FIG. 12 is a rear elevation view thereof;

FIG. 13 is a top plan view thereof; and,

FIG. 14 is a bottom plan view thereof.

The broken lines in the drawings illustrate portions of the bicycle frame that form no part of the claimed design.

1 Claim, 14 Drawing Sheets



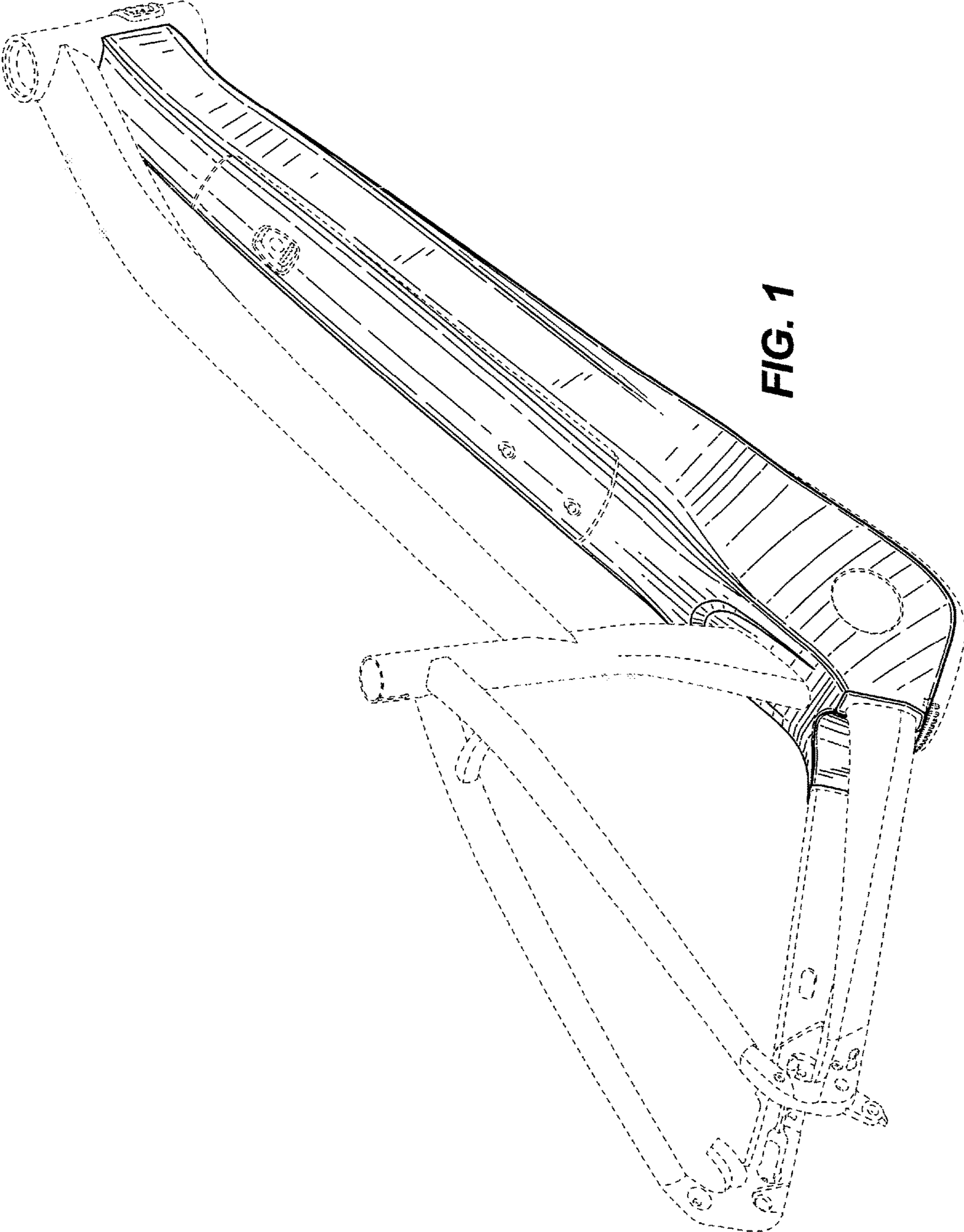


FIG. 1

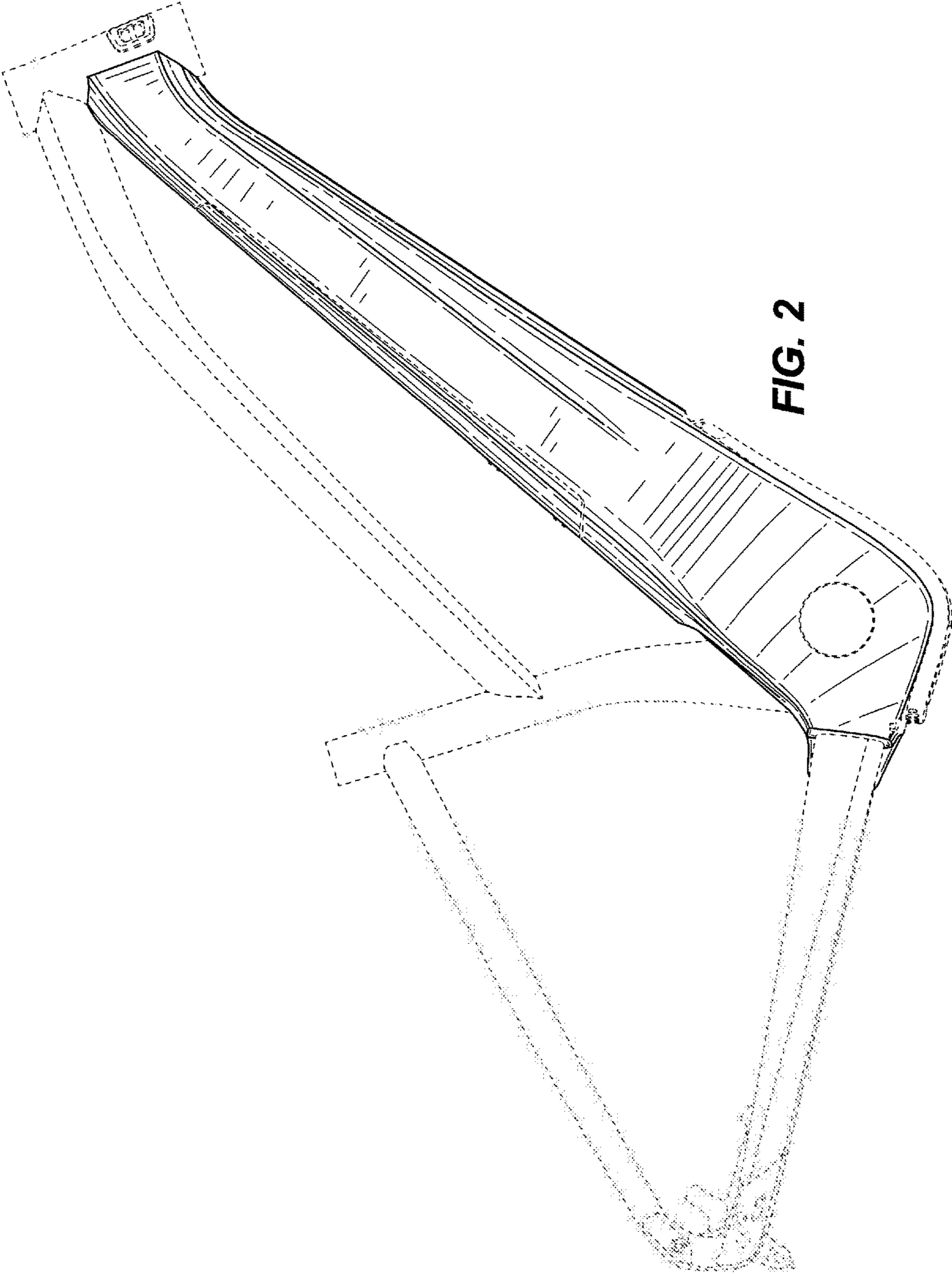


FIG. 2

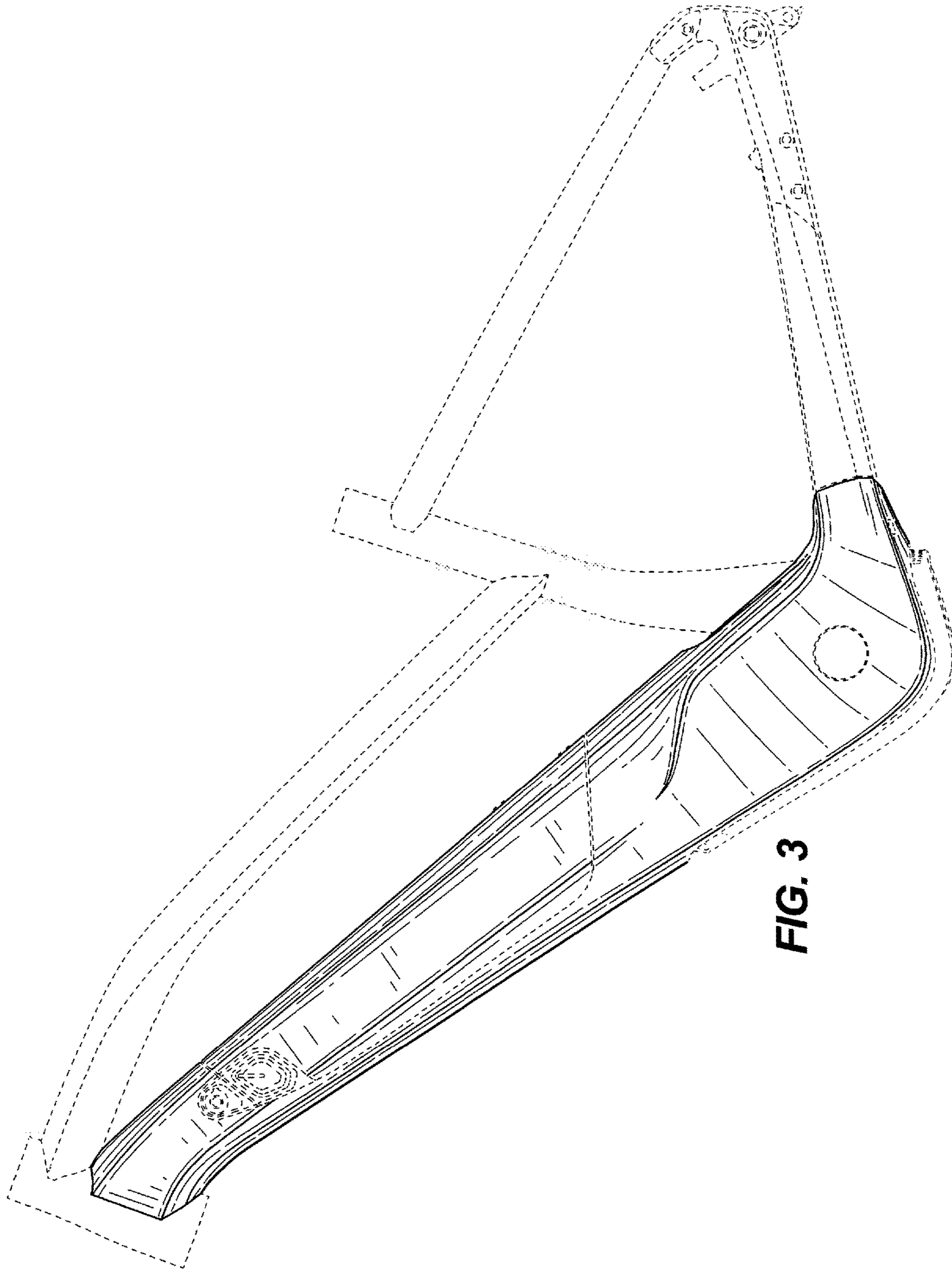


FIG. 3

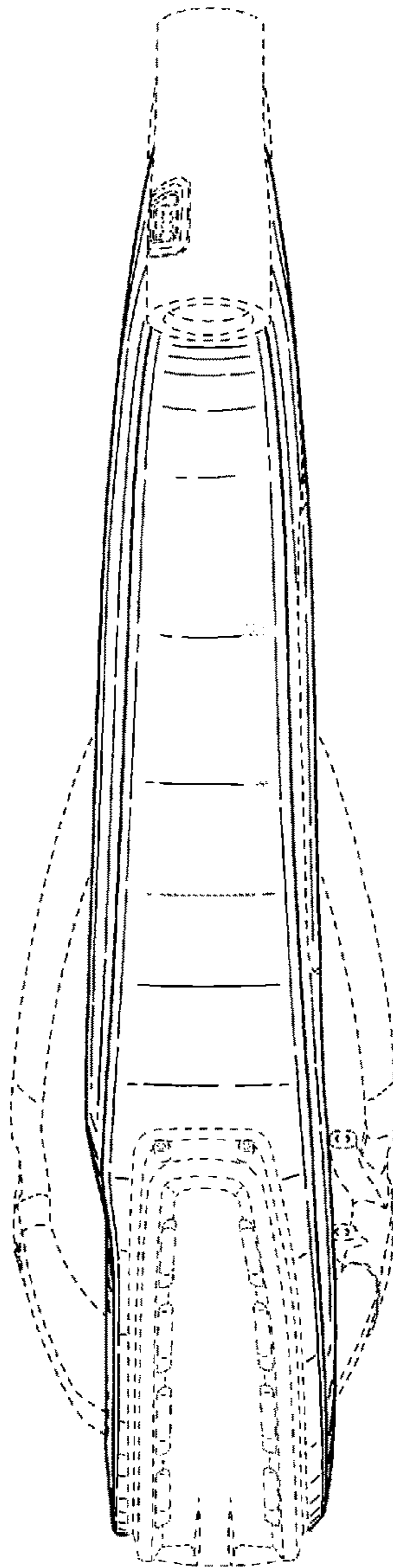


FIG. 4

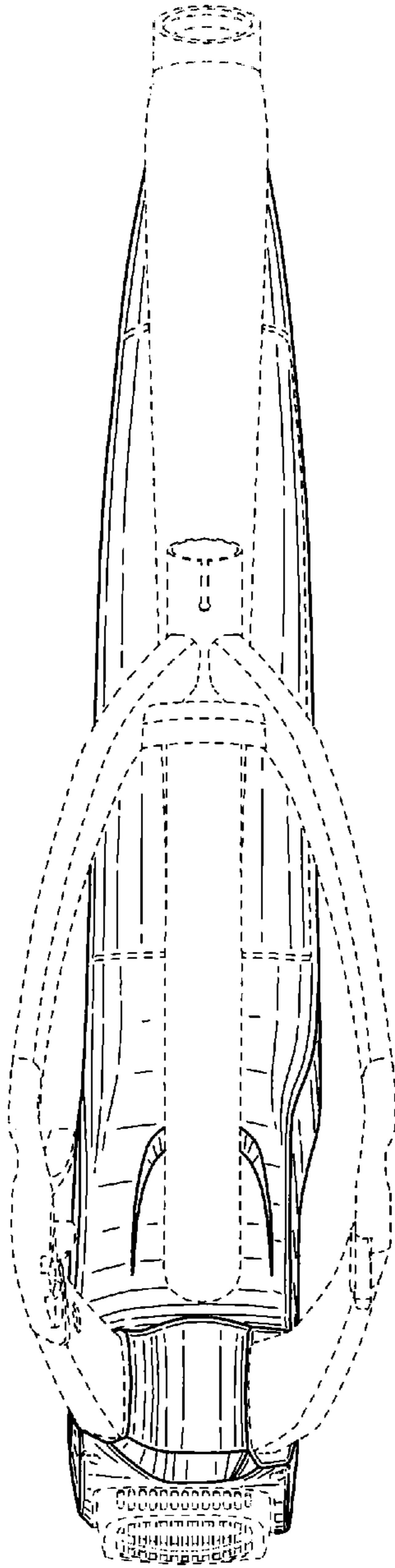


FIG. 5

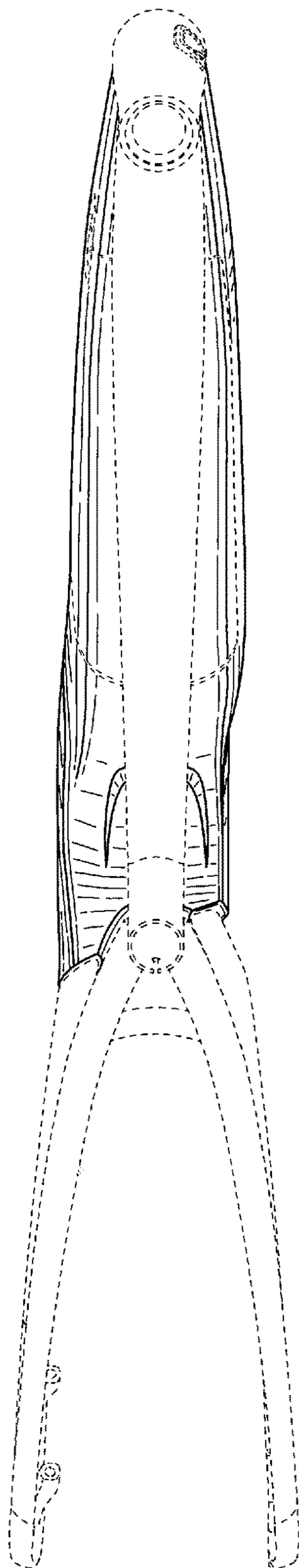


FIG. 6

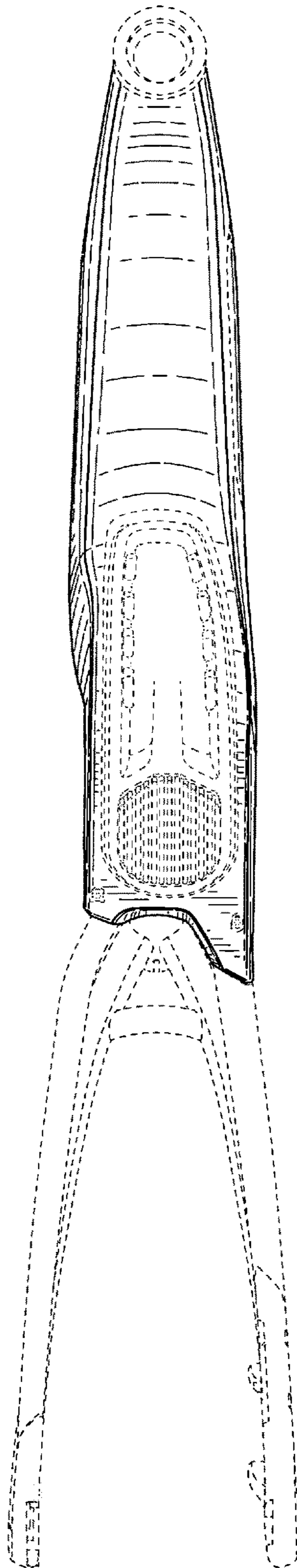


FIG. 7

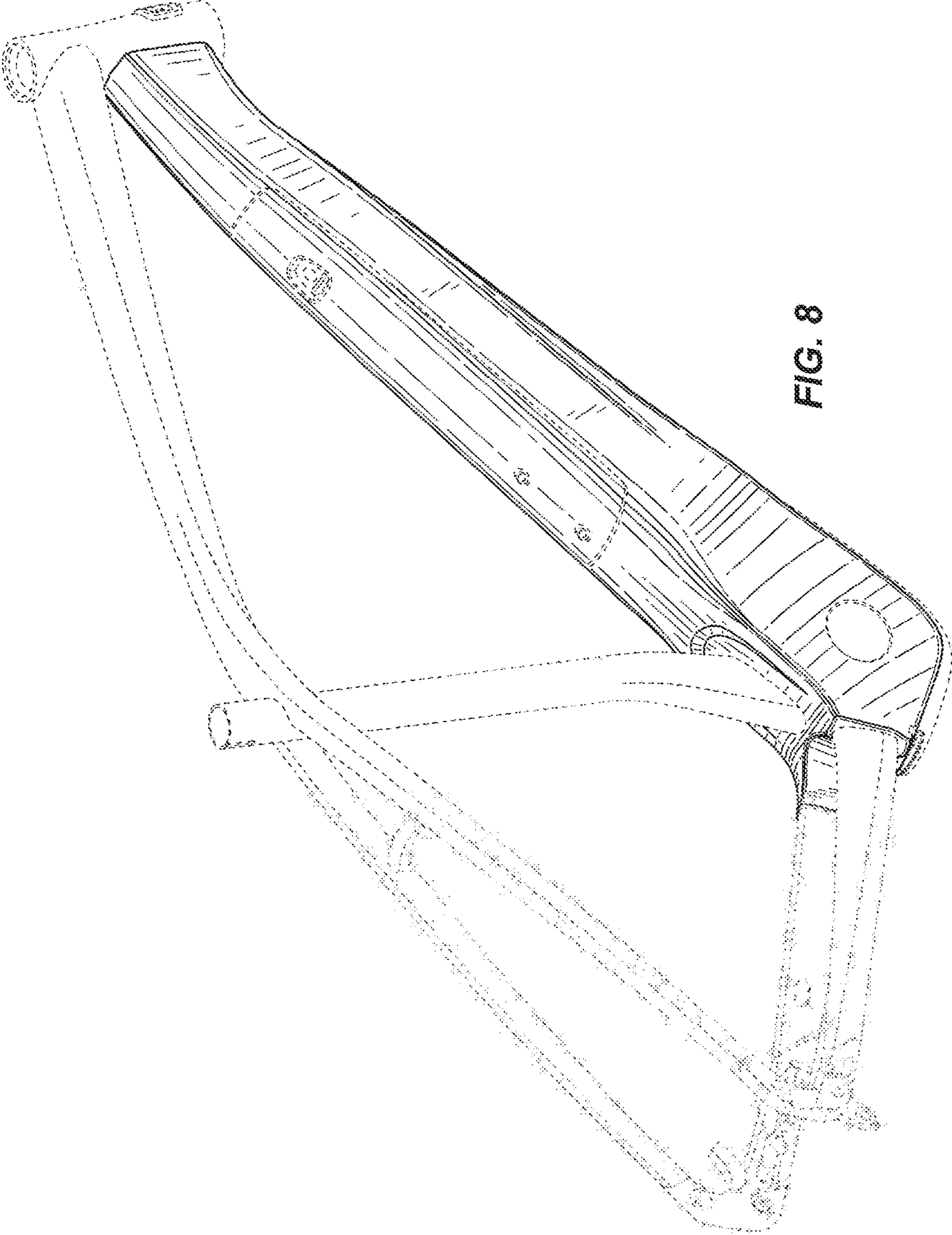


FIG. 8

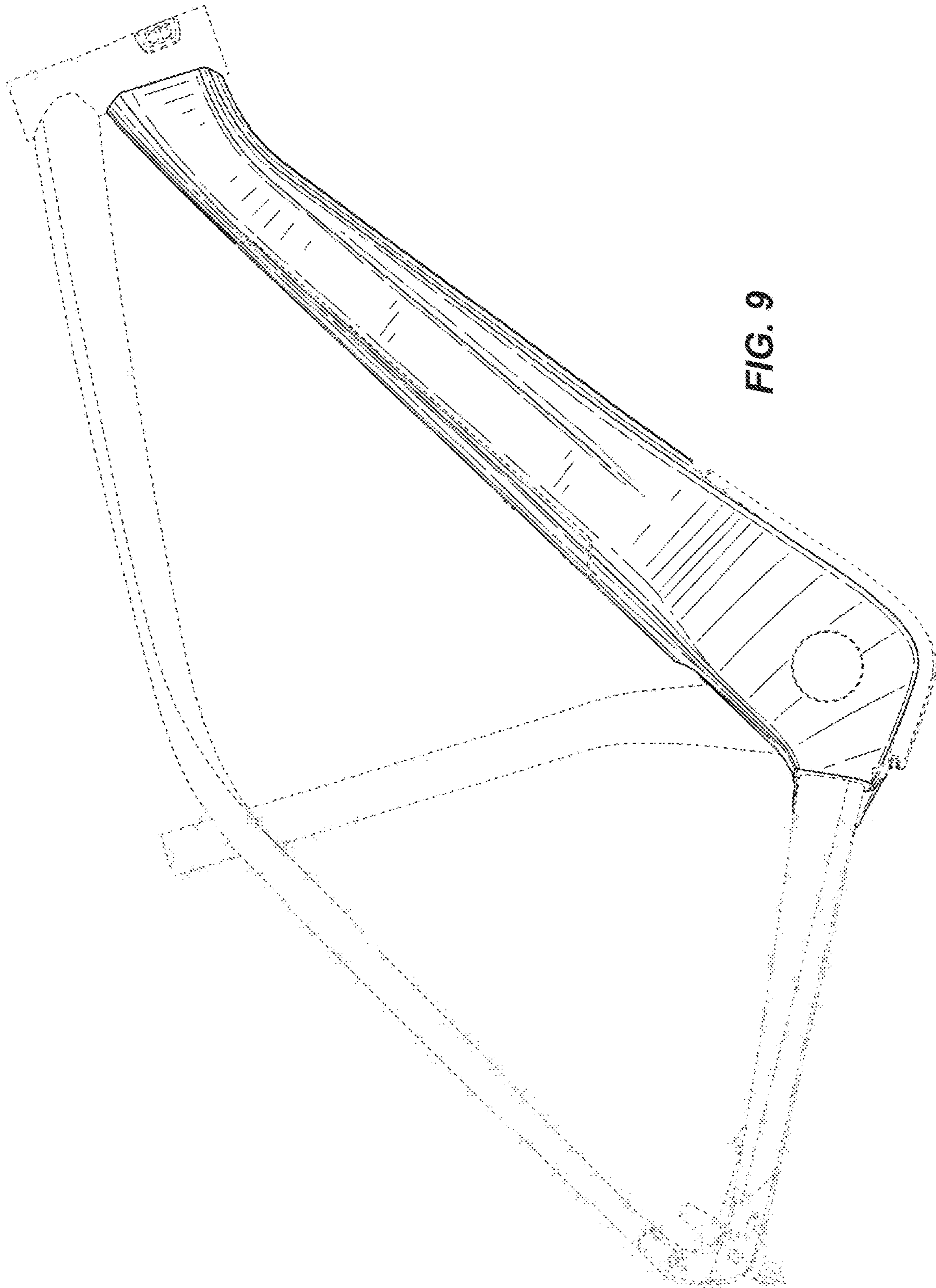


FIG. 9

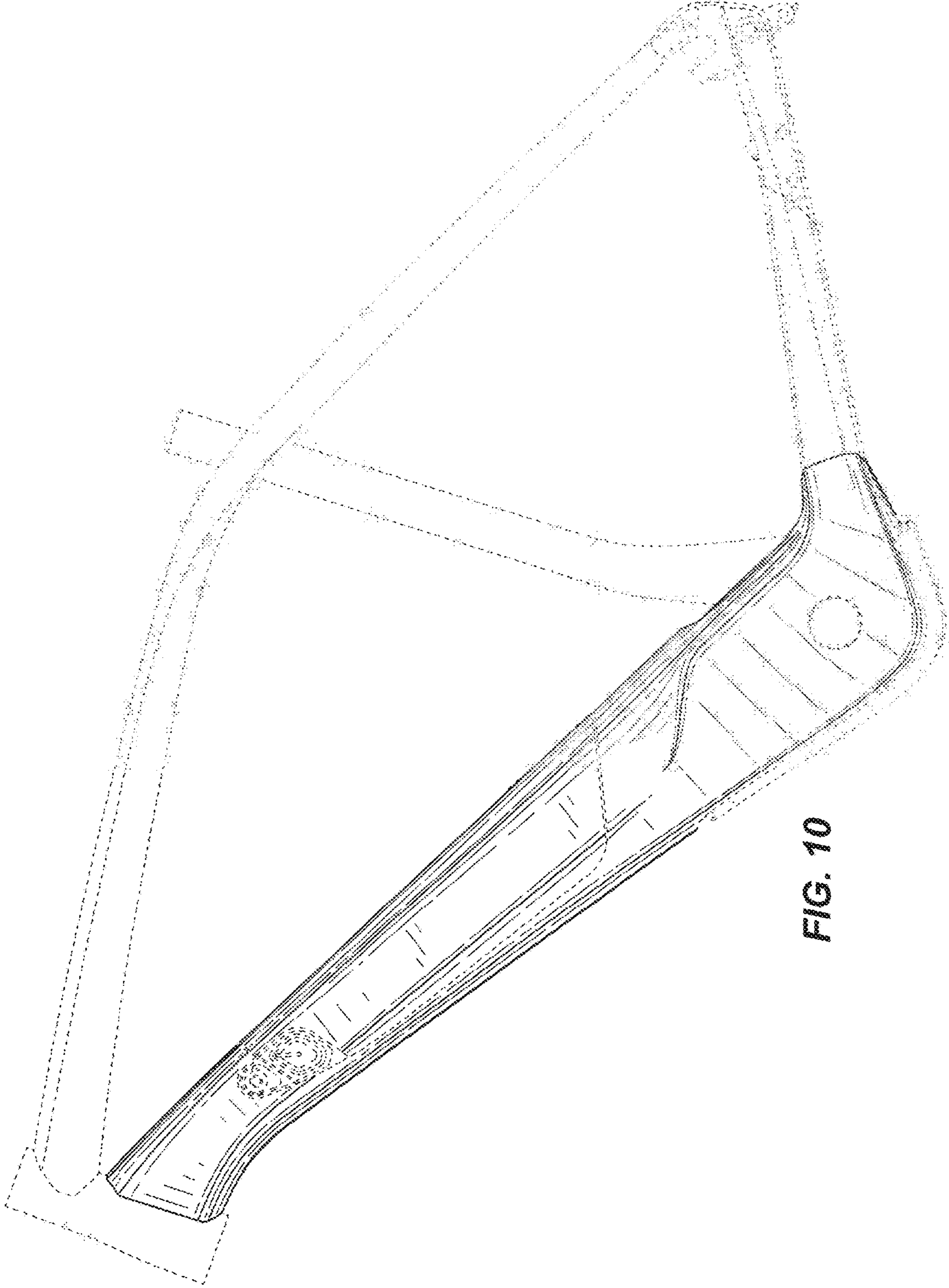


FIG. 10

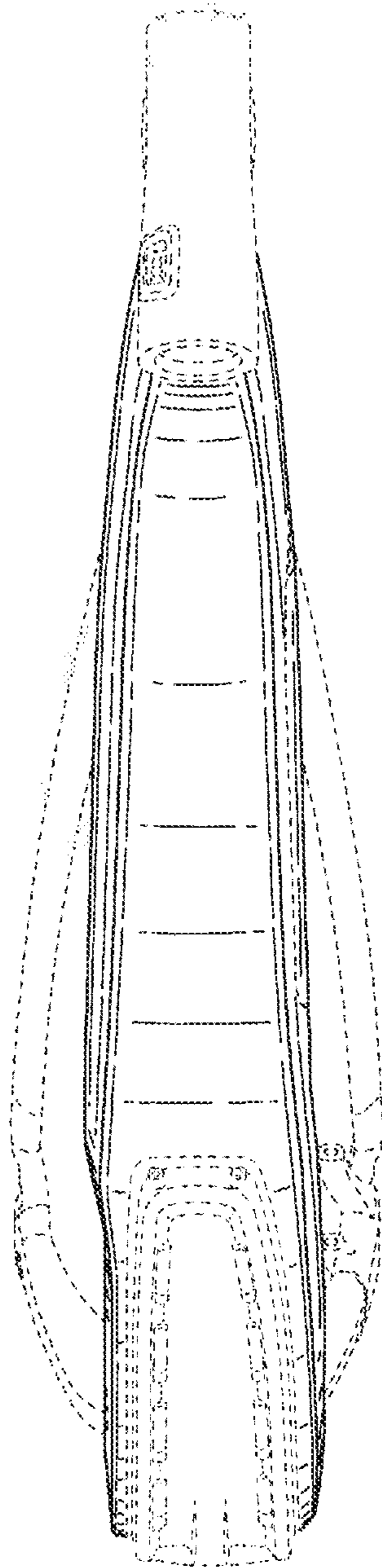


FIG. 11

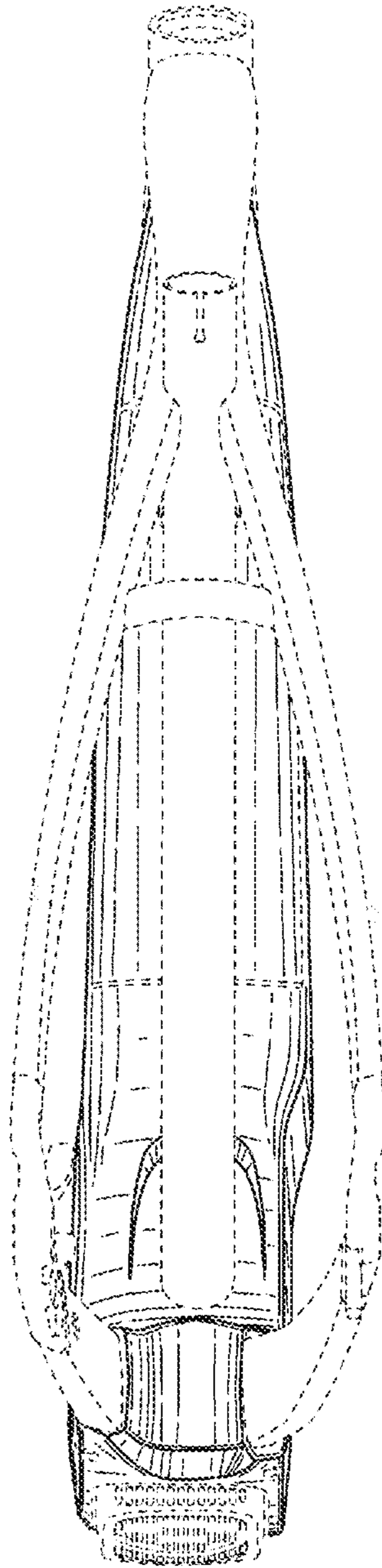


FIG. 12

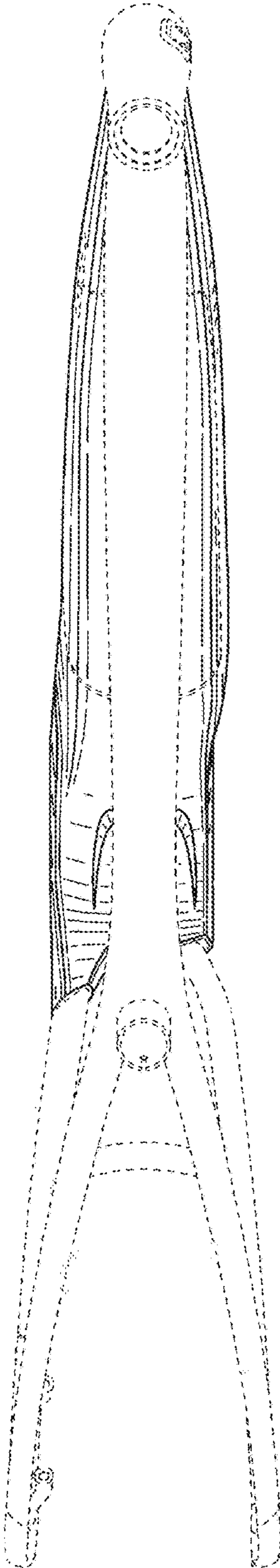


FIG. 13

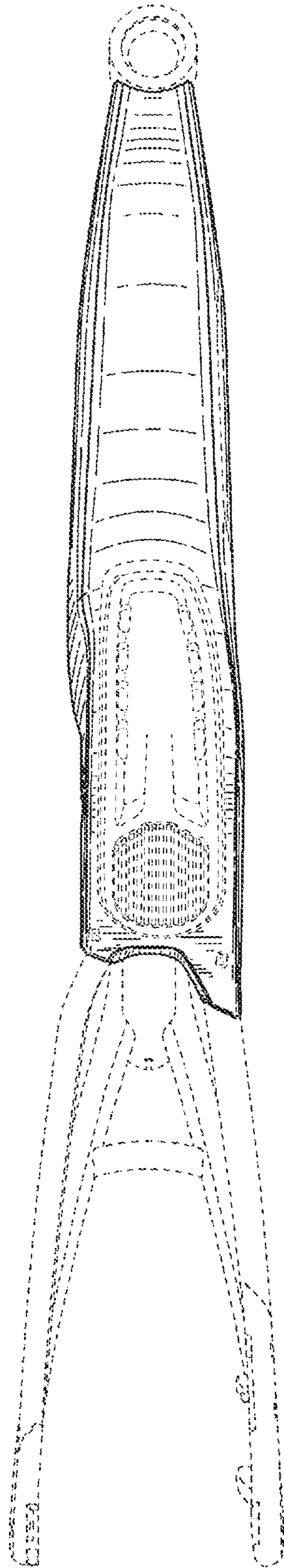


FIG. 14