



US00D843892S

(12) **United States Design Patent**
De Roeck

(10) **Patent No.:** **US D843,892 S**

(45) **Date of Patent:** **** Mar. 26, 2019**

- (54) **BICYCLE TRAILER**
- (71) Applicant: **The Chillafish Company, N.V.**,
Antwerp (BE)
- (72) Inventor: **Sebastian Annemie B De Roeck**,
Westmalle (BE)
- (73) Assignee: **The Chillafish Company, N.V.**,
Antwerp (BE)

- D326,070 S * 5/1992 Hollingworth, Jr. D12/101
- 5,123,668 A * 6/1992 Ligas B62K 27/12
280/204
- D369,629 S * 5/1996 Pasin D21/425
- D376,773 S * 12/1996 Bell D12/101
- D382,309 S * 8/1997 Brown D21/425
- D400,476 S * 11/1998 Winchester D12/102
- D414,720 S * 10/1999 Everett D12/101
- 6,305,703 B1 * 10/2001 Quick B62K 27/003
280/204
- D466,560 S * 12/2002 Stolpmann D21/419

(**) Term: **15 Years**

(21) Appl. No.: **29/599,353**

(22) Filed: **Apr. 3, 2017**

(30) **Foreign Application Priority Data**

Oct. 13, 2016 (EM) 003417492-0002

(51) **LOC (11) Cl.** **12-10**

(52) **U.S. Cl.**
USPC **D12/101; D21/425**

(58) **Field of Classification Search**
USPC D12/101, 102, 103, 104, 105, 106, 19,
D12/219, 111, 162, 400; D21/419, 423,
D21/424, 425, 426, 427, 428, 431, 432,
D21/433, 434, 435

CPC B62B 1/008; B62B 1/18; B62K 27/003;
B62K 27/12

See application file for complete search history.

(56) **References Cited**

U.S. PATENT DOCUMENTS

- 2,725,242 A * 11/1955 Peplin B62K 27/003
280/204
- 3,877,723 A * 4/1975 Fahey B62B 1/18
280/204
- 4,274,649 A * 6/1981 Vanderhorst B62K 27/12
280/204
- D285,322 S * 8/1986 Appel D21/425

OTHER PUBLICATIONS

Amazon.com. "Step2 Tag-Along Trailer Plus (Willow Green)" First reviewed Jun. 27, 2007. Retrieved Sep. 6, 2018. <https://www.amazon.com/Step2-Tag-Along-Trailer-Willow-Green/dp/B000B74E9K/>.*

(Continued)

Primary Examiner — Susan E Krakower

Assistant Examiner — Jerry Shiuan-Hua Hsu

(74) *Attorney, Agent, or Firm* — Kirschstein, Israel,
Schiffmiller & Pieroni, P.C.

(57) **CLAIM**

The ornamental design for a bicycle trailer, as shown.

DESCRIPTION

FIG. 1 is a front, overhead, perspective view of a bicycle trailer according to my new design.

FIG. 2 is a rear, overhead, perspective view thereof.

FIG. 3 is a rear elevational view thereof.

FIG. 4 is a front elevational view thereof.

FIG. 5 is a left side elevational view thereof.

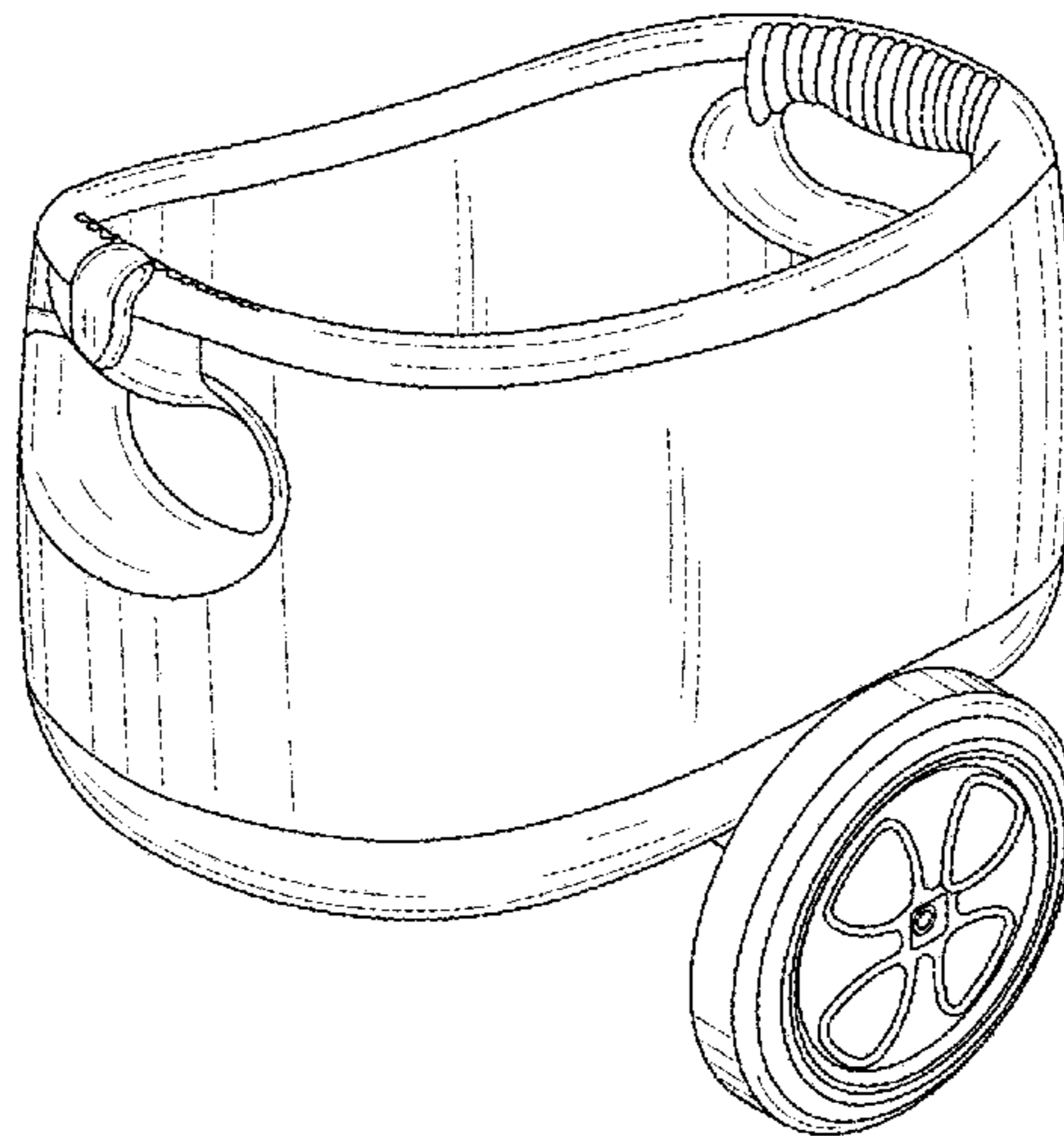
FIG. 6 is a right side elevational view thereof.

FIG. 7 is a top plan view thereof; and,

FIG. 8 is a bottom plan view thereof.

The broken lines depict portions of the bicycle trailer that form no part of the claimed design.

1 Claim, 8 Drawing Sheets



(56)

References Cited

U.S. PATENT DOCUMENTS

D515,464 S * 2/2006 DeShong D12/101
D522,409 S * 6/2006 Wittkowski D12/101
7,131,657 B1 * 11/2006 Witt B62K 27/003
280/292
D560,728 S * 1/2008 Chung D21/427
D579,061 S * 10/2008 Brockmeyer D21/425
D601,059 S * 9/2009 Greer D12/101
D609,756 S * 2/2010 Badanjo D21/419
8,087,683 B2 * 1/2012 James B62B 1/008
280/204
D695,647 S * 12/2013 Manley D12/101
D733,006 S * 6/2015 Spaeth D12/102
D760,122 S * 6/2016 Guidry D12/101
D779,380 S * 2/2017 van den Berg D12/101
D782,580 S * 3/2017 Herlitz D21/425

OTHER PUBLICATIONS

Youtube.com. "Chillafish Quadie Trailie" Uploaded Apr. 5, 2017.
Retrieved Sep. 10, 2018. <https://www.youtube.com/watch?v=as1fCaFrQoc>.*

* cited by examiner

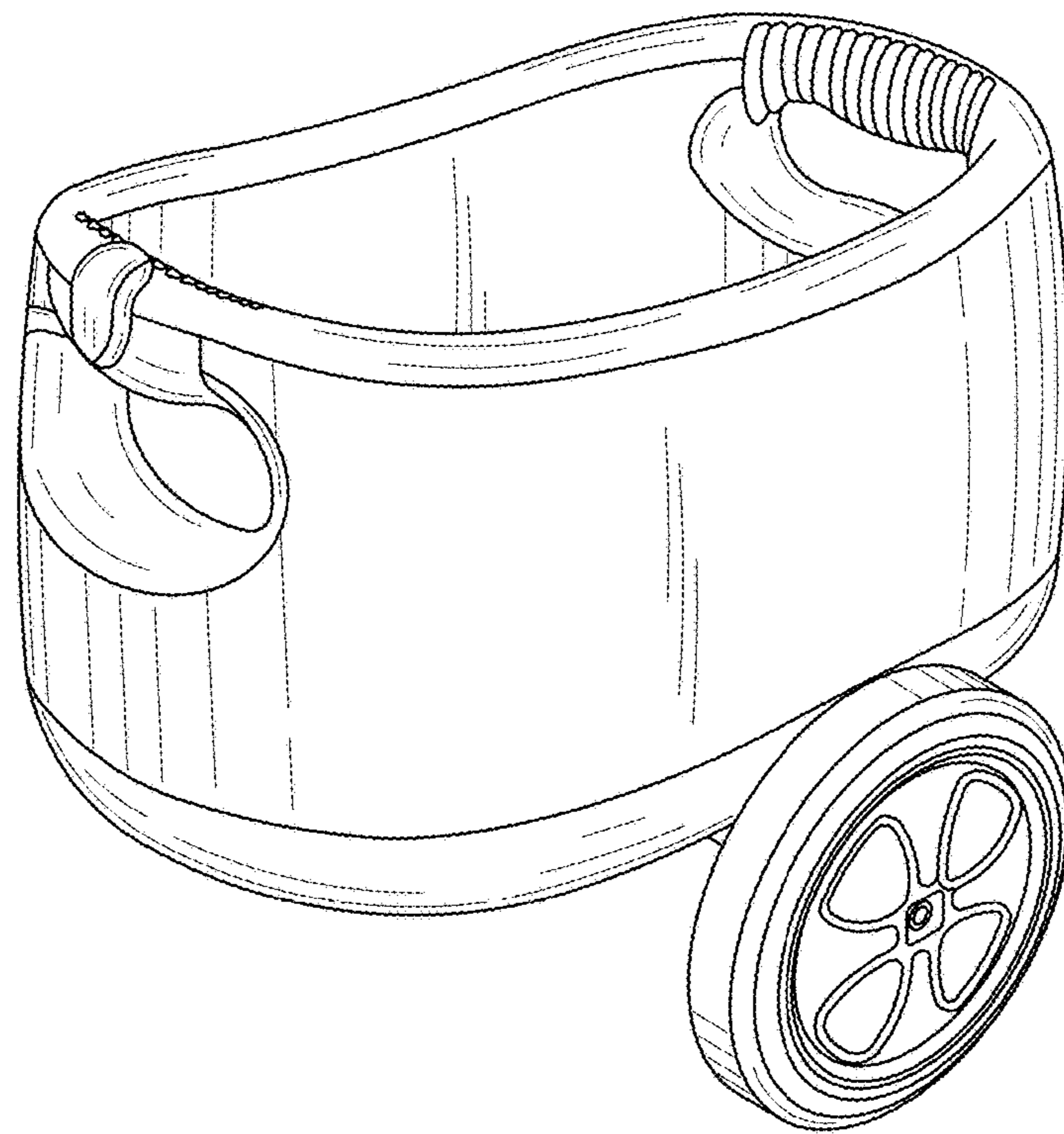


FIG. 1

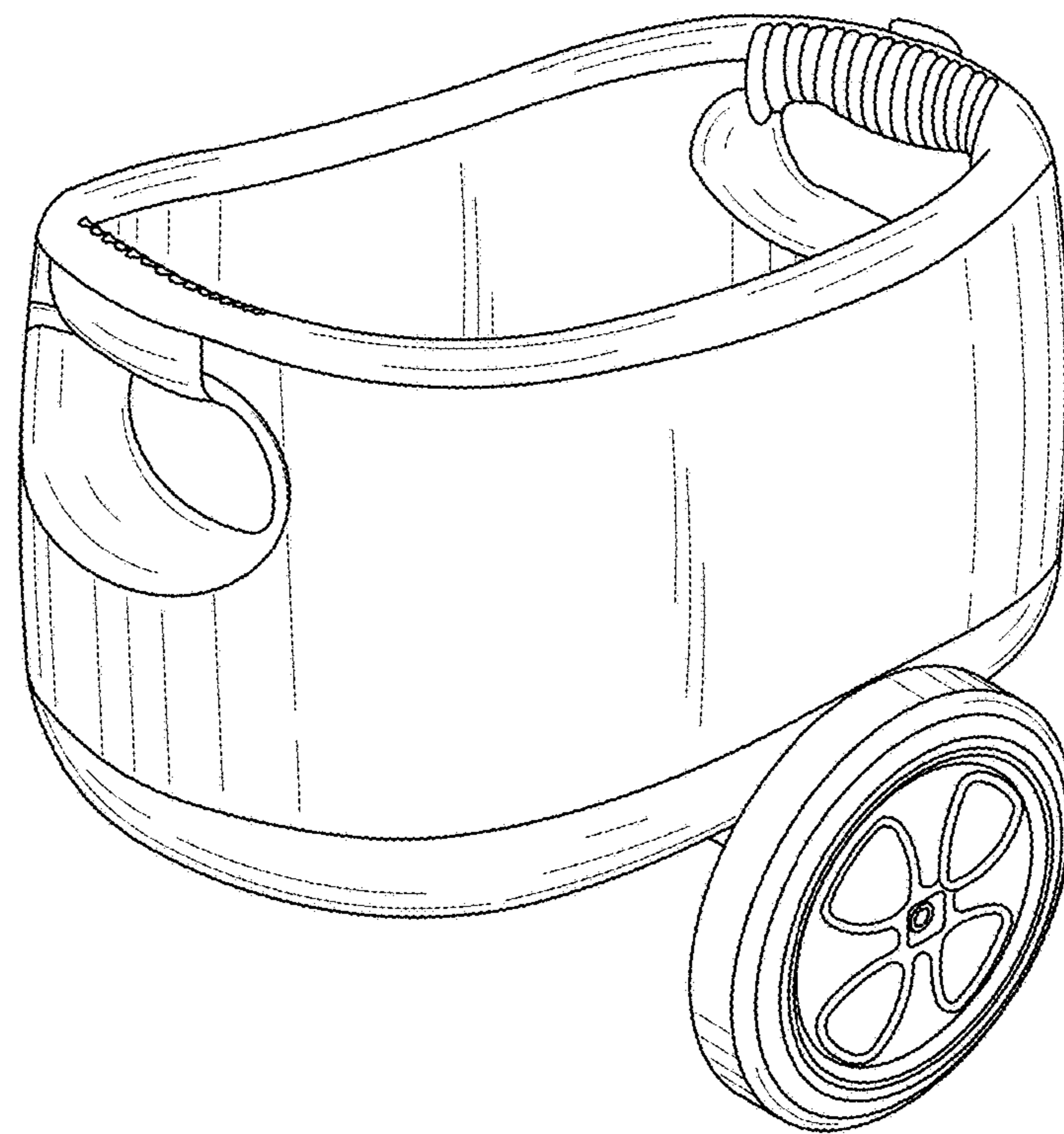


FIG. 2

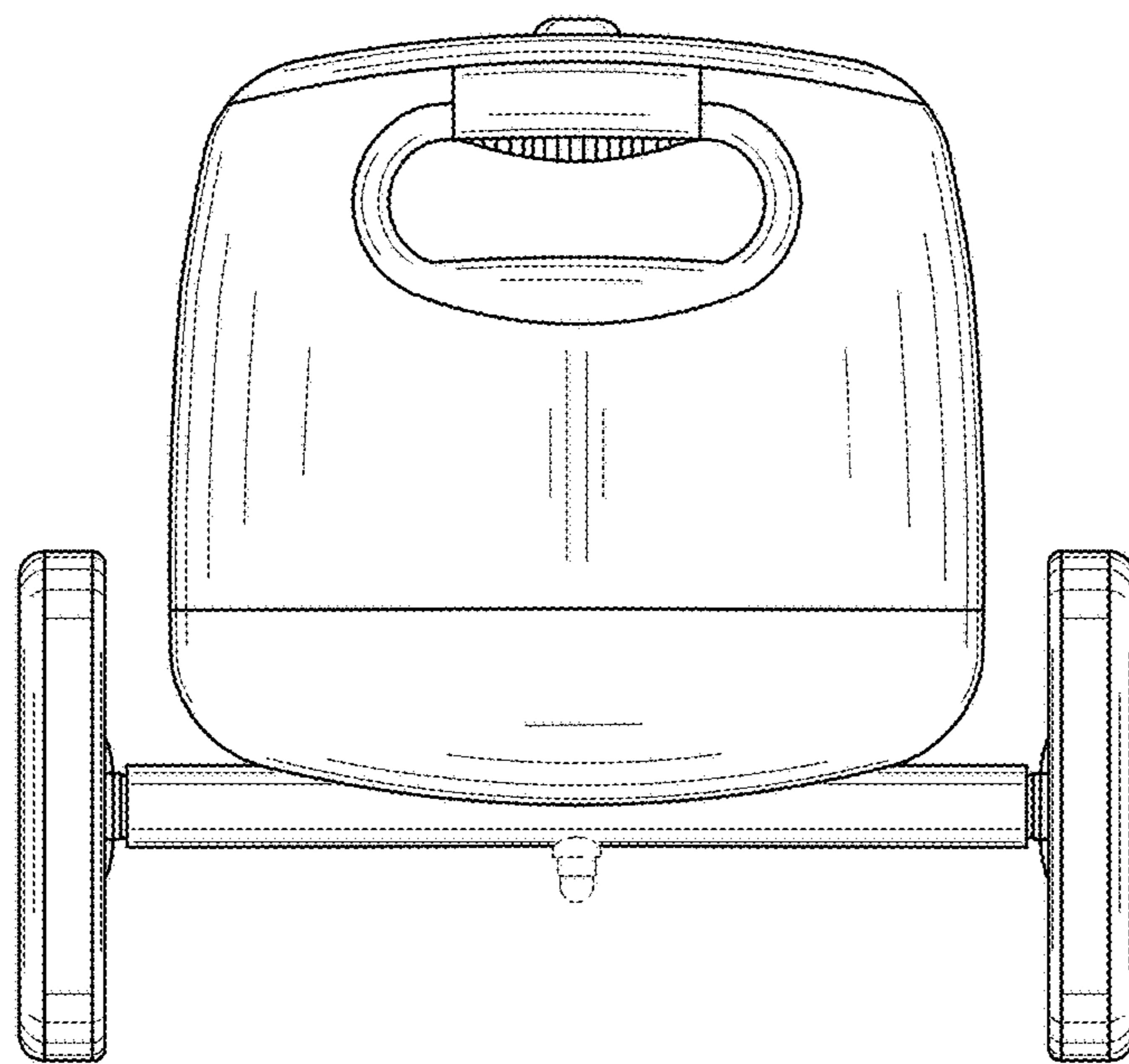


FIG. 3

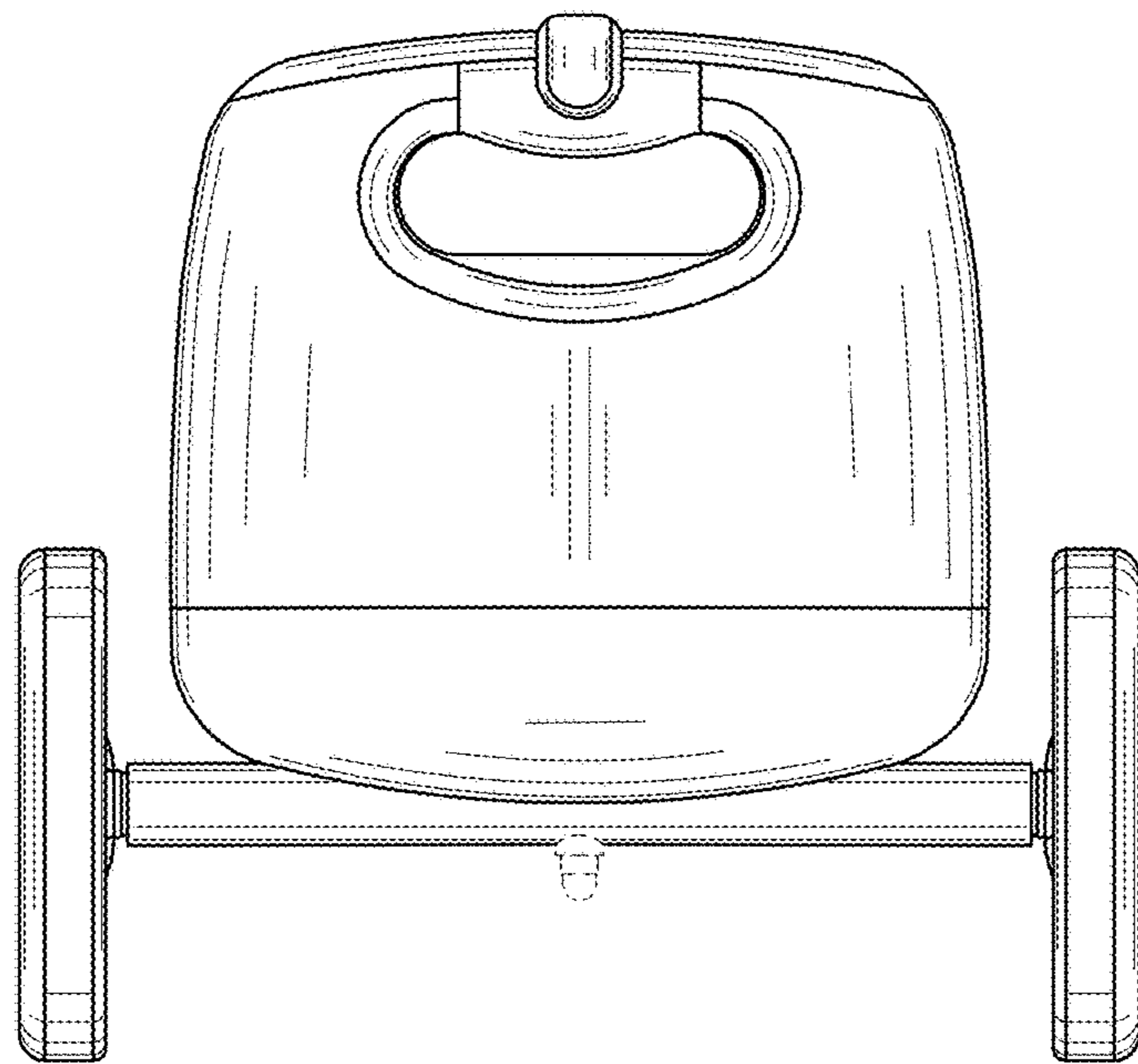


FIG. 4

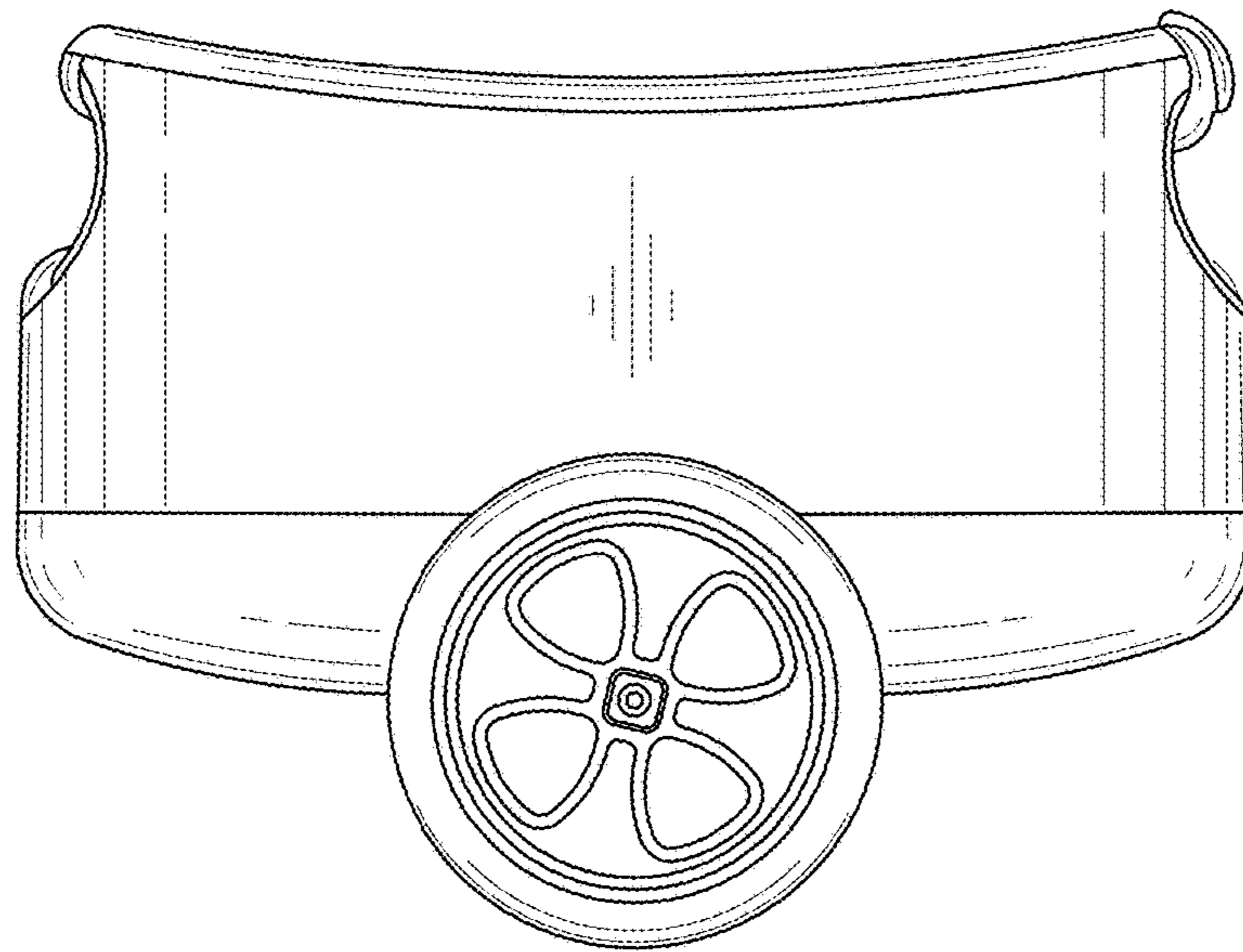


FIG. 5

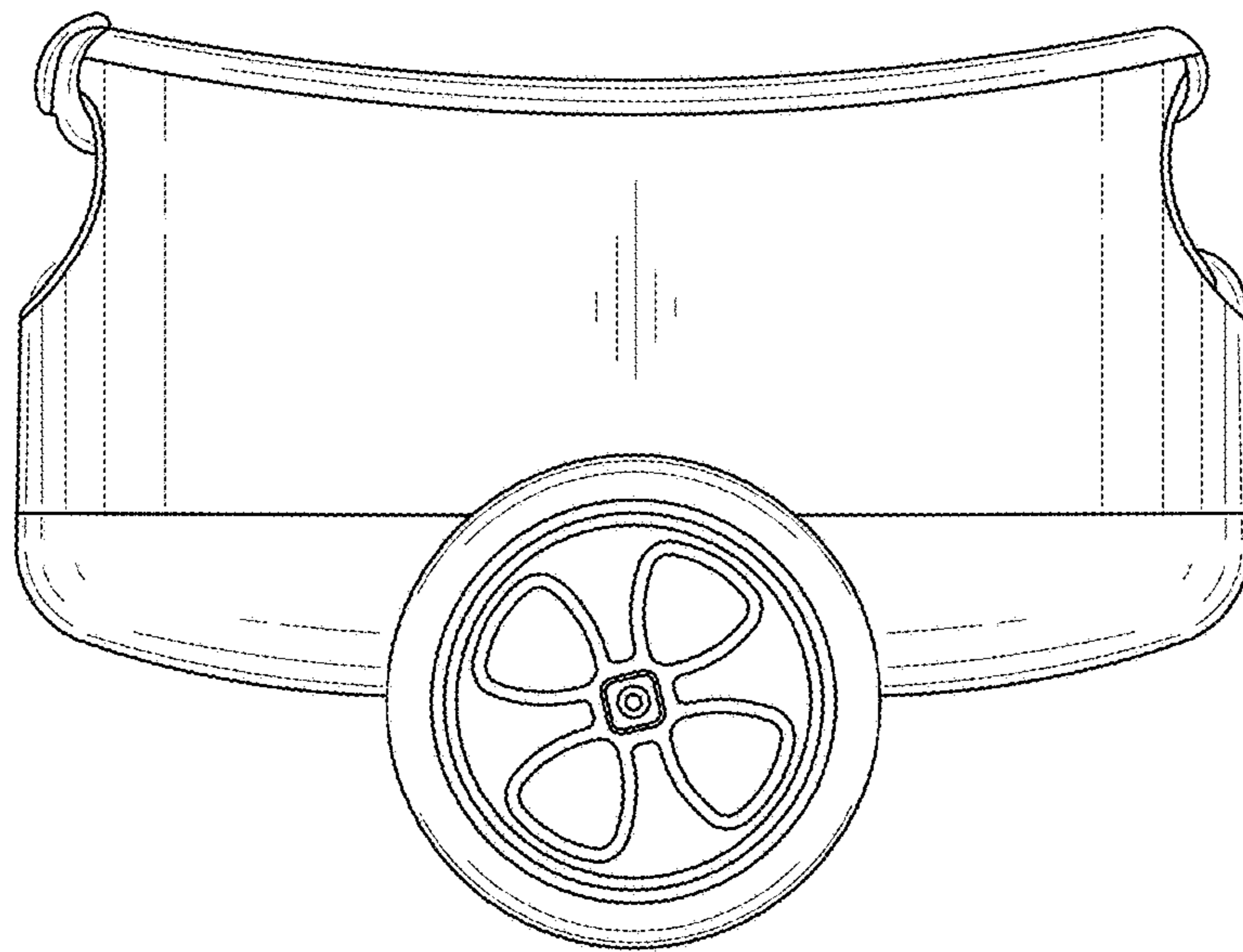


FIG. 6

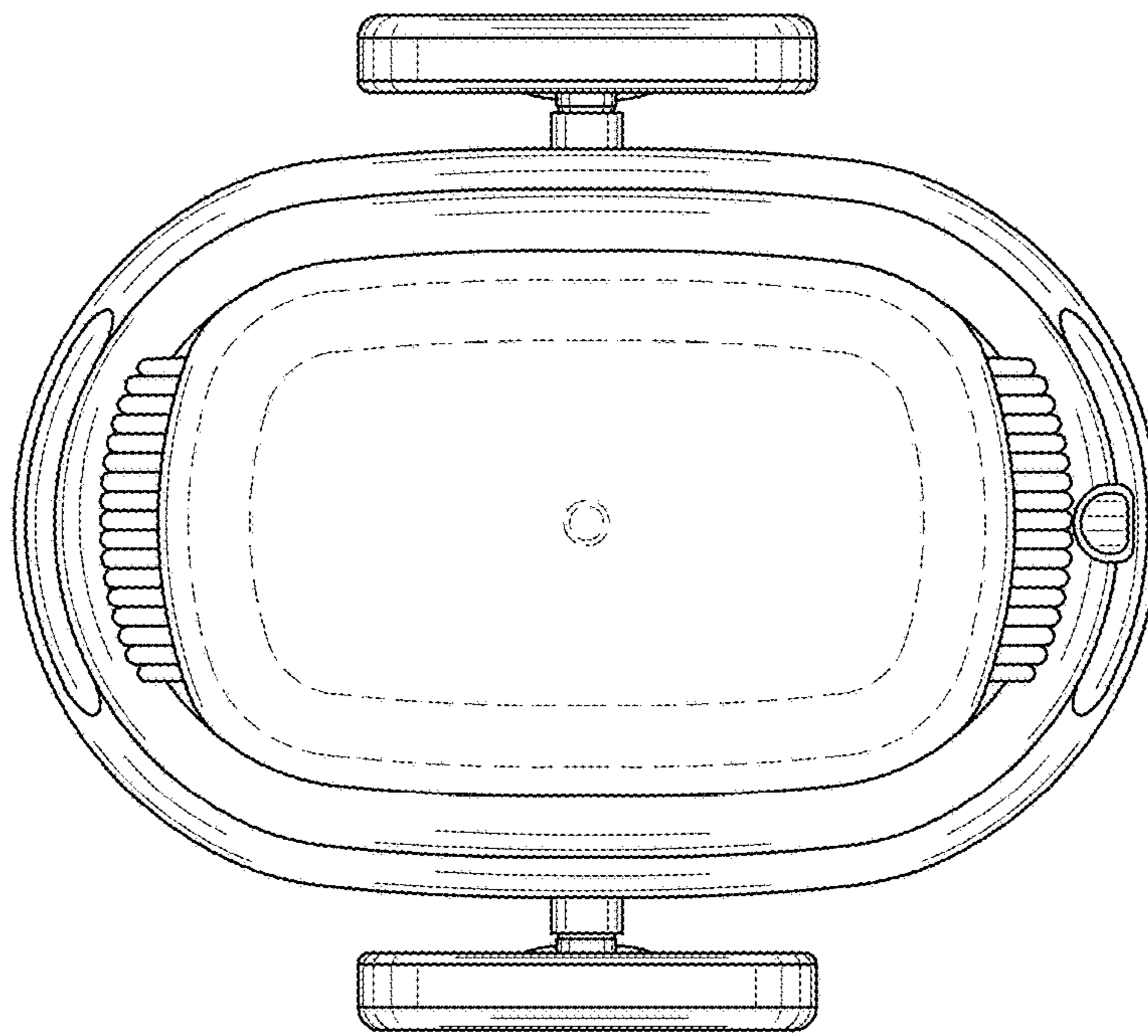


FIG. 7

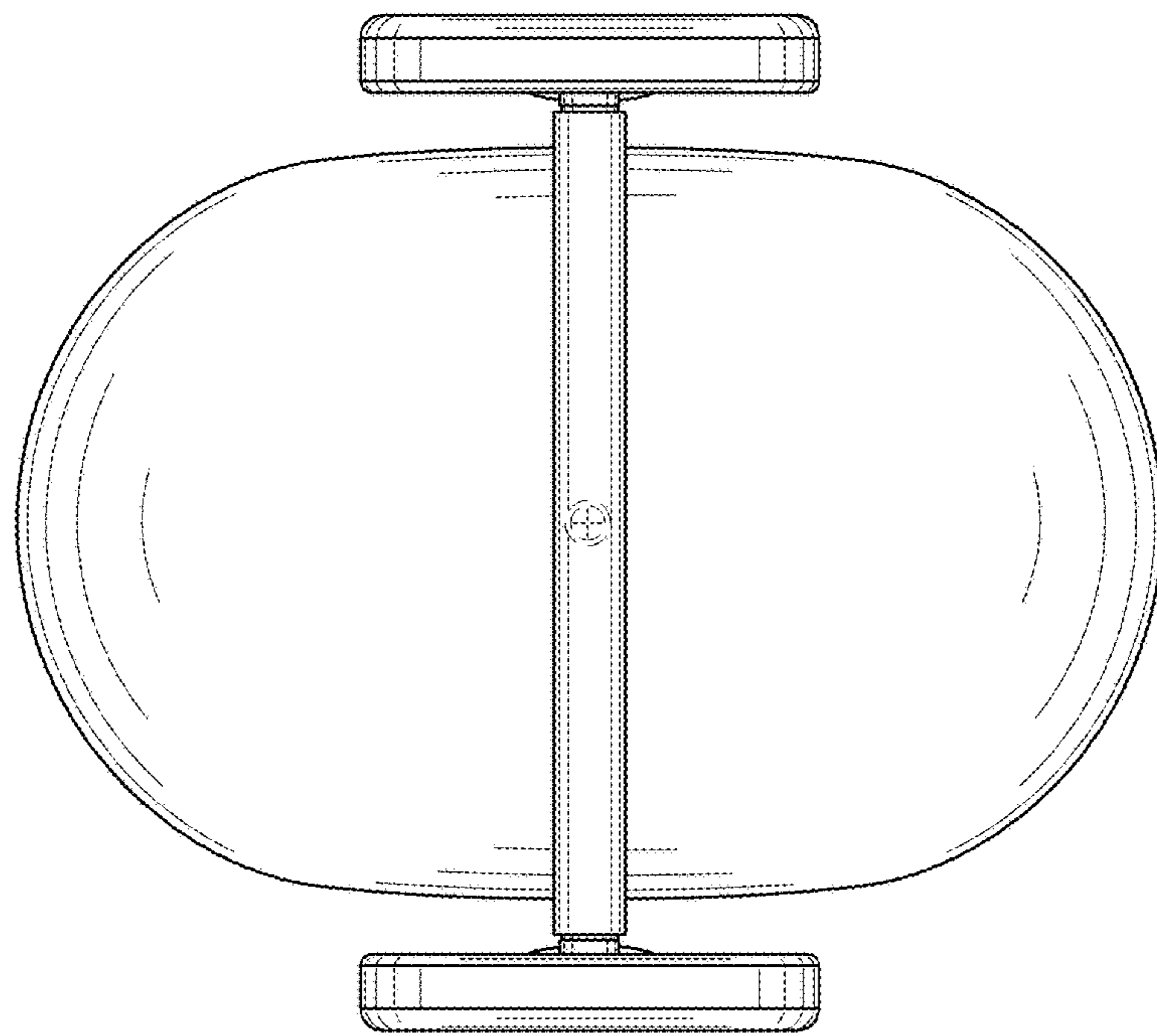


FIG. 8