



US00D843890S

(12) **United States Design Patent**
Yang et al.

(10) **Patent No.:** **US D843,890 S**

(45) **Date of Patent:** **** Mar. 26, 2019**

- (54) **UNMANNED AERIAL VEHICLE**
- (71) Applicant: **Hunan Keyshare Information Technology Co., LTD**, Hunan (CN)
- (72) Inventors: **Bing Yang**, Hunan (CN); **Chang Yu**, Hunan (CN); **Shengfeng Yan**, Hunan (CN); **Shu Tao**, Hunan (CN); **Shixiong Yu**, Hunan (CN)
- (73) Assignee: **Hunan Keyshare Information Technology Co., LTD**, Hunan (CN)
- (**) Term: **15 Years**

- 8,016,226 B1 * 9/2011 Wood B64C 29/0033
244/12.4
- D648,809 S * 11/2011 Seydoux D21/441
- 8,128,019 B2 * 3/2012 Annati B64C 27/20
244/12.3
- D659,771 S * 5/2012 Seydoux D21/441
- 8,251,307 B2 * 8/2012 Goossen B64C 39/024
244/23 C
- 8,328,130 B2 * 12/2012 Goossen B64C 27/20
244/17.11
- D684,642 S * 6/2013 Li D12/328
- 8,596,570 B1 * 12/2013 Carambat B64C 11/006
244/12.1
- D708,272 S * 7/2014 Schmelter D12/16.1
- 9,051,043 B1 * 6/2015 Peeters B64C 19/00
- D747,775 S * 1/2016 Colin D12/16.1

(Continued)

(21) Appl. No.: **29/625,348**

(22) Filed: **Nov. 9, 2017**

(30) **Foreign Application Priority Data**

Aug. 23, 2017 (CN) 2017 3 0395708

(51) **LOC (11) Cl.** **12-07**

(52) **U.S. Cl.**
USPC **D12/16.1**

(58) **Field of Classification Search**
USPC D12/16.1, 319-345; D21/436, 438, 441,
D21/442, 443, 444, 447, 448, 449, 450,
D21/451, 452, 454; D14/250
CPC ... B64C 29/00; B64C 2201/141; B64C 27/24;
B64C 27/30; B64C 39/04
See application file for complete search history.

(56) **References Cited**

U.S. PATENT DOCUMENTS

- 3,082,977 A * 3/1963 Arlin B64C 29/0025
244/12.2
- D454,109 S * 3/2002 Moshier D12/319
- D486,776 S * 2/2004 Carr D12/319
- D505,105 S * 5/2005 Rivellini et al. D12/320
- D526,951 S * 8/2006 Houck, II D12/319

OTHER PUBLICATIONS

Air Selfie. article by Evan Bleier. dated Nov. 21, 2016. found online [Oct. 12, 2018] <https://www.insidehook.com/nation/airselfie-flying-camera-drone>.*

Primary Examiner — Marissa J Cash
(74) *Attorney, Agent, or Firm* — JCIRPNET

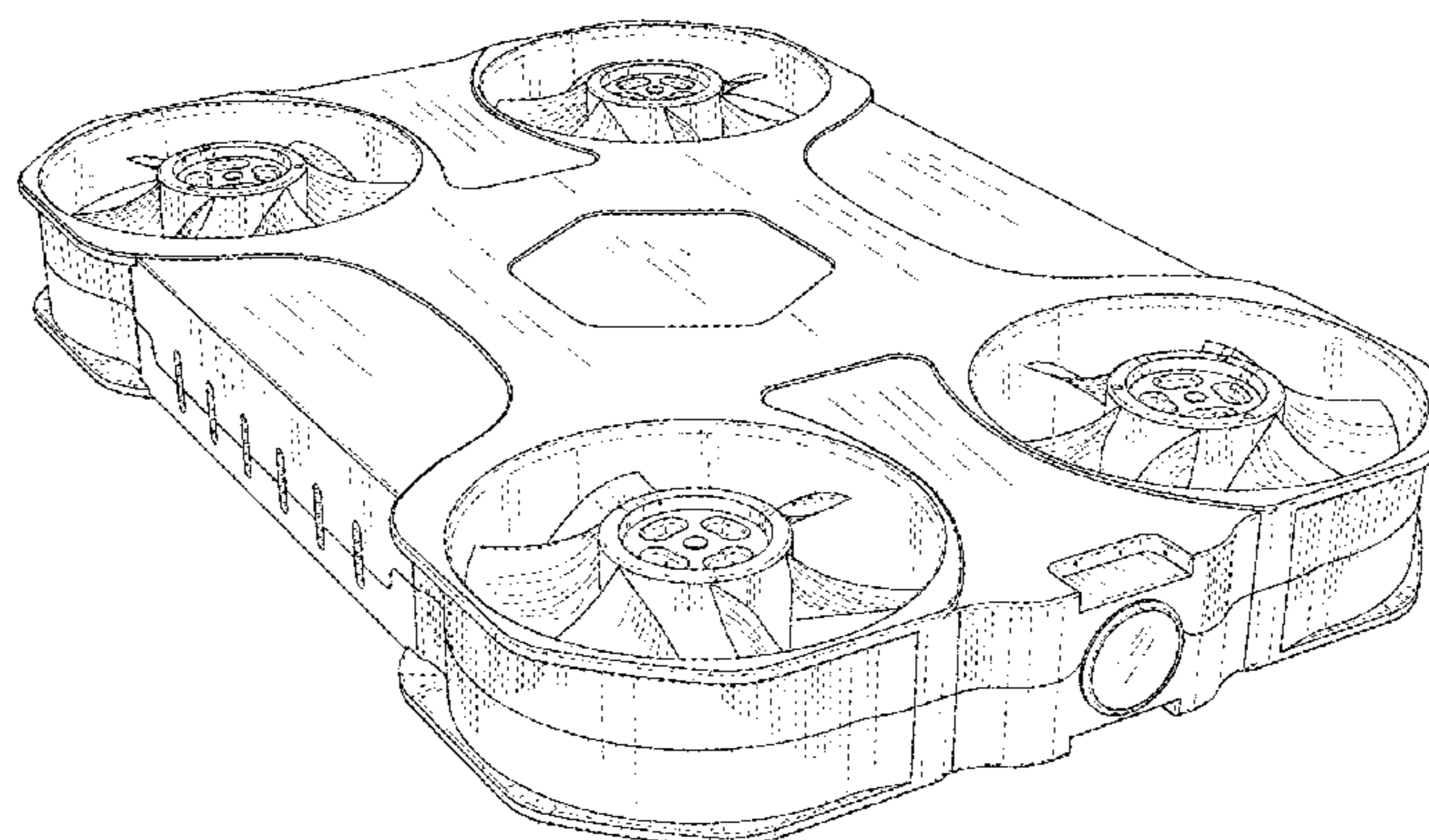
(57) **CLAIM**

The ornamental design for a unmanned aerial vehicle, as shown and described.

DESCRIPTION

FIG. 1 is a perspective view of an unmanned aerial vehicle showing our new design;
FIG. 2 is another perspective view thereof;
FIG. 3 is still another perspective view thereof;
FIG. 4 is a front view thereof;
FIG. 5 is a rear view thereof;
FIG. 6 is a left side view thereof;
FIG. 7 is a right side view thereof;
FIG. 8 is a top view thereof; and,
FIG. 9 is a bottom view thereof.

1 Claim, 7 Drawing Sheets



(56)

References Cited

U.S. PATENT DOCUMENTS

D751,025 S * 3/2016 Howell D12/16.1
D761,690 S * 7/2016 Friesmuth D12/16.1
D772,756 S * 11/2016 Gambus D12/16.1
D779,595 S * 2/2017 Xiao D12/16.1
D798,192 S * 9/2017 Zhang D12/16.1
D799,374 S * 10/2017 Zhou D12/16.1
D808,329 S * 1/2018 Parks D12/328
D809,969 S * 2/2018 Zhang D12/16.1
D811,264 S * 2/2018 Zhang D12/16.1
9,889,930 B2 * 2/2018 Welsh B64C 39/024
D816,581 S * 5/2018 Zhao D12/328
D818,873 S * 5/2018 Tian D12/16.1
D821,263 S * 6/2018 Goldy D12/16.1
2016/0286128 A1 * 9/2016 Zhou H04N 5/23248
2016/0340021 A1 * 11/2016 Zhang B64C 27/08
2017/0073070 A1 * 3/2017 Xing B64C 39/024
2017/0291700 A1 * 10/2017 Mohyi B64C 27/20
2017/0341776 A1 * 11/2017 McClure B64D 47/08
2018/0029704 A1 * 2/2018 Milani B64C 29/0033
2018/0037317 A1 * 2/2018 Ichihara B64C 27/08
2018/0164819 A1 * 6/2018 Zhang B64C 39/02
2018/0208070 A1 * 7/2018 Sanchez B60L 11/1824
2018/0217614 A1 * 8/2018 Salas-Moreno B64C 39/024

* cited by examiner

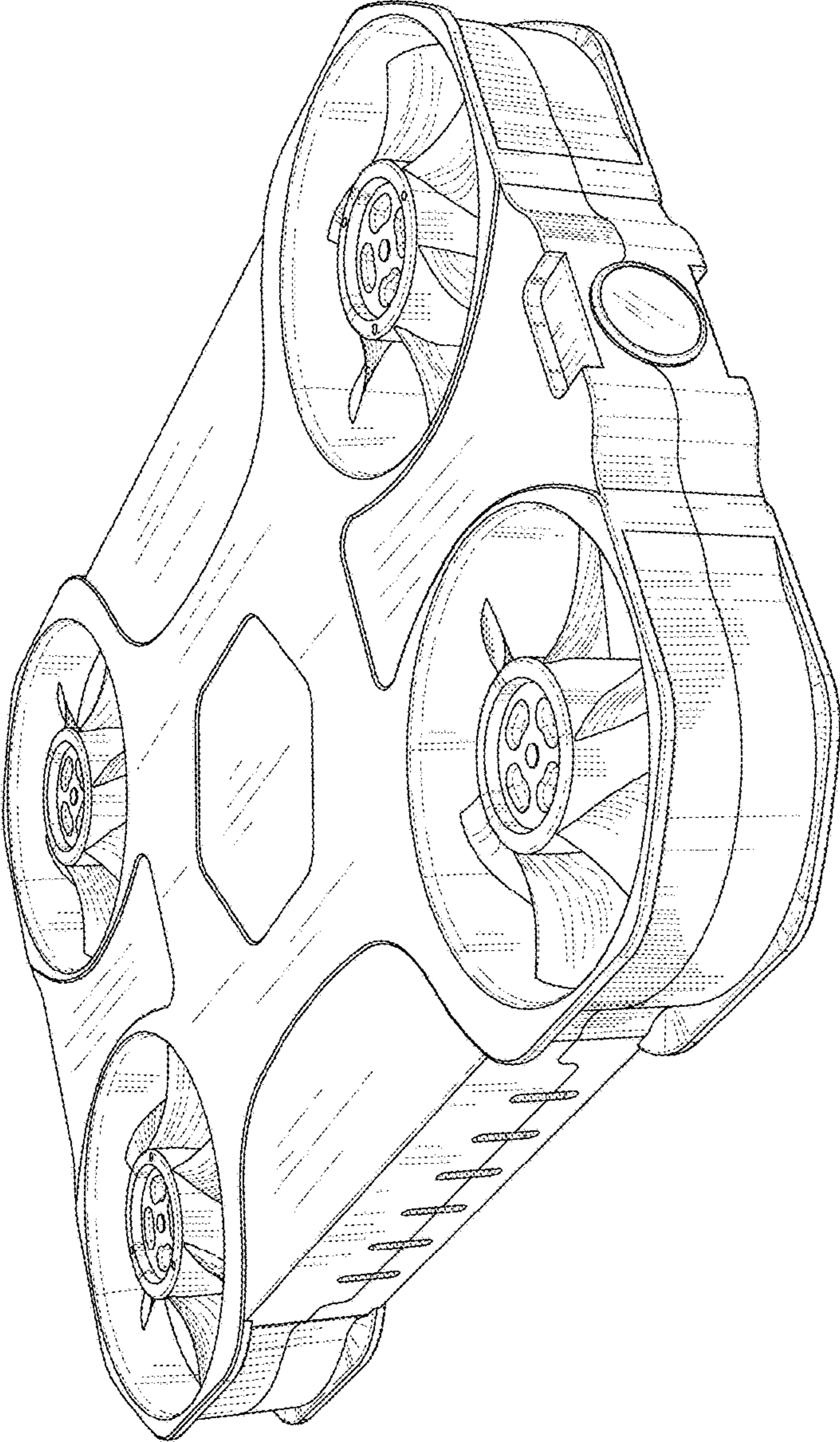


FIG. 1

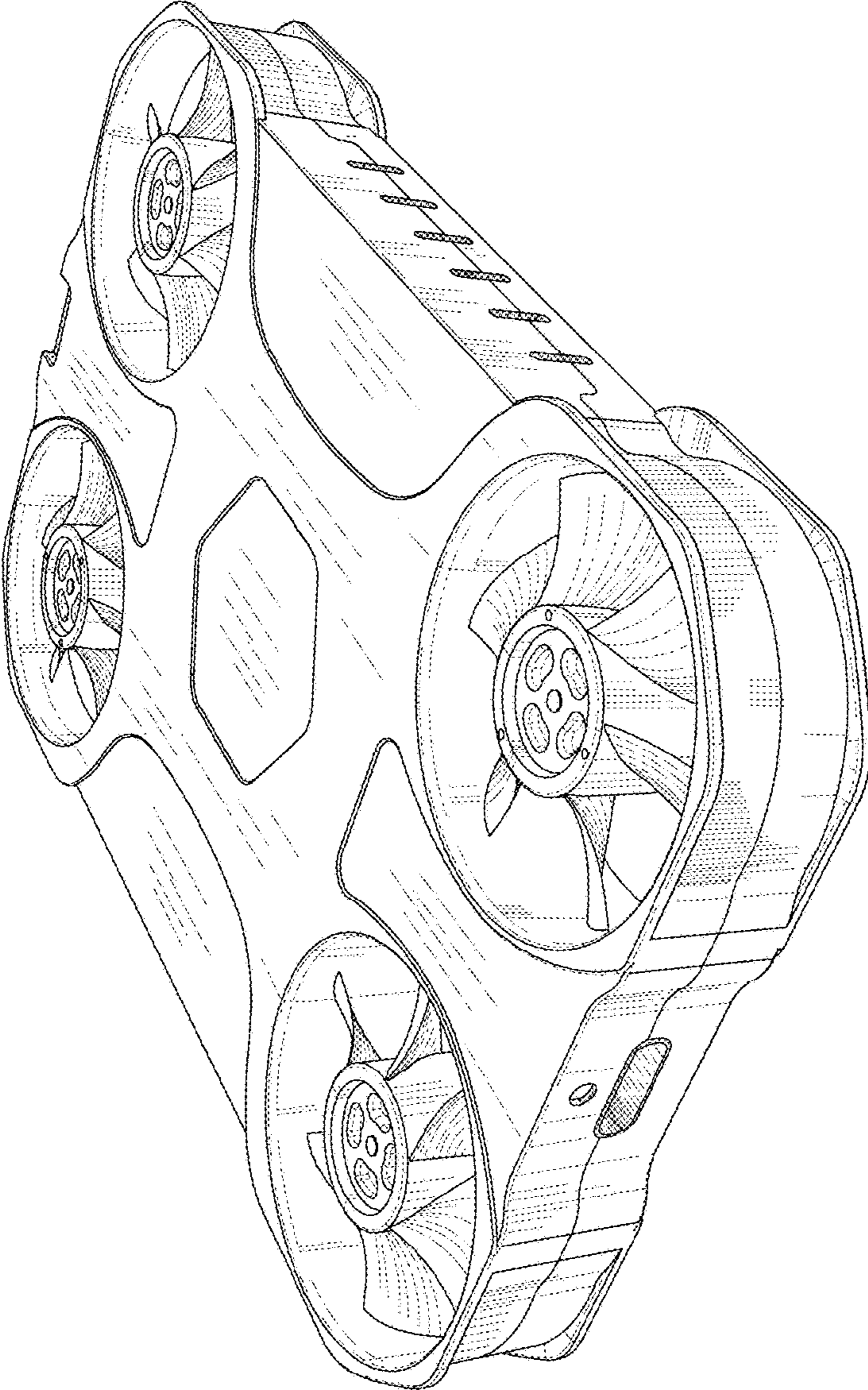


FIG. 2

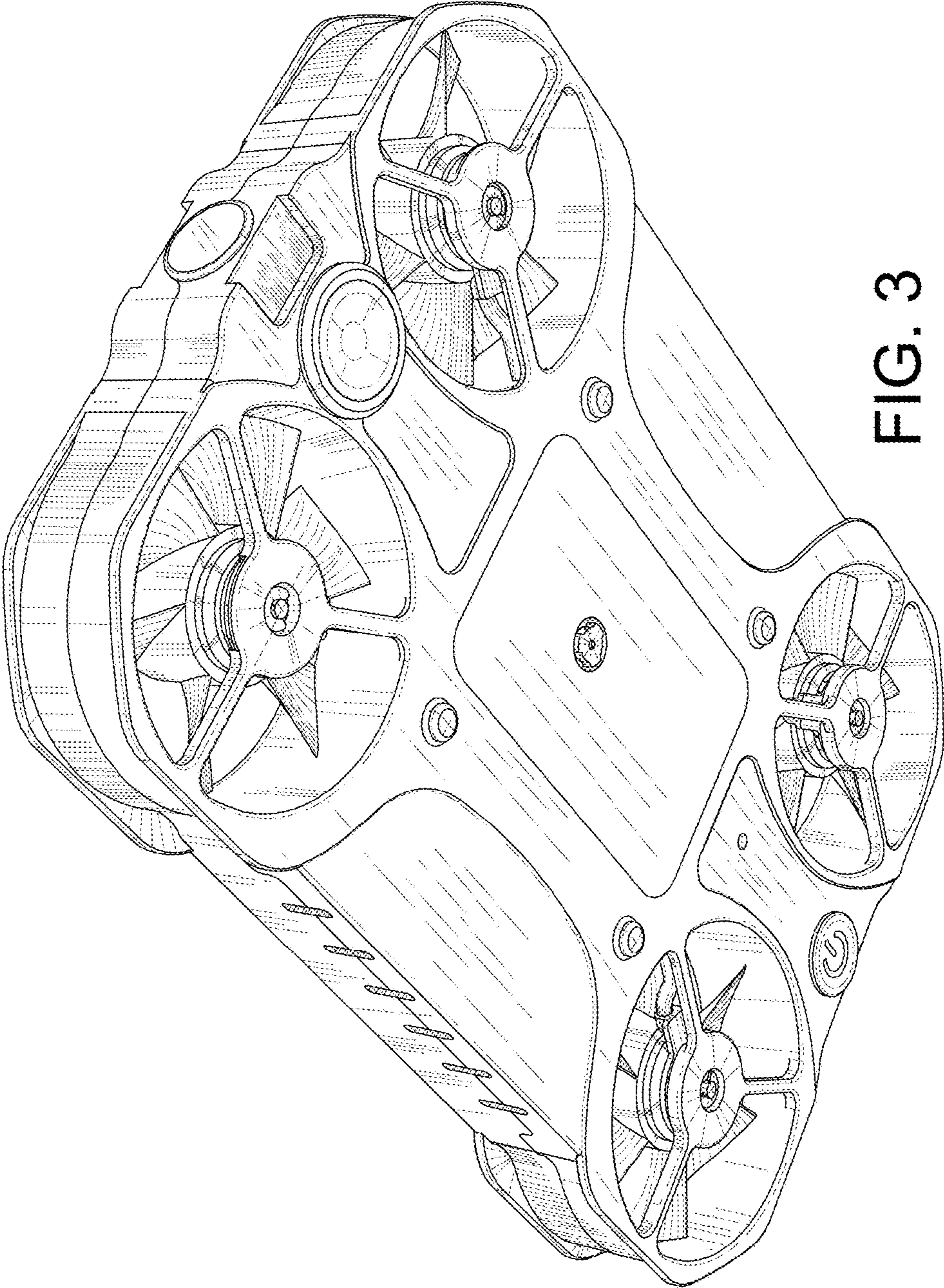


FIG. 3

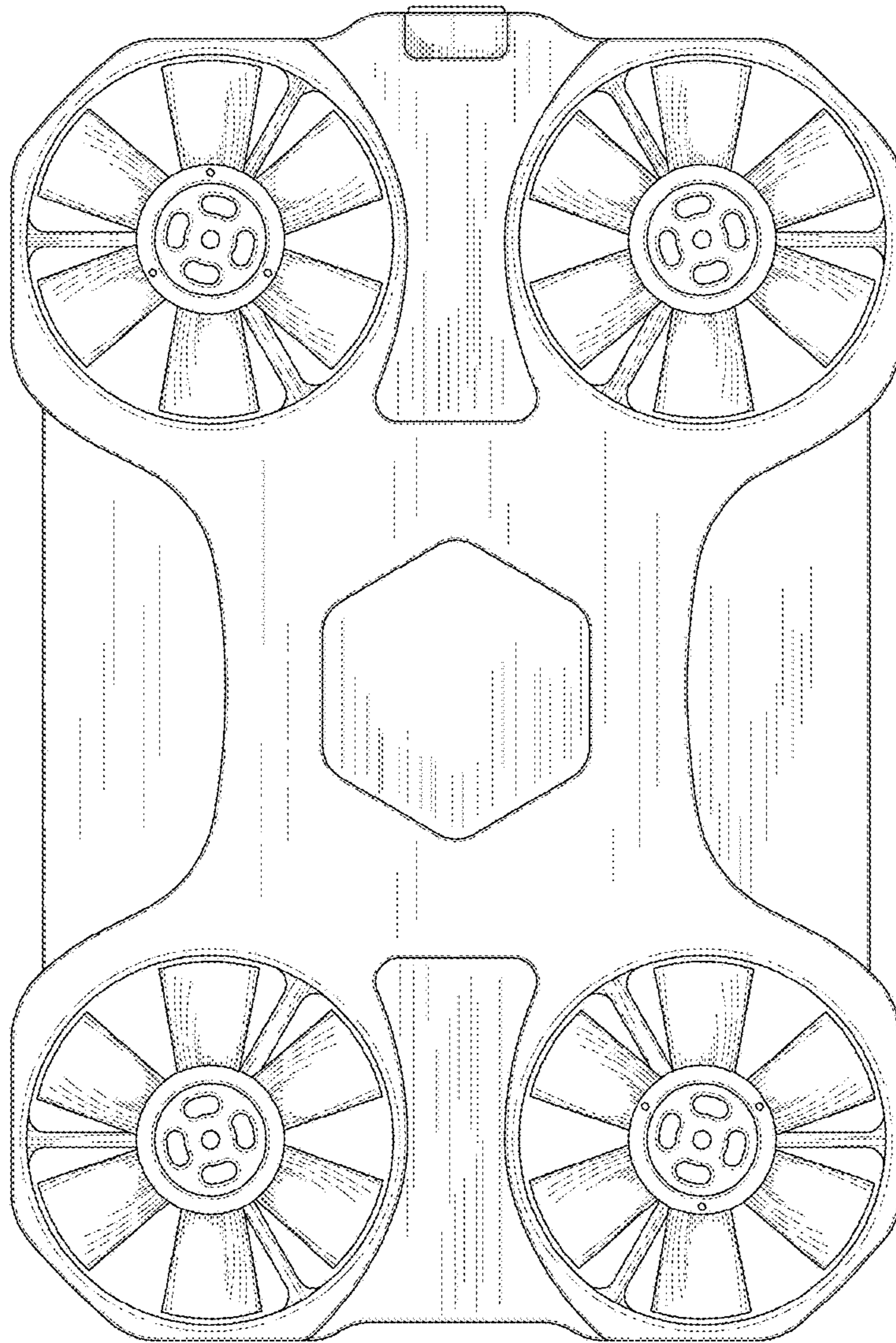


FIG. 4

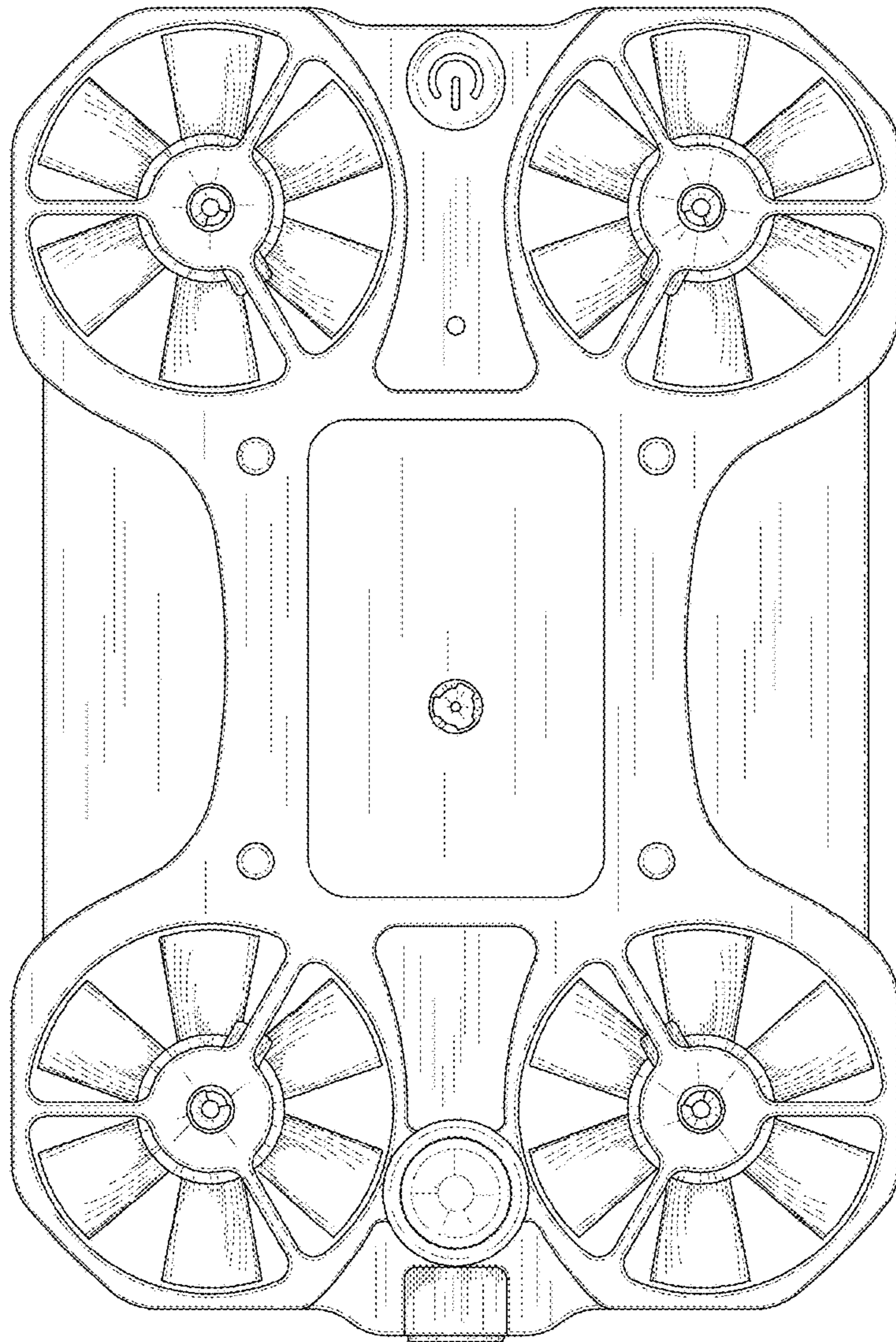


FIG. 5

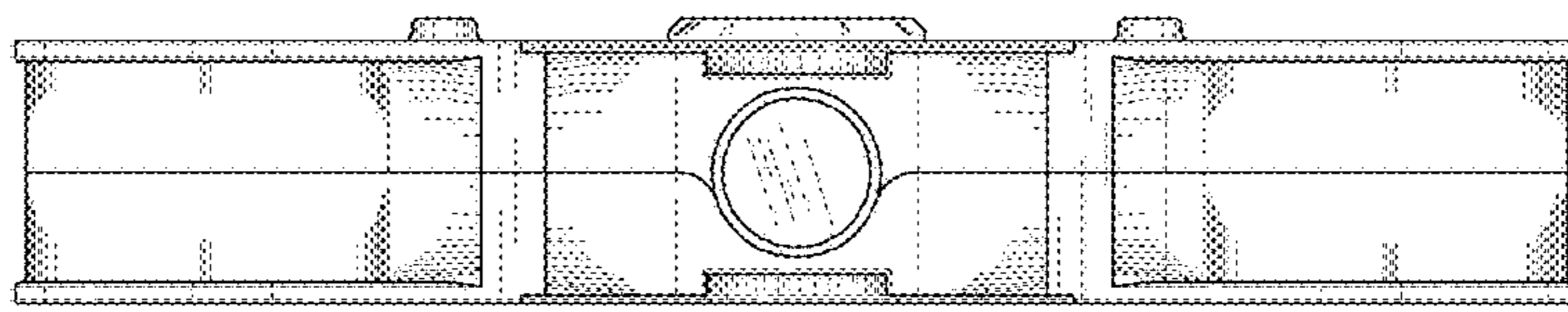


FIG. 7

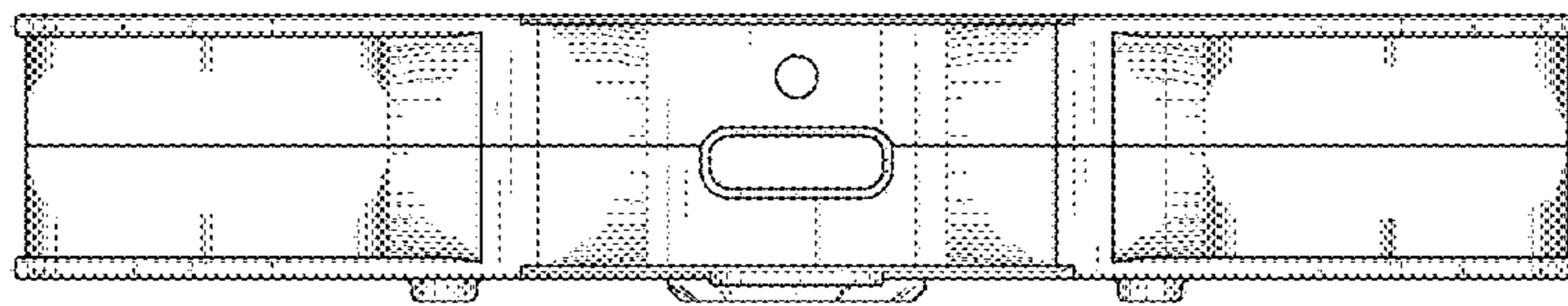


FIG. 6

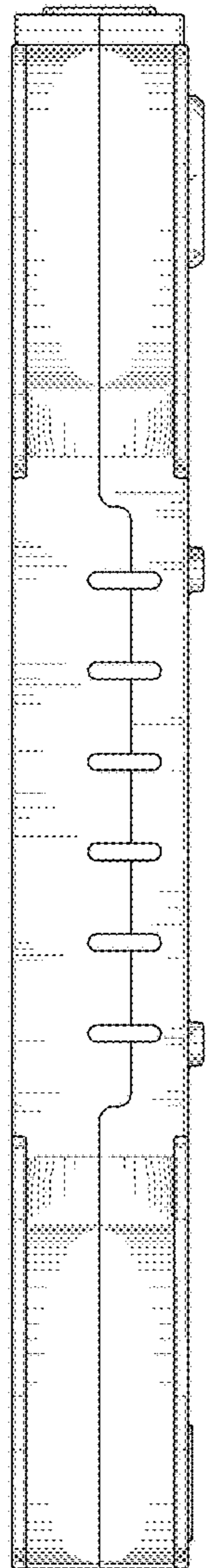


FIG. 8

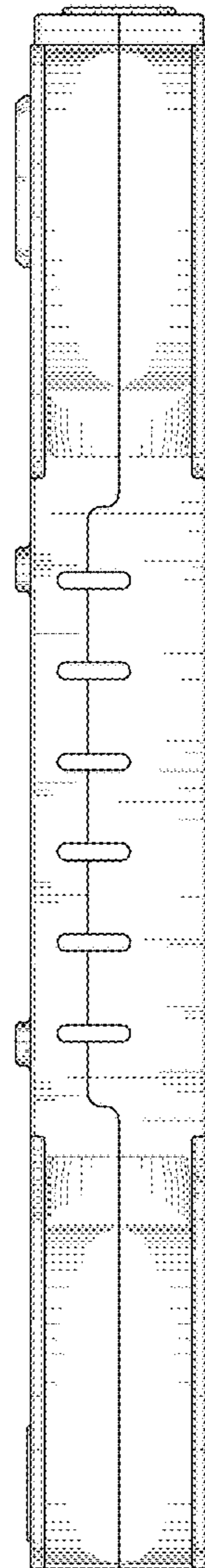


FIG. 9