



US00D843888S

(12) **United States Design Patent** (10) **Patent No.:** **US D843,888 S**
Wang (45) **Date of Patent:** **** Mar. 26, 2019**

(54) **DRONE**
(71) Applicant: **Superior Communications, Inc.**,
Irwindale, CA (US)
(72) Inventor: **Szuchi Wang**, New Taipei (TW)
(73) Assignee: **SUPERIOR COMMUNICATIONS,**
INC., Irwindale, CA (US)
(**) Term: **15 Years**
(21) Appl. No.: **29/613,085**
(22) Filed: **Aug. 7, 2017**
(51) **LOC (11) Cl.** **12-07**
(52) **U.S. Cl.**
USPC **D12/16.1**
(58) **Field of Classification Search**
USPC D12/16.1, 319-345; D21/436, 441, 442,
D21/443, 444, 447-454; D3/273;
D9/432; D14/432, 435, 420, 348, 358
CPC B64C 2201/141; B64C 39/024; B64C
2201/127
See application file for complete search history.

(56) **References Cited**
U.S. PATENT DOCUMENTS
D285,414 S * 9/1986 Goetz D28/83
4,863,034 A * 9/1989 Contreras, Sr. A45D 40/22
132/294
D345,304 S * 3/1994 Leader D9/418
D350,850 S * 9/1994 Angelini D3/273
D450,694 S * 11/2001 Ogden D14/348
D458,127 S * 6/2002 de Groote D3/294
D459,886 S * 7/2002 Jones D3/294
D464,884 S * 10/2002 Sumpmann D9/432
D479,016 S * 8/2003 Sgariboldi D28/78
D527,182 S * 8/2006 Ham D3/274
D531,025 S * 10/2006 Tanner D9/426

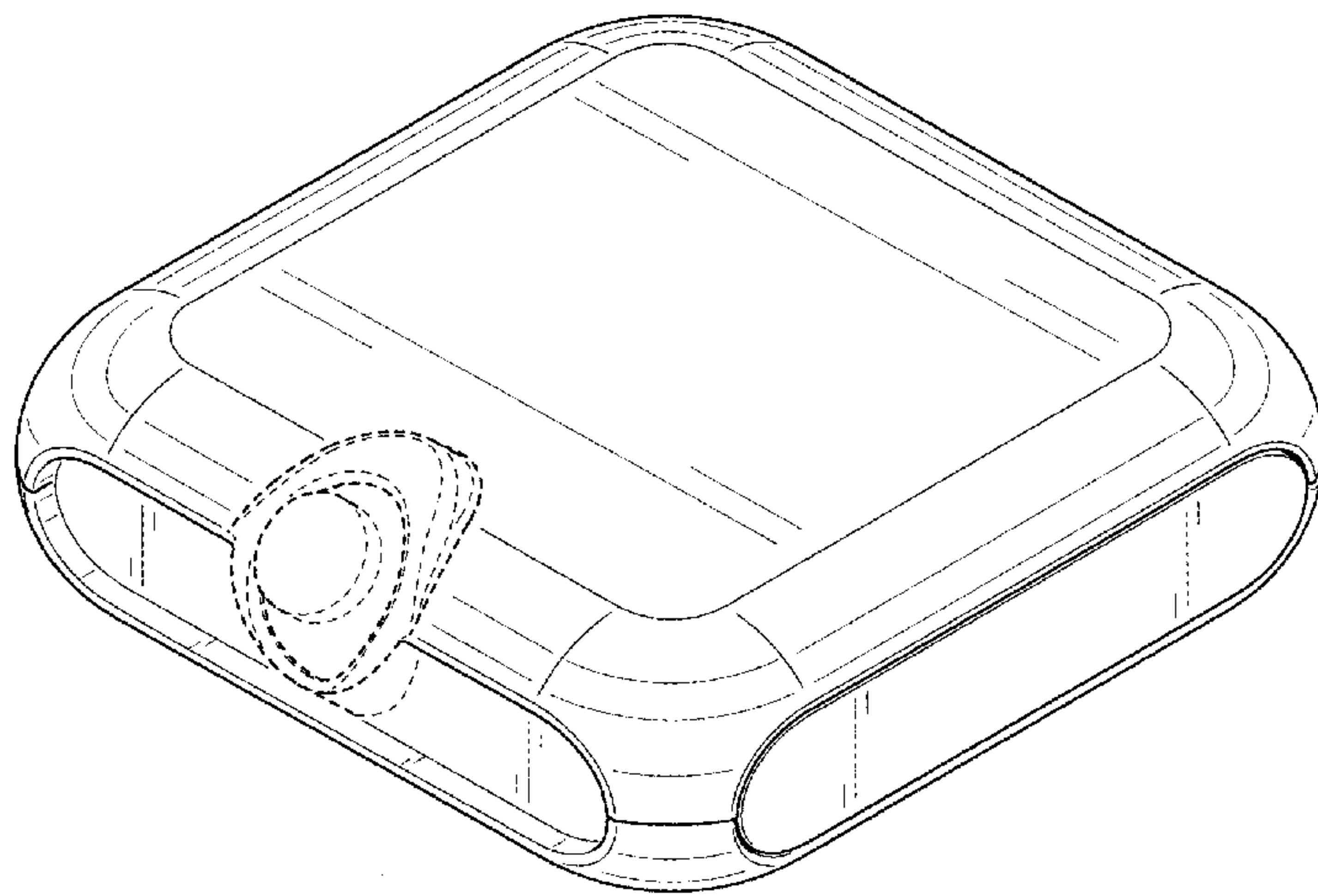
D540,035 S * 4/2007 Gerard D3/263
D547,175 S * 7/2007 Berg D9/420
D556,571 S * 12/2007 Jalet D9/432
D565,298 S * 4/2008 Braun D3/273
D592,399 S * 5/2009 Sage D3/295
D618,240 S * 6/2010 Larmour D14/230
D625,721 S * 10/2010 Ferber D14/358
D663,524 S * 7/2012 Penttinen D3/273
D672,554 S * 12/2012 Penttinen D3/273
D673,564 S * 1/2013 Milliff D14/358
D686,065 S * 7/2013 Kuo D9/432
D704,442 S * 5/2014 Chen D3/294
D707,446 S * 6/2014 Svahn D3/273
D717,166 S * 11/2014 Lee D9/424
D756,560 S * 5/2016 Ghiotti D27/186
D764,910 S * 8/2016 Akana D9/432
D769,234 S * 10/2016 Rami D14/253
D769,366 S * 10/2016 Hiraguchi D18/12.1
D774,902 S * 12/2016 Hendricks D9/424
D777,724 S * 1/2017 Sterzick D14/348
D778,156 S * 2/2017 Follett D9/432
(Continued)

Primary Examiner — Marissa J Cash
(74) Attorney, Agent, or Firm — Snell & Wilmer LLP

(57) **CLAIM**
The ornamental design for a drone, as shown and described.

DESCRIPTION
FIG. 1 is a front perspective view of a drone showing our new design;
FIG. 2 is a front view thereof;
FIG. 3 is a rear view thereof;
FIG. 4 is a left side view thereof;
FIG. 5 is a right side view thereof;
FIG. 6 is a top view thereof; and,
FIG. 7 is a bottom view thereof.
The broken lines shown in FIGS. 1 through 7 illustrate portions of the drone which form no part of the claimed design.

1 Claim, 7 Drawing Sheets



(56)

References Cited

U.S. PATENT DOCUMENTS

D781,772 S *	3/2017	Sanz	D12/345
D784,904 S *	4/2017	Schutterra	D12/345
D795,161 S *	8/2017	Schutterra	D12/345
D795,874 S *	8/2017	Szeremeta	D14/432
D797,751 S *	9/2017	Houston	D14/420
D803,681 S *	11/2017	Yang	D9/432
D815,070 S *	4/2018	Elmieh	D14/225
D818,872 S *	5/2018	Ho	D12/16.1
D819,023 S *	5/2018	Shim	D14/363
9,994,380 B1 *	6/2018	Szeremeta	B65D 81/113
D829,198 S *	9/2018	Cho	D14/240
D829,213 S *	9/2018	Szeremeta	D14/432
D829,719 S *	10/2018	Shim	D14/435

* cited by examiner

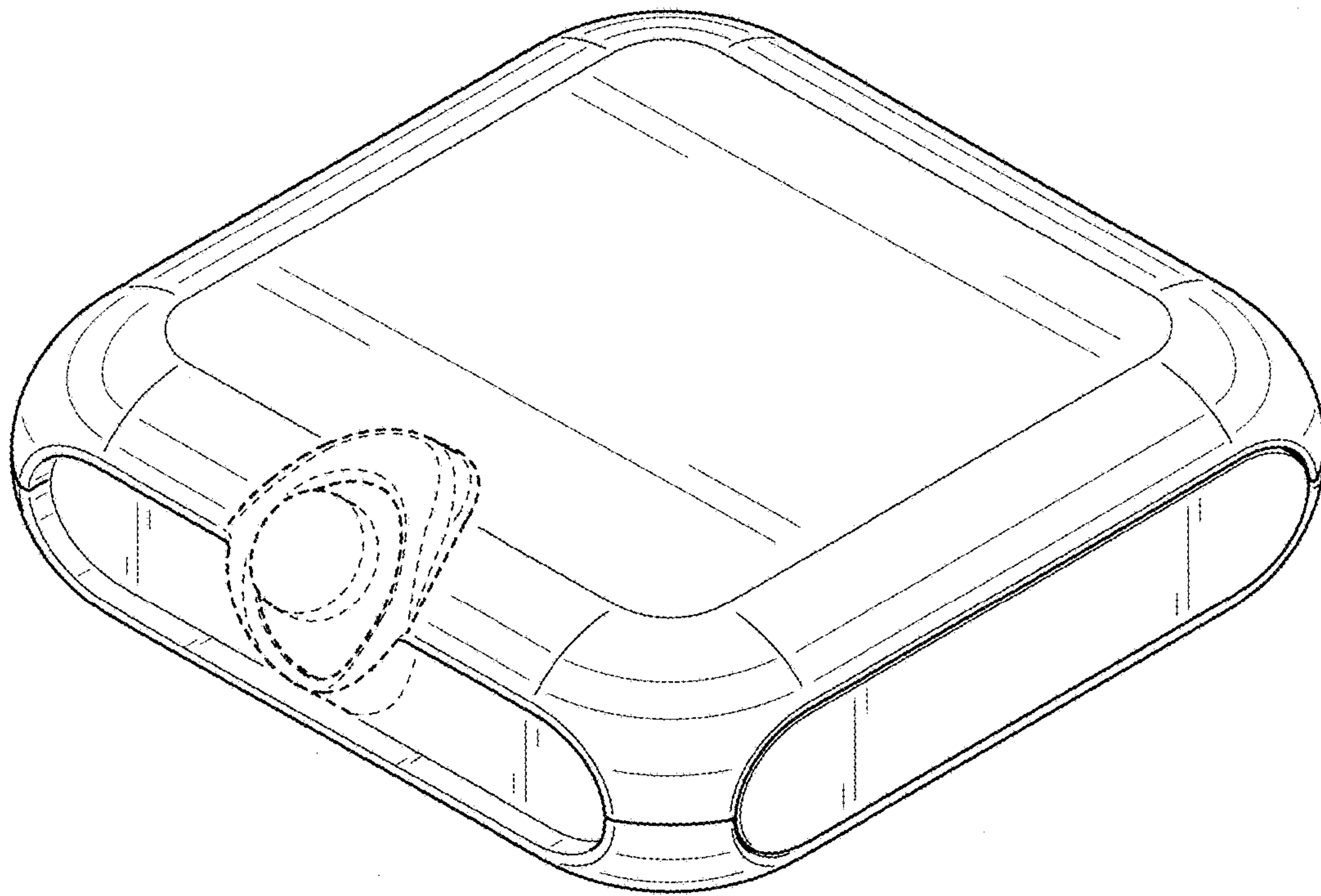


FIG. 1

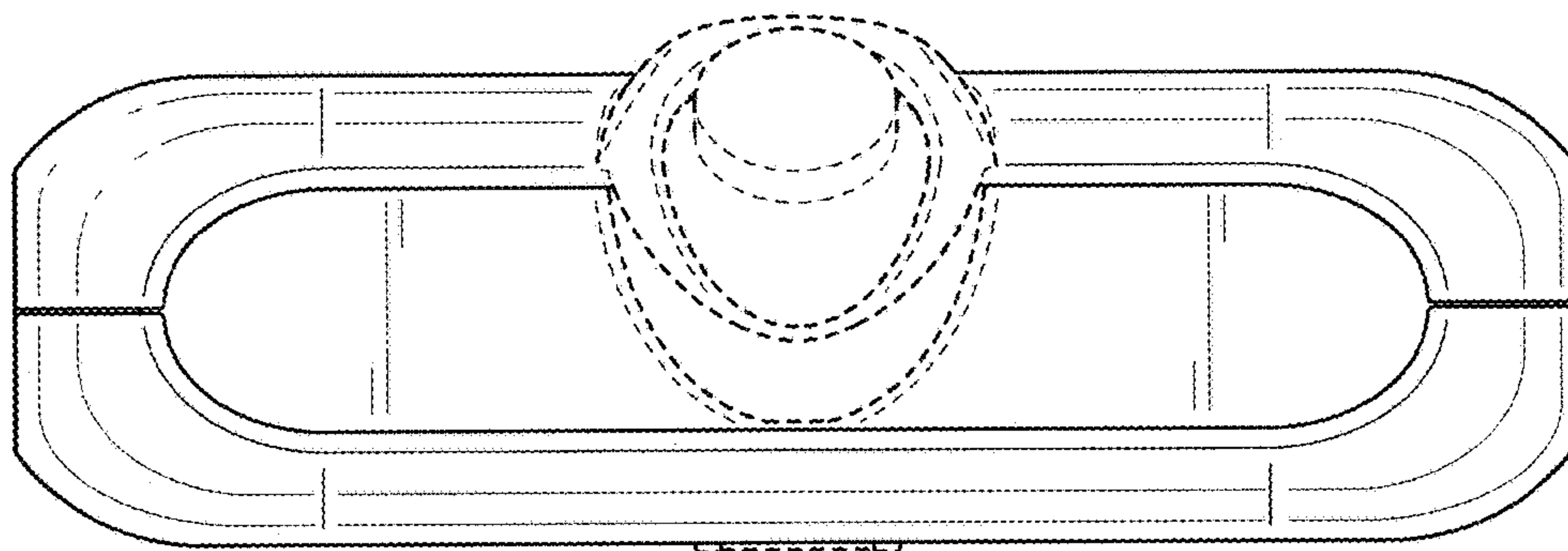


FIG. 2

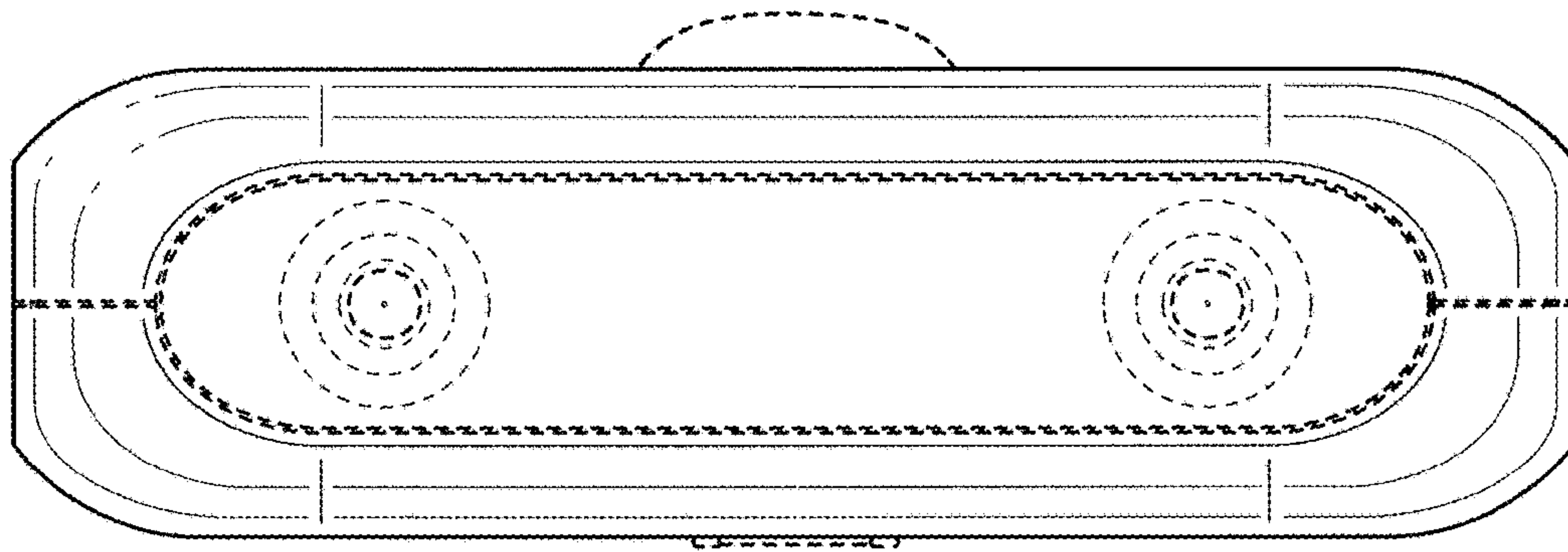


FIG. 3

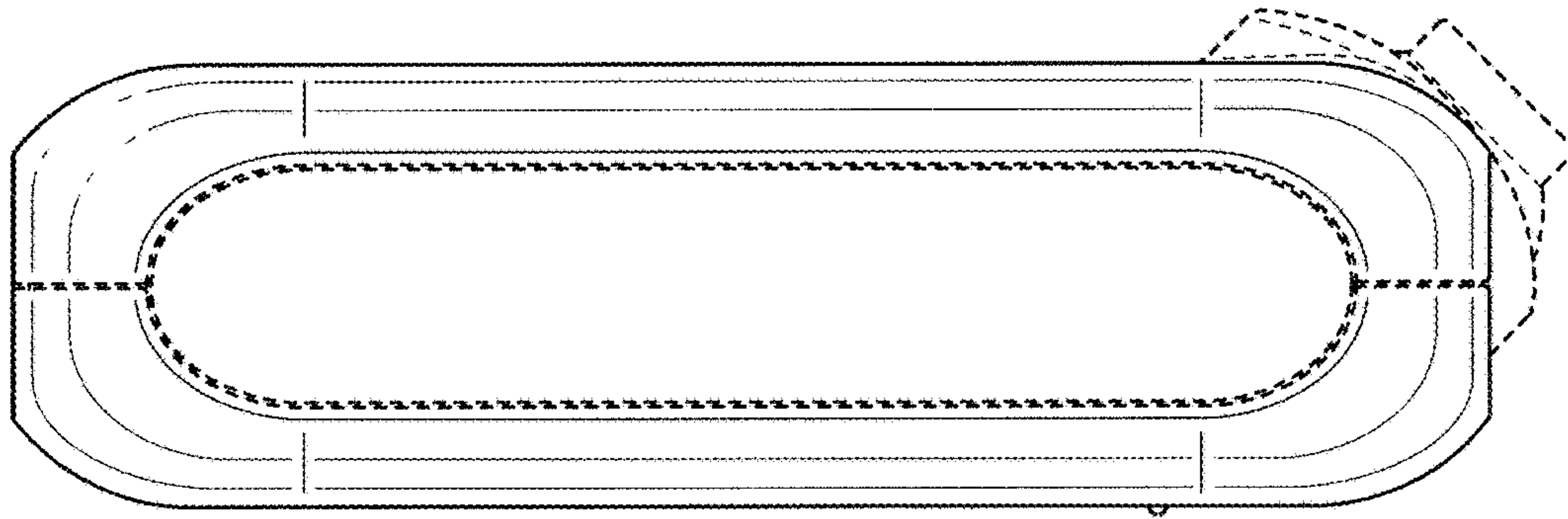


FIG. 4

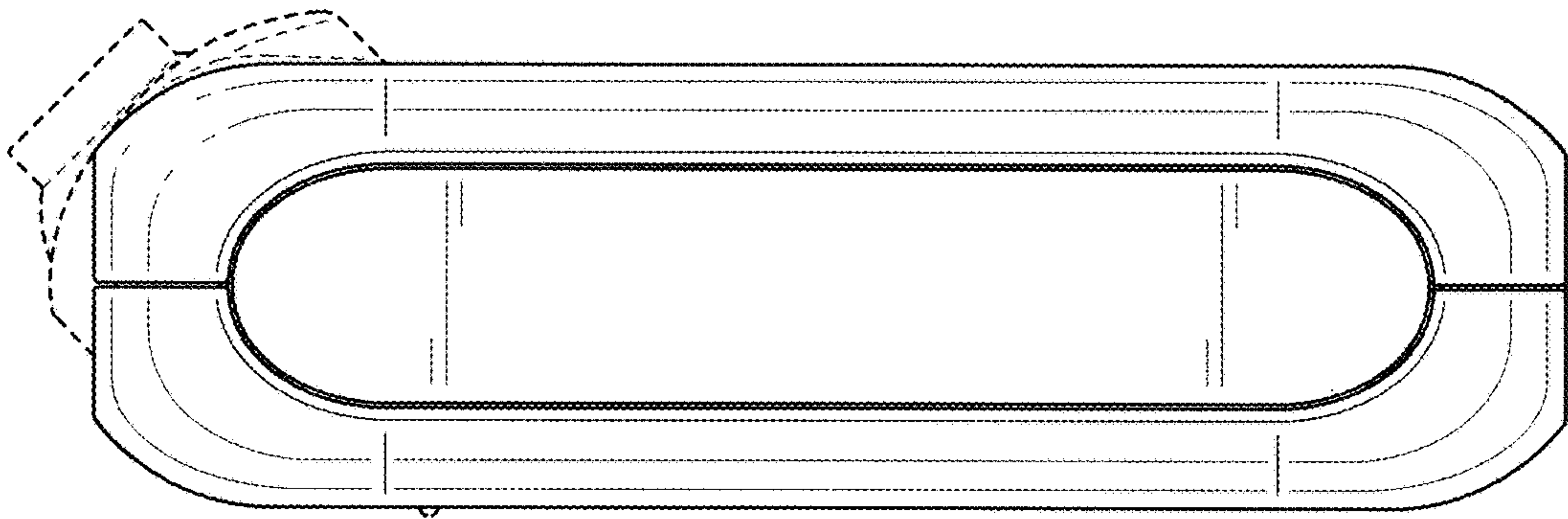


FIG. 5

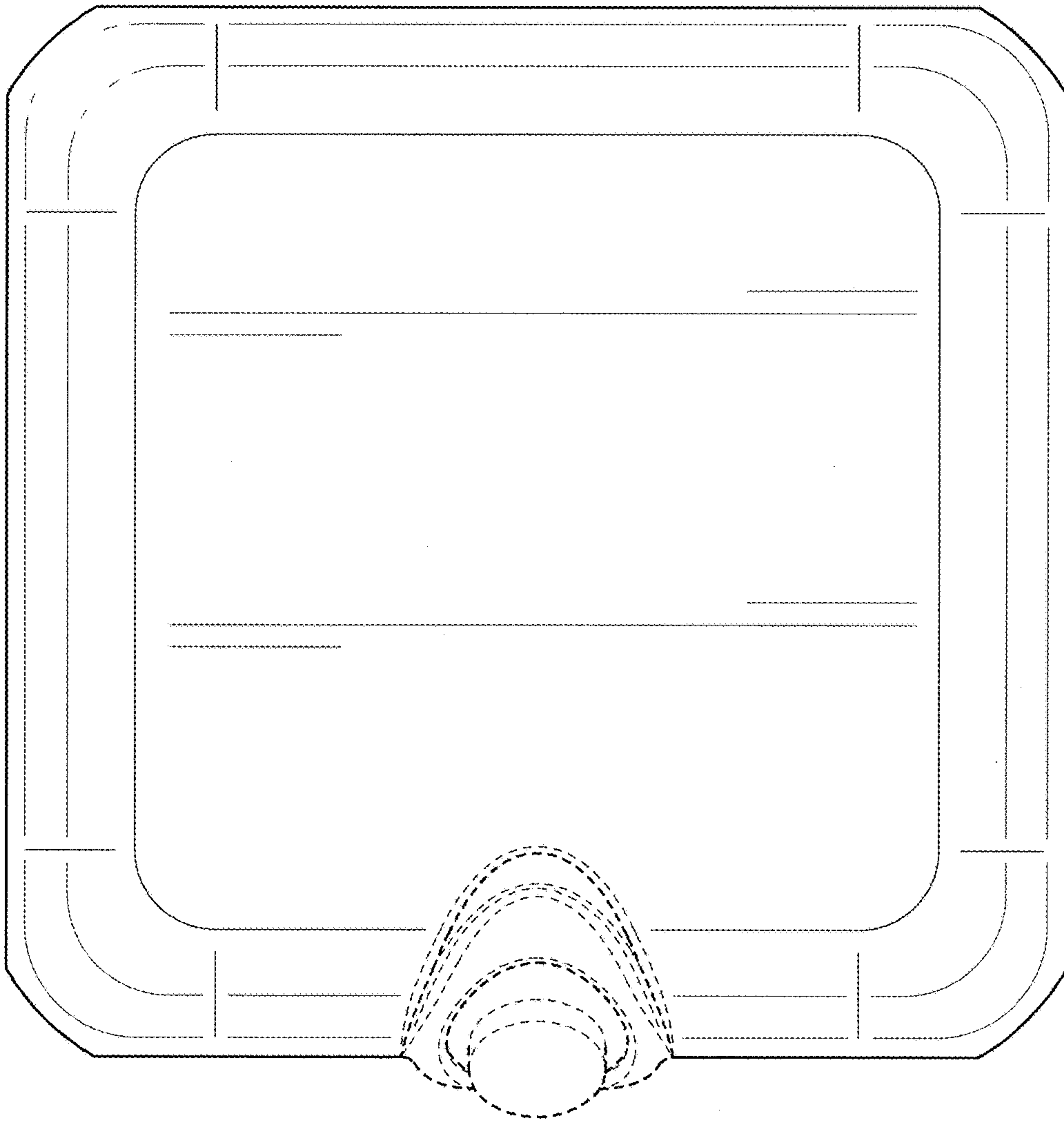


FIG. 6

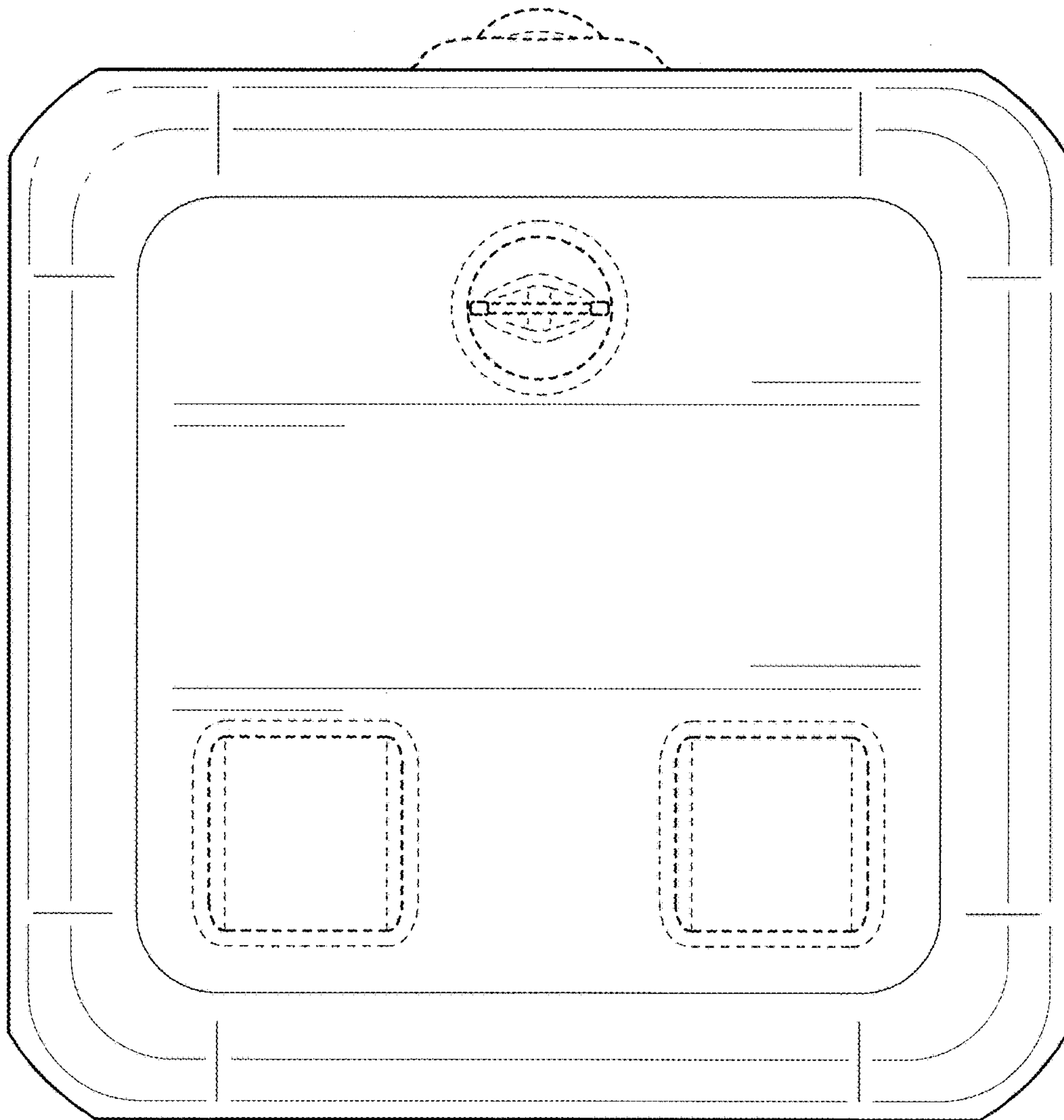


FIG. 7