



US00D843885S

(12) **United States Design Patent**  
**Jackson**

(10) **Patent No.:** **US D843,885 S**

(45) **Date of Patent:** **\*\* Mar. 26, 2019**

- (54) **FLAG WITH HOLDER**
- (71) Applicant: **Charles Jackson**, Rockville, IN (US)
- (72) Inventor: **Charles Jackson**, Rockville, IN (US)
- (\*\*) Term: **15 Years**
- (21) Appl. No.: **29/605,016**
- (22) Filed: **May 23, 2017**
- (51) **LOC (11) Cl.** ..... **11-05**
- (52) **U.S. Cl.**  
USPC ..... **D11/166**
- (58) **Field of Classification Search**  
USPC ..... D11/108, 109, 165, 166, 172, 178, 179,  
D11/180, 181, 182; D20/27, 41, 42;  
D26/67, 68, 142, 153  
CPC ..... G09F 17/00; G09F 2017/0033; G09F  
2017/0066; G09F 13/04; G09F  
2017/0075; G09F 2017/0083; E01F 9/615  
See application file for complete search history.

(56) **References Cited**

**U.S. PATENT DOCUMENTS**

- 41,656 A \* 2/1864 Watson ..... G09F 17/00  
116/173
- 1,198,324 A \* 9/1916 Burnside ..... G09F 17/00  
116/173
- D59,656 S \* 11/1921 Hudson ..... D10/109.1
- 1,646,467 A \* 10/1927 Walton ..... E04H 12/32  
116/174
- 1,725,250 A \* 8/1929 Burgess ..... E04H 12/32  
116/173
- 1,740,747 A \* 12/1929 Price ..... G09F 23/00  
362/327
- 1,828,892 A \* 10/1931 Felton ..... E01F 9/65  
116/173
- 2,263,138 A \* 11/1941 Olson ..... E04H 12/32  
116/173

- 2,270,753 A \* 1/1942 Fikes ..... G09F 17/00  
116/173
- D134,995 S \* 2/1943 Gearing ..... D11/166
- 2,322,891 A \* 6/1943 Snyder ..... B60R 13/00  
116/173
- 3,016,035 A \* 1/1962 Asbury ..... E01F 9/612  
116/173
- 3,843,079 A \* 10/1974 Reising ..... E04H 12/2238  
248/156
- 5,103,582 A \* 4/1992 Farmer ..... G09F 15/00  
40/607.03
- D342,549 S \* 12/1993 Hofman ..... D20/41
- D350,007 S \* 8/1994 Ferguson ..... D99/43
- D354,712 S \* 1/1995 Moat ..... D11/166
- D356,893 S \* 4/1995 Conmy ..... D32/42
- 5,729,924 A \* 3/1998 Reading
- 6,086,448 A \* 7/2000 Ibanez ..... G09F 17/00  
40/218
- 6,402,117 B1 \* 6/2002 Tsai ..... E04H 12/2261  
248/530

(Continued)

*Primary Examiner* — Vy N Koenig  
*Assistant Examiner* — Kimberly Barnes

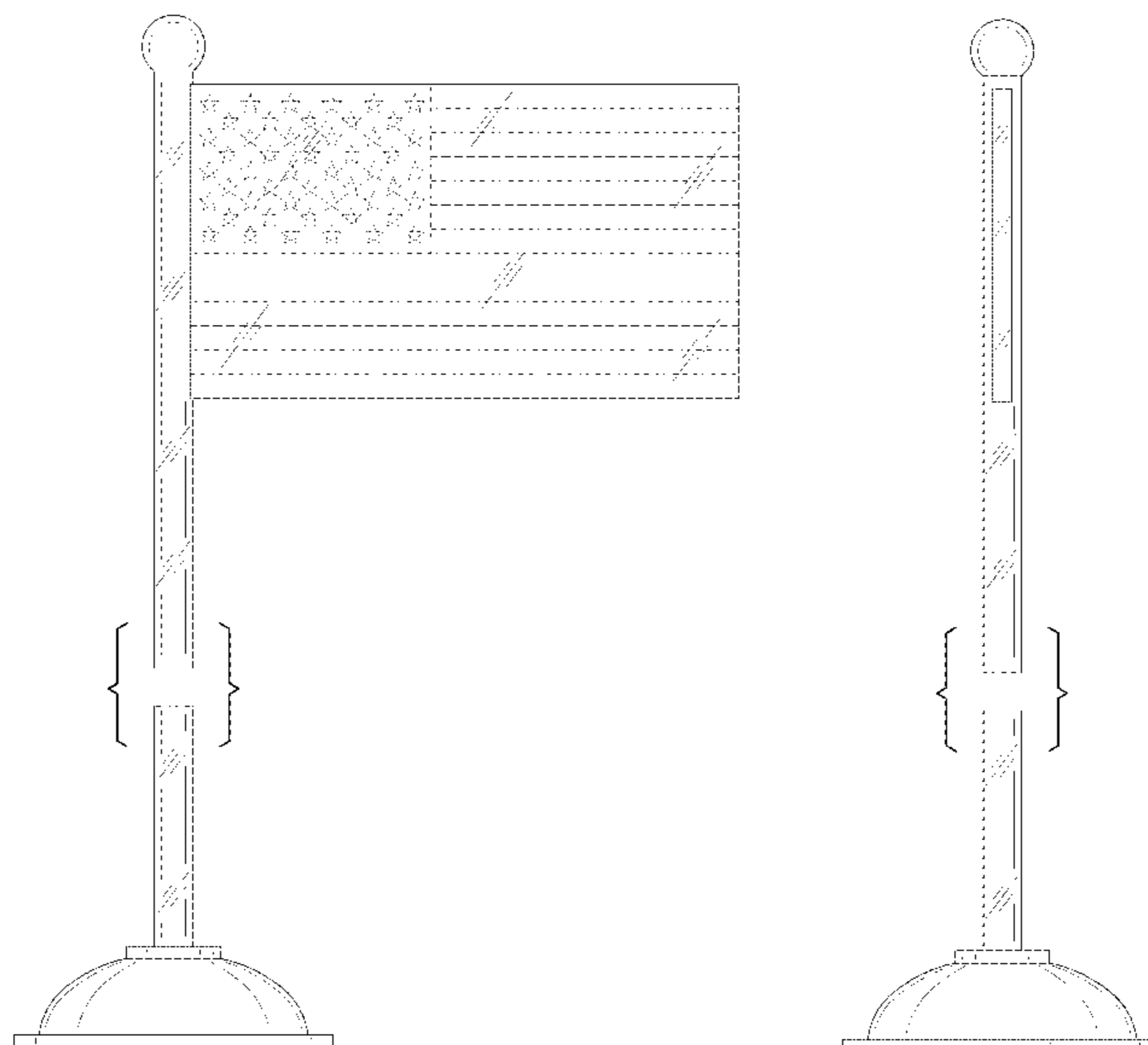
(57) **CLAIM**

The ornamental design for a flag with holder, as shown and described.

**DESCRIPTION**

FIG. 1 is a front view of a flag with holder showing my new design, a rear view being a mirror image thereof; FIG. 2 is a left side view of the flag with holder; FIG. 3 is a right side view of the flag with holder; FIG. 4 is a top view of the flag with holder; and, FIG. 5 is a bottom view of the flag with holder. The broken lines in FIG. 1 depict portions of the flag holder that form no part of the claimed design. The flag holder is shown with a symbolic break in its height. The appearance of any portion of the article between the break lines forms no part of the claimed design.

**1 Claim, 4 Drawing Sheets**



(56)

**References Cited**

U.S. PATENT DOCUMENTS

6,599,001 B2 \* 7/2003 Johnson ..... B60Q 1/50  
 362/493  
 6,732,460 B2 5/2004 Blakeslee  
 D507,843 S 7/2005 Calimlim  
 6,923,141 B1 \* 8/2005 Staats ..... G09F 17/00  
 116/173  
 7,066,105 B2 \* 6/2006 Tal ..... B60Q 1/50  
 116/173  
 7,147,399 B2 \* 12/2006 Viscount ..... A63C 19/062  
 403/349  
 D550,289 S \* 9/2007 Prokop ..... D20/41  
 D585,329 S \* 1/2009 Flanagan ..... D11/166  
 7,637,226 B1 \* 12/2009 Bradley ..... G09F 15/005  
 116/173  
 D638,745 S \* 5/2011 Nelson ..... D11/166  
 8,510,874 B2 \* 8/2013 Duboc ..... E03D 9/00  
 4/255.11  
 8,839,736 B2 9/2014 Bort  
 D747,036 S \* 1/2016 Wilturner ..... D11/166  
 9,441,353 B1 \* 9/2016 Hamil ..... E03C 1/308  
 9,631,349 B2 \* 4/2017 Petner ..... H05K 999/99  
 9,717,974 B2 \* 8/2017 Hahn ..... A63B 71/023  
 D799,367 S \* 10/2017 Wildhagen ..... D11/166  
 9,821,709 B1 \* 11/2017 Campbell ..... B60Q 1/482  
 9,911,370 B2 \* 3/2018 Magness ..... G09F 17/00  
 9,914,849 B2 \* 3/2018 Blecher ..... E03C 1/308  
 2005/0246928 A1 11/2005 Lee  
 2008/0155870 A1 7/2008 Taylor

\* cited by examiner

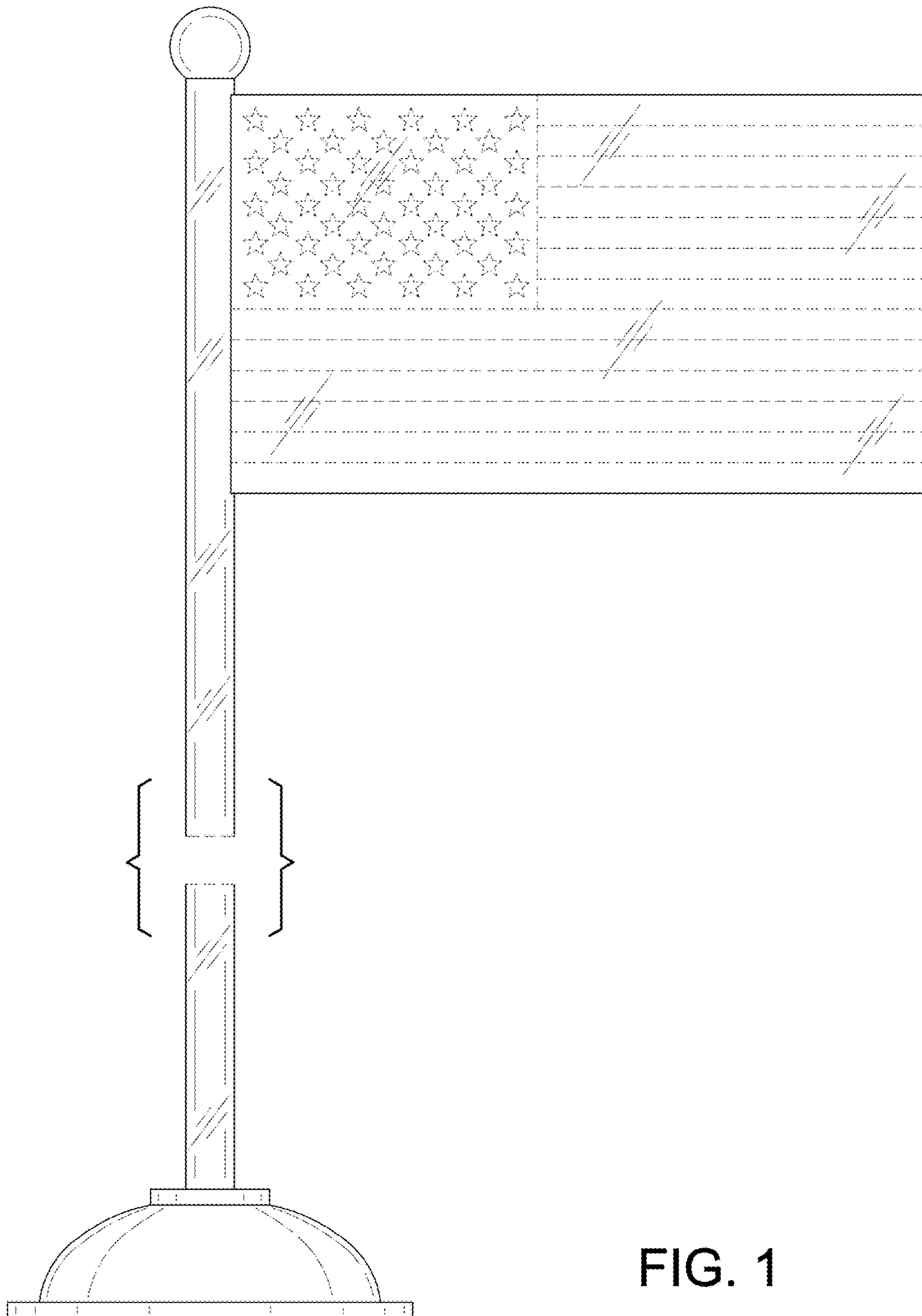


FIG. 1

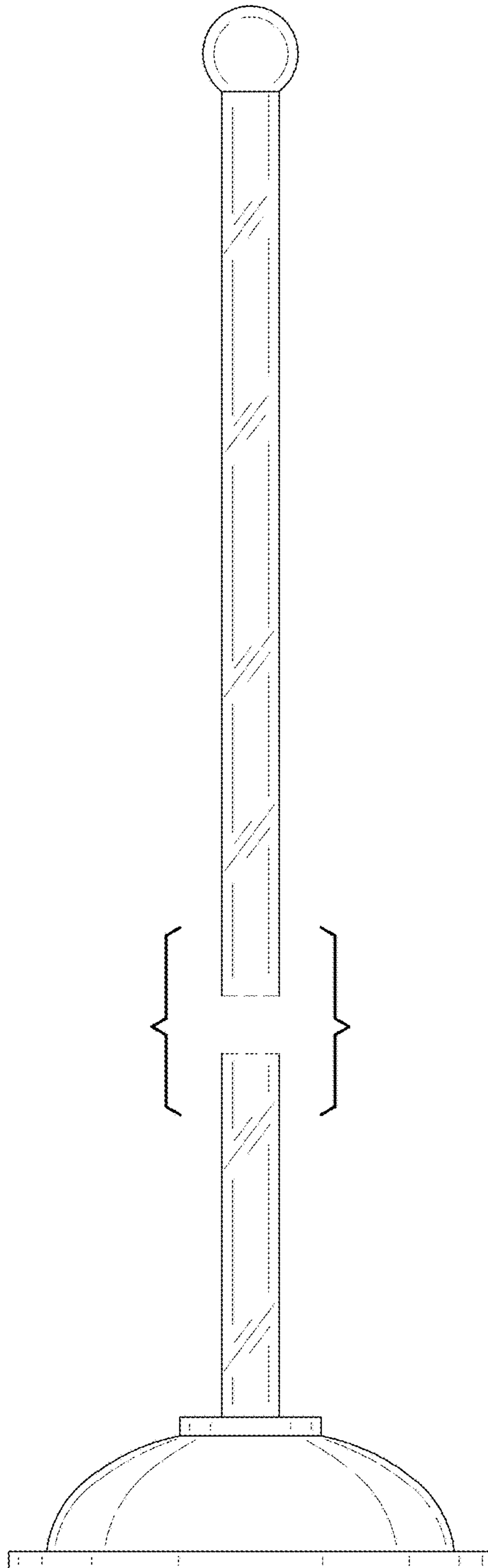


FIG. 2

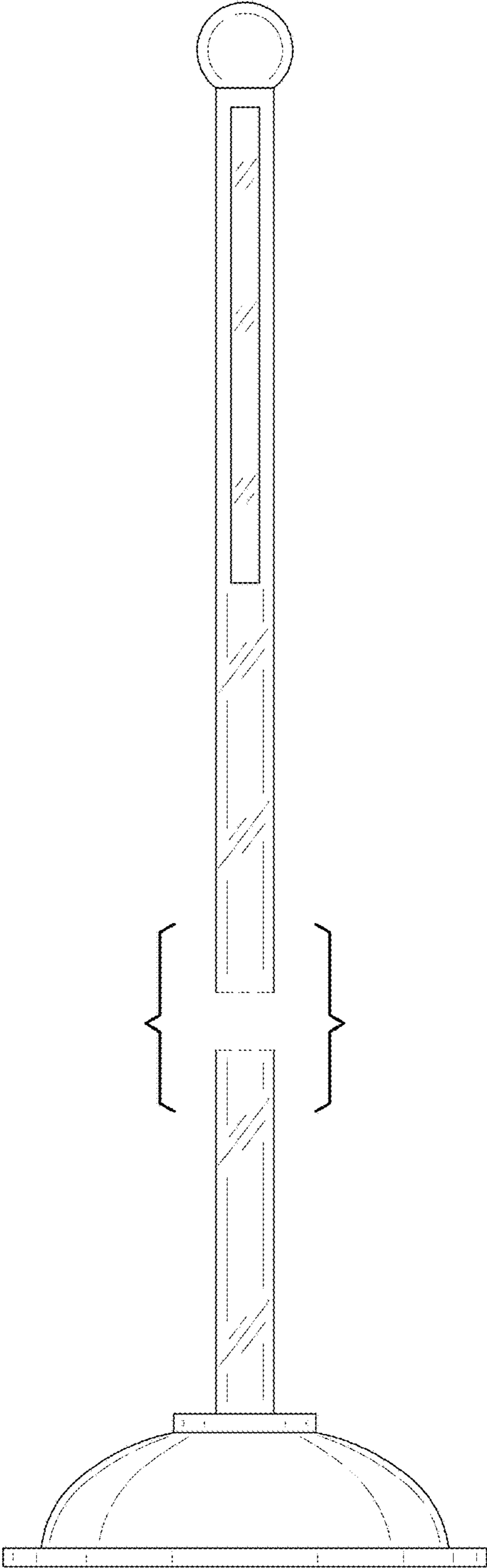


FIG. 3

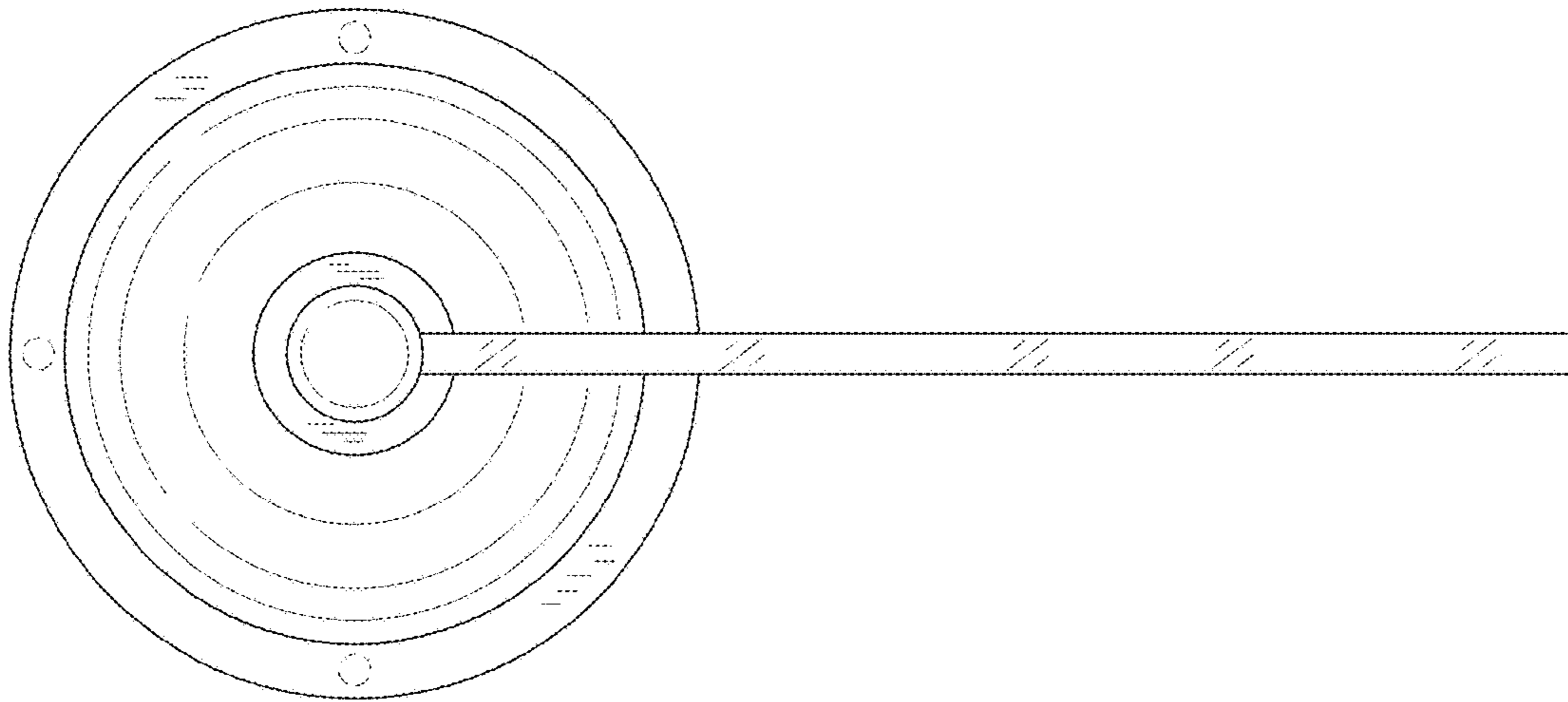


FIG. 4

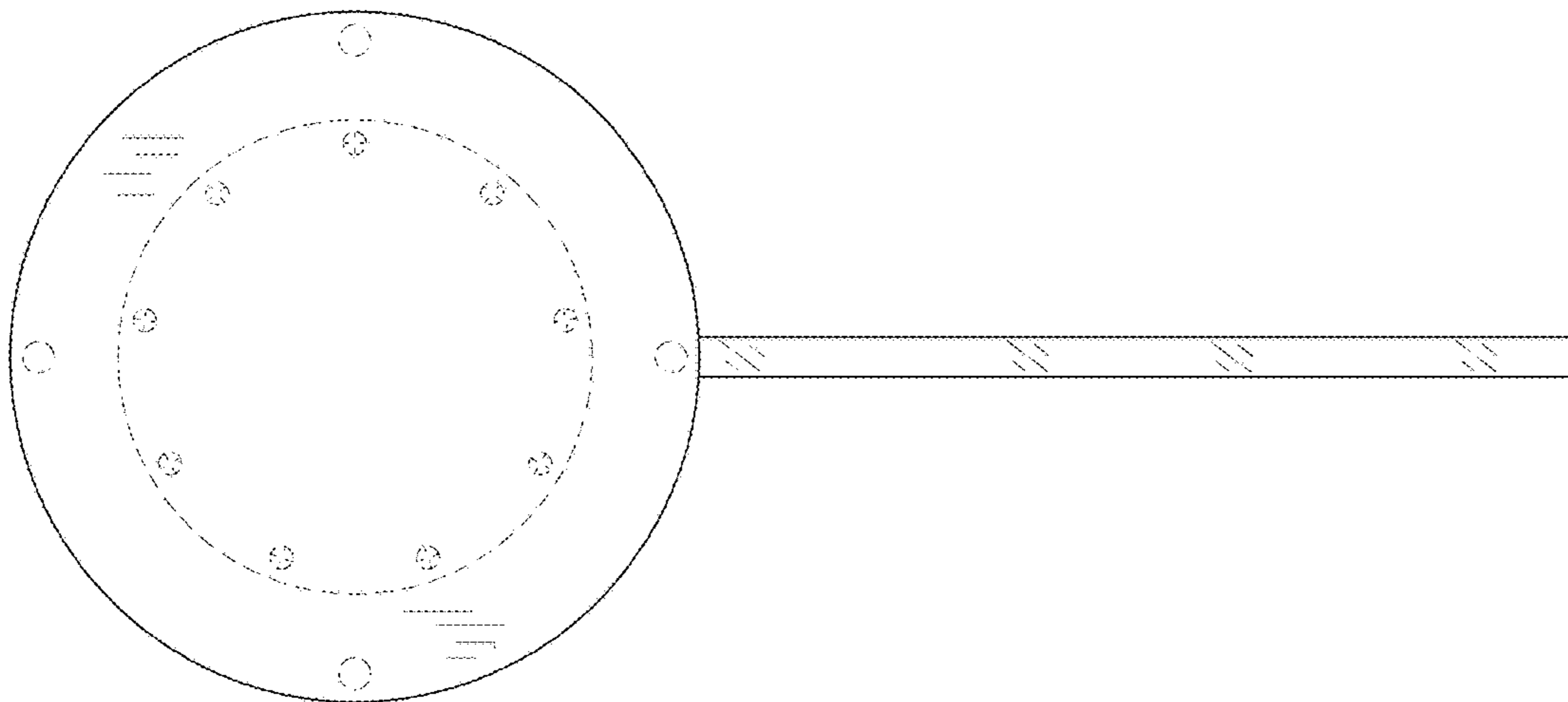


FIG. 5