



US00D843883S

(12) **United States Design Patent**
Watson et al.

(10) **Patent No.:** **US D843,883 S**
(45) **Date of Patent:** **** Mar. 26, 2019**

(54) **FLOATING DECORATION FOR AQUARIUM**

(71) Applicant: **PetSmart Home Office, Inc.**, Phoenix, AZ (US)

(72) Inventors: **Jeff Watson**, Phoenix, AZ (US); **Steve Chattin**, Scottsdale, AZ (US); **Lisa Beilke**, Peoria, AZ (US)

(73) Assignee: **PETSMART HOME OFFICE, INC.**, Phoenix, AZ (US)

(**) Term: **15 Years**

(21) Appl. No.: **29/630,573**

(22) Filed: **Dec. 21, 2017**

(51) **LOC (11) Cl.** **11-02**

(52) **U.S. Cl.**
USPC **D11/160**

(58) **Field of Classification Search**
USPC D11/125, 124, 128, 131, 141, 157, 158, D11/160; D21/576, 587, 594, 621, 622, D21/629, 630; D30/106; 119/256, 262
See application file for complete search history.

(56) **References Cited**

U.S. PATENT DOCUMENTS

D271,703 S	*	12/1983	Pennington	D21/594
D337,664 S	*	7/1993	Perry	D11/160
D566,905 S	*	4/2008	Ragonetti	D30/106
D828,782 S	*	9/2018	Watson	D11/160

OTHER PUBLICATIONS

Frank N' Float, Petco and PetSmart 2017 (via Bogleech), available Sep. 4, 2017, [online], [site visited Jul. 19, 2018]. Available from

internet, <URL: <https://web.archive.org/web/20170904145007/http://www.bogleech.com/halloween/hall17-pets.html> (Year: 2017).*
Top Fin Aquarium Decorations, available Jun. 7, 2018, [online], [site visited Jul. 19, 2018]. Available from internet, <URL: <http://megansfictions.com/top-fin-aquarium-decorations/> (Year: 2018).*
Spooky Aquarium Stuff (via Bogleech), available Sep. 7, 2014, [online], [site visited Jul. 19, 2018]. Available from internet, <URL: <https://web.archive.org/web/20140907120126/http://www.bogleech.com:80/halloween/hall14-aqua.html> (Year: 2014).*

* cited by examiner

Primary Examiner — Cathron C Brooks

Assistant Examiner — W. A. Teddy Falloway

(74) *Attorney, Agent, or Firm* — Fox Rothschild LLP

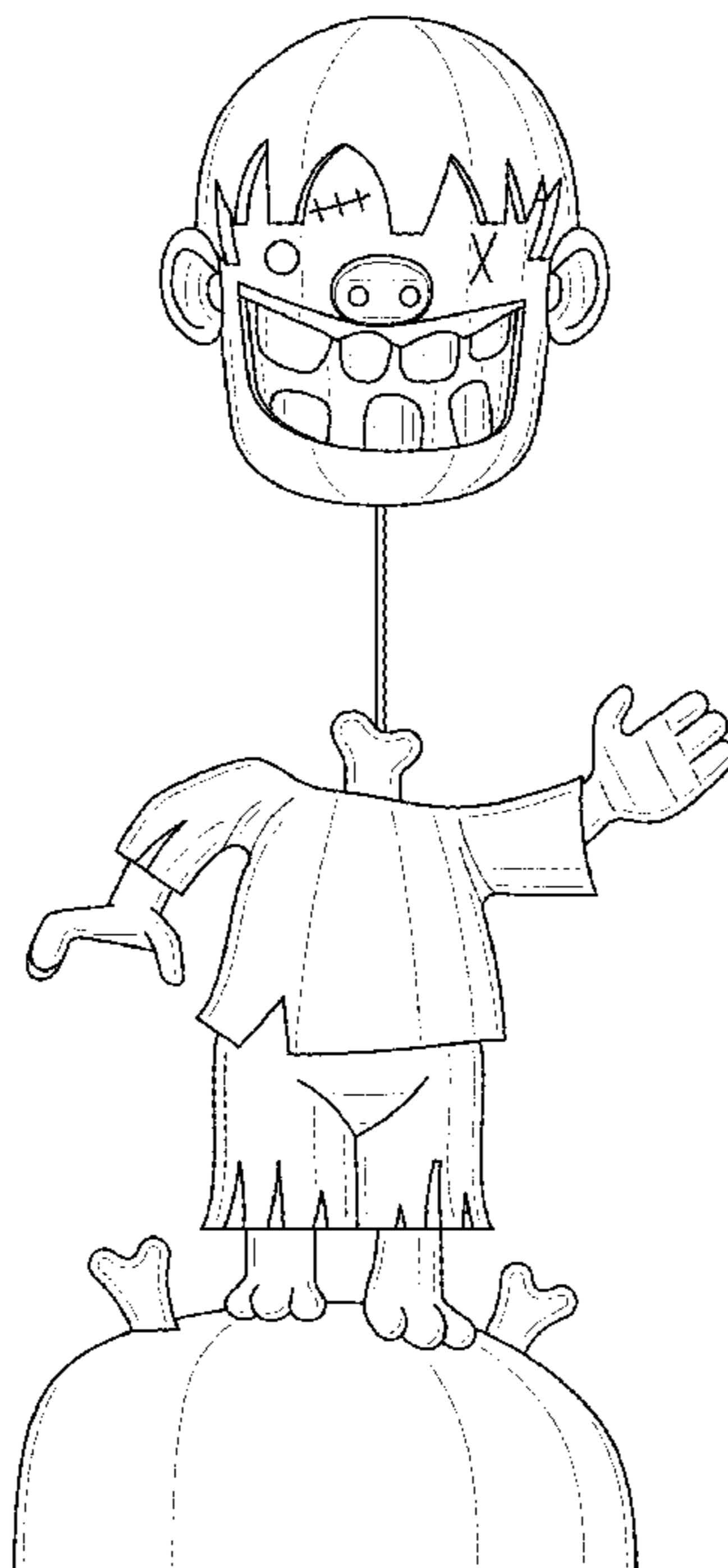
(57) **CLAIM**

The ornamental design for the floating decoration for aquarium, as shown and described.

DESCRIPTION

FIG. 1 is a top perspective view of the floating decoration for aquarium showing our new design;
FIG. 2 is a bottom perspective view thereof;
FIG. 3 is a front elevation view thereof;
FIG. 4 is a rear elevation view thereof;
FIG. 5 is a right-side elevation view thereof;
FIG. 6 is a left-side elevation view thereof;
FIG. 7 is a top plan view thereof; and,
FIG. 8 is a bottom plan view thereof.

1 Claim, 7 Drawing Sheets



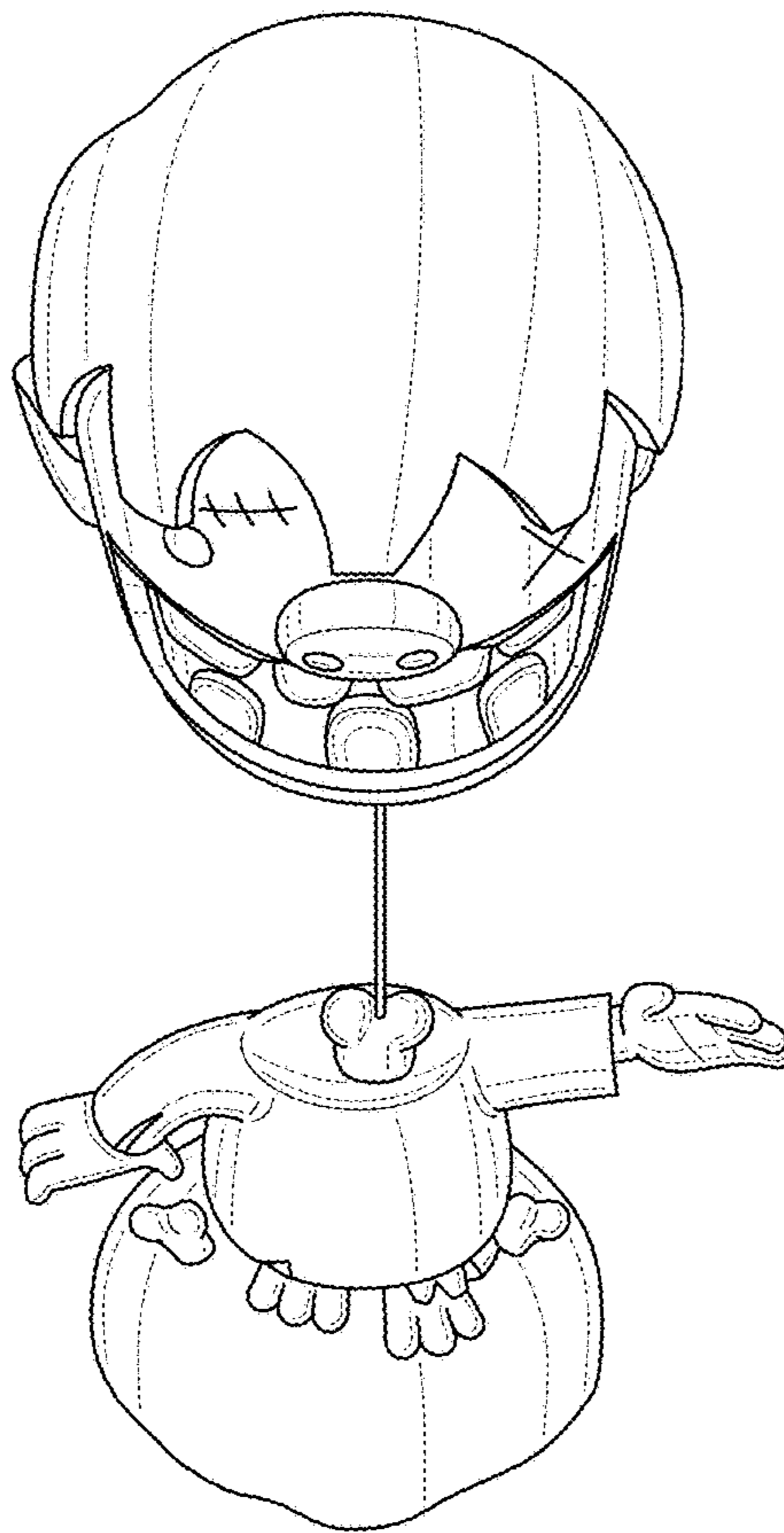


FIG. 1

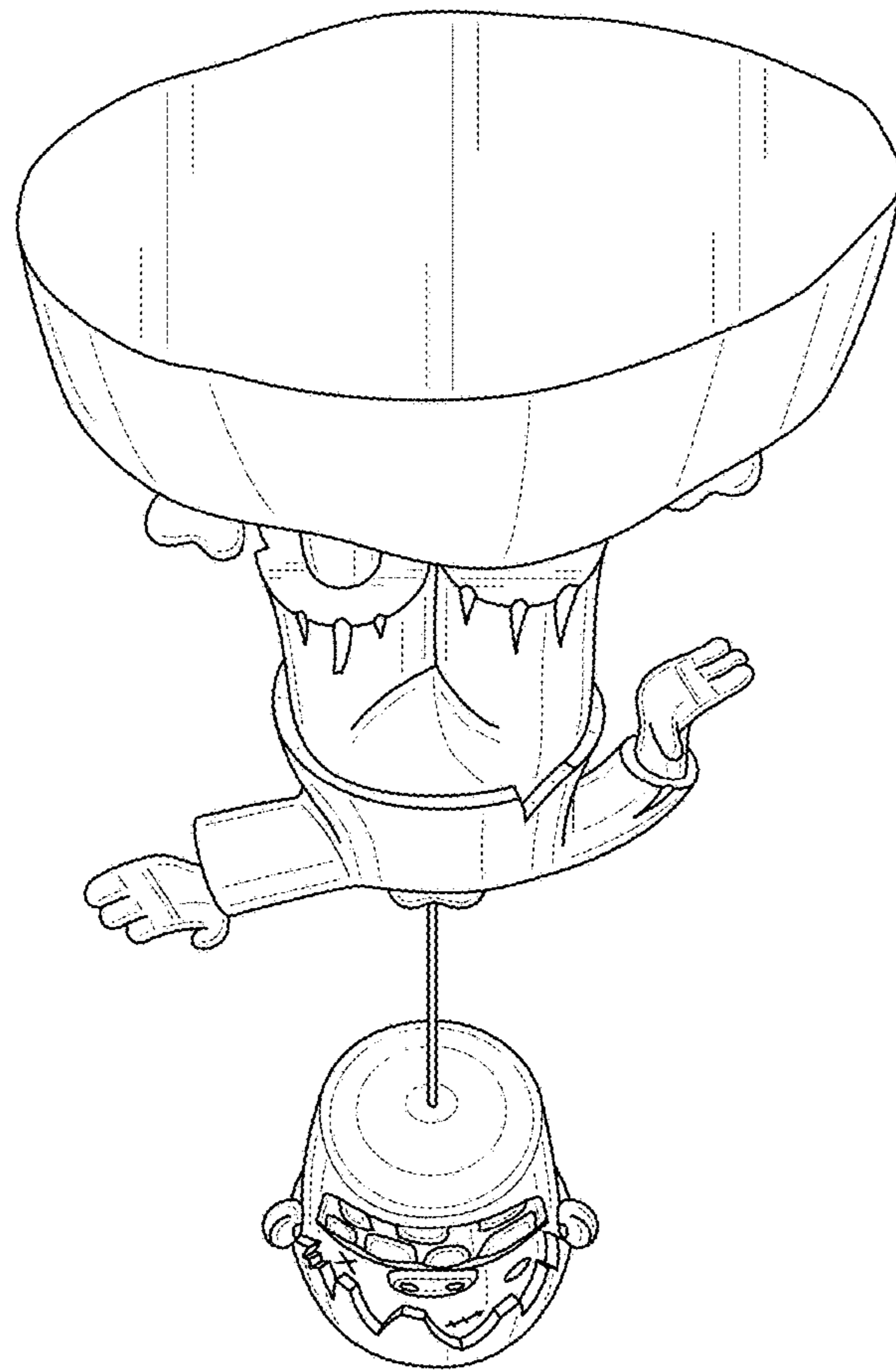


FIG. 2

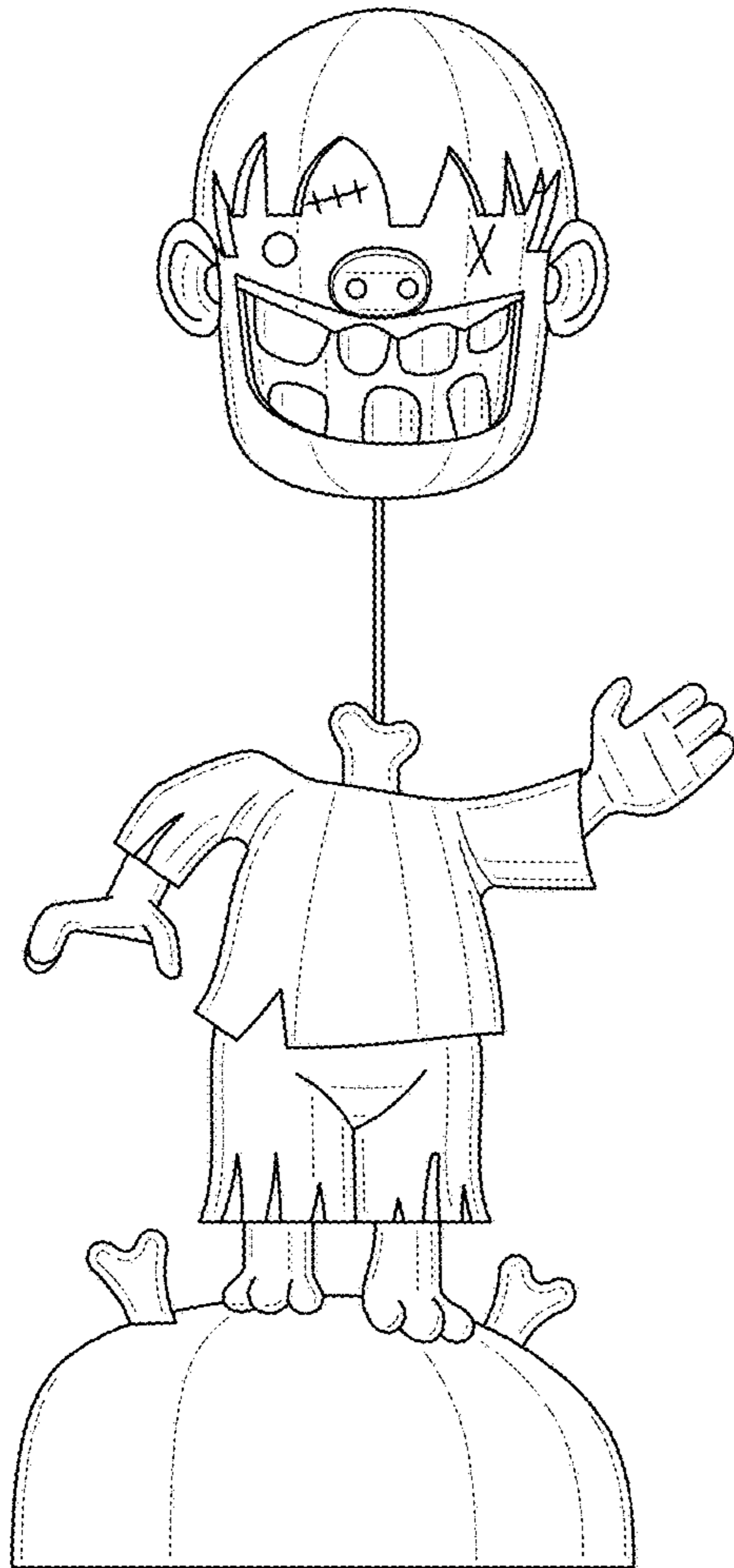


FIG. 3

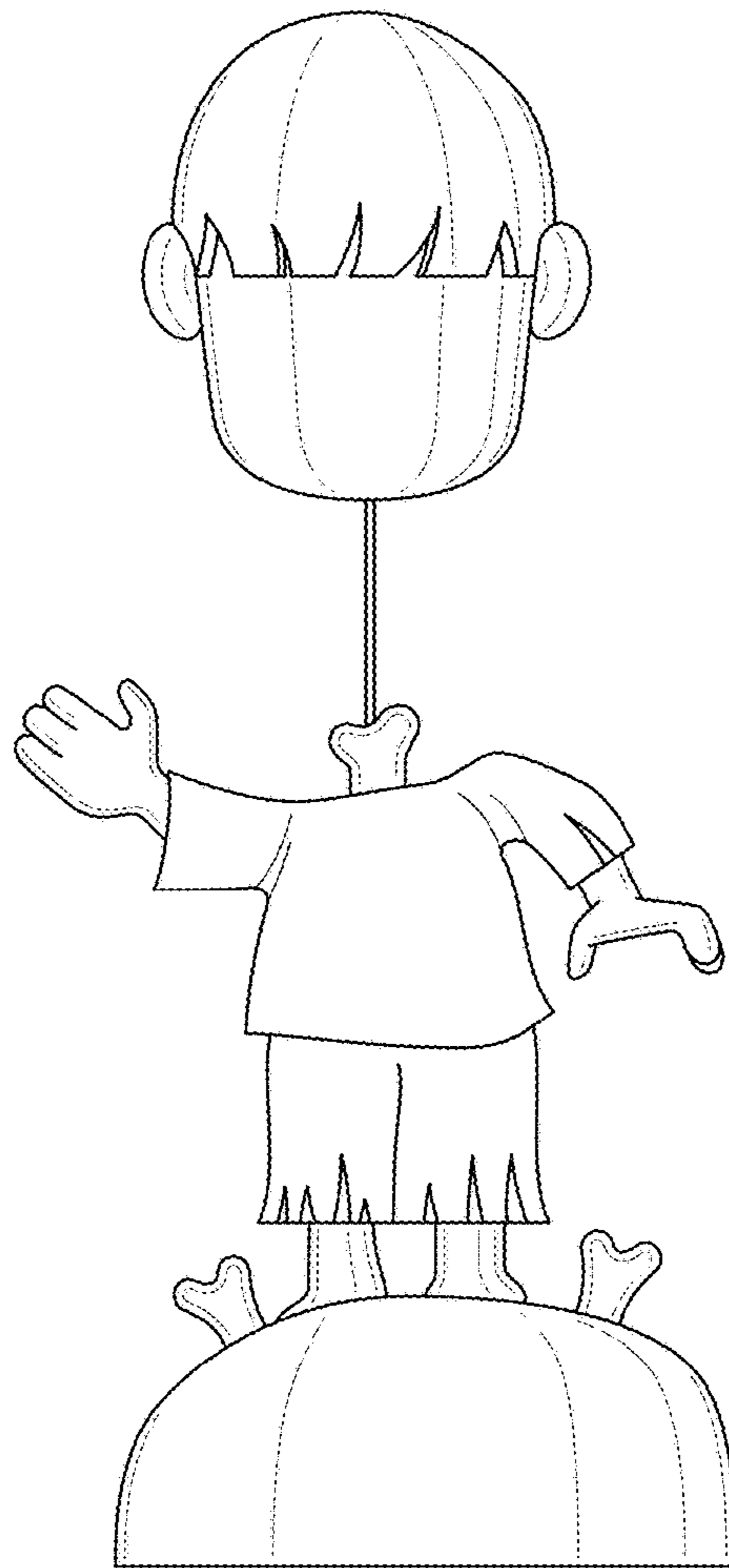


FIG. 4

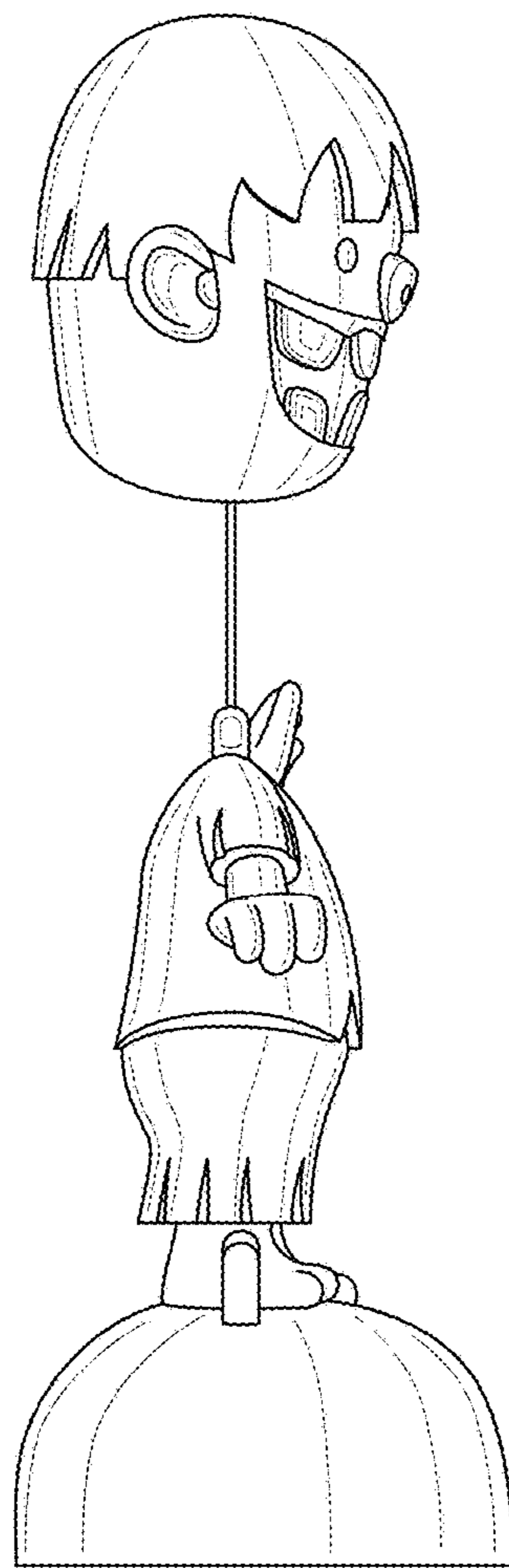


FIG. 5

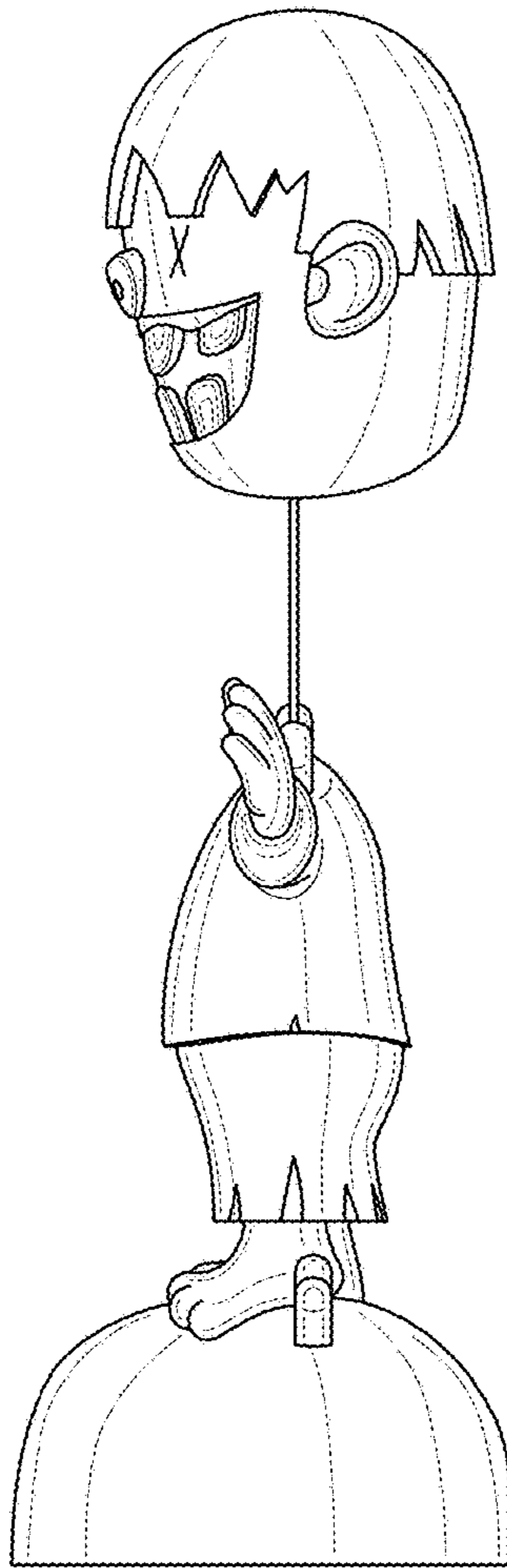


FIG. 6

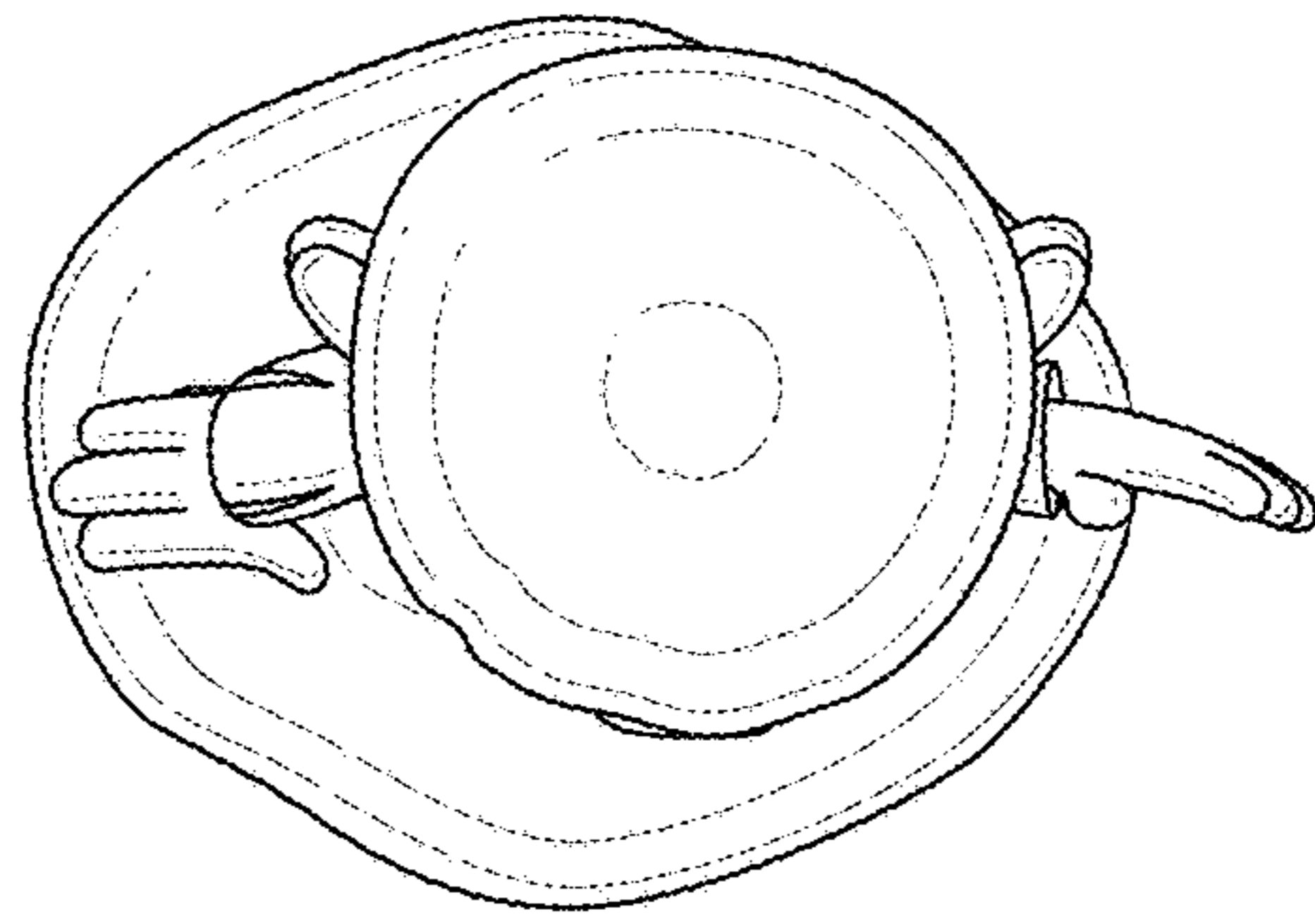


FIG. 7

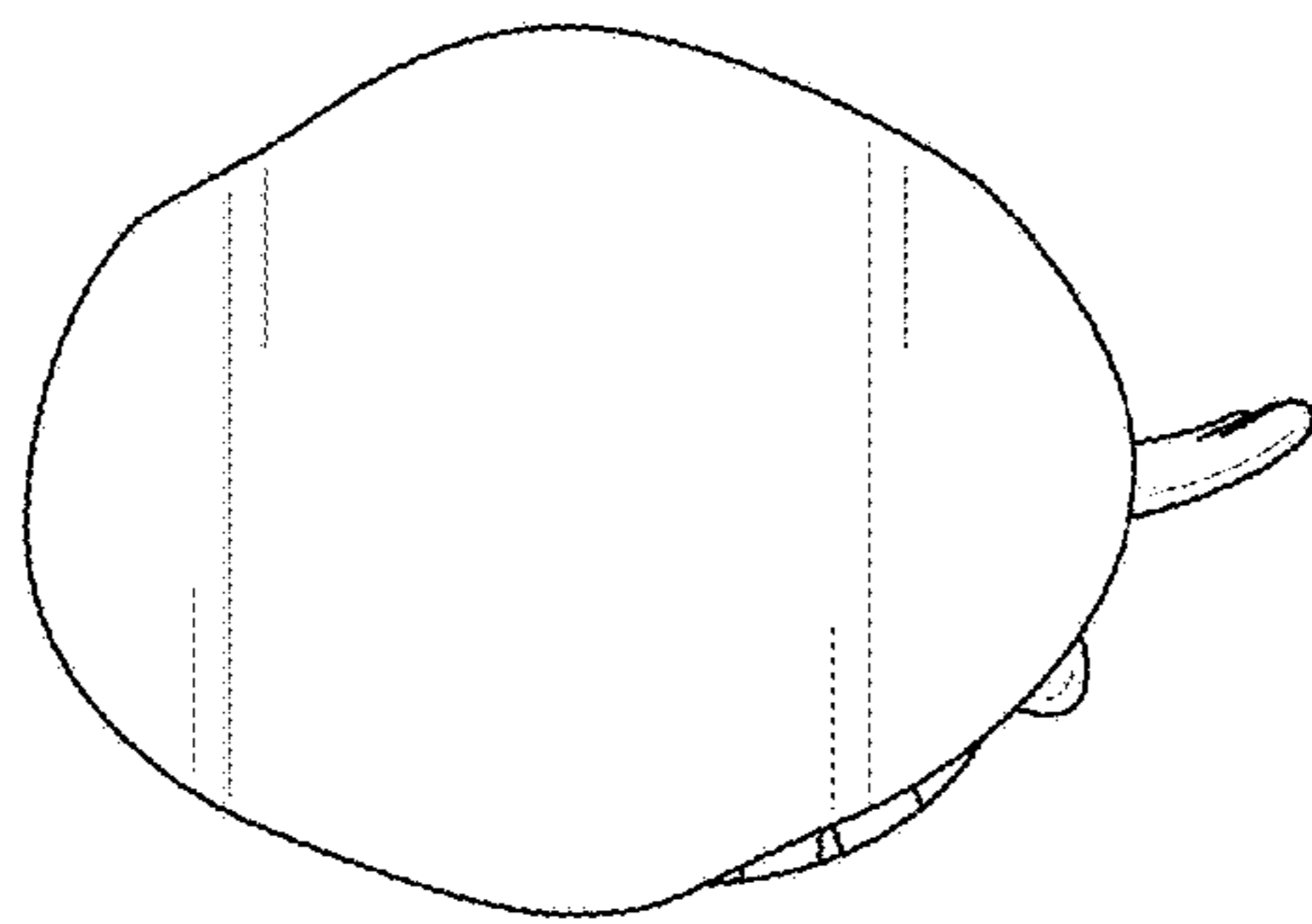


FIG. 8