



US00D843881S

(12) **United States Design Patent**  
**Park**

(10) **Patent No.:** **US D843,881 S**

(45) **Date of Patent:** **\*\* Mar. 26, 2019**

(54) **CEILING PLANTER**

(71) Applicant: **Umbra LLC**, Buffalo, NY (US)

(72) Inventor: **Sung Wook Park**, Toronto (CA)

(73) Assignee: **Umbra LLC**, Buffalo, NY (US)

(\*\*) Term: **15 Years**

(21) Appl. No.: **29/619,009**

(22) Filed: **Sep. 26, 2017**

(51) **LOC (11) Cl.** ..... **11-02**

(52) **U.S. Cl.**  
USPC ..... **D11/148**

(58) **Field of Classification Search**  
USPC ..... D11/148, 149, 152, 153, 154; D23/267;  
D7/608, 609, 704  
CPC ..... A47G 7/044  
See application file for complete search history.

(56) **References Cited**

**U.S. PATENT DOCUMENTS**

D242,941 S *	1/1977	Nagata	47/66.6
4,024,670 A *	5/1977	Stanley	A01G 9/029
			47/73
D256,110 S *	7/1980	Dunbar	D11/153
D271,091 S *	10/1983	Peterson	D11/153
D275,432 S *	9/1984	Chan	D11/148
D285,992 S *	10/1986	De Vries	D6/677.2
4,691,473 A *	9/1987	Ragen	A47G 7/047
			248/315
D369,122 S *	4/1996	Lowe, Jr.	D11/148
D425,326 S *	5/2000	Rehmert	D6/403
D434,696 S *	12/2000	Ward	D11/151
D515,184 S *	2/2006	Beall	D11/148
D562,879 S *	2/2008	Lerner	D17/22
D575,327 S *	8/2008	Lerner	D17/22
D610,009 S *	2/2010	Prufer	D9/504
D727,788 S *	4/2015	Hetland	D11/144

D729,370 S *	5/2015	Chou	D23/366
D770,860 S *	11/2016	Wampold	D7/608
D817,935 S *	5/2018	Zukowski	D14/228

**FOREIGN PATENT DOCUMENTS**

CN	304760946	*	7/2018
EM	114406601-0004	*	11/2017

\* cited by examiner

*Primary Examiner* — Karen S Acker

*Assistant Examiner* — Steven B Reinholdt, Jr.

(74) *Attorney, Agent, or Firm* — Simpson & Simpson, PLLC

(57) **CLAIM**

The ornamental design for a ceiling planter, as shown and described.

**DESCRIPTION**

FIG. 1 is a top, front, and right perspective view of a ceiling planter showing my new design;

FIG. 2 is a front elevational view of the ceiling planter shown in FIG. 1;

FIG. 3 is a back elevational view of the ceiling planter shown in FIG. 1;

FIG. 4 is a left side elevational view of the ceiling planter shown in FIG. 1;

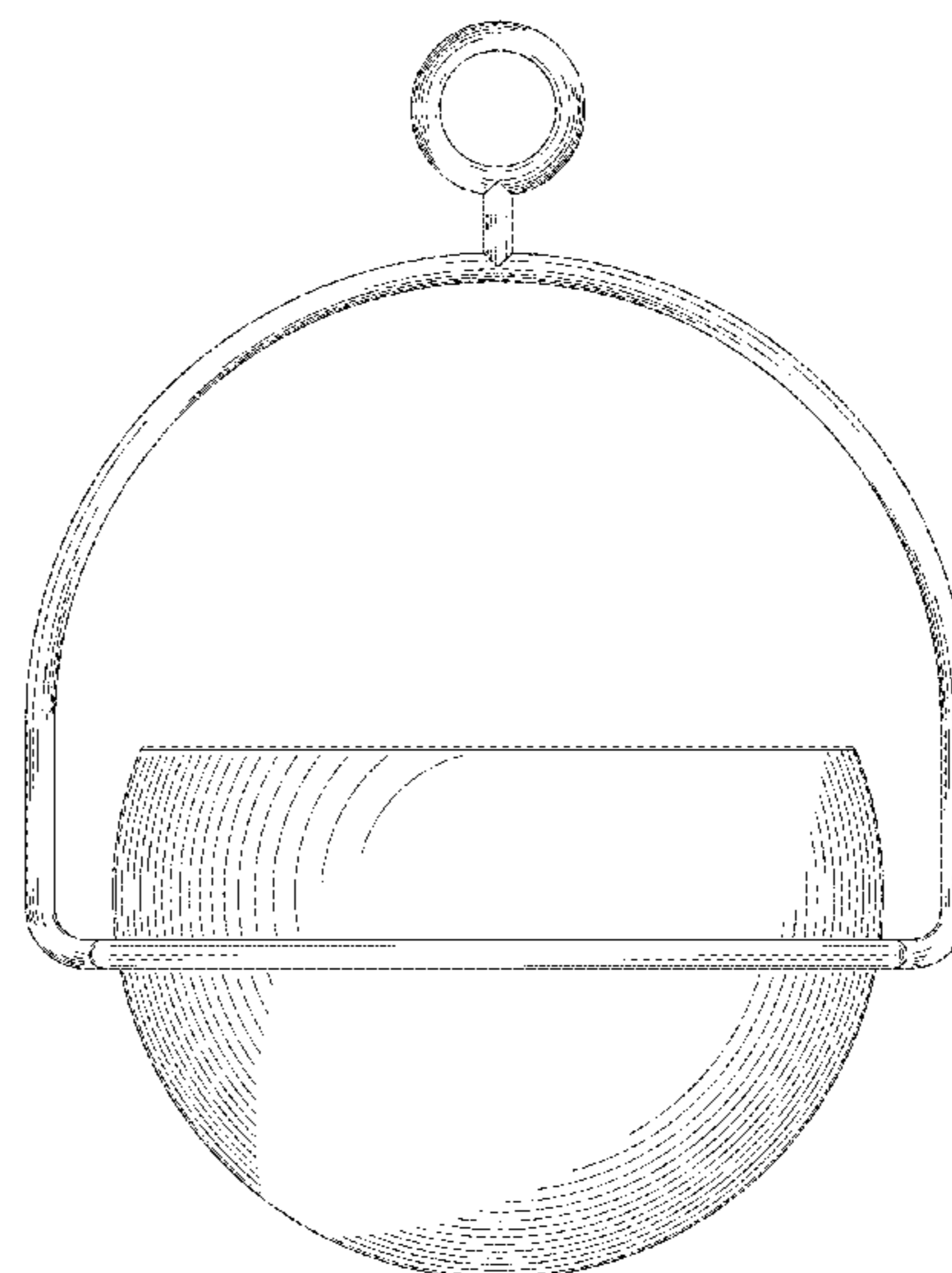
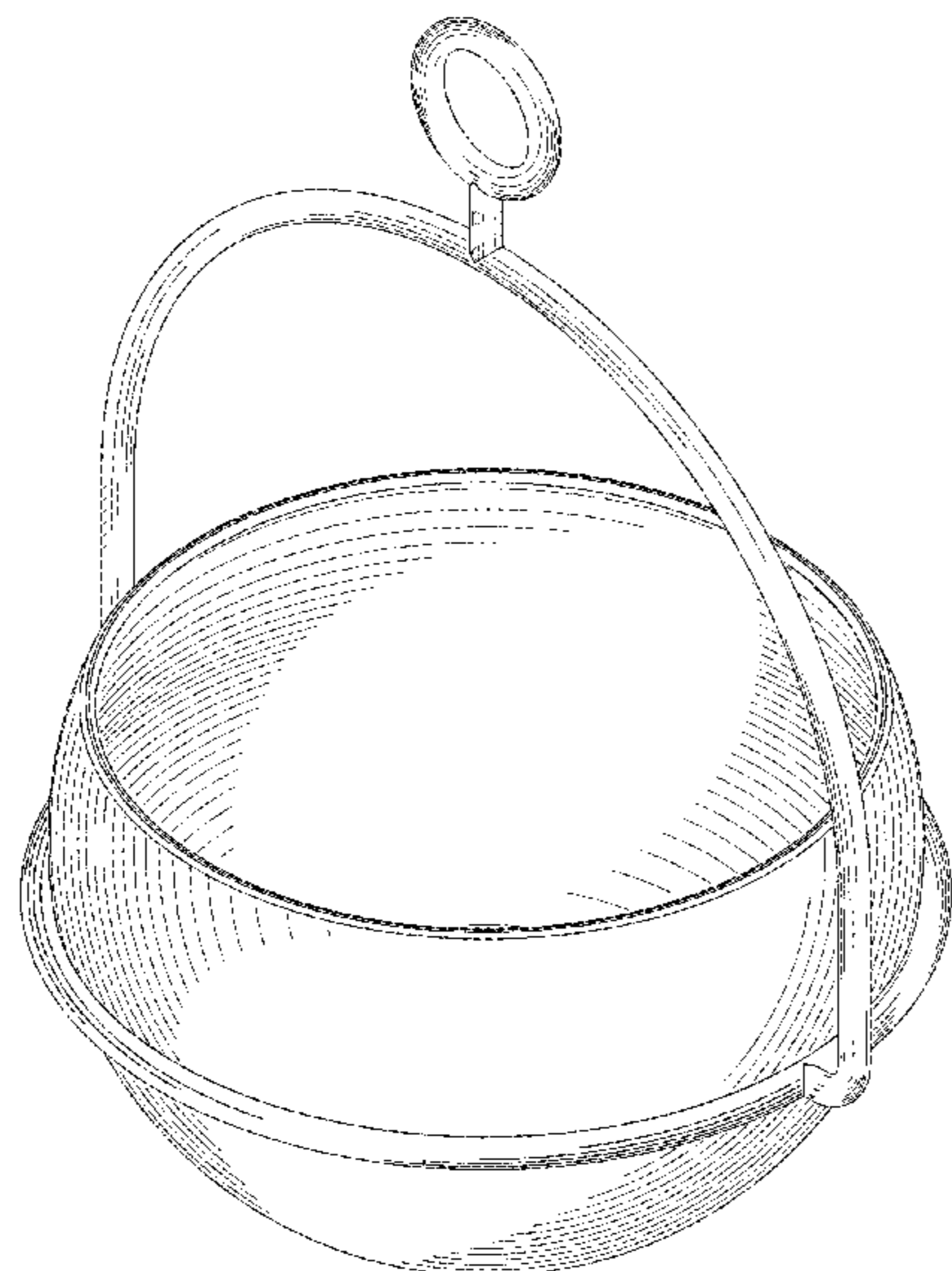
FIG. 5 is a right side elevational view of the ceiling planter shown in FIG. 1;

FIG. 6 is a top plan view of the ceiling planter shown in FIG. 1; and,

FIG. 7 is a bottom plan view of the ceiling planter shown in FIG. 1.

Shading and contour lines are included to convey the curvature of the planter.

**1 Claim, 7 Drawing Sheets**



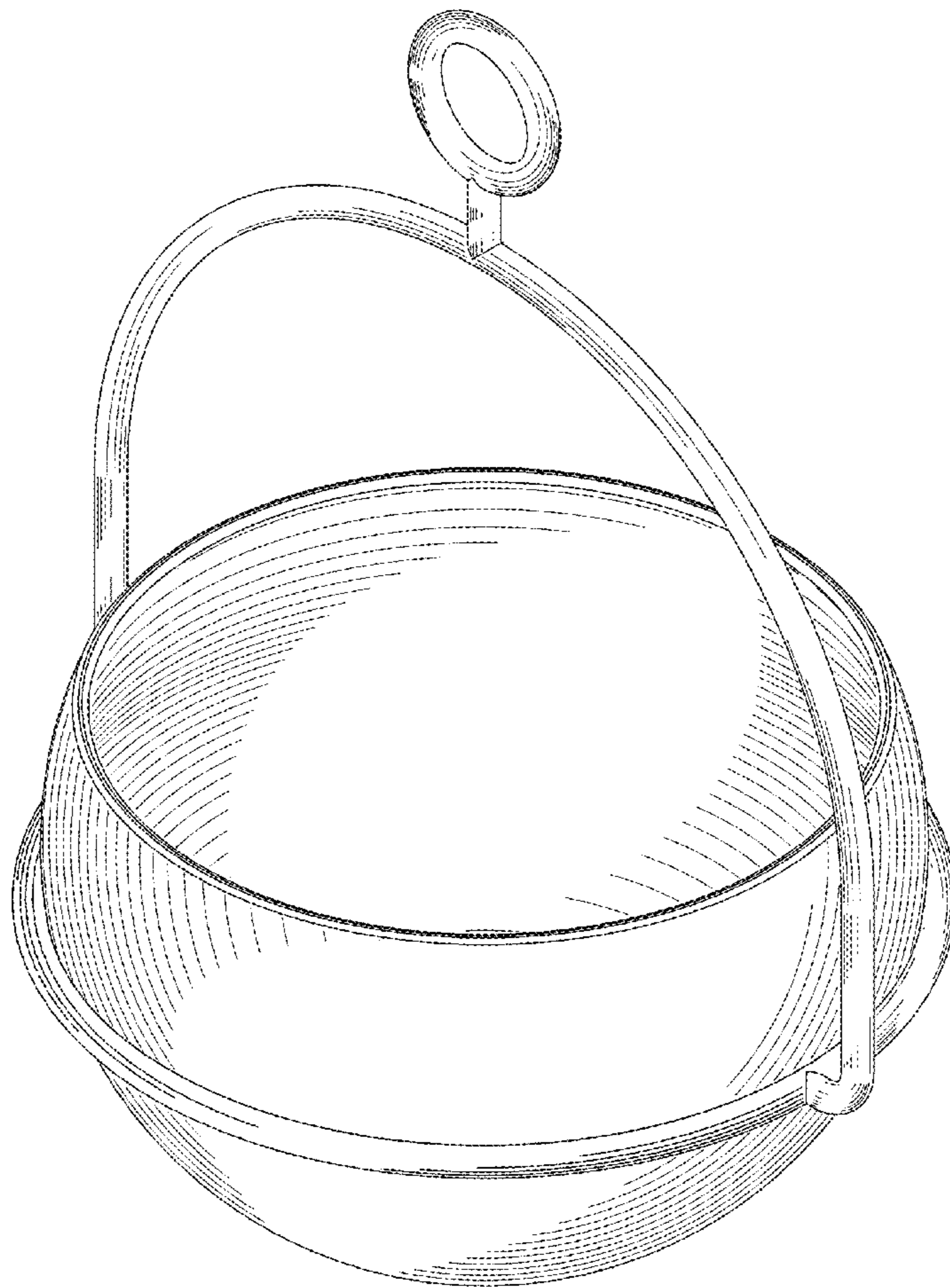


FIG. 1

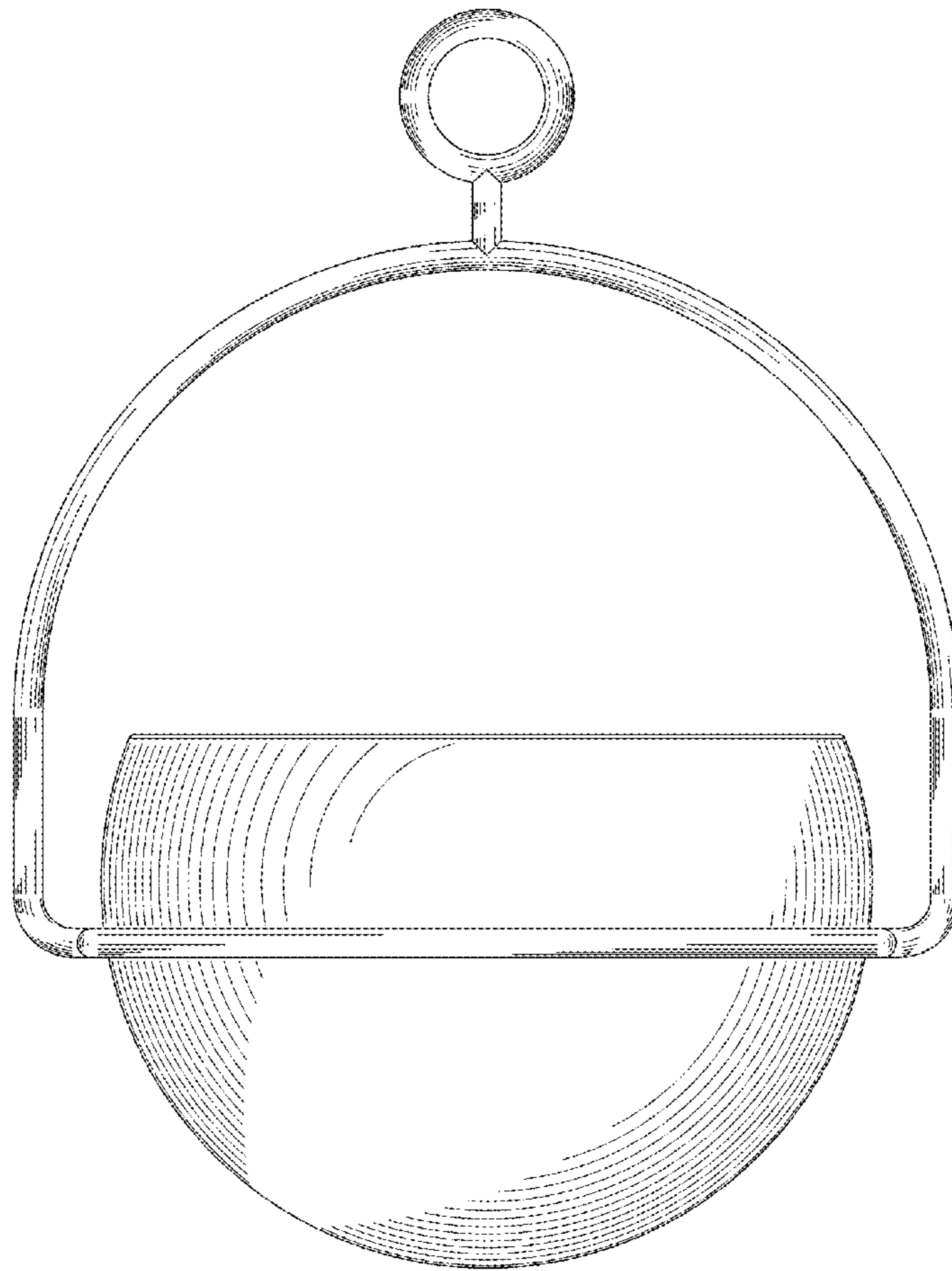


FIG. 2

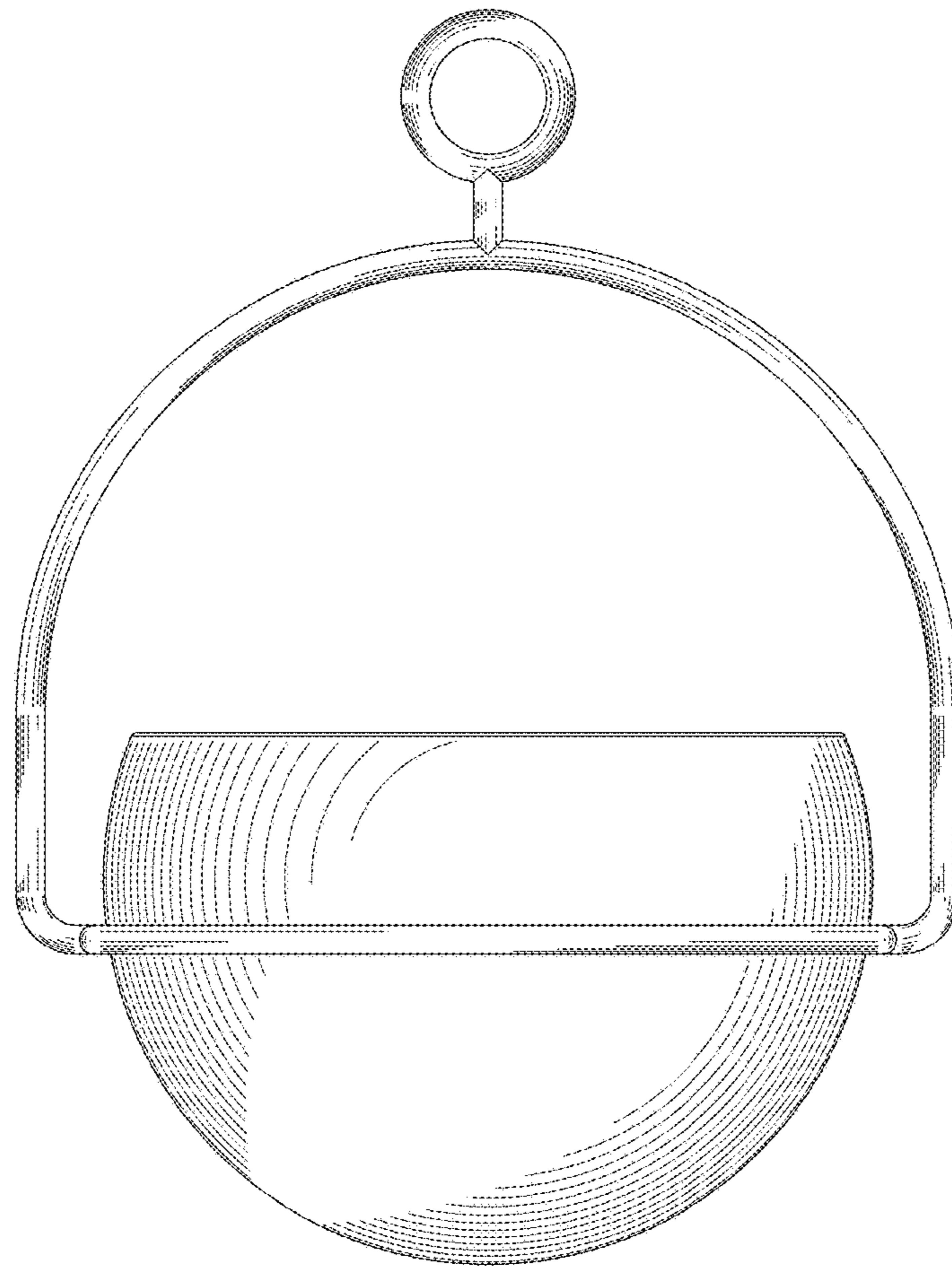


FIG. 3

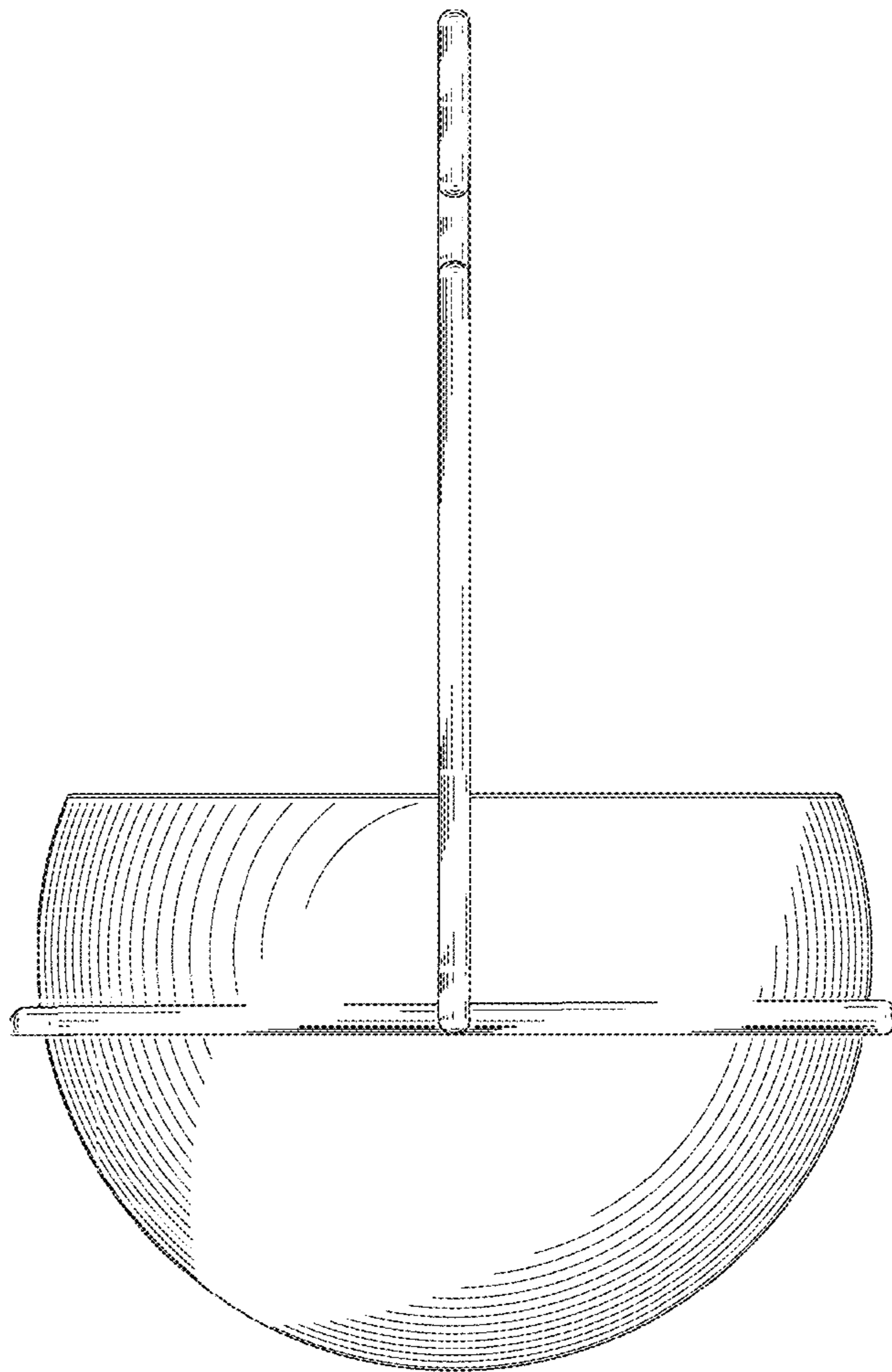


FIG. 4

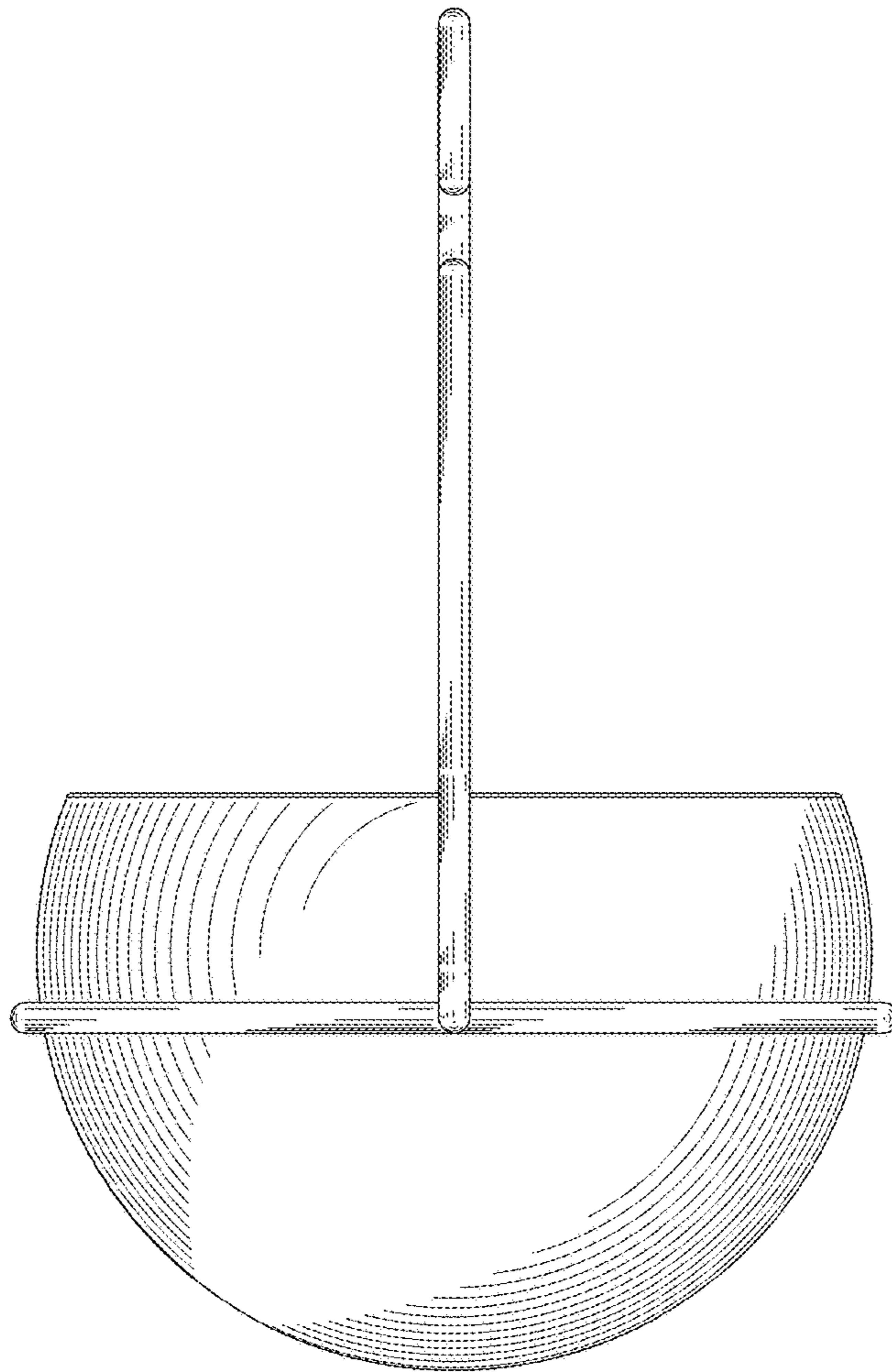


FIG. 5

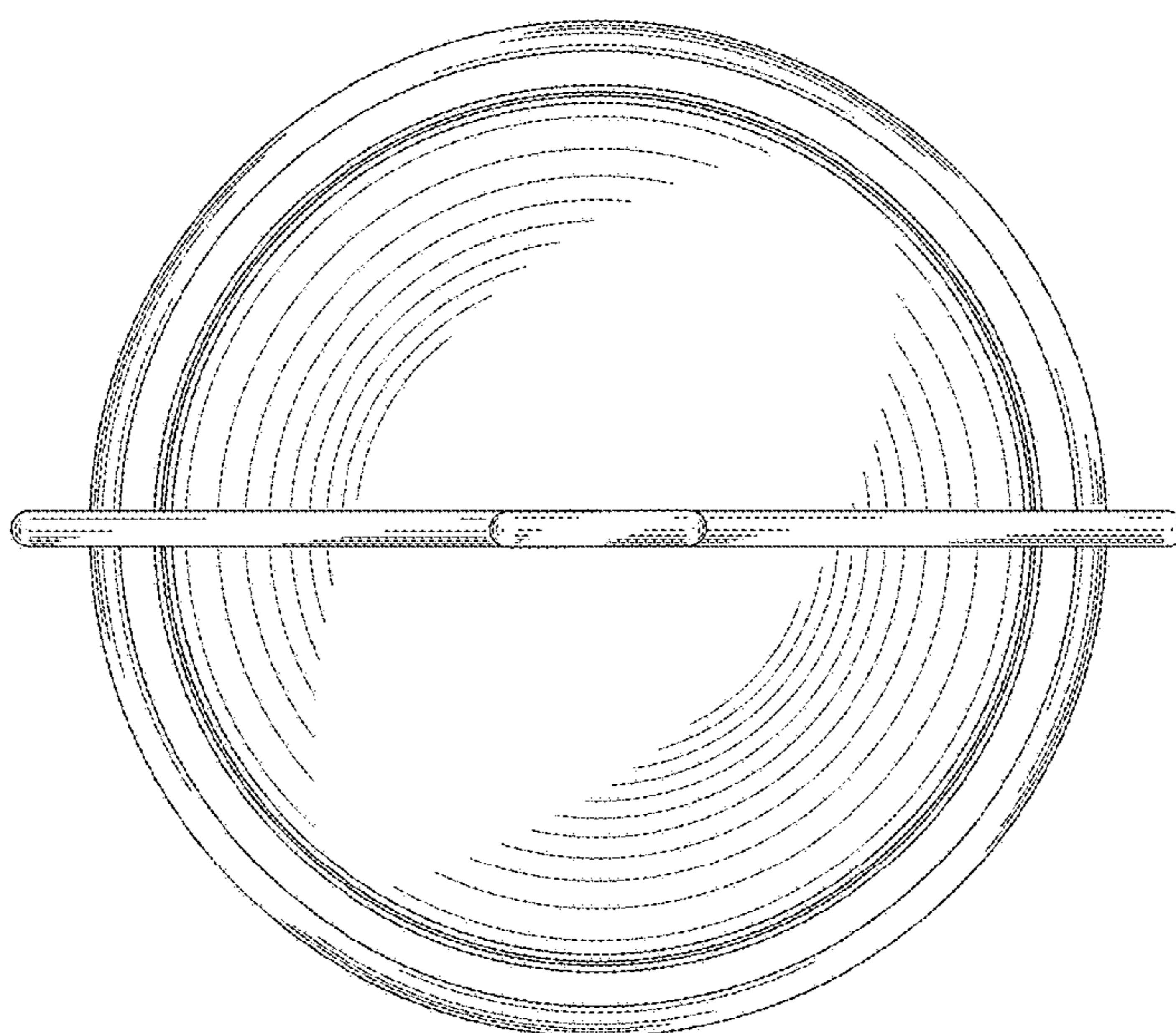


FIG. 6

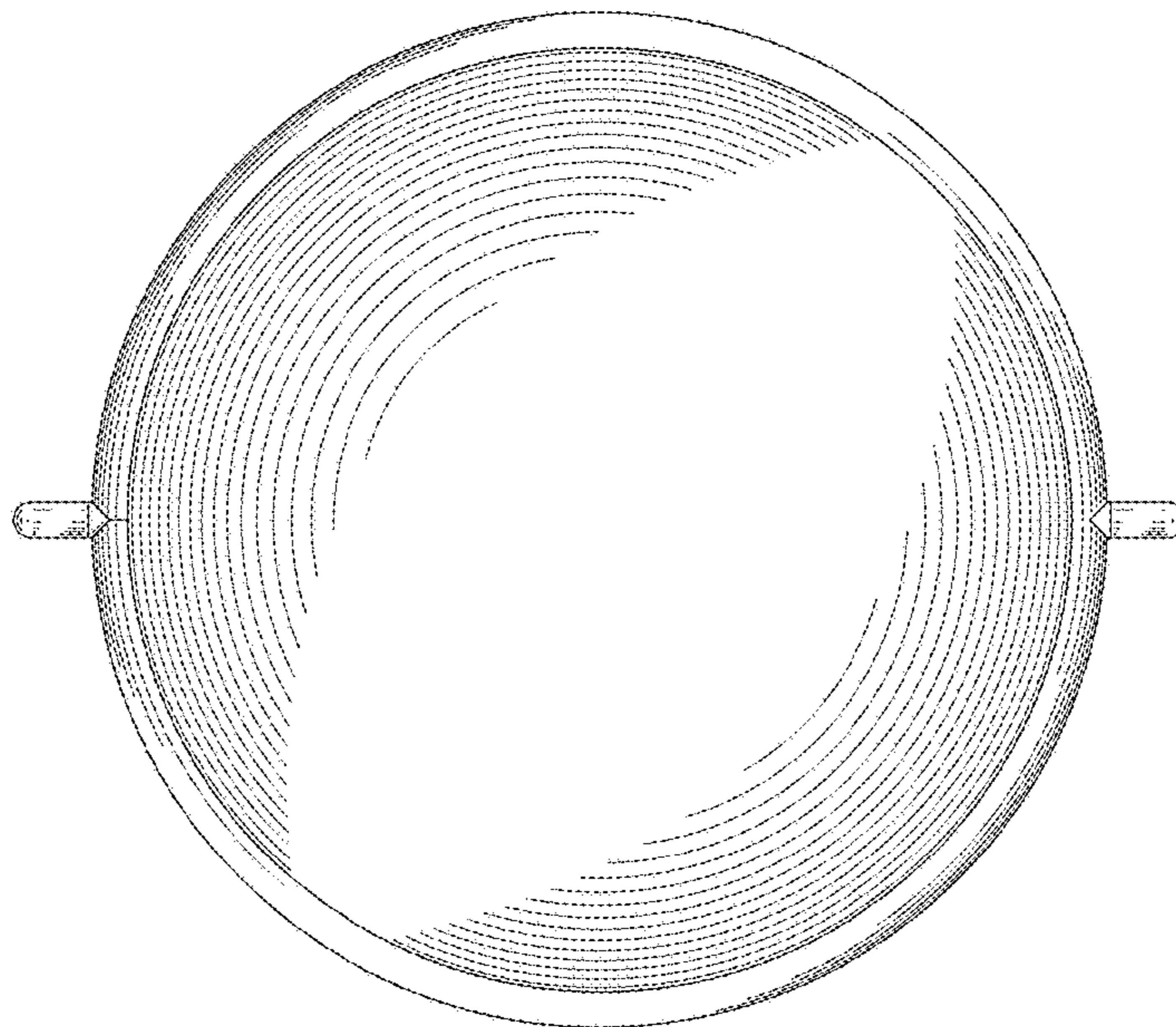


FIG. 7