



US00D843874S

(12) **United States Design Patent**  
**Yamada**

(10) **Patent No.:** **US D843,874 S**  
(45) **Date of Patent:** **\*\* Mar. 26, 2019**

- (54) **RING**
- (71) Applicant: **TASAKI & Co., Ltd.**, Kobe (JP)
- (72) Inventor: **Yoshikazu Yamada**, Tokyo (JP)
- (73) Assignee: **TASAKI & Co., Ltd.**, Kobe (JP)
- (\*\*) Term: **15 Years**
- (21) Appl. No.: **29/638,258**
- (22) Filed: **Feb. 26, 2018**
- (30) **Foreign Application Priority Data**

Aug. 31, 2017 (JP) ..... 2017-018875

- (51) **LOC (11) Cl.** ..... **11-01**
- (52) **U.S. Cl.**  
USPC ..... **D11/26**
- (58) **Field of Classification Search**  
USPC ..... D11/3, 4, 16, 17, 20, 22, 26-38  
CPC .... A44C 5/00; A44C 9/00; A44C 9/02; A44C  
17/02  
See application file for complete search history.

(56) **References Cited**

**U.S. PATENT DOCUMENTS**

- 1,601,560 A \* 9/1926 Codman ..... B26B 27/007  
30/232
- 2,084,343 A \* 6/1937 Jefferis ..... A24F 13/22  
131/258
- D228,758 S \* 10/1973 Petrosky ..... 463/47.4
- 4,142,382 A \* 3/1979 Fix ..... A44C 9/0038  
63/15.65
- D259,188 S \* 5/1981 Barr ..... D11/27
- 4,362,031 A \* 12/1982 Obermuller ..... A44C 13/00  
63/10
- D305,214 S \* 12/1989 Campbell ..... D11/26
- D354,697 S \* 1/1995 Andrau ..... D11/28
- D537,008 S \* 2/2007 Novoa ..... D11/26
- D569,295 S \* 5/2008 Doughty ..... D11/31

- D592,092 S \* 5/2009 Flynn ..... D11/26
- D686,103 S \* 7/2013 Mitsui ..... D11/26
- D807,223 S \* 1/2018 Noguchi ..... D11/79

**OTHER PUBLICATIONS**

Moulin double finger Ring (available online) Retrieved from the internet Oct. 24, 2018 from URL: [https://www.tasaki.co.jp/resource/jewellery/atelier/surrealism/img/RPI-4725-18KSG\\_11.jpg](https://www.tasaki.co.jp/resource/jewellery/atelier/surrealism/img/RPI-4725-18KSG_11.jpg).\*  
 Diamond Akoya pearl 18k yellow gold ring (available online) Retrieved from the internet Oct. 24, 2018 from URL: [https://www.lanecrawford.com/product/tasaki/-a-fine-balance-diamond-akoya-pearl-18k-yellow-gold-ring/\\_/ALA754/product.lc](https://www.lanecrawford.com/product/tasaki/-a-fine-balance-diamond-akoya-pearl-18k-yellow-gold-ring/_/ALA754/product.lc).\*  
 14K Double Finger Extra Long Bar Ring (available online) Retrieved from the internet Oct. 25, 2018 from URL: <https://zoechicco.com/collections/bars-curves-1?page=2>.\*

\* cited by examiner

*Primary Examiner* — Kevin K Rudzinski  
*Assistant Examiner* — Richard Kearney  
 (74) *Attorney, Agent, or Firm* — Fitch, Even, Tabin & Flannery LLP

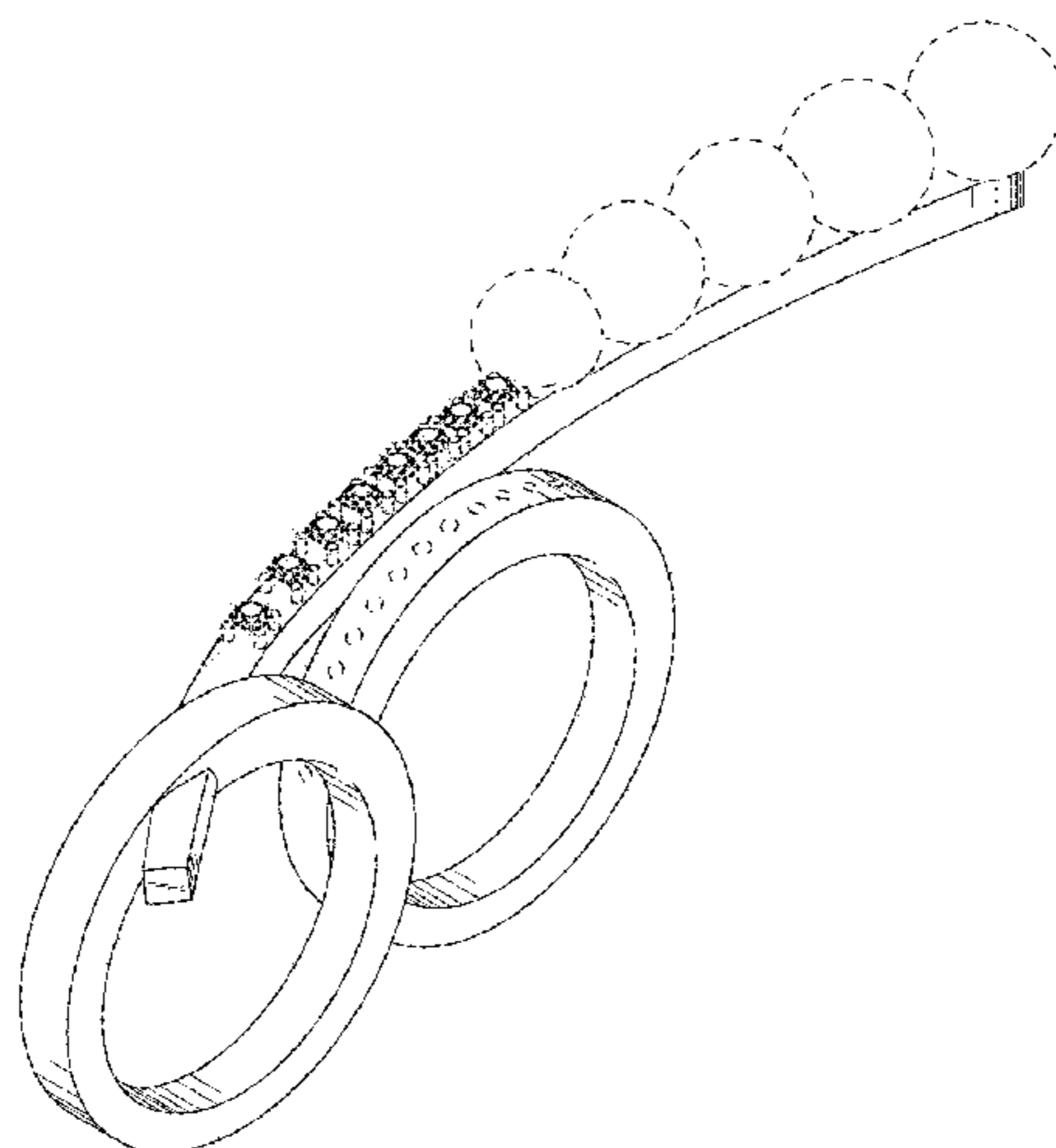
(57) **CLAIM**

I claim the ornamental design for a ring, as shown and described.

**DESCRIPTION**

FIG. 1 is a front, top, and left side perspective view of a ring showing my new design;  
 FIG. 2 is a rear, bottom, and right side perspective view thereof;  
 FIG. 3 is a front elevational view thereof;  
 FIG. 4 is a rear elevational view thereof;  
 FIG. 5 is a top plan view thereof;  
 FIG. 6 is a bottom plan view thereof;  
 FIG. 7 is a right side elevational view thereof; and,  
 FIG. 8 is a left side elevational view thereof.  
 The broken lines shown in the drawings illustrate portion of the ring that form no part of the claimed design.

**1 Claim, 8 Drawing Sheets**



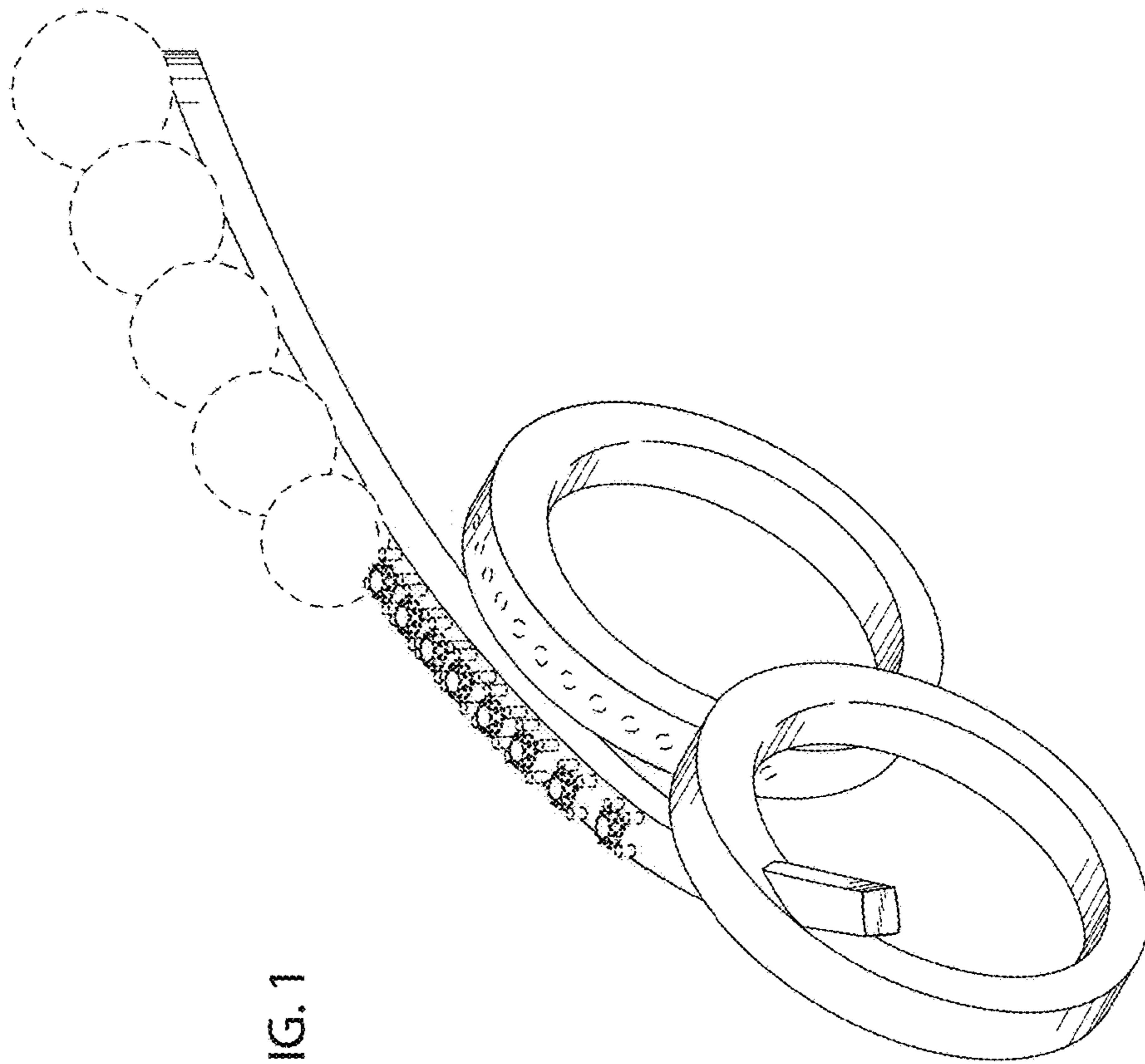


FIG. 1

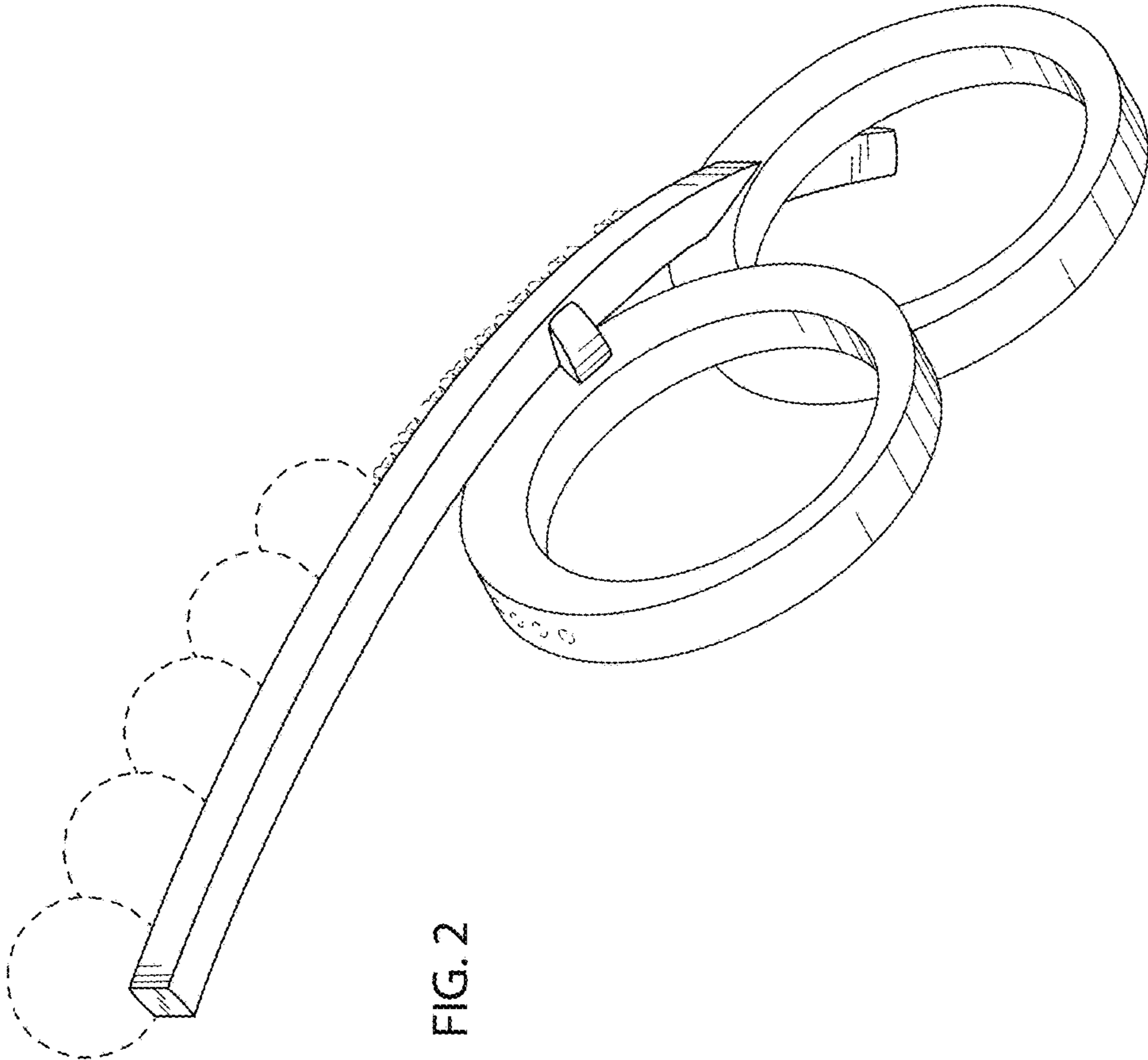


FIG. 2

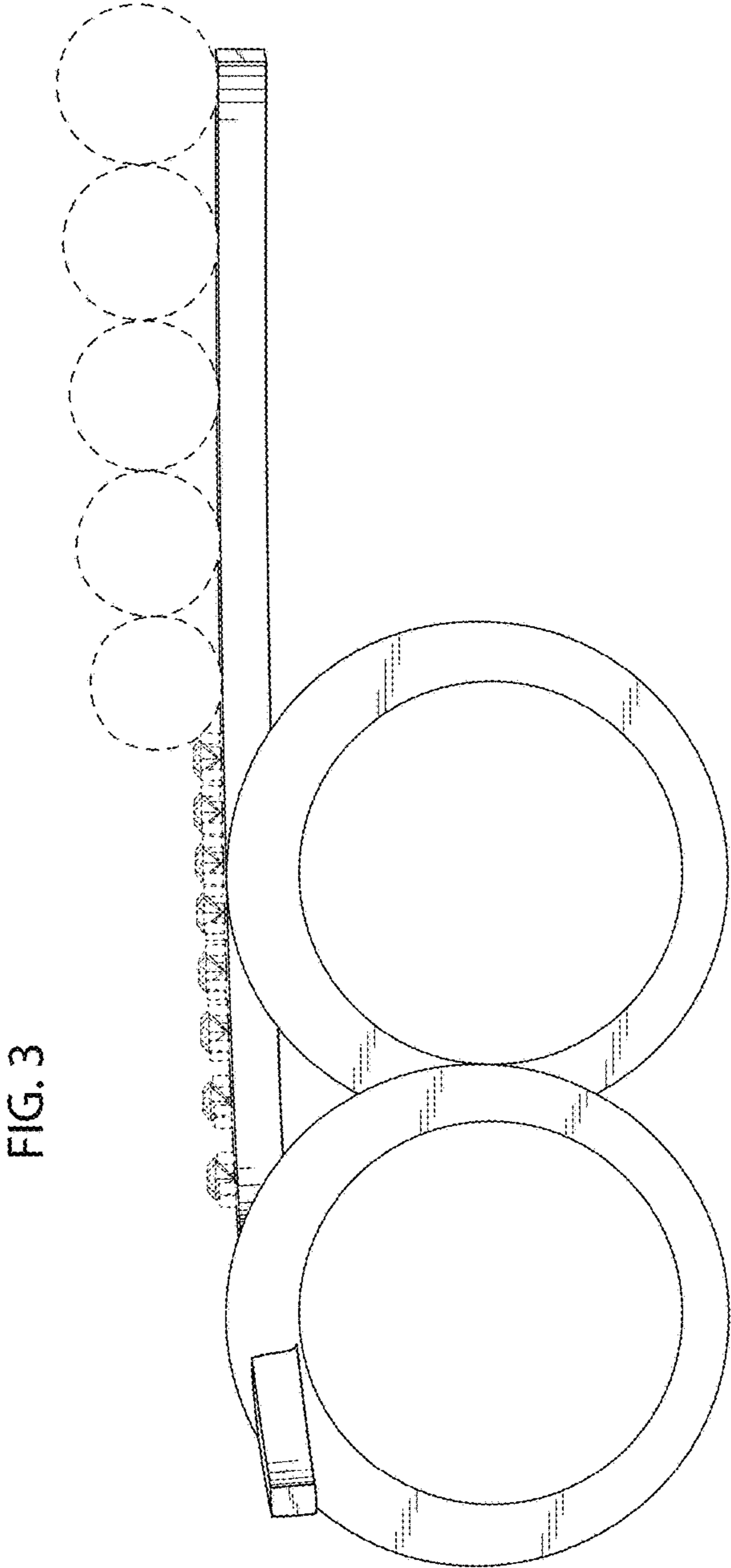


FIG. 4

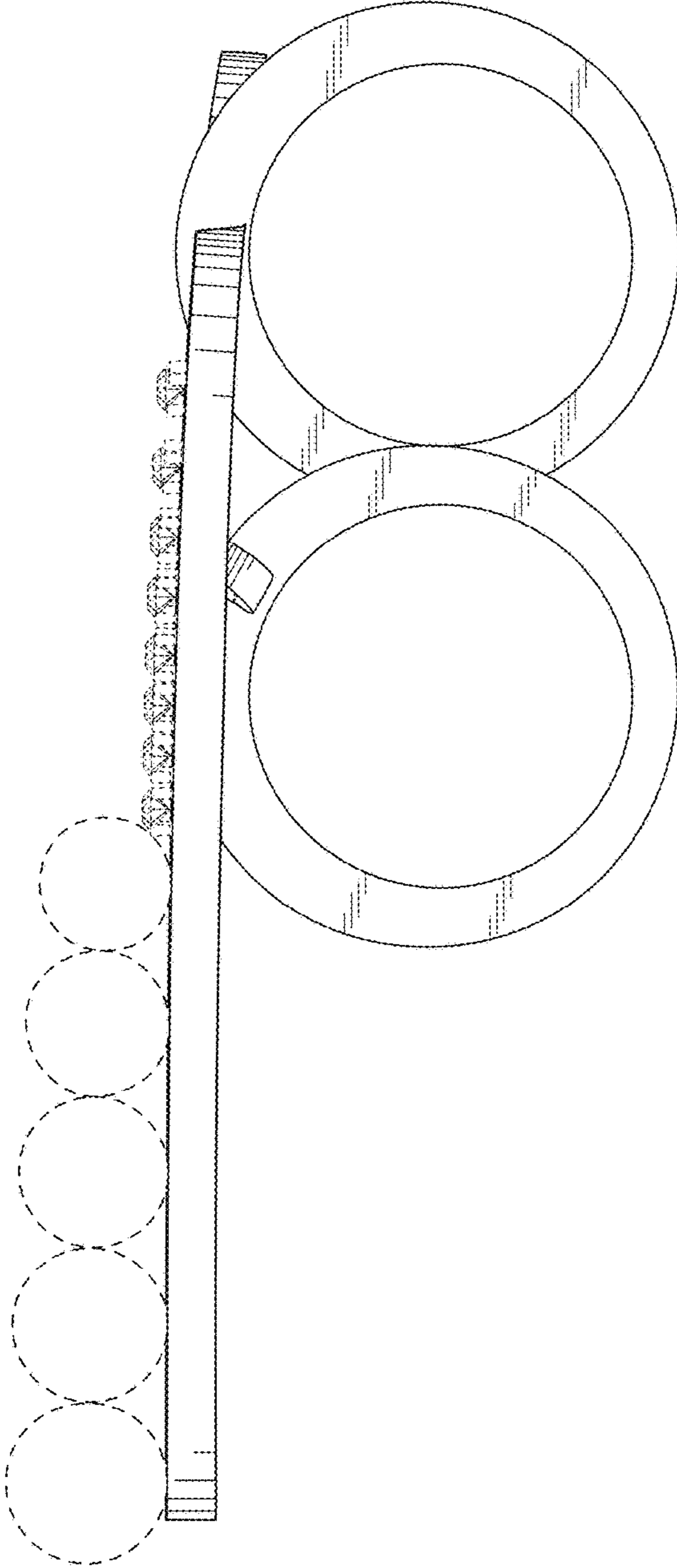


FIG. 5

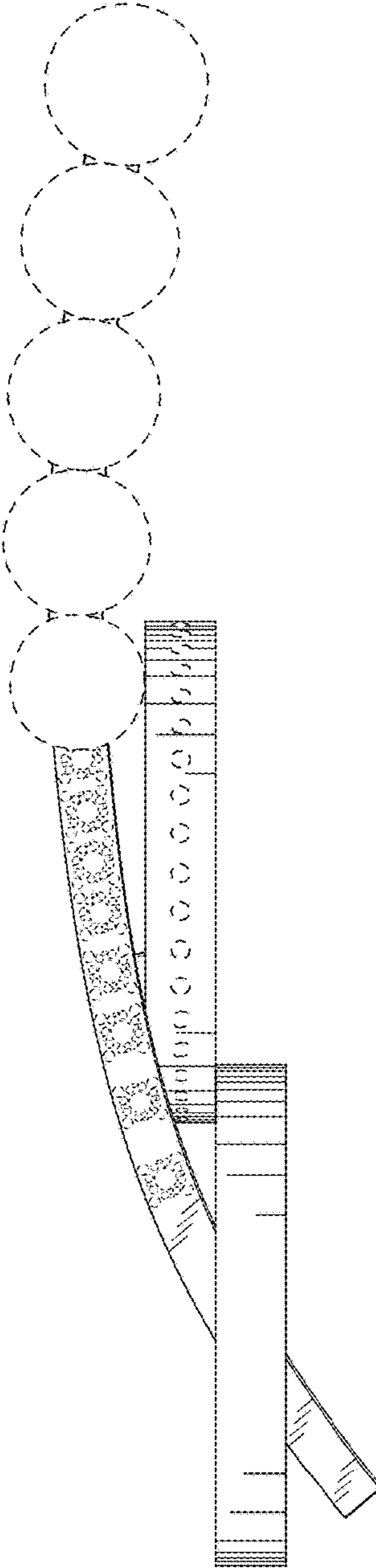


FIG. 6

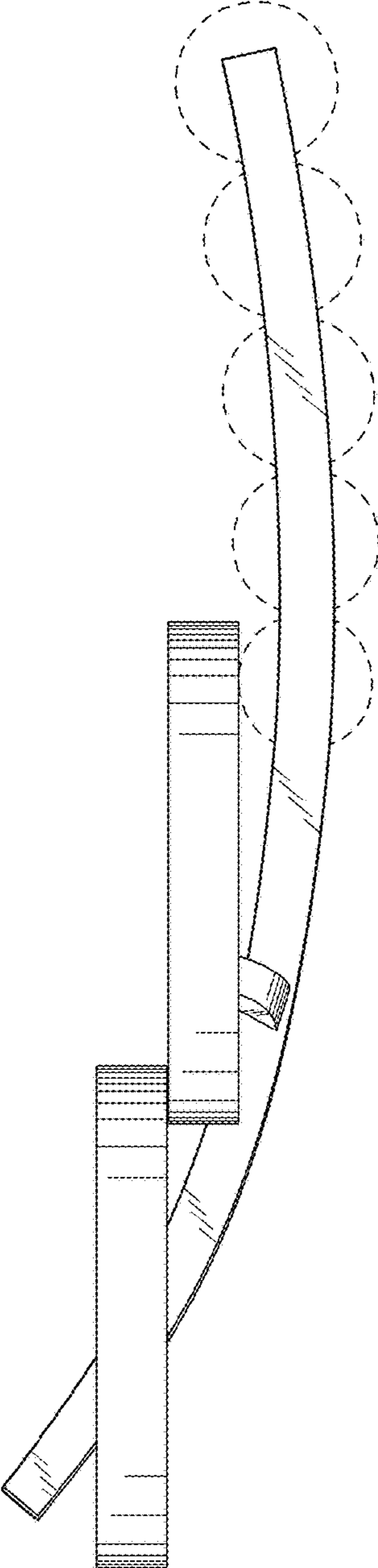




FIG. 7

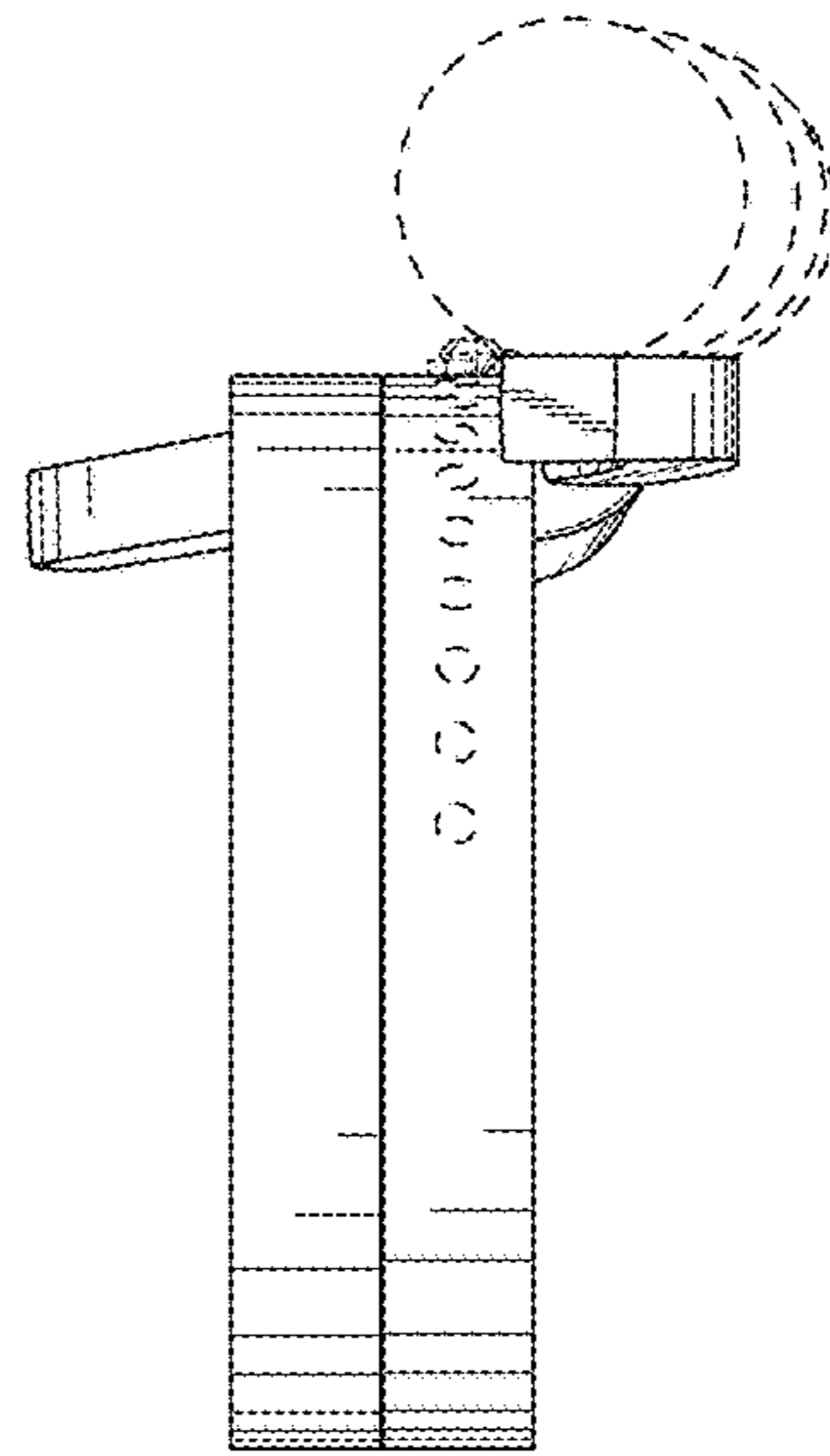




FIG. 8

