



US00D843873S

(12) **United States Design Patent**  
**Hardy**

(10) **Patent No.:** **US D843,873 S**

(45) **Date of Patent:** **\*\* Mar. 26, 2019**

(54) **RING**

(71) Applicant: **CARTIER INTERNATIONAL AG,**  
Steinhausen (CH)

(72) Inventor: **Theodora Hardy,** Conflans Sainte  
Honorine (FR)

(73) Assignee: **CARTIER INTERNATIONAL AG,**  
Steinhausen (CH)

(\*\*) Term: **15 Years**

(21) Appl. No.: **29/633,272**

(22) Filed: **Jan. 12, 2018**

(51) **LOC (11) Cl.** ..... **11-01**

(52) **U.S. Cl.**  
USPC ..... **D11/26**

(58) **Field of Classification Search**  
USPC ..... D11/1-39, 91, 92  
CPC ..... A44C 9/00; A44C 9/0007; A44C 9/0015;  
A44C 9/0023; A44C 9/003; A44C  
9/0046; A44C 9/0053; A44C 9/0061;  
A44C 9/0069; A44C 9/0076; A44C  
9/0084; A44C 9/0092; A44C 9/02; A44C  
5/00; A44C 5/0007; A44C 5/0015; A44C  
5/003; A44C 5/0046; A44C 5/0053; A44C  
5/0084; A44C 15/00

See application file for complete search history.

(56) **References Cited**

**U.S. PATENT DOCUMENTS**

D110,293 S \* 6/1938 Philippe ..... D11/67  
D151,140 S \* 9/1948 Katz ..... D11/67

D176,266 S \* 12/1955 Katz ..... D11/34  
D193,799 S \* 10/1962 Bourne ..... D11/2  
D248,286 S \* 6/1978 Barr ..... D11/33  
D270,045 S \* 8/1983 Chaumont ..... D11/36  
D780,027 S \* 2/2017 Stern ..... D11/34  
D809,418 S \* 2/2018 Hardy ..... D11/35  
2007/0119211 A1\* 5/2007 Nguyen ..... A44C 9/02  
63/15.9  
2013/0263627 A1\* 10/2013 Bissierier ..... A44C 9/00  
63/15  
2015/0320154 A1\* 11/2015 Nevatia ..... A44C 17/0208  
63/15

\* cited by examiner

*Primary Examiner* — Melanie Pellegrini

(74) *Attorney, Agent, or Firm* — Oliff PLC

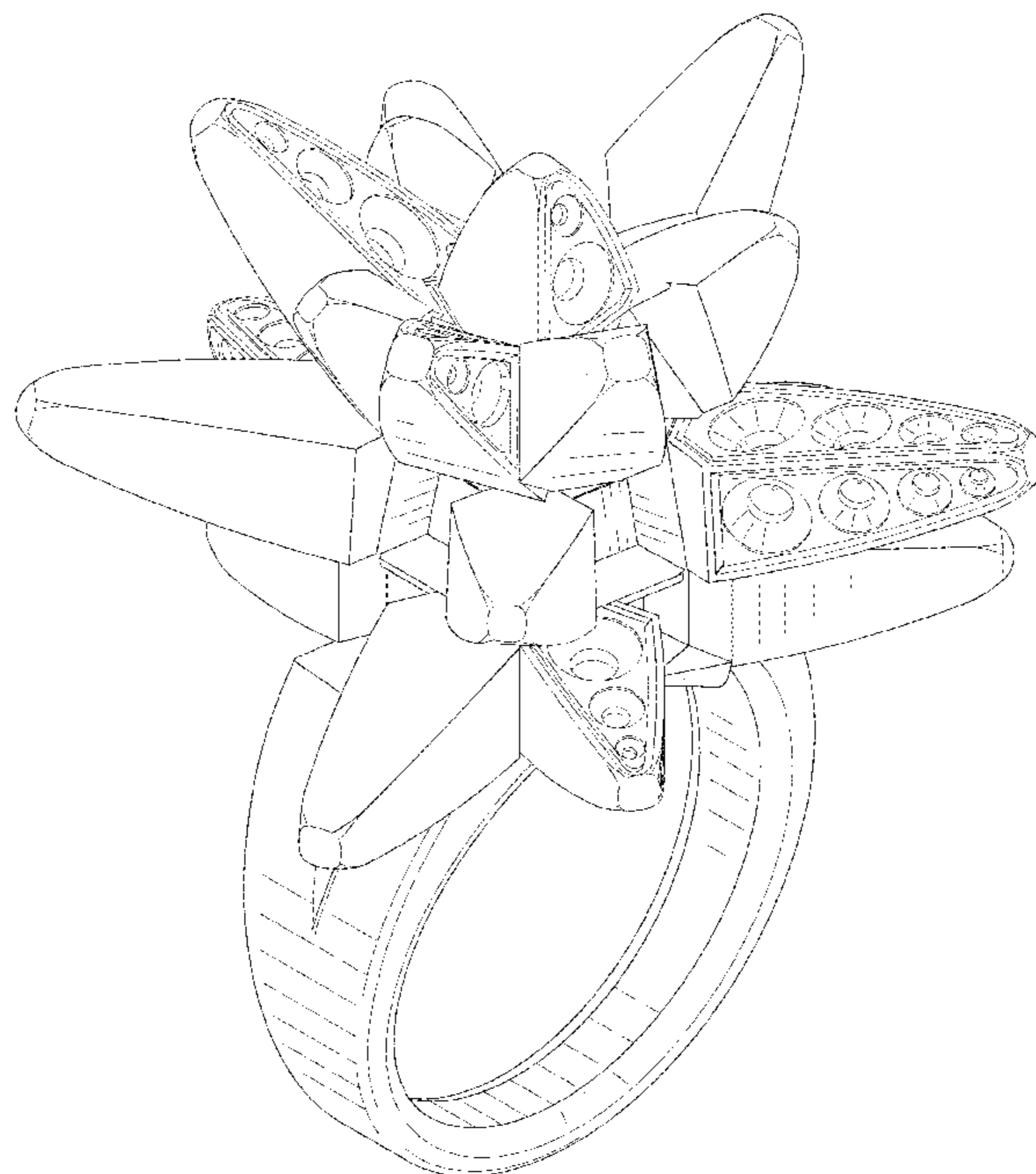
(57) **CLAIM**

The ornamental design for a ring, as shown and described.

**DESCRIPTION**

FIG. 1 is a front, right-side, top perspective view of the ring;  
FIG. 2 is a front elevational view thereof;  
FIG. 3 is a top plan view thereof;  
FIG. 4 is a left-side elevational view thereof;  
FIG. 5 is a right-side elevational view thereof;  
FIG. 6 is a rear elevational view thereof;  
FIG. 7 is a bottom plan view thereof; and,  
FIG. 8 is a rear, right-side, bottom perspective view thereof.  
The broken lines depict unclaimed parts of the ring, and thus  
form no part of the claimed design.

**1 Claim, 8 Drawing Sheets**



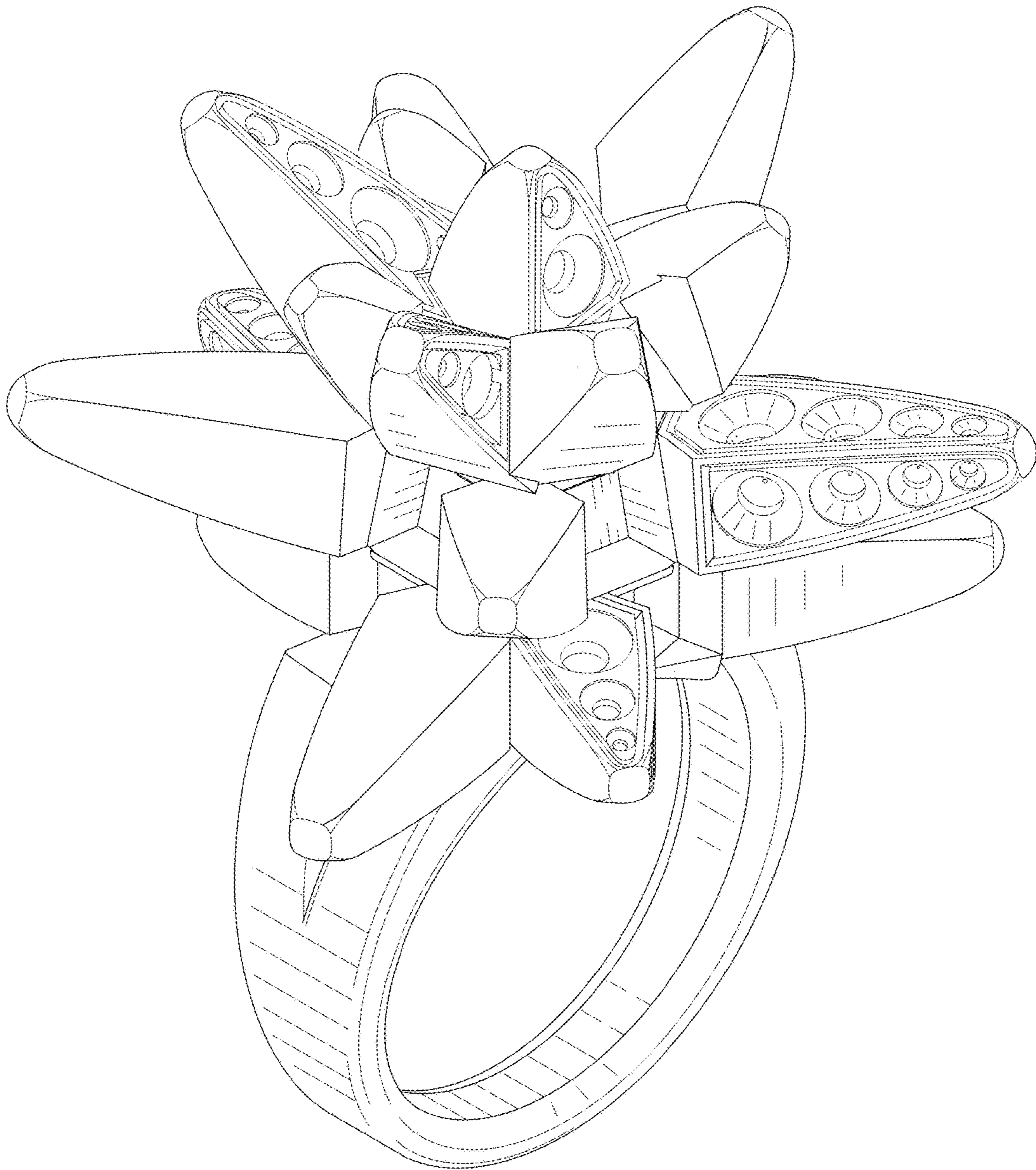


FIG. 1

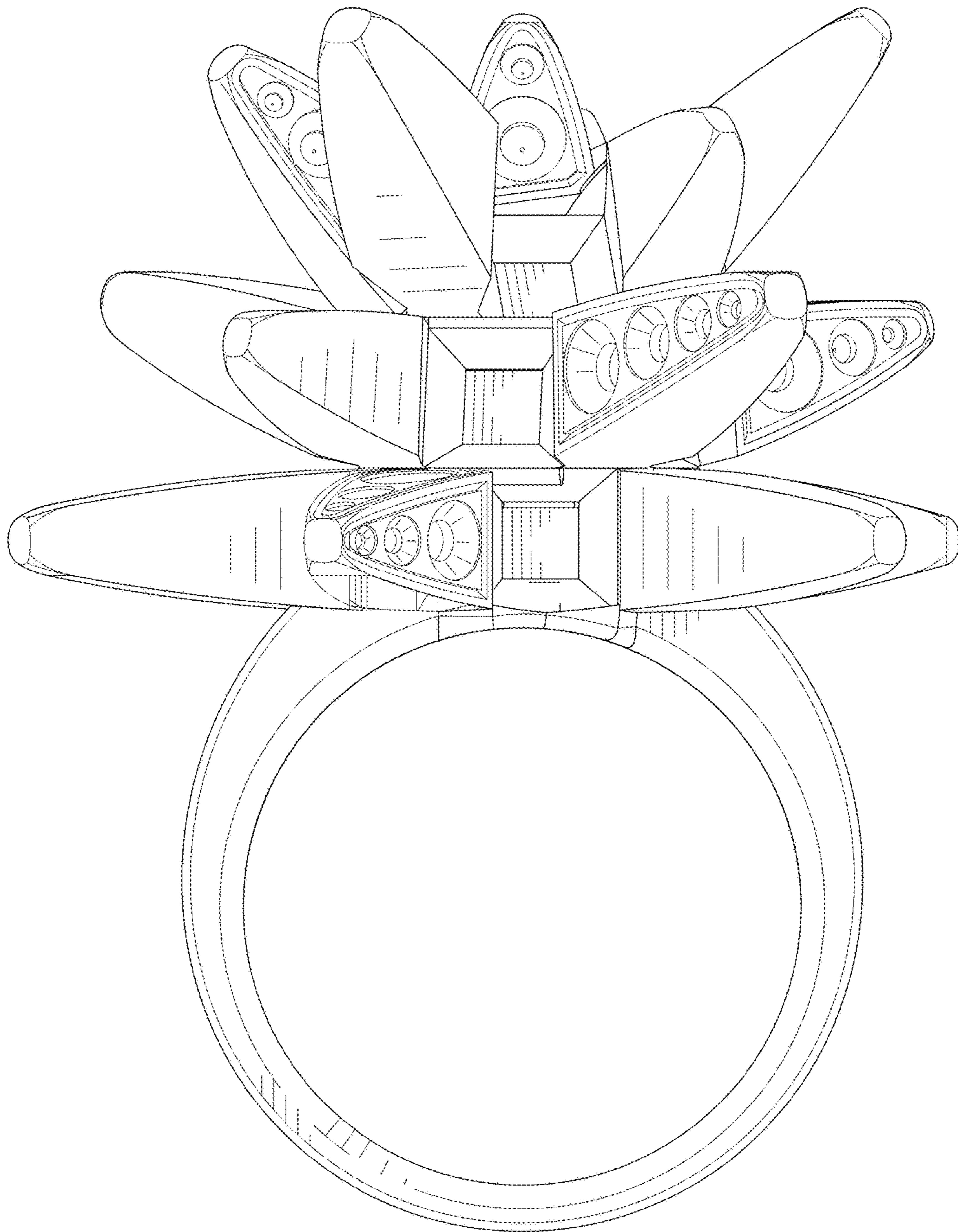


FIG. 2

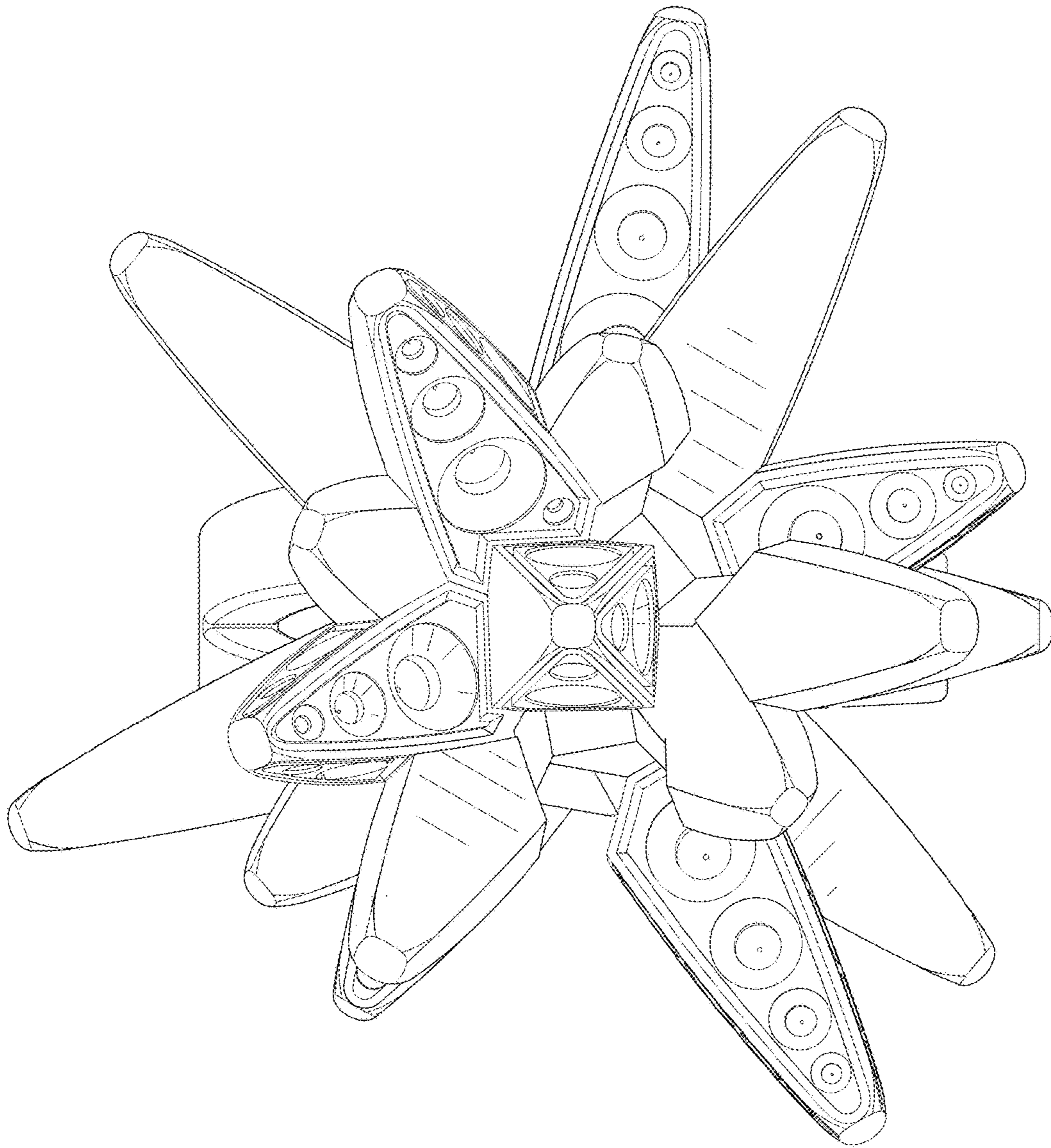


FIG. 3

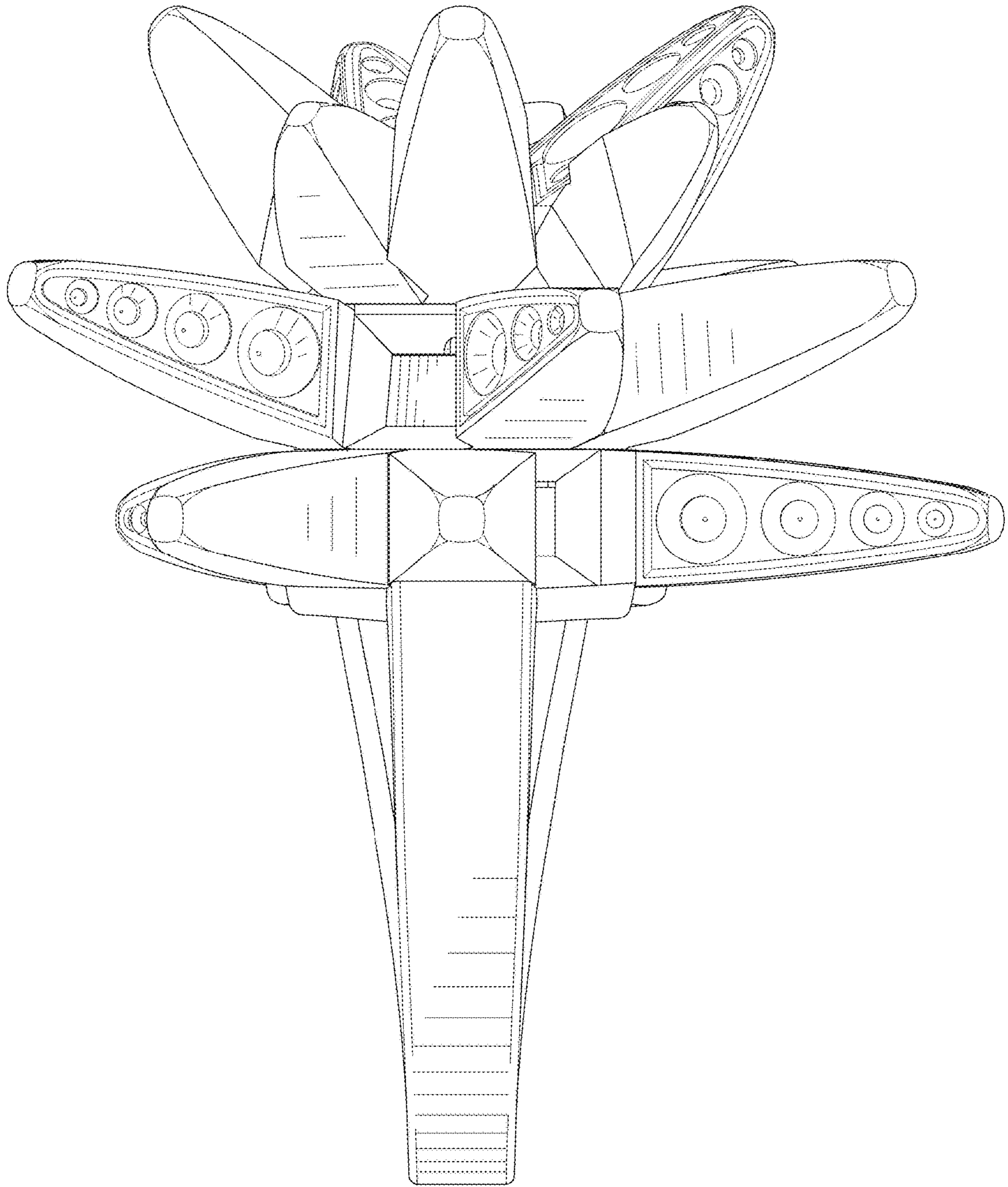


FIG. 4

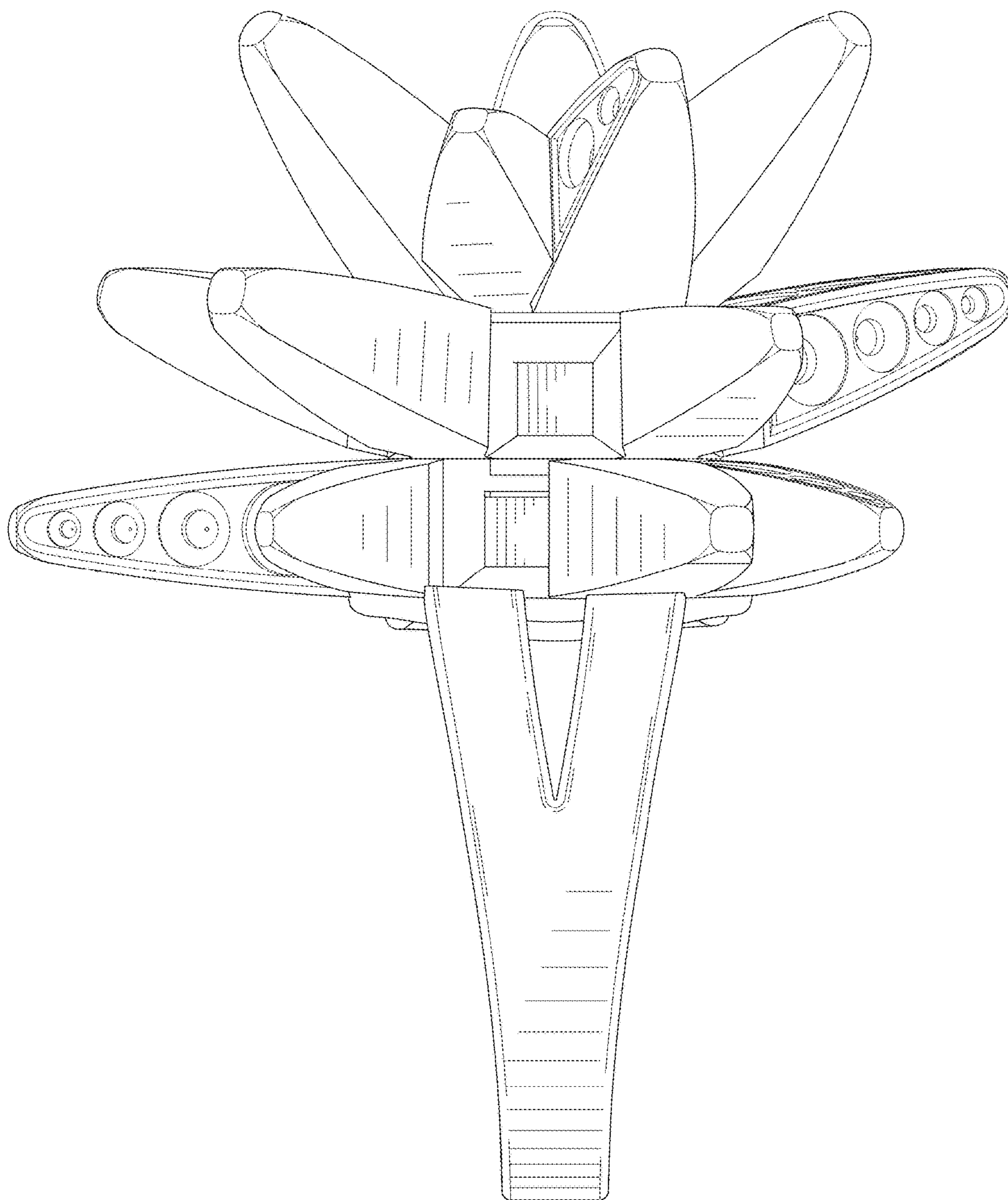


FIG. 5

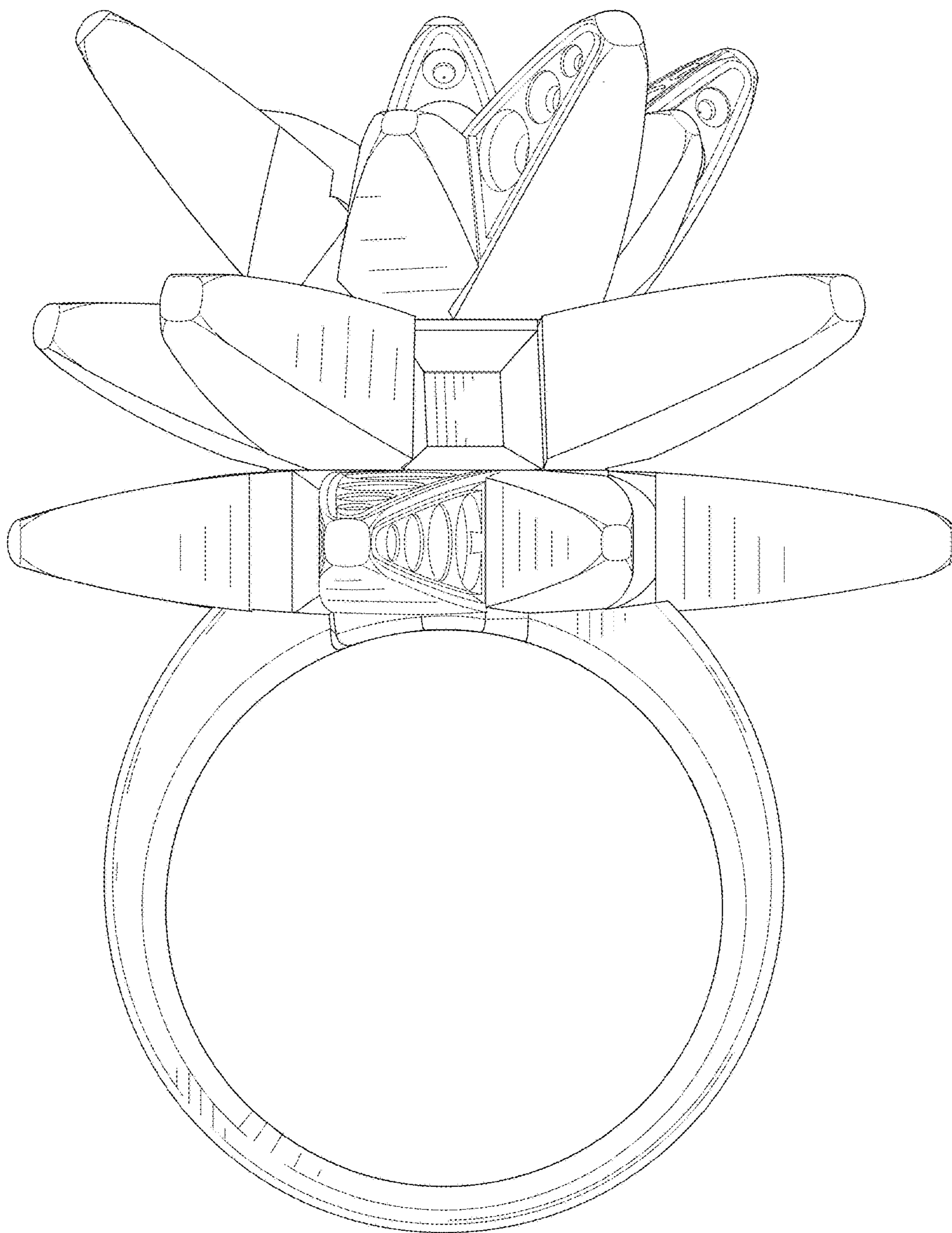


FIG. 6

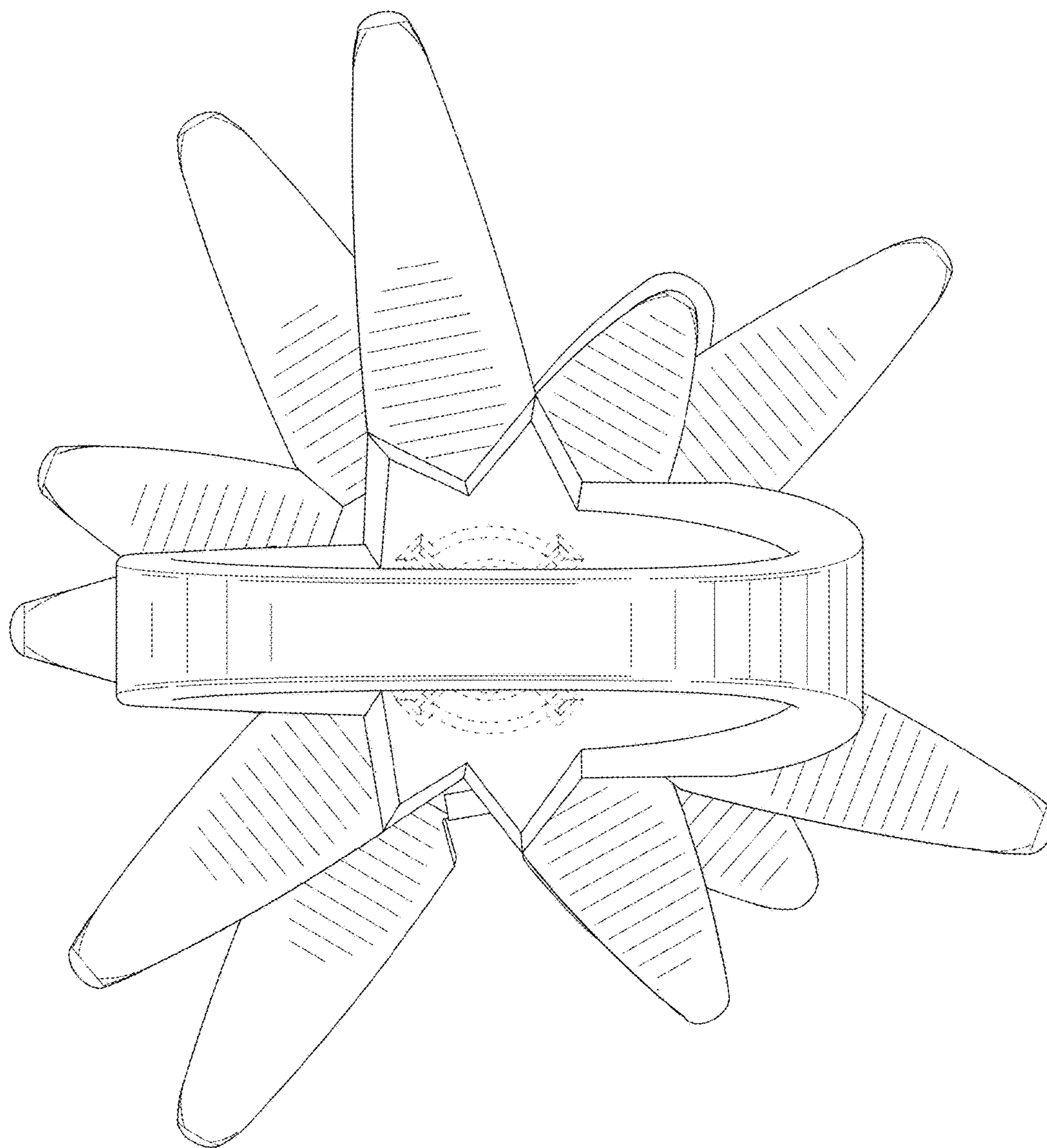


FIG. 7



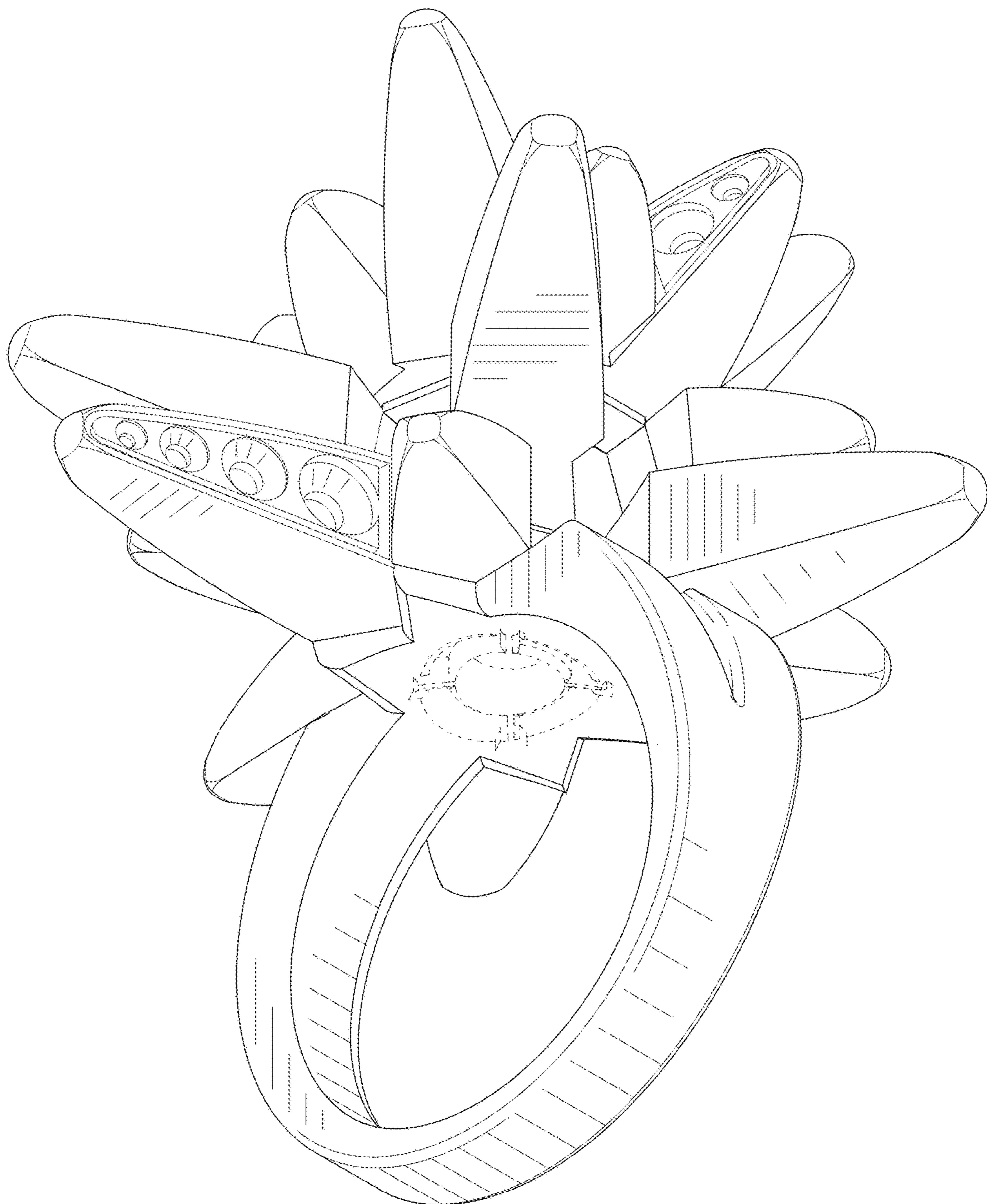


FIG. 8