



US00D843870S

(12) **United States Design Patent**
Williams

(10) **Patent No.:** **US D843,870 S**
(45) **Date of Patent:** **** Mar. 26, 2019**

(54) **GAME CALL**
(71) Applicant: **Keith Williams**, El Dorado, AR (US)
(72) Inventor: **Keith Williams**, El Dorado, AR (US)
(**) Term: **15 Years**
(21) Appl. No.: **29/632,534**
(22) Filed: **Jan. 8, 2018**
(51) **LOC (11) Cl.** **10-05**
(52) **U.S. Cl.**
USPC **D10/119.1**
(58) **Field of Classification Search**
USPC D10/119.1, 119.2, 119.3; D22/199;
446/202, 203, 204, 205, 206, 207, 208,
446/209, 416; D3/20, 200, 201, 203.2,
D3/203.3, 318, 319, 901, 903, 905;
D9/721, 734, 736, 737, 751, 757, 759,
D9/414, 428, 439
CPC A63H 5/00; A01M 31/00; A01M 31/004;
G10D 9/00
See application file for complete search history.

5,607,091 A * 3/1997 Musacchia A01M 31/004
108/43
5,988,469 A * 11/1999 Musacchia A01M 31/004
108/43
6,071,172 A * 6/2000 Pate A01M 31/004
446/397
6,599,167 B2 * 7/2003 Waltz A01M 31/004
43/1
6,676,479 B1 * 1/2004 Zimmerman A01M 31/004
446/397
D489,017 S * 4/2004 Atkinson D10/119.1
D510,566 S * 10/2005 Johanneck D13/171
D585,060 S * 1/2009 Han D14/358

(Continued)

OTHER PUBLICATIONS

Available Oct. 5, 2018, [online], [site visited Nov. 29, 2018].
Available from Internet, <URL:https://www.uncommongoods.com/
blog/2018/inside-the-artists-studio-with-luke-hobbs/> (Year: 2018).*

(Continued)

Primary Examiner — Cathron C Brooks
Assistant Examiner — Katrina N Gonzalez
(74) *Attorney, Agent, or Firm* — AdamsIP, LLC; Gary N.
Stewart; J. Hunter Adams

(56) **References Cited**

U.S. PATENT DOCUMENTS

2,338,816 A * 1/1944 Lockhart G10D 13/029
108/43
2,629,968 A * 2/1953 Herter A63H 5/00
43/2
4,177,761 A * 12/1979 Bellocchi, Jr. A01K 1/035
119/482
4,494,755 A * 1/1985 Caillouet, Jr. A63F 13/02
108/25
4,648,852 A * 3/1987 Wingate A01M 31/004
446/397
4,988,325 A * 1/1991 Alderson A01M 31/004
446/397
5,178,575 A * 1/1993 Koch A01M 31/004
446/170

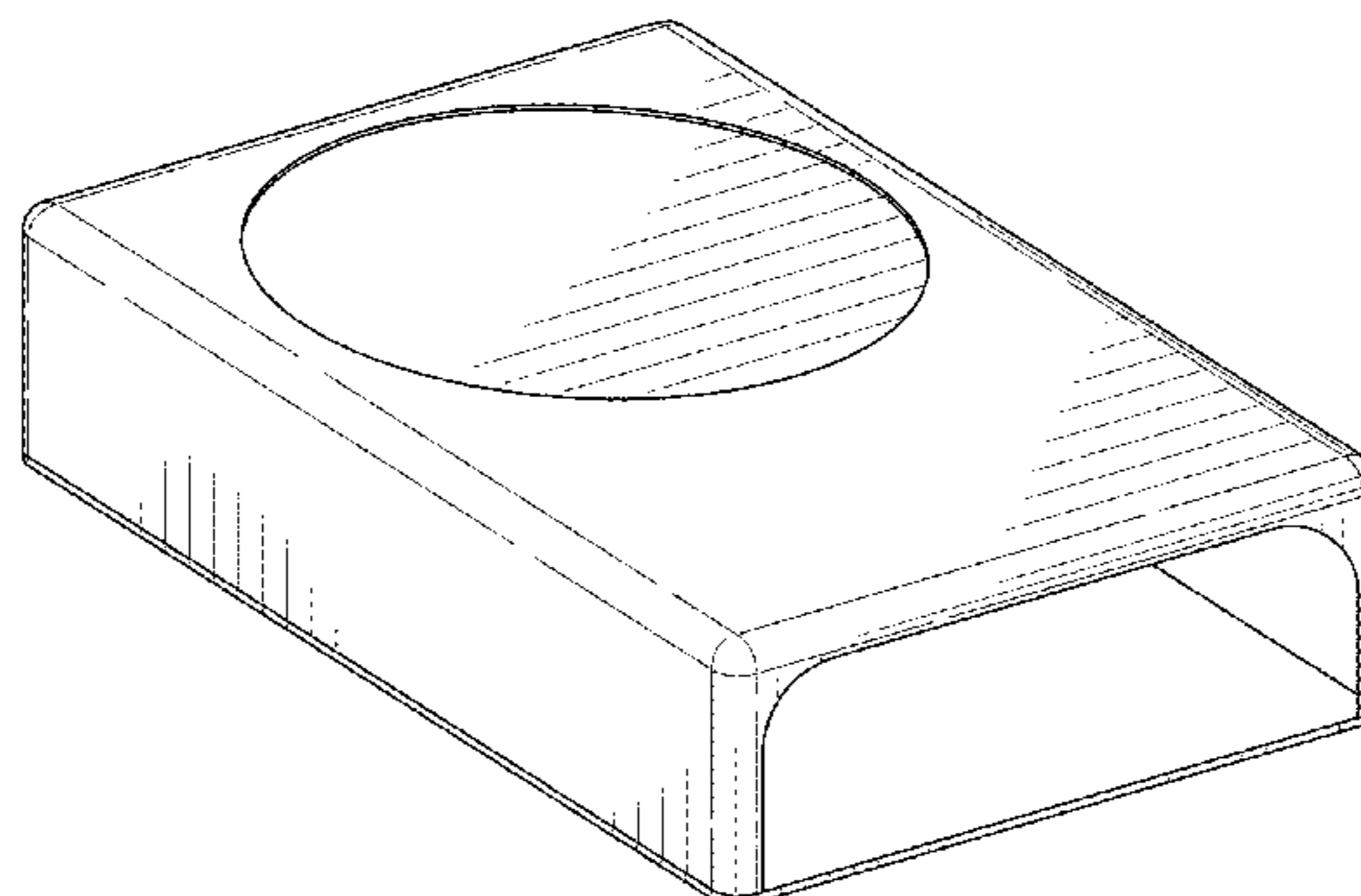
(57) **CLAIM**

The ornamental design for a game call, as shown and described.

DESCRIPTION

FIG. 1 is a front perspective view of a game call incorporating my new design;
FIG. 2 is a front view thereof;
FIG. 3 is a rear view thereof;
FIG. 4 is a top view thereof;
FIG. 5 is a bottom view thereof;
FIG. 6 is a left side view thereof; and,
FIG. 7 is a right side view thereof.

1 Claim, 3 Drawing Sheets



(56)

References Cited

U.S. PATENT DOCUMENTS

D674,308 S * 1/2013 Schuh D10/119.1
D678,760 S * 3/2013 Cooper D9/418
D684,957 S * 6/2013 Smith D14/242
8,944,879 B1 * 2/2015 Williams A01M 31/004
446/397
D792,192 S * 7/2017 Huang D8/331
D798,296 S * 9/2017 Ali D14/358
D827,594 S * 9/2018 Shim D13/184

OTHER PUBLICATIONS

Available Nov. 29, 2018, [online], [site visited Nov. 29, 2018].
Available from Internet, <URL:https://www.avon.com/product/avon-pro-nail-dryer-58947> (Year: 2018).*

Available Nov. 29, 2018, [online], [site visited Nov. 29, 2018].
Available from Internet, <URL:http://nails24h.com/product/salon-sundry-professional-36-watt-uv-beauty-salon-nail-dryer-pink/> (Year: 2018).*

Available Nov. 29, 2018, [online], [site visited Nov. 29, 2018].
Available from Internet, <URL:http://www.lynchsince1940.com/spring-calls.html> (Year: 2018).*

* cited by examiner

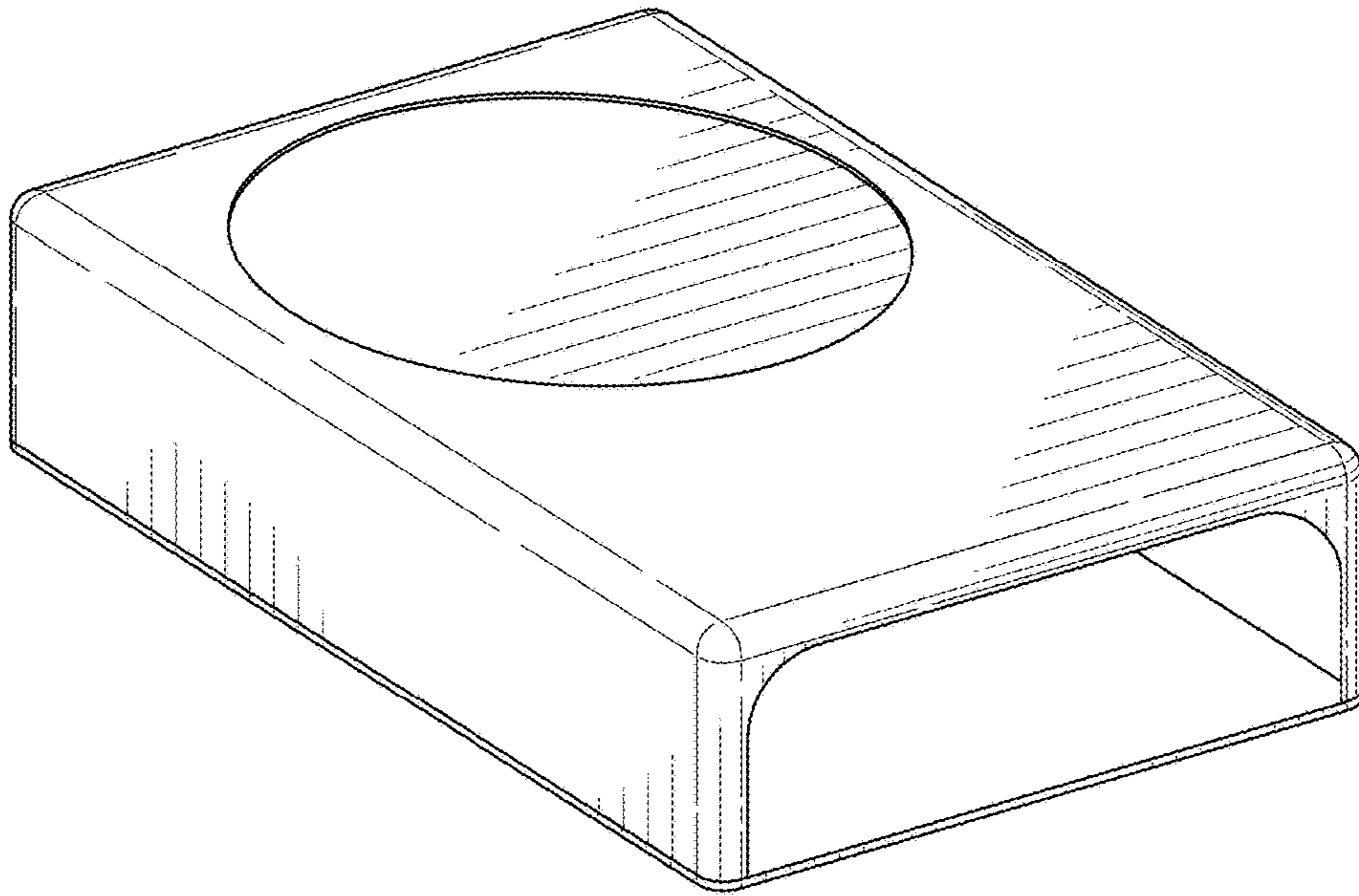


FIG. 1

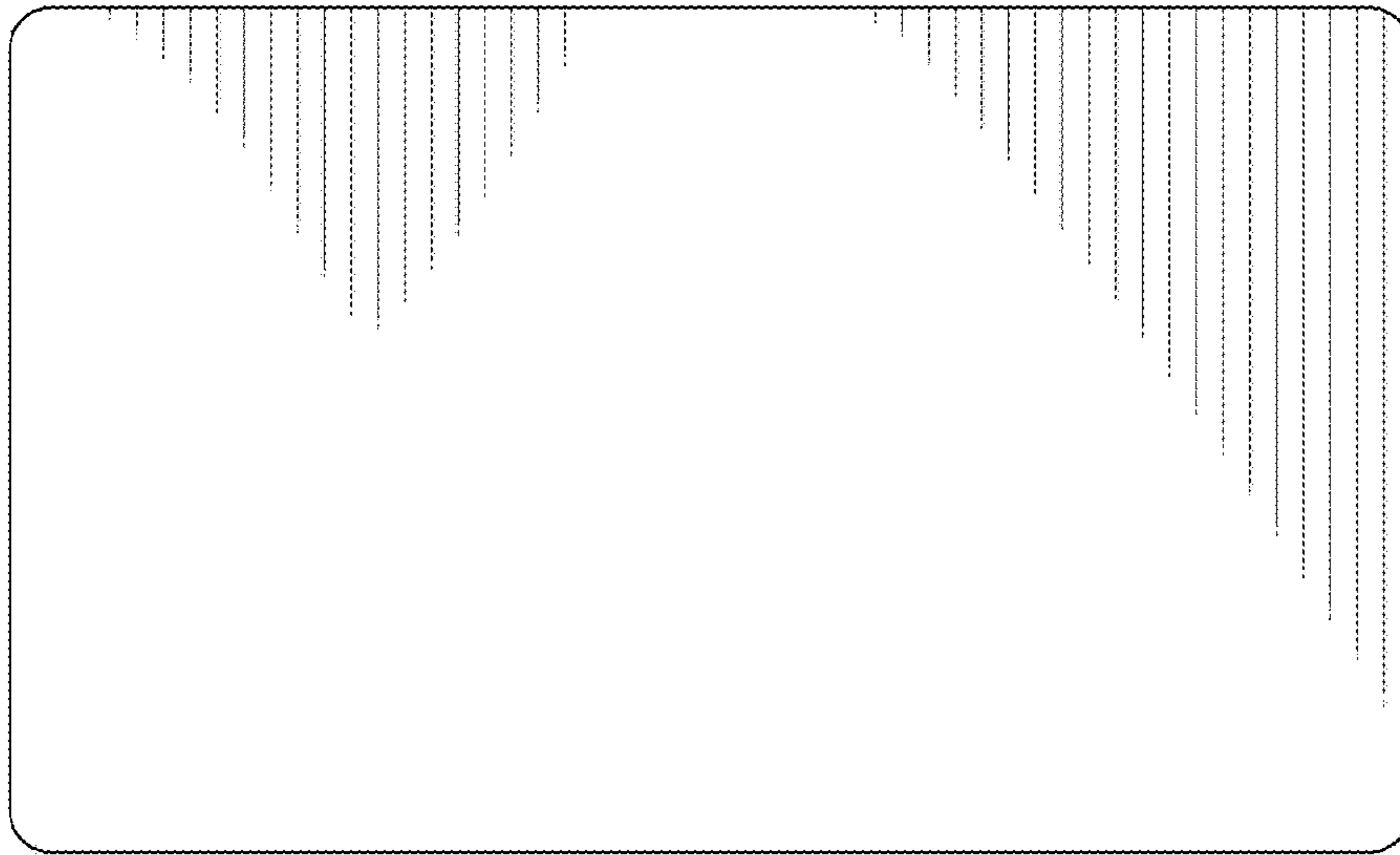


FIG. 3

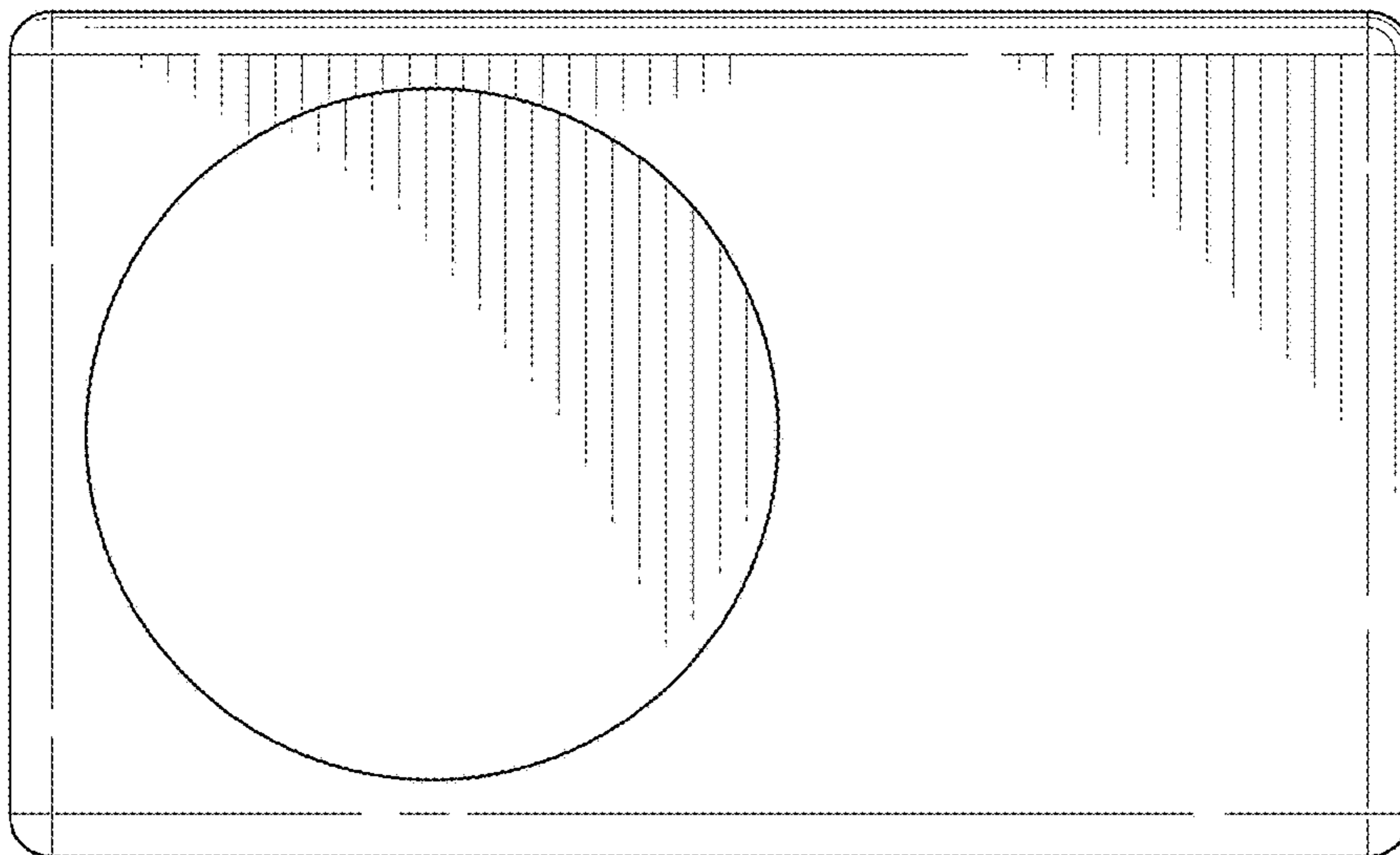


FIG. 2

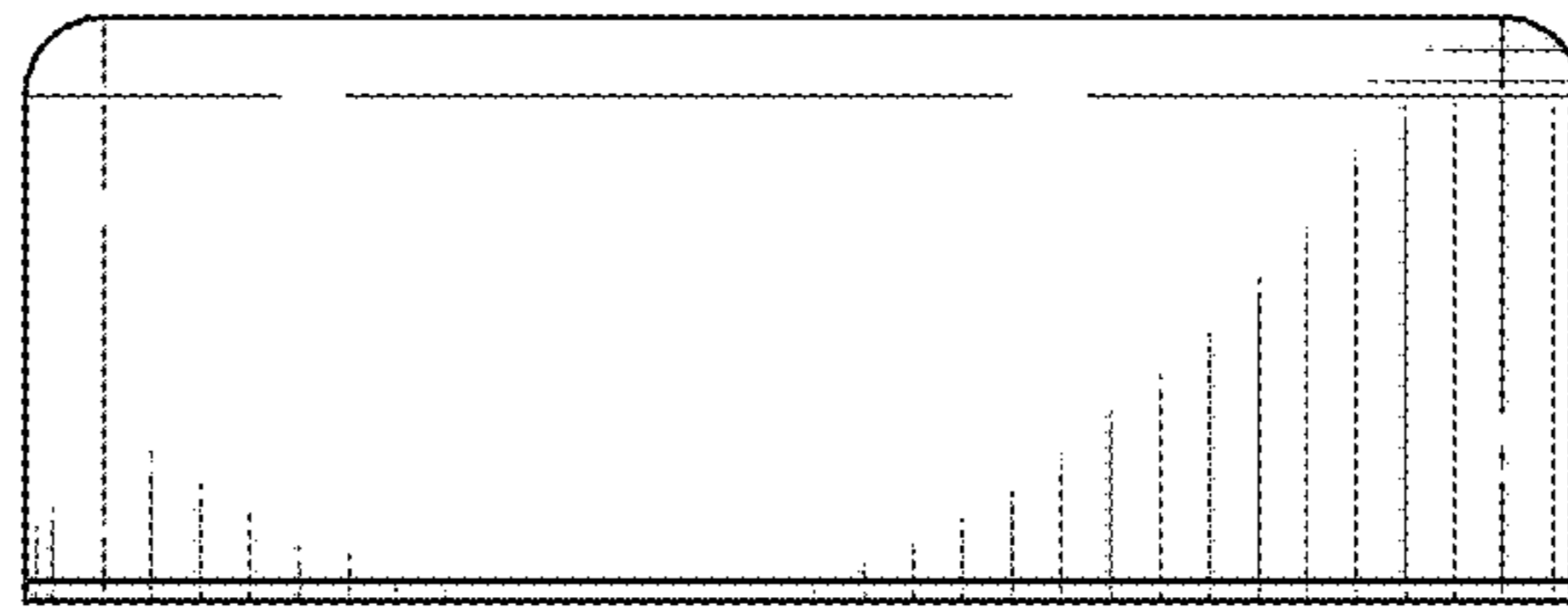


FIG. 4

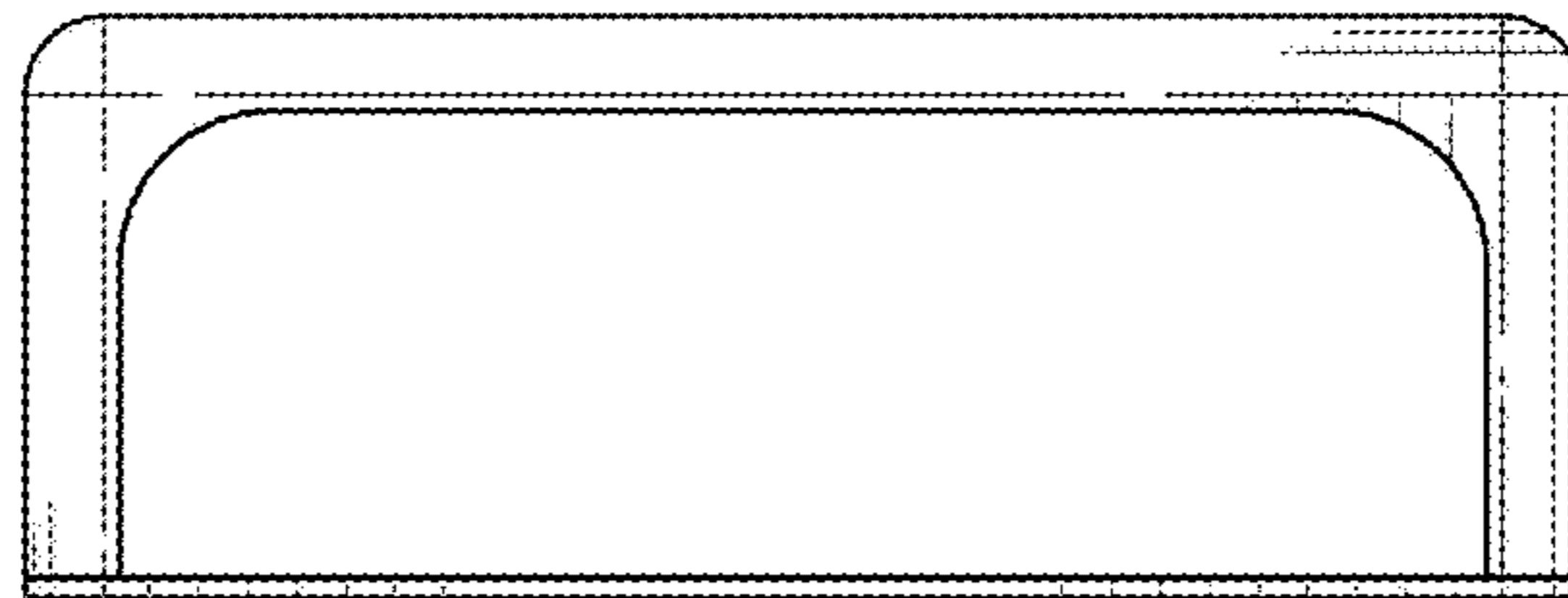


FIG. 5

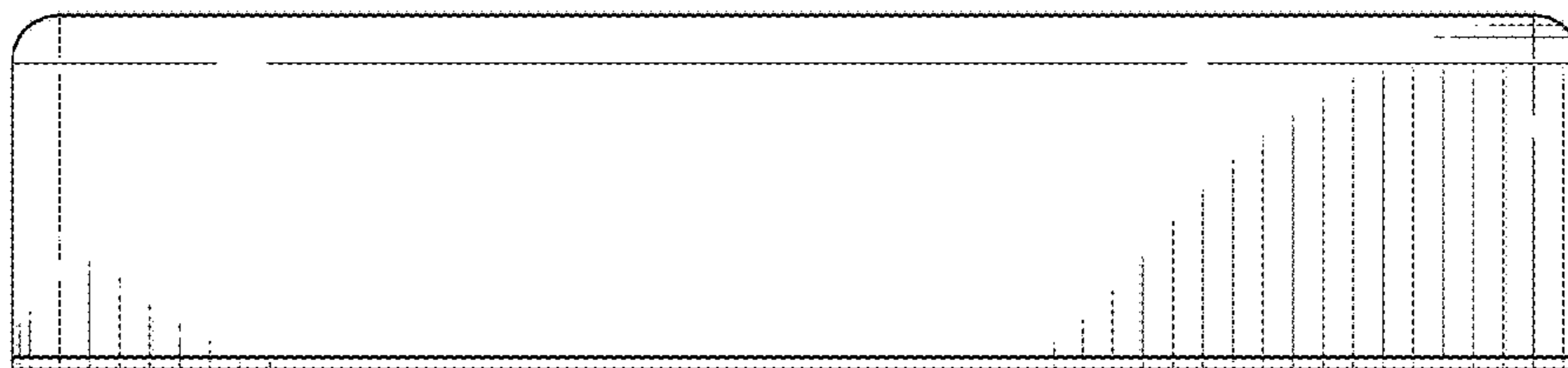


FIG. 6

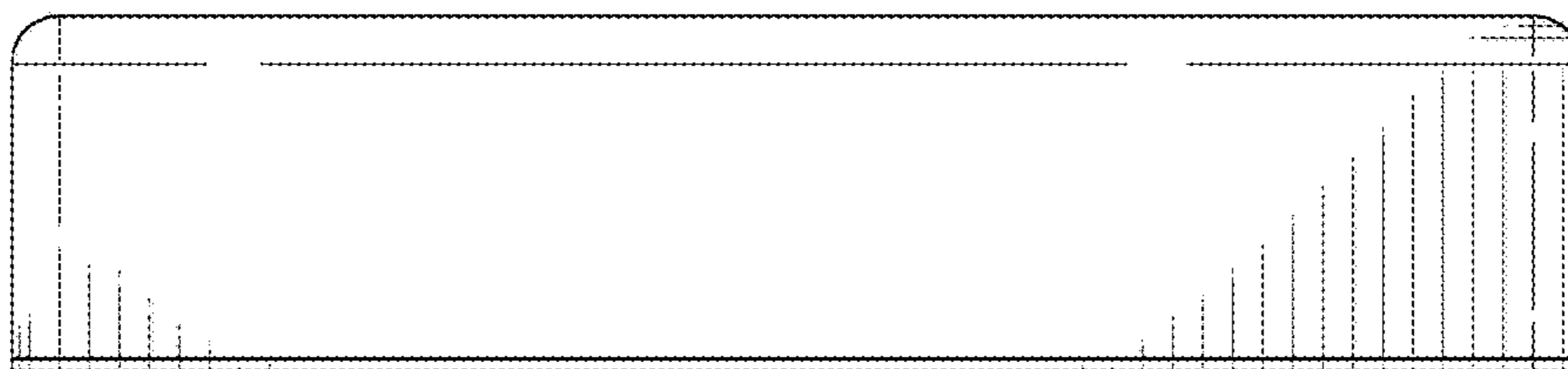


FIG. 7