



US00D843862S

(12) **United States Design Patent**
Bellows et al.

(10) **Patent No.:** **US D843,862 S**

(45) **Date of Patent:** **** Mar. 26, 2019**

(54) **ASSET TRACKING EQUIPMENT HOUSING**

G09F 3/205; G09F 3/206; G09F 3/207;
G09F 3/208; H01Q 1/007; H01Q 1/273;
H01Q 1/42

(71) Applicant: **SYMBOL TECHNOLOGIES, LLC**,
Lincolnshire, IL (US)

See application file for complete search history.

(72) Inventors: **David Bellows**, Wantagh, NY (US);
Sean D. Marvel, Hampton Bays, NY
(US); **Chad Chaumont**, Mount Sinai,
NY (US)

(56) **References Cited**

U.S. PATENT DOCUMENTS

(73) Assignee: **Symbol Technologies, LLC**, Holtsville,
NY (US)

9,112,276 B2 *	8/2015	Desclos	H01Q 1/42
D773,330 S *	12/2016	Dietz	D10/106.5
2013/0229262 A1 *	9/2013	Bellows	H01Q 1/007 340/10.1
2016/0048713 A1 *	2/2016	Bellows	G06K 7/10009 340/10.1

(**) Term: **15 Years**

* cited by examiner

(21) Appl. No.: **29/611,882**

Primary Examiner — Antoine Duval Davis

(22) Filed: **Jul. 26, 2017**

(51) **LOC (11) Cl.** **10-04**

(57) **CLAIM**

We claim the ornamental design for an asset tracking equip-
ment housing, as shown and described.

(52) **U.S. Cl.**

USPC **D10/70; D10/106.9**

DESCRIPTION

(58) **Field of Classification Search**

USPC D10/70, 106.9

CPC G08B 13/126; G08B 13/128; G08B 13/14;

G08B 13/1427; G08B 13/1409; G08B

13/1436; G08B 13/1445; G08B 13/1463;

G08B 13/1472; G08B 13/1481; G08B

13/149; G08B 13/2428; G08B 13/2434;

G08B 13/2437; G08B 21/24; G08B

13/19678; G08B 13/1968; G08B

13/19682; G08B 13/19684; G08B

13/19686; G08B 13/19689; G08B

13/19691; G08B 13/19695; G09F 3/18;

G09F 3/185; G09F 3/20; G09F 3/201;

G09F 3/202; G09F 3/203; G09F 3/204;

FIG. 1 is a first perspective view of an example asset
tracking equipment housing;

FIG. 2 is a second perspective view thereof;

FIG. 3 is a bottom view thereof;

FIG. 4 is a top view thereof;

FIG. 5 is a first side view thereof;

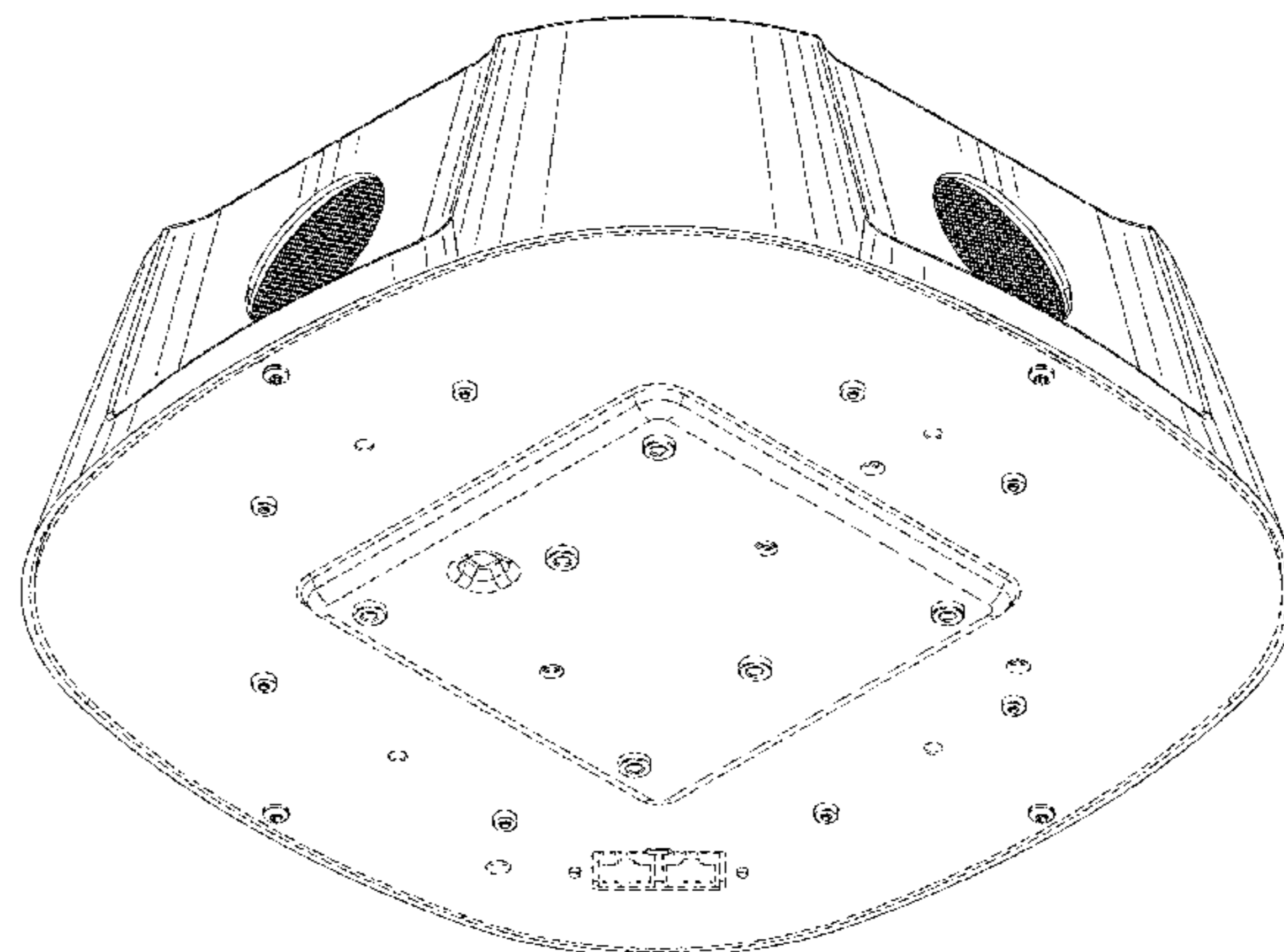
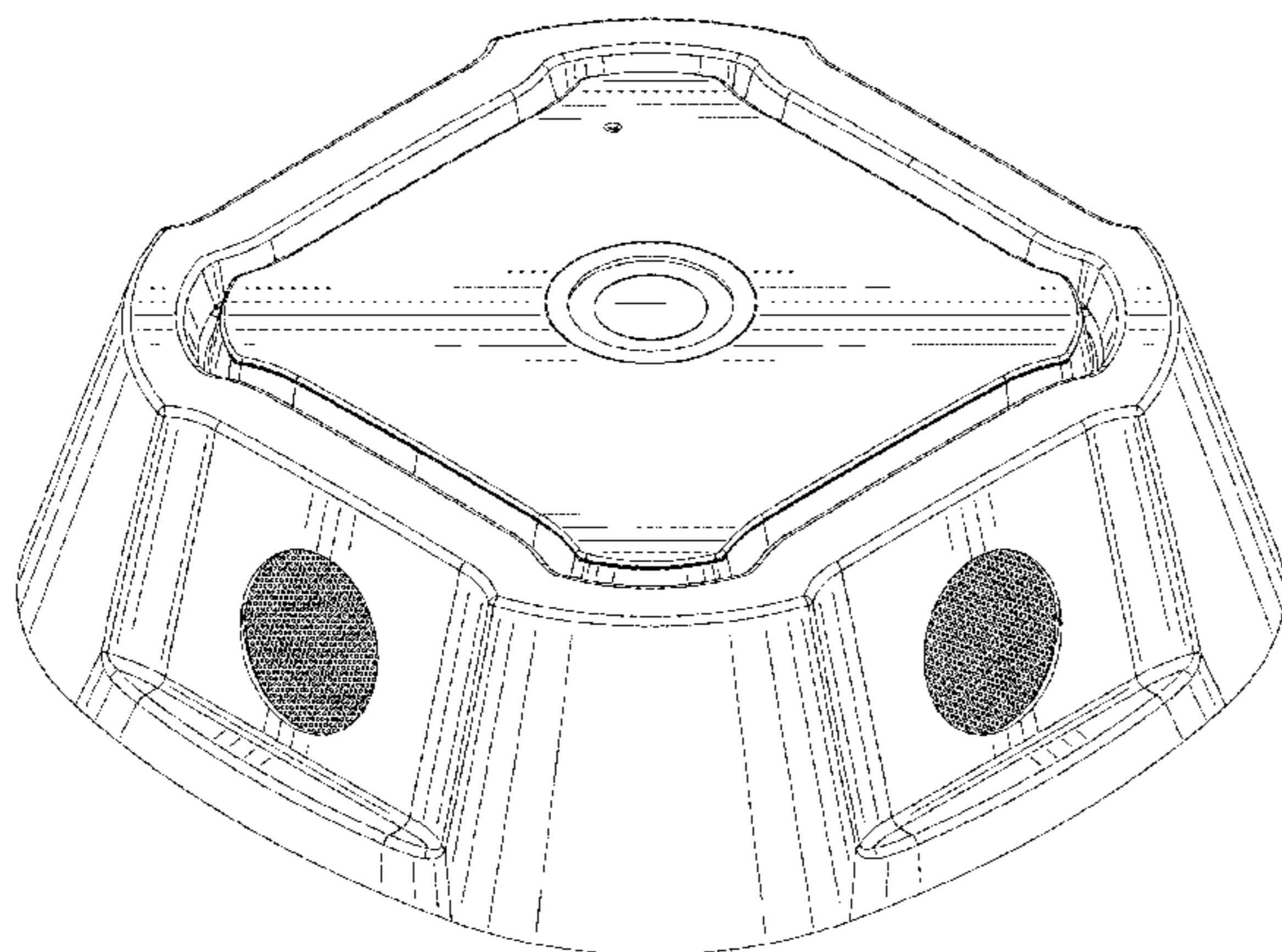
FIG. 6 is a second side view thereof;

FIG. 7 is a front view thereof; and,

FIG. 8 is a rear view thereof.

The broken lines are for illustrative purposes only. Broken
lines form no part of the design claimed.

1 Claim, 6 Drawing Sheets



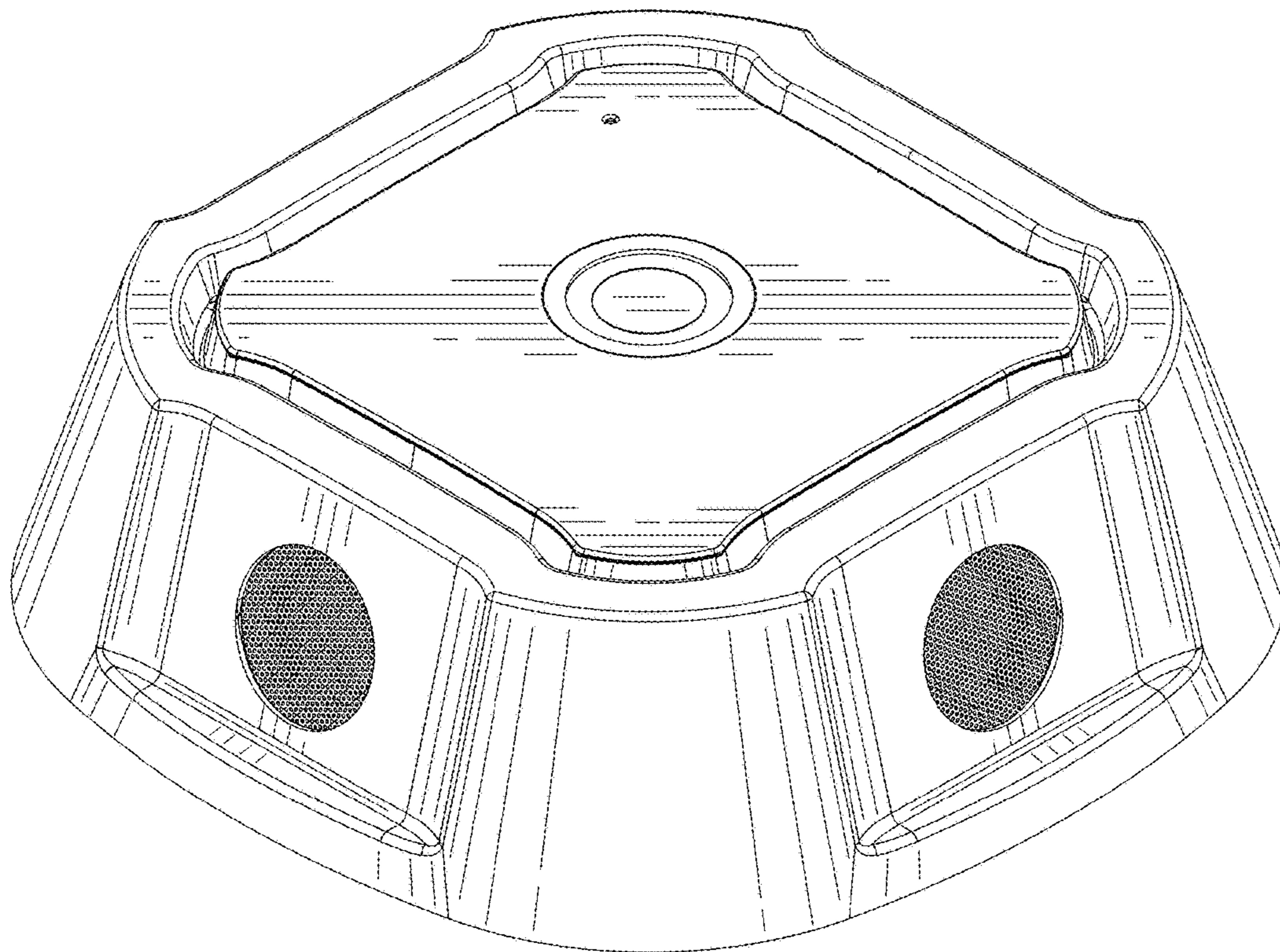


FIG. 1

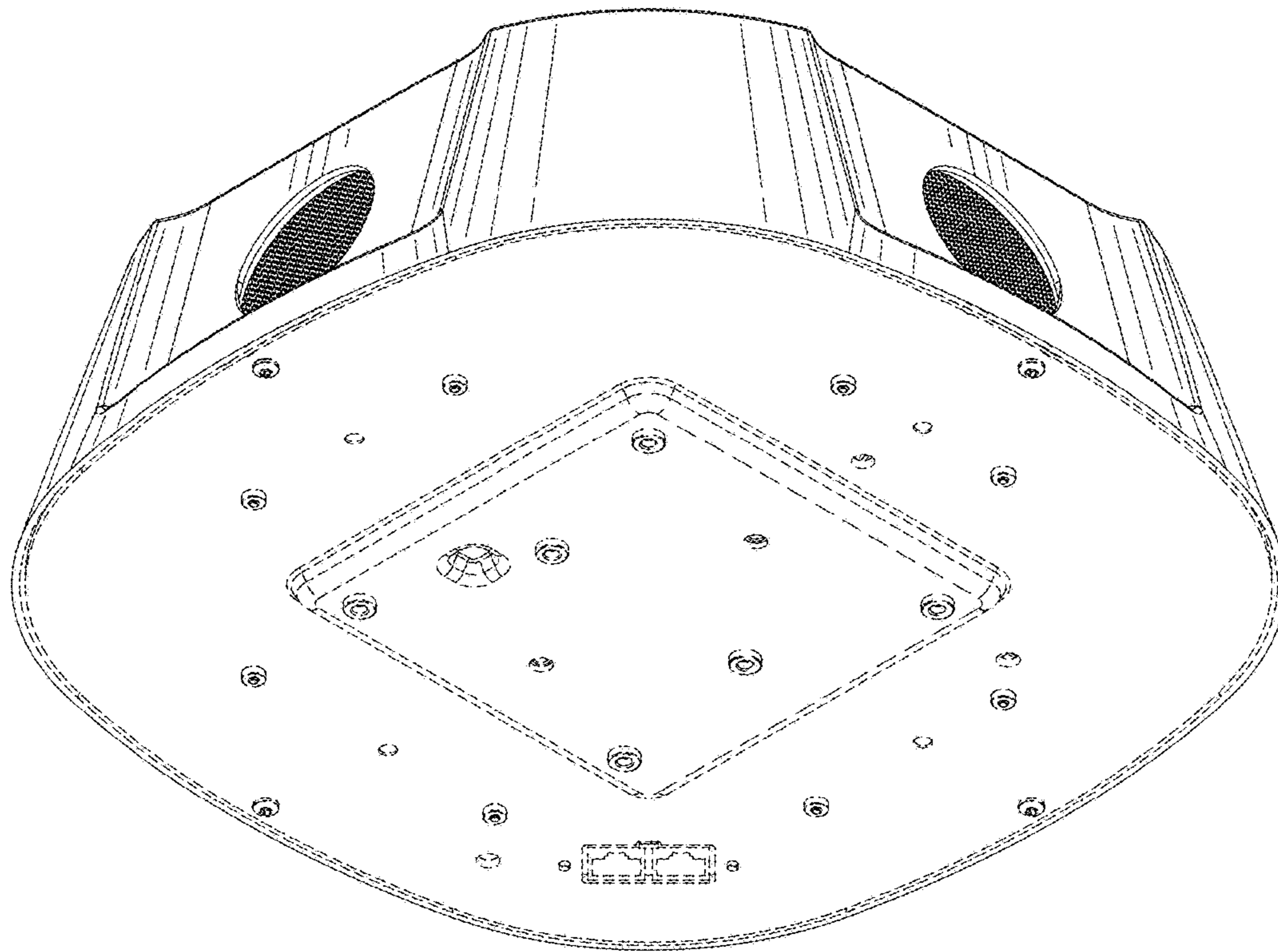


FIG. 2

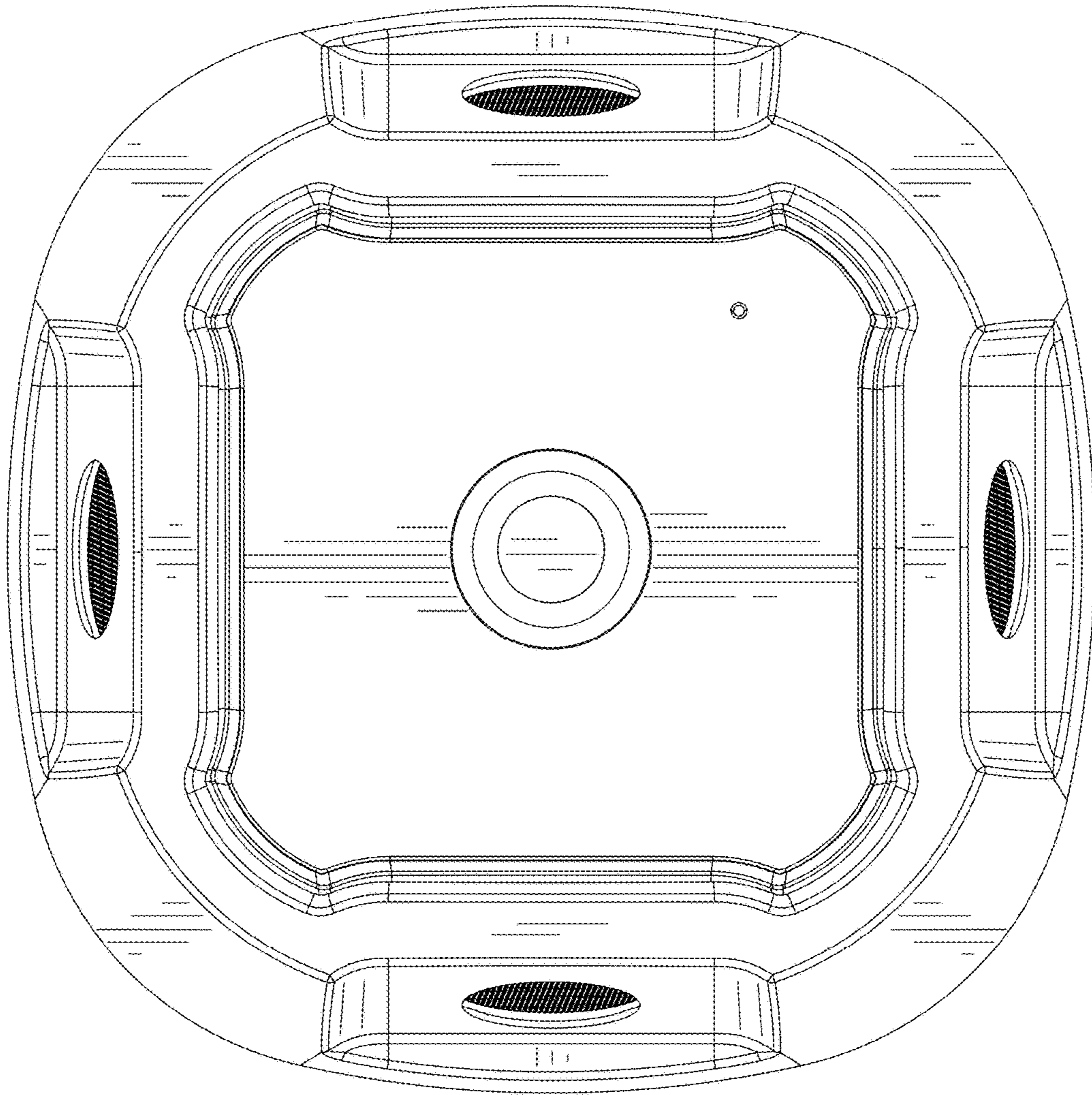


FIG. 3

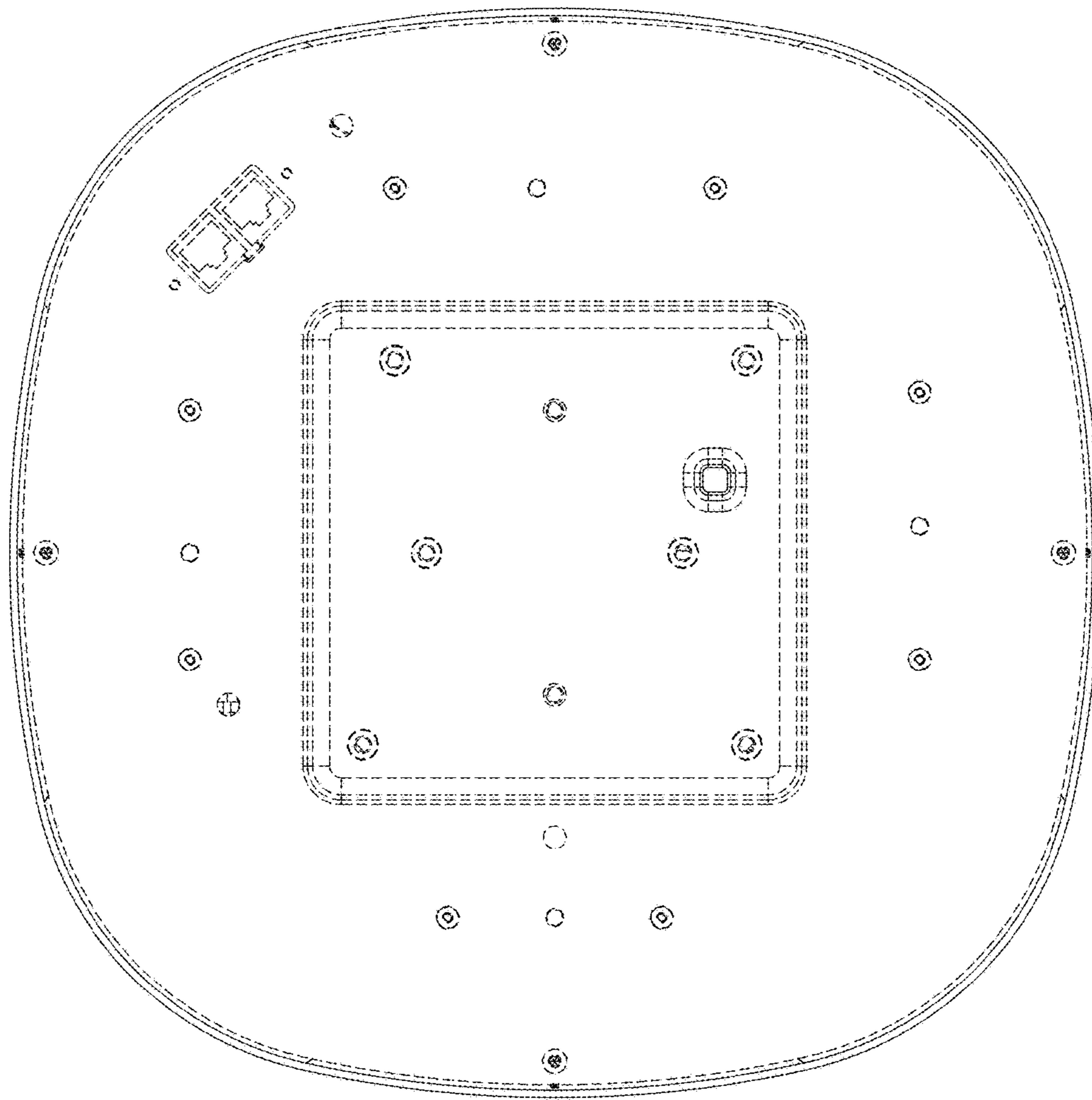


FIG. 4

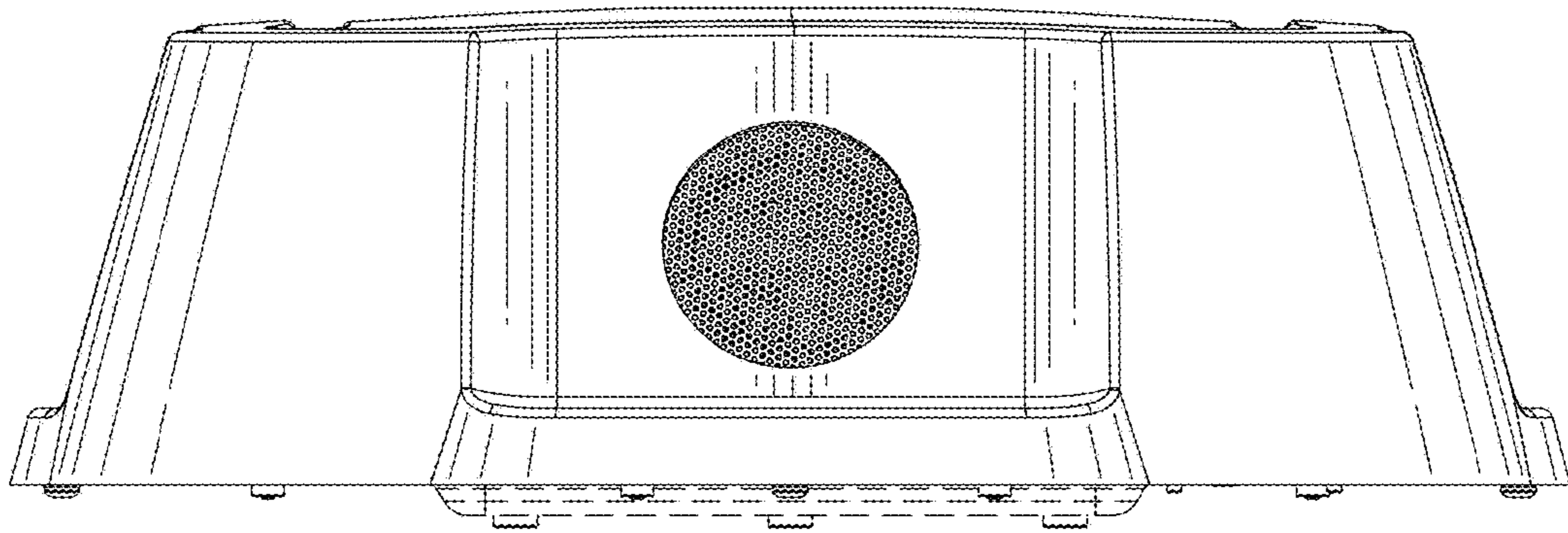


FIG. 5

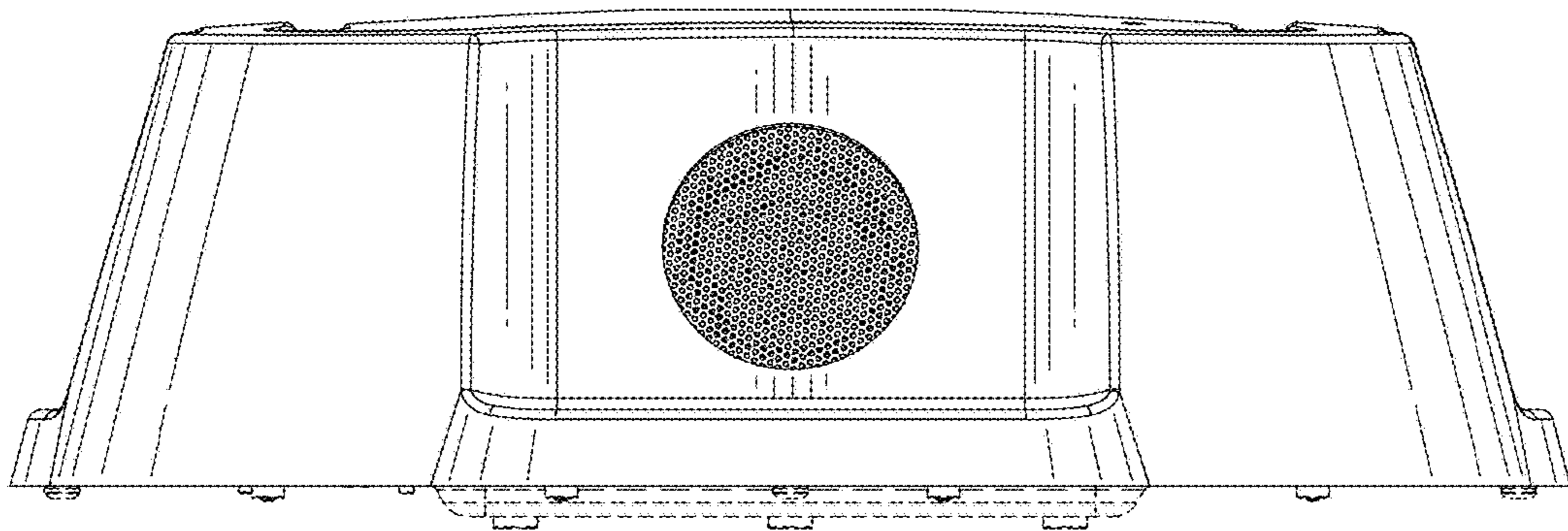


FIG. 6

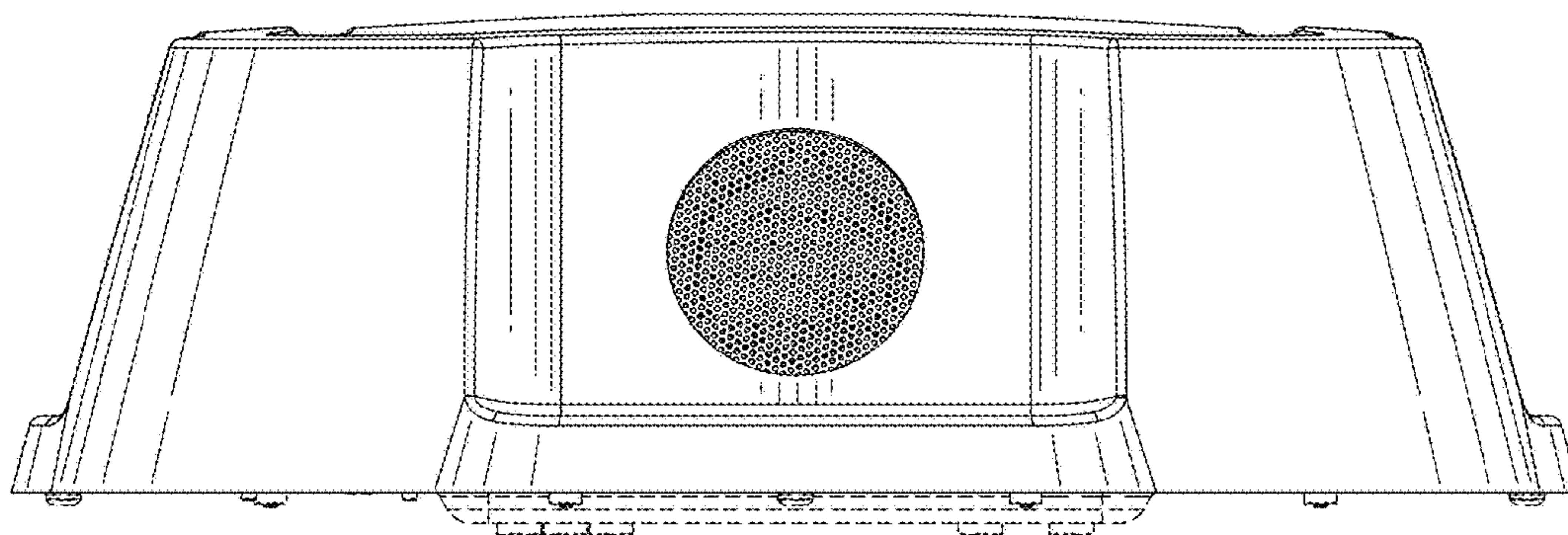


FIG. 7

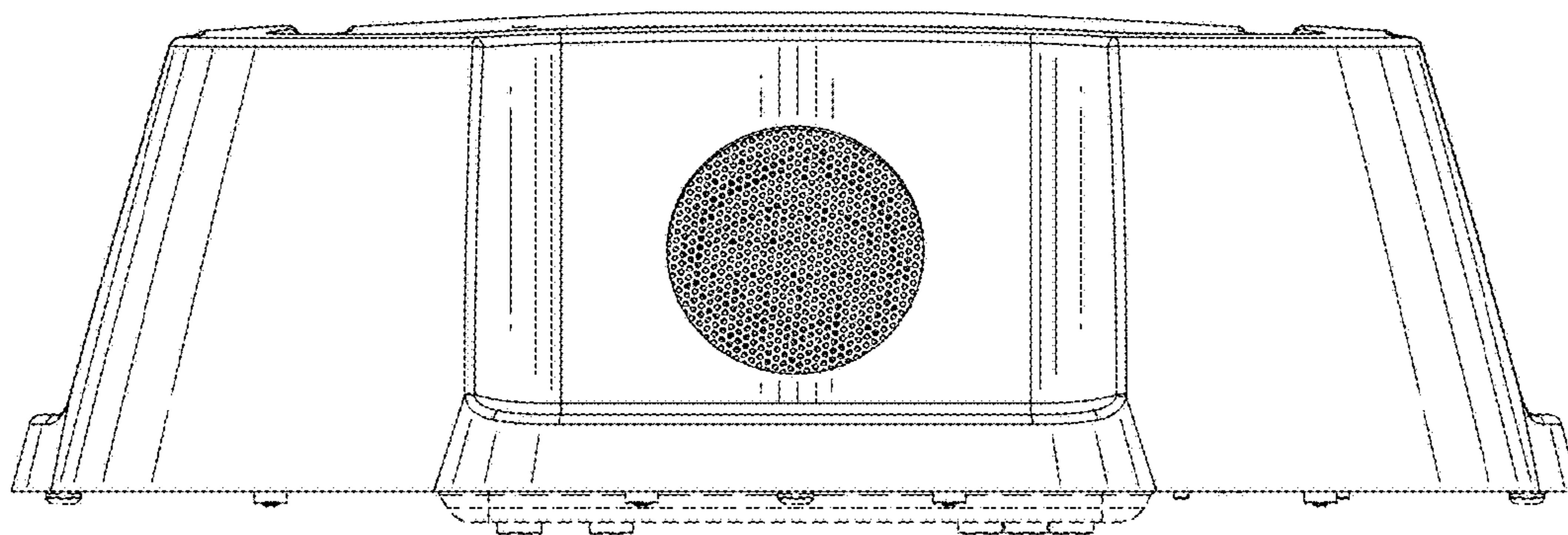


FIG. 8