



US00D843861S

(12) **United States Design Patent** (10) **Patent No.:** **US D843,861 S**
Stilz (45) **Date of Patent:** **** *Mar. 26, 2019**

(54) **SPIRIT LEVEL**

(71) Applicant: **STABILA MESSGERÄTE GUSTAV ULLRICH GMBH**, Annweiler (DE)

(72) Inventor: **Joachim Stilz**, Bonn (DE)

(*) Notice: This patent is subject to a terminal disclaimer.

(**) Term: **15 Years**

(21) Appl. No.: **35/502,488**

(22) Filed: **Aug. 19, 2016**

(80) **Hague Agreement Data**

Int. Filing Date: **Aug. 19, 2016**

Int. Reg. No.: **DM/093677**

Int. Reg. Date: **Aug. 19, 2016**

Int. Reg. Pub. Date: **Feb. 24, 2017**

(51) **LOC (11) Cl.** **10-04**

(52) **U.S. Cl.**

USPC **D10/69**

(58) **Field of Classification Search**

USPC D10/40-41
See application file for complete search history.

(56) **References Cited**

U.S. PATENT DOCUMENTS

D694,135 S * 11/2013 Kershaw D10/69
D762,499 S * 8/2016 Jackson D10/69
D786,105 S * 5/2017 Heitstuman D10/69
D805,928 S * 12/2017 Ben Josef D10/69

* cited by examiner

Primary Examiner — George D. Kirschbaum

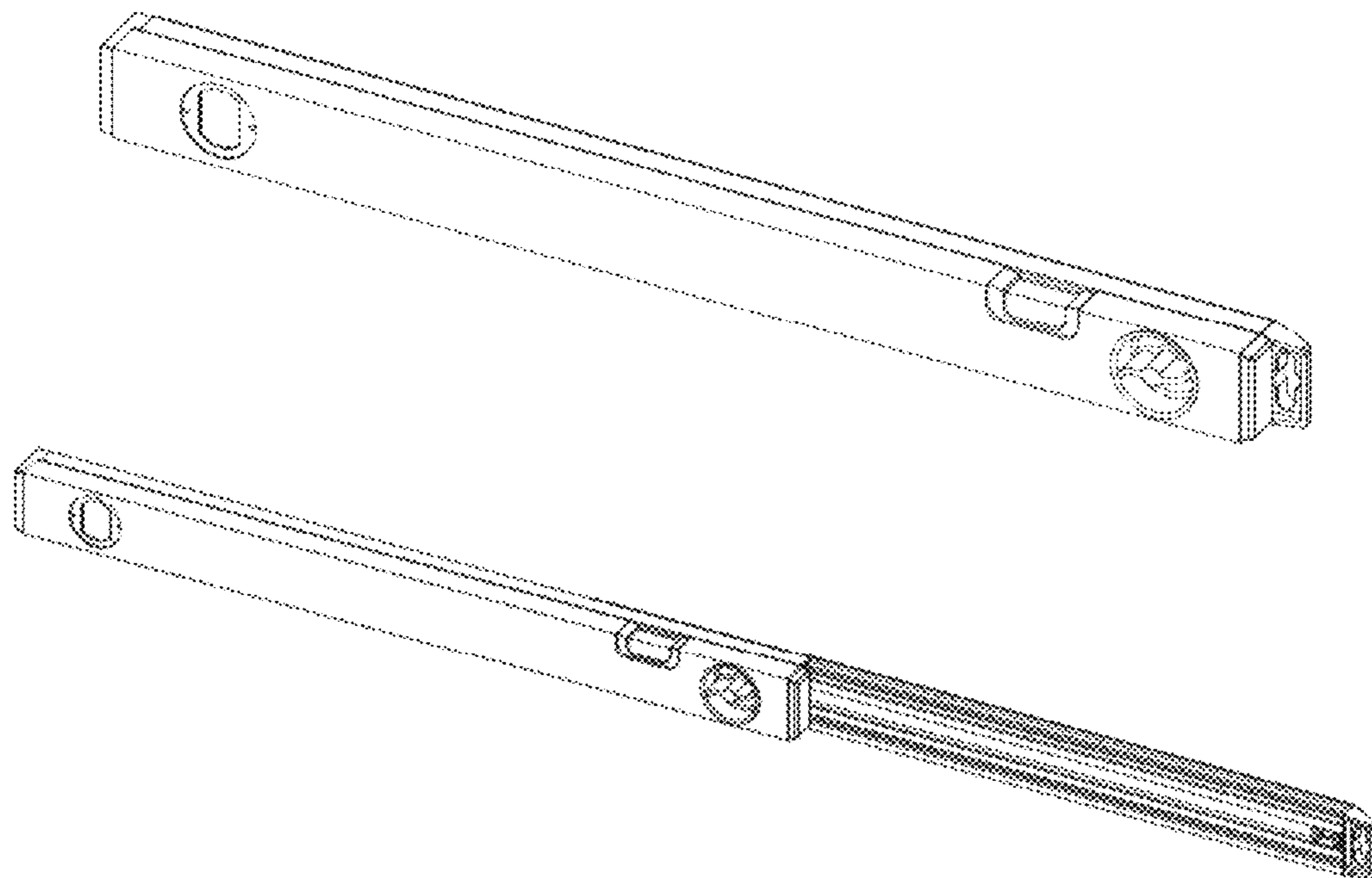
(57) **CLAIM**

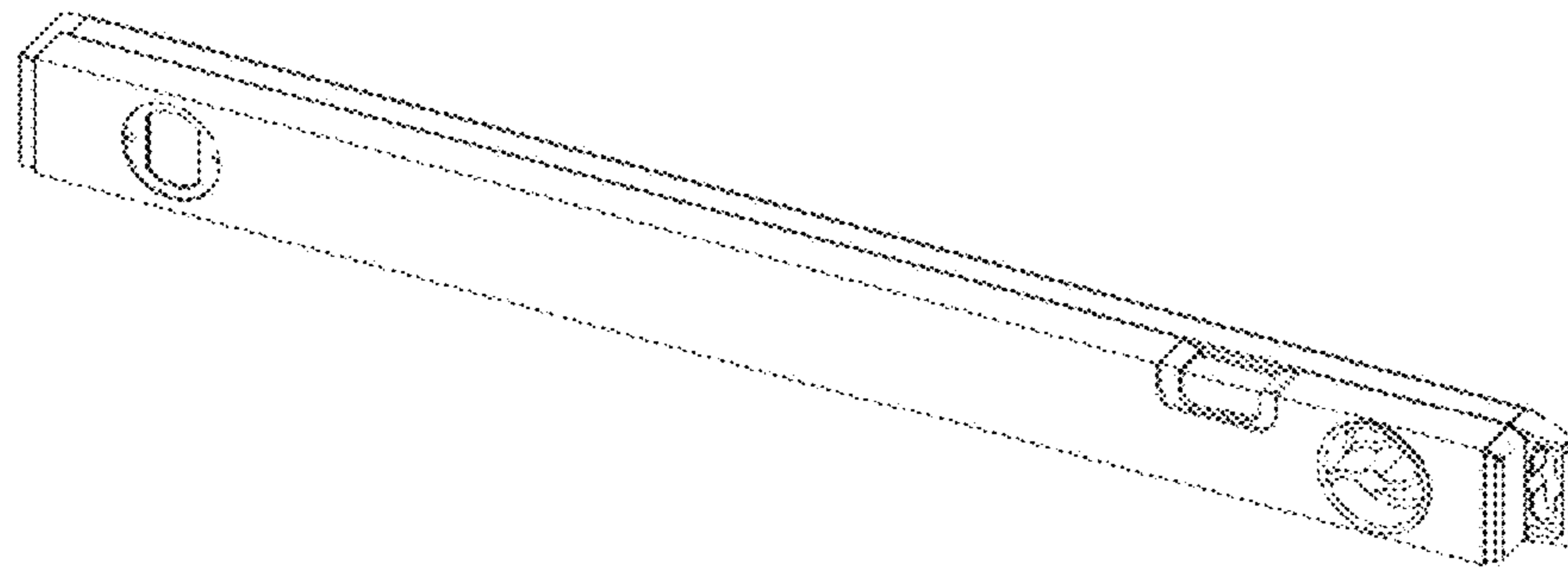
The ornamental design for a spirit level, as shown and described.

DESCRIPTION

- 1. Spirit level
- 1.1 is a perspective view.
- 1.2 is a front view.
- 1.3 is a right side view.
- 1.4 is a left side view.
- 1.5 is a top view.
- 1.6 is a back view.
- 1.7 is a bottom view.
- 1.8 is a perspective view in an alternate position.
- 1.9 is a front view.
- 1.10 is a right side view.
- 1.11 is a left side view.
- 1.12 top view.
- 1.13 is a back view.
- 1.14 is a bottom view.

1 Claim, 14 Drawing Sheets

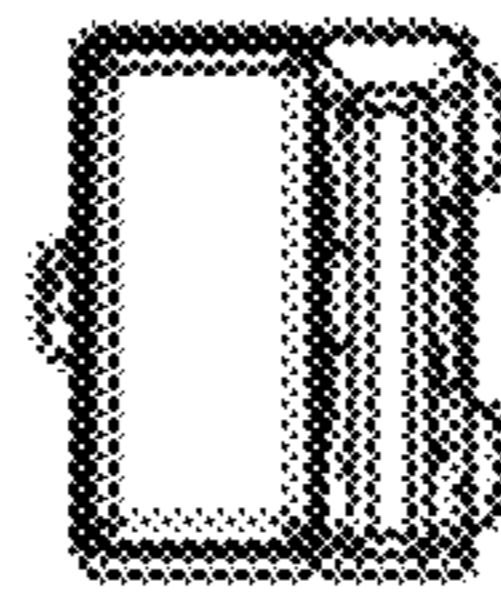




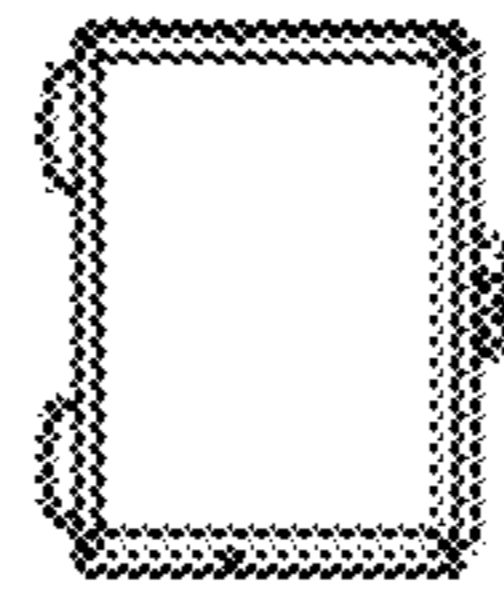
1.1



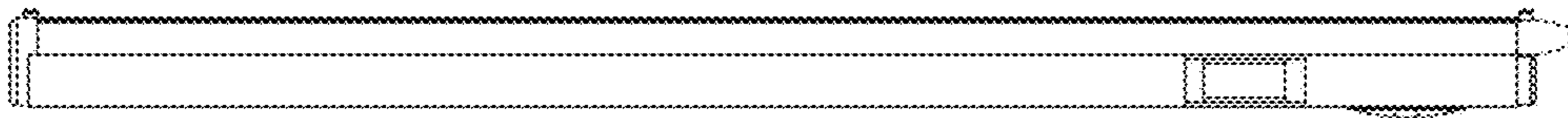
1.2



1.3



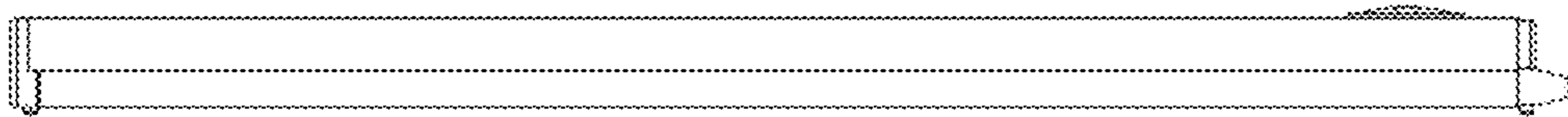
1.4



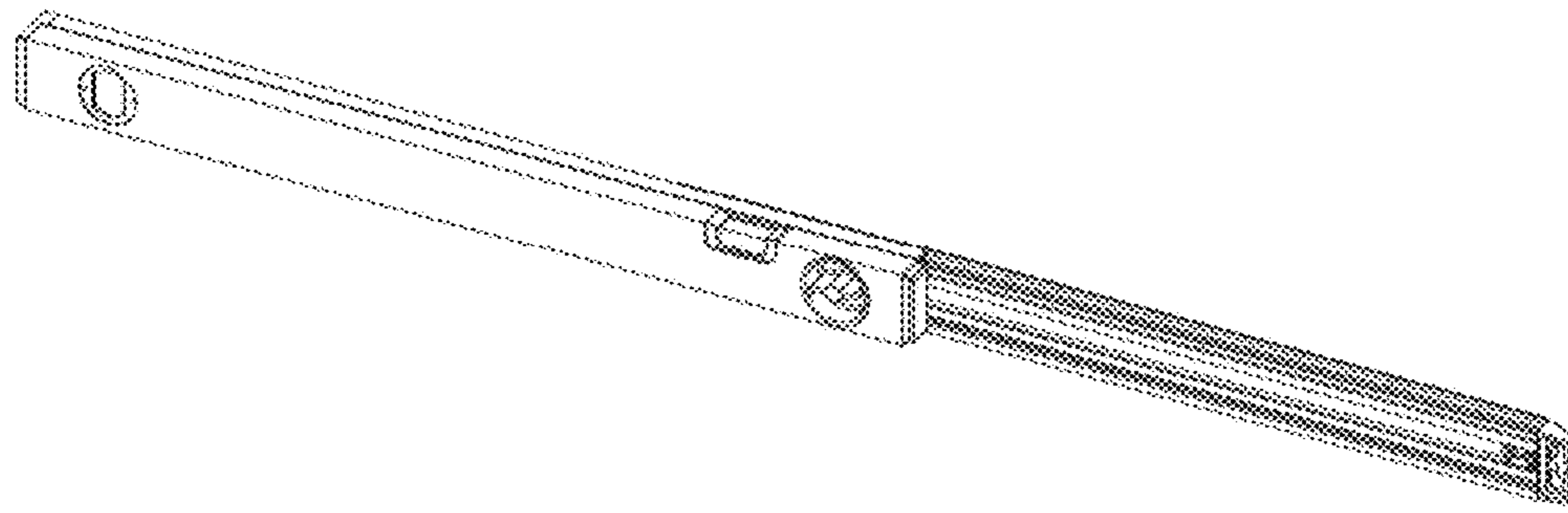
1.5



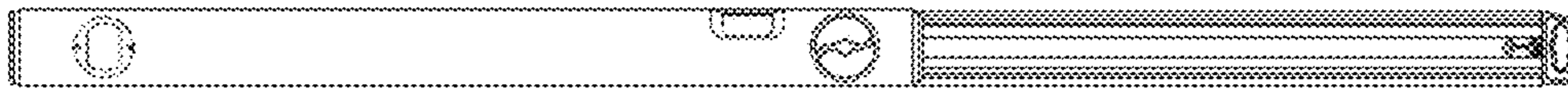
1.6



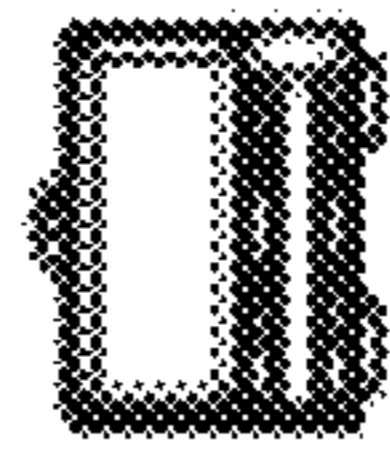
1.7



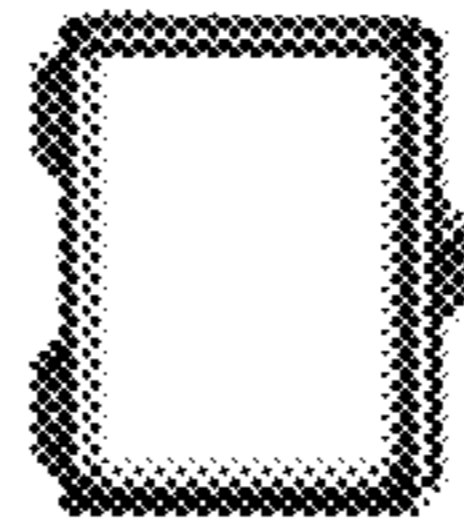
1.8



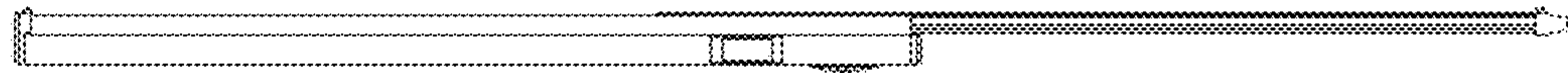
1.9



1.10



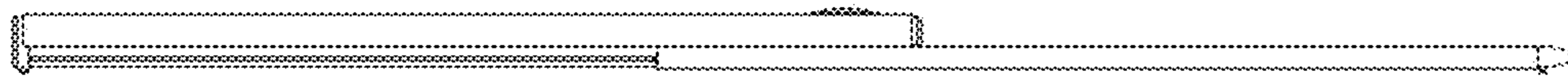
1.11



1.12



1.13



1.14