



US00D843858S

(12) **United States Design Patent** (10) **Patent No.:** **US D843,858 S**
Farenski (45) **Date of Patent:** **** Mar. 26, 2019**

(54) **THERMOSTATIC VALVE** D630,533 S * 1/2011 Clausen D10/49
D738,230 S * 9/2015 Hamann D10/50
(71) Applicant: **Schneider Electric Controls UK** D738,231 S * 9/2015 Hamann D10/50
Limited, London (GB) D738,754 S * 9/2015 Hamann D10/50
D777,587 S * 1/2017 Wieser D10/50

(72) Inventor: **Tom Farenski**, Fuerth (DE)

FOREIGN PATENT DOCUMENTS

(73) Assignee: **SCHNEIDER ELECTRIC**
CONTROLS UK LIMITED, London
(GB)

CN 302788233 * 4/2014

(**) Term: **15 Years**

OTHER PUBLICATIONS

(21) Appl. No.: **29/593,626**

https://www.youtube.com/watch?v=Wjlxw_wiz_g Published Oct. 2, 2017 (Year: 2017).*

(22) Filed: **Feb. 10, 2017**

* cited by examiner

(30) **Foreign Application Priority Data**

Primary Examiner — Leanne Was-Englehart

Aug. 12, 2016 (EM) 003339928-0001

(74) *Attorney, Agent, or Firm* — Young & Thompson

(51) **LOC (11) Cl.** **10-04**

(57) **CLAIM**

(52) **U.S. Cl.**
USPC **D10/50**

The ornamental design for a thermostatic valve, as shown and described.

(58) **Field of Classification Search**
USPC D10/9, 50–56; D23/233, 235, 237
CPC F23N 5/18; F23N 5/20; F23N 5/22; F23N
5/184; F23N 5/187; F23N 5/203; F23N
5/206; F23N 2025/12; F23N 2041/02;
F24F 11/00; F24F 11/0009; F24F
11/0012; F24F 11/001; F24F 2011/0057;
F24F 2011/0073; F24F 2011/0091
See application file for complete search history.

DESCRIPTION

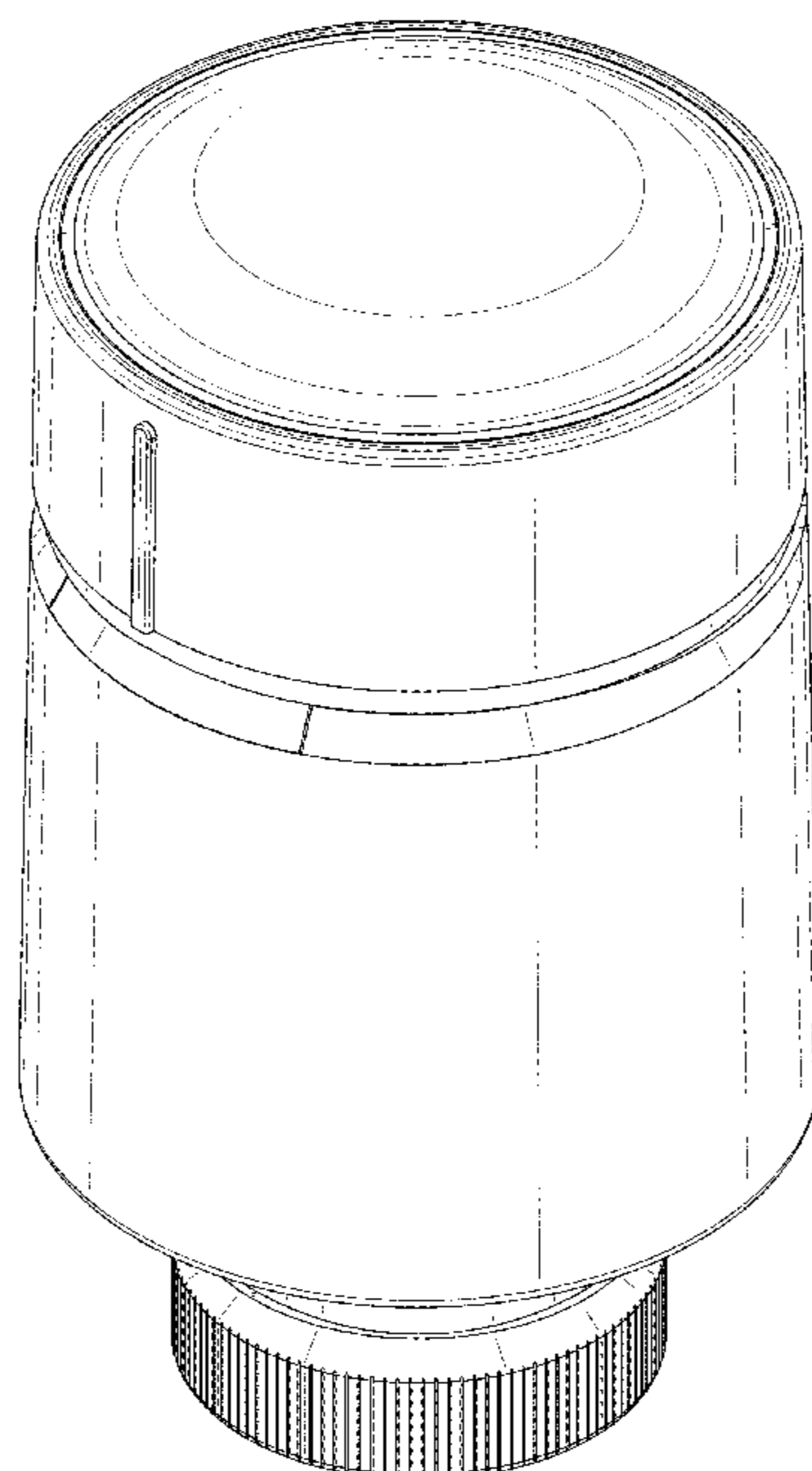
(56) **References Cited**

FIG. 1 is a front elevation view of a thermostatic valve showing the new design;
FIG. 2 is a front, top, and left side perspective view thereof, wherein the opposite side perspective view is a mirror image;
FIG. 3 is a right side elevation view thereof; and,
FIG. 4 is a top plan view thereof.
The broken lines shown in the drawings illustrate portions of the thermostatic valve that form no part of the claimed design.

U.S. PATENT DOCUMENTS

D503,630 S * 4/2005 Bertolotti D10/50
D603,277 S * 11/2009 Clausen D10/50

1 Claim, 4 Drawing Sheets



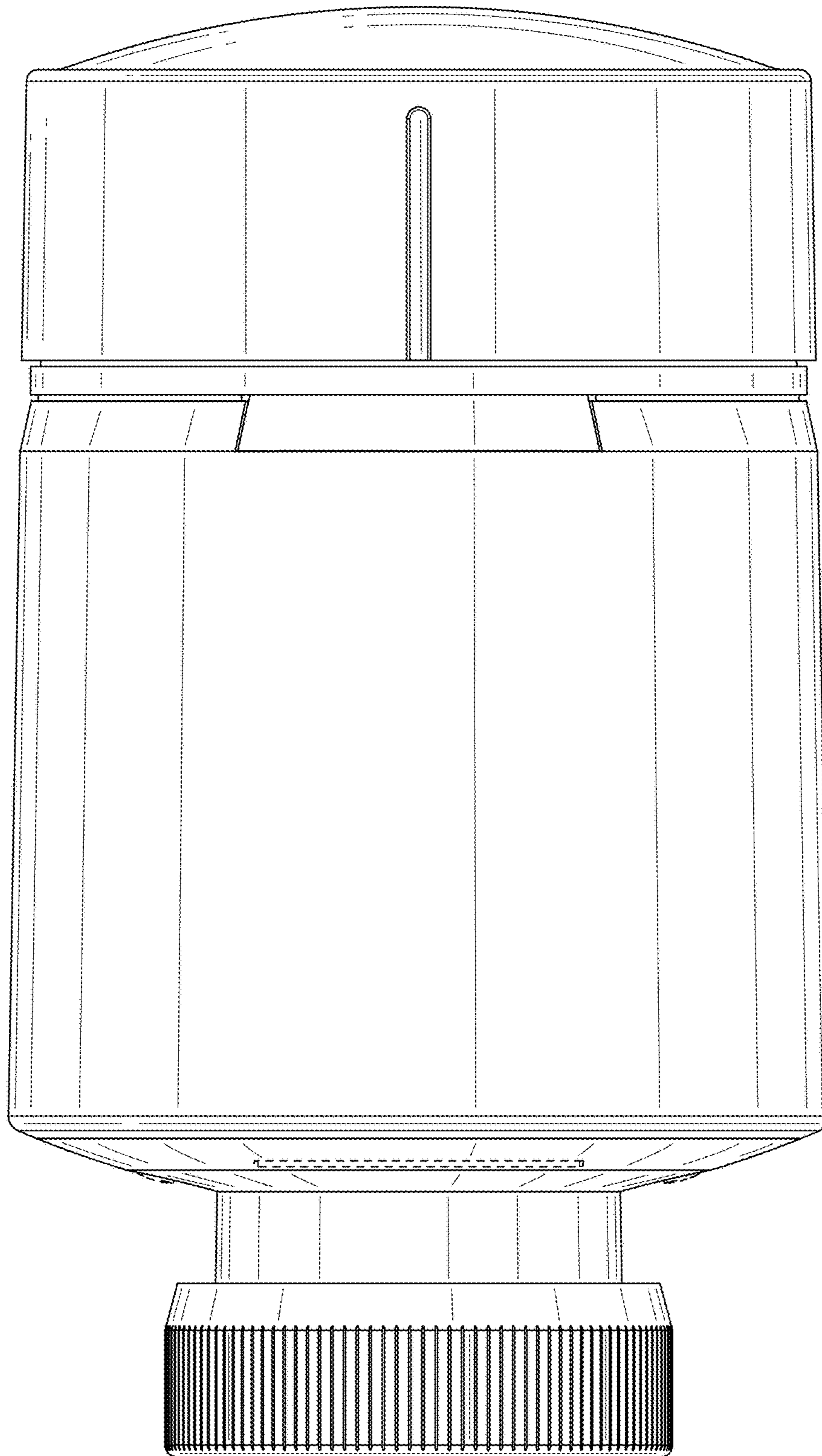


FIG. 1

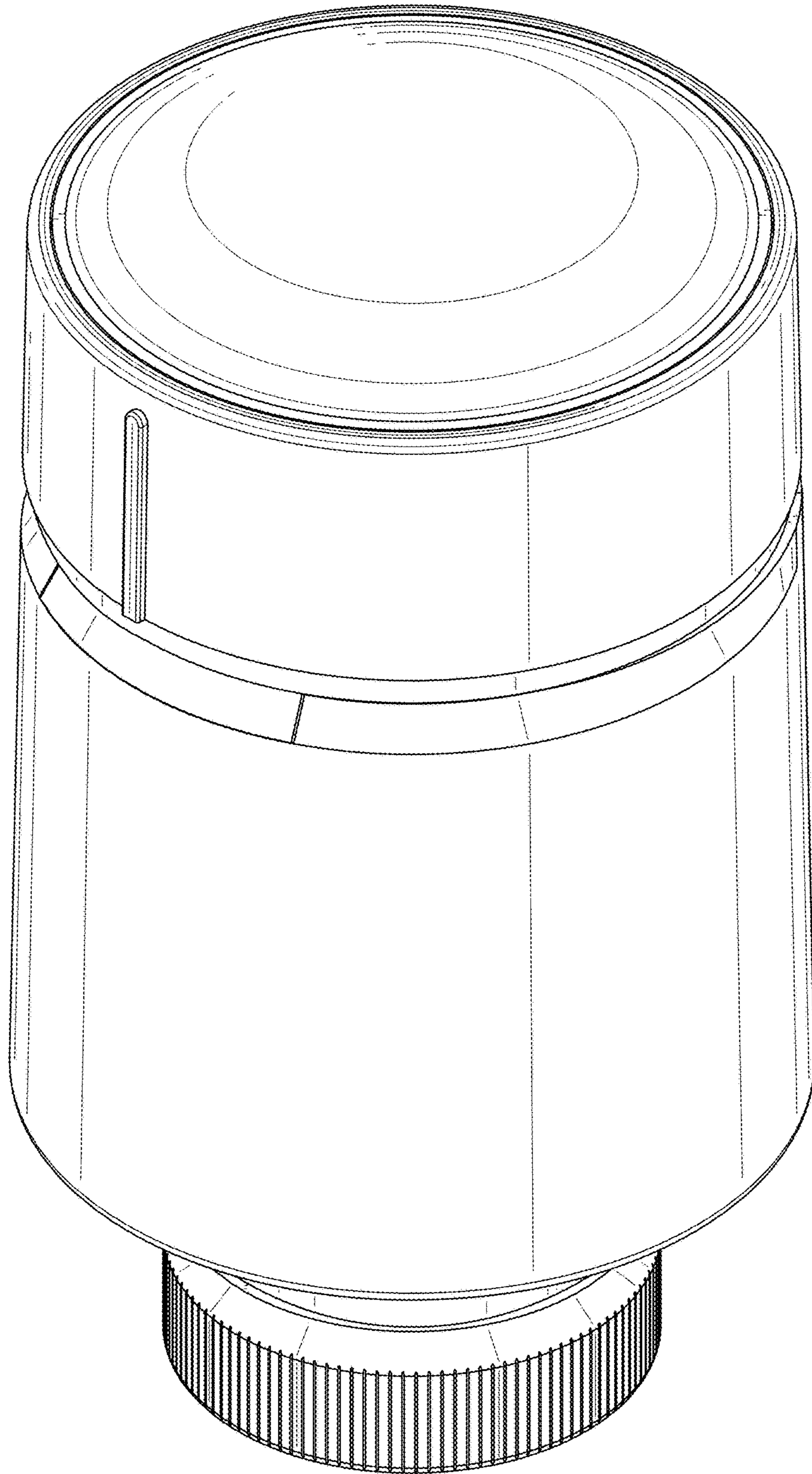


FIG. 2

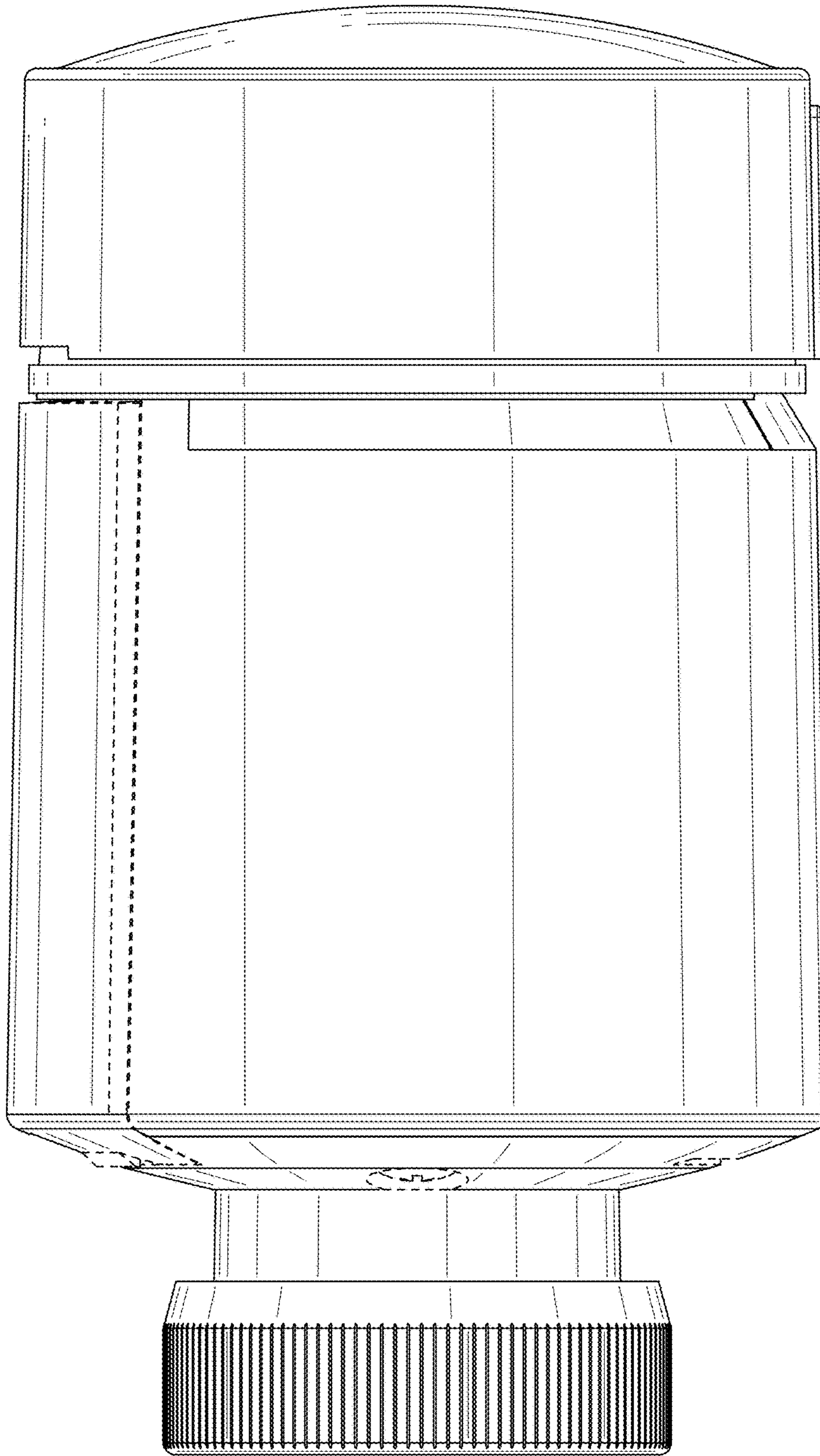


FIG. 3

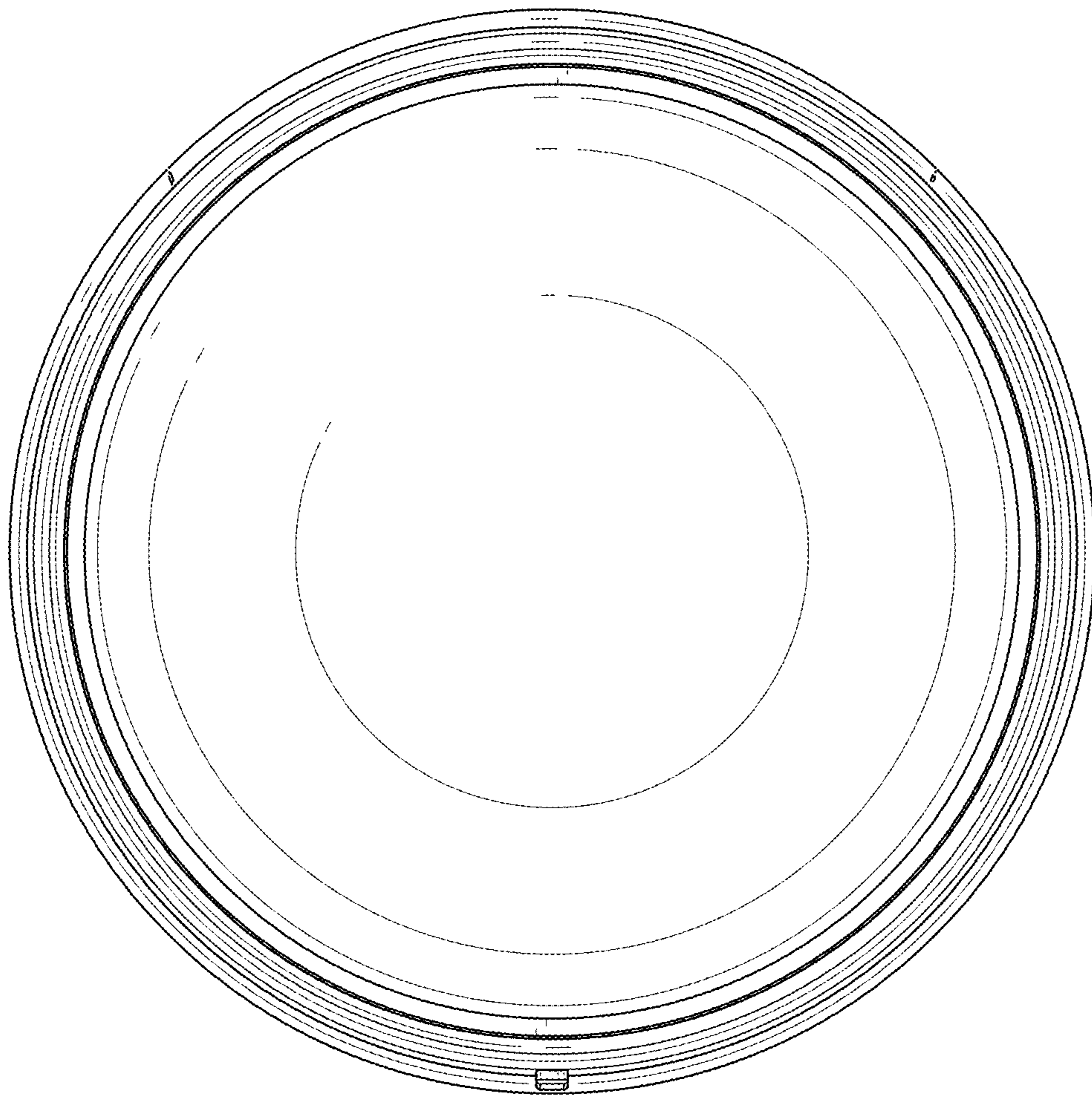


FIG. 4