



US00D843856S

(12) **United States Design Patent**
Fukui

(10) **Patent No.:** **US D843,856 S**
(45) **Date of Patent:** **** Mar. 26, 2019**

- (54) **MEASURING SPOON**
- (71) Applicant: **RYUKAKUSAN CO., LTD.**, Tokyo (JP)
- (72) Inventor: **Atsuko Fukui**, Tokyo (JP)
- (73) Assignee: **RYUKAKUSAN CO., LTD.**, Tokyo (JP)
- (**) Term: **15 Years**
- (21) Appl. No.: **29/595,035**
- (22) Filed: **Feb. 24, 2017**
- (51) **LOC (11) Cl.** **10-04**
- (52) **U.S. Cl.**
USPC **D10/46.2**
- (58) **Field of Classification Search**
USPC D10/46.2, 46.3; D7/653, 691, 692,
D7/316-318, 667, 647, 668; 210/469;
D24/116
CPC G01F 19/00-19/007; A61J 7/0023; A61J
7/0046; A47J 43/22; A47J 43/24; A47J
19/00; A47J 19/005
See application file for complete search history.

(56) **References Cited**

U.S. PATENT DOCUMENTS

- D172,482 S * 6/1954 Smith D10/46.3
- D205,539 S * 8/1966 Latham D7/647
- D213,719 S * 4/1969 Gerlich D10/46.2
- 3,946,652 A * 3/1976 Gorin A47G 19/16
D7/653
- D282,708 S * 2/1986 Schaeffer D7/667
- D321,303 S * 11/1991 Augustino D7/688
- D343,996 S * 2/1994 Hansen D7/692
- 5,314,075 A * 5/1994 Nguyen A47J 43/22
209/417
- 5,348,023 A * 9/1994 McLucas A61B 10/0291
30/325
- D437,737 S * 2/2001 Durbin D7/647

- D438,070 S * 2/2001 Kwok D7/692
- D459,952 S * 7/2002 Bellander D7/667
- D489,584 S * 5/2004 Cohen D7/692
- D495,216 S * 8/2004 Overthun D7/667
- D523,359 S * 6/2006 DiPietro D10/46.2
- D551,522 S * 9/2007 Taylor D7/692
- D608,602 S * 1/2010 Davies D7/653
- D634,591 S * 3/2011 Coppo D7/691
- 8,678,198 B1 * 3/2014 D'Andrea G01F 19/007
209/417
- D715,112 S * 10/2014 Petrossian D7/692
- 8,967,693 B2 * 3/2015 Young A47J 43/28
294/131
- D750,837 S * 3/2016 Gast D7/691
- D789,161 S * 6/2017 Gettig D7/653
- D825,286 S * 8/2018 Smith D7/653
- 2016/0001941 A1 * 1/2016 Crusius G01F 19/002
220/212
- 2017/0209002 A1 * 7/2017 Scarpati A47J 43/22
- 2017/0336237 A1 * 11/2017 Nuijen G01F 19/002

* cited by examiner

Primary Examiner — Brett Miller
(74) *Attorney, Agent, or Firm* — Oliff PLC

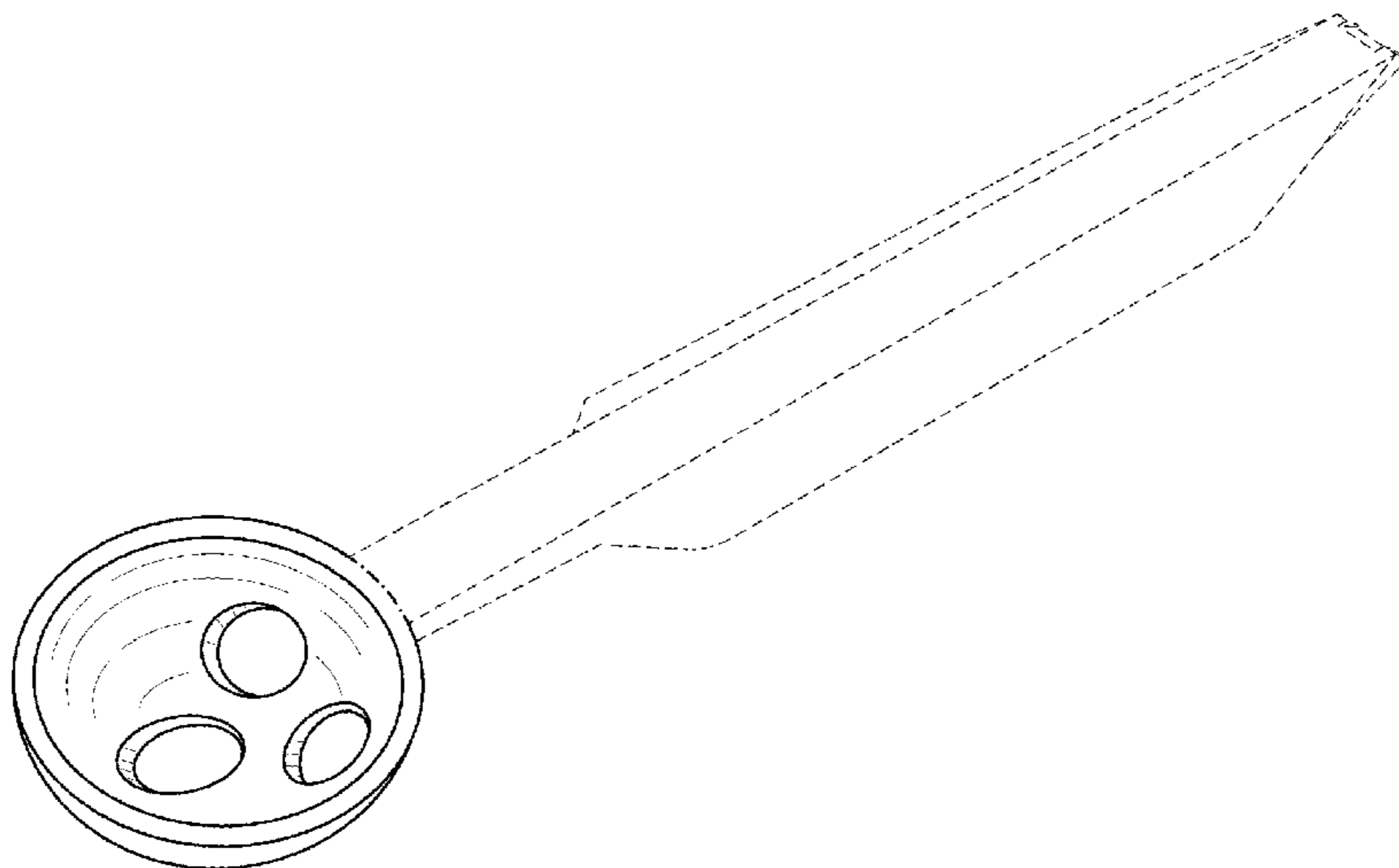
(57) **CLAIM**

The ornamental design for a measuring spoon, as shown and described.

DESCRIPTION

FIG. 1 is a perspective view of a measuring spoon;
FIG. 2 is a front view thereof, symmetrical with a rear view thereof;
FIG. 3 is a top view thereof;
FIG. 4 is a right-side view thereof;
FIG. 5 is a left-side view thereof; and,
FIG. 6 is a bottom view thereof.
The broken lines depict subject matter that forms no part of the claimed design.

1 Claim, 3 Drawing Sheets



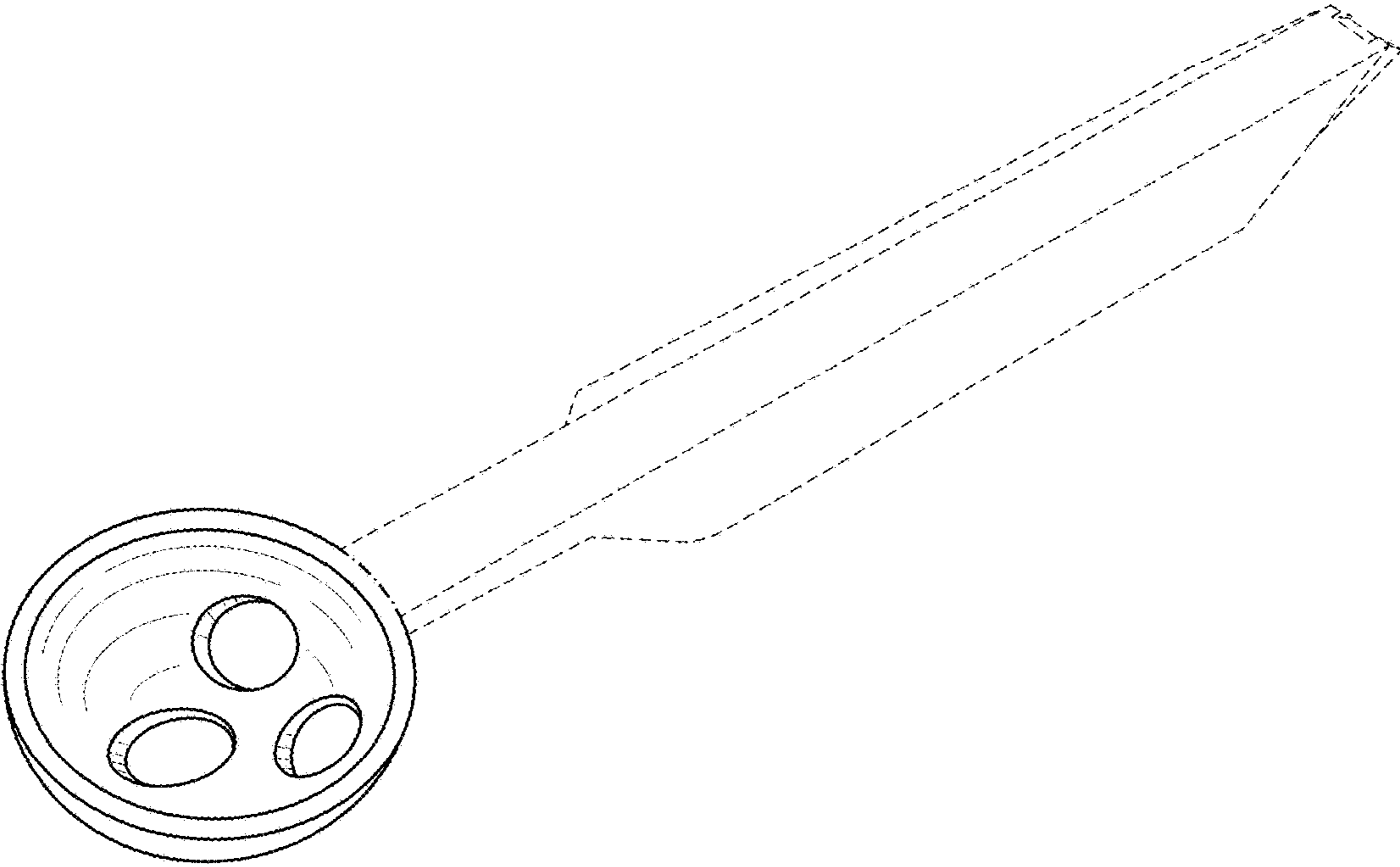


FIG. 1

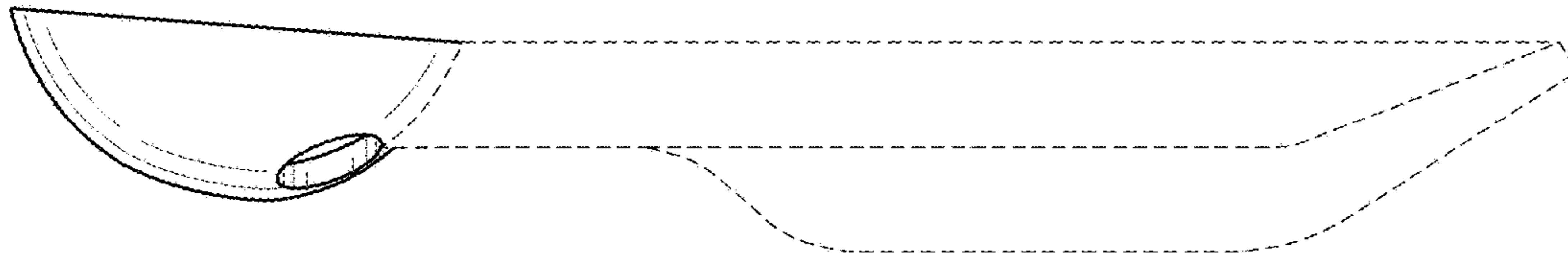


FIG. 2

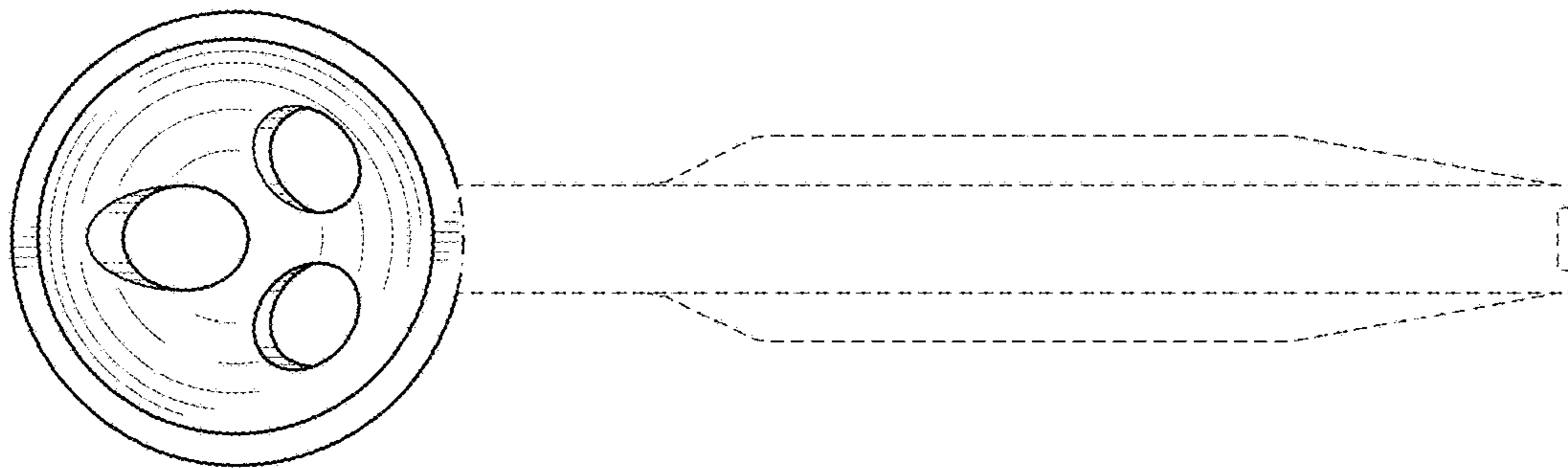


FIG. 3

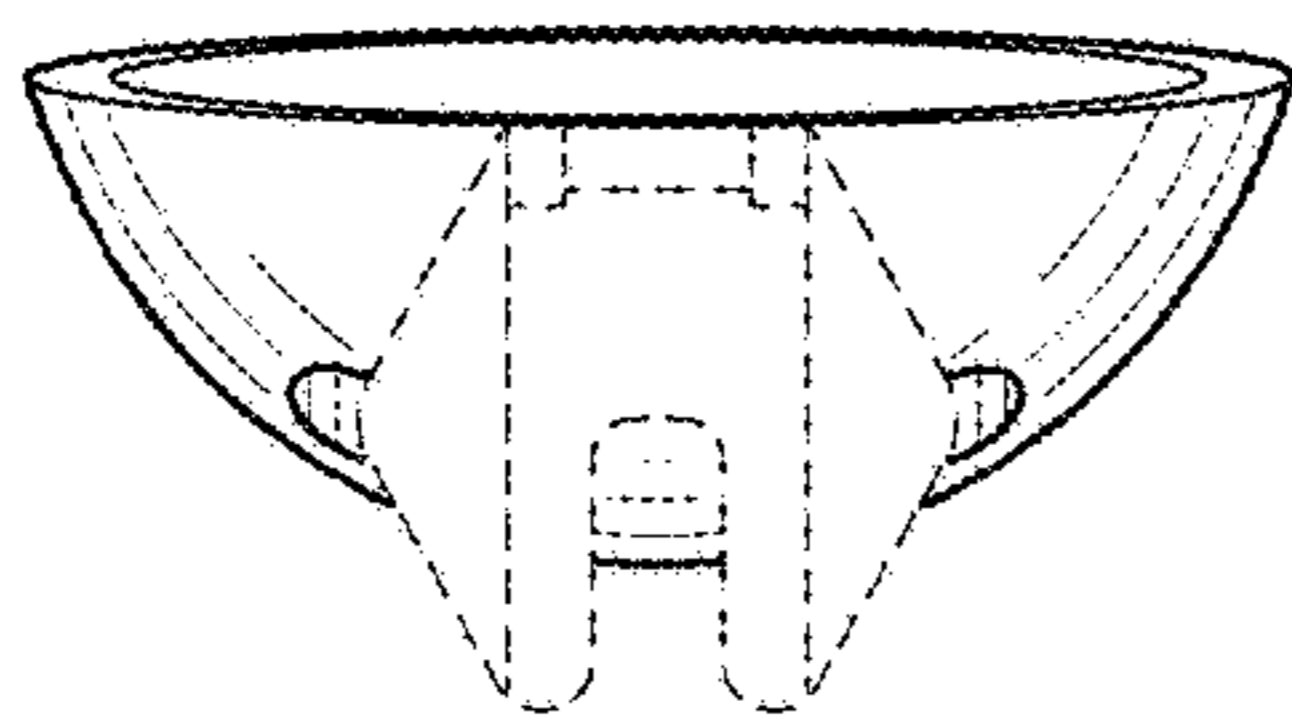


FIG. 4

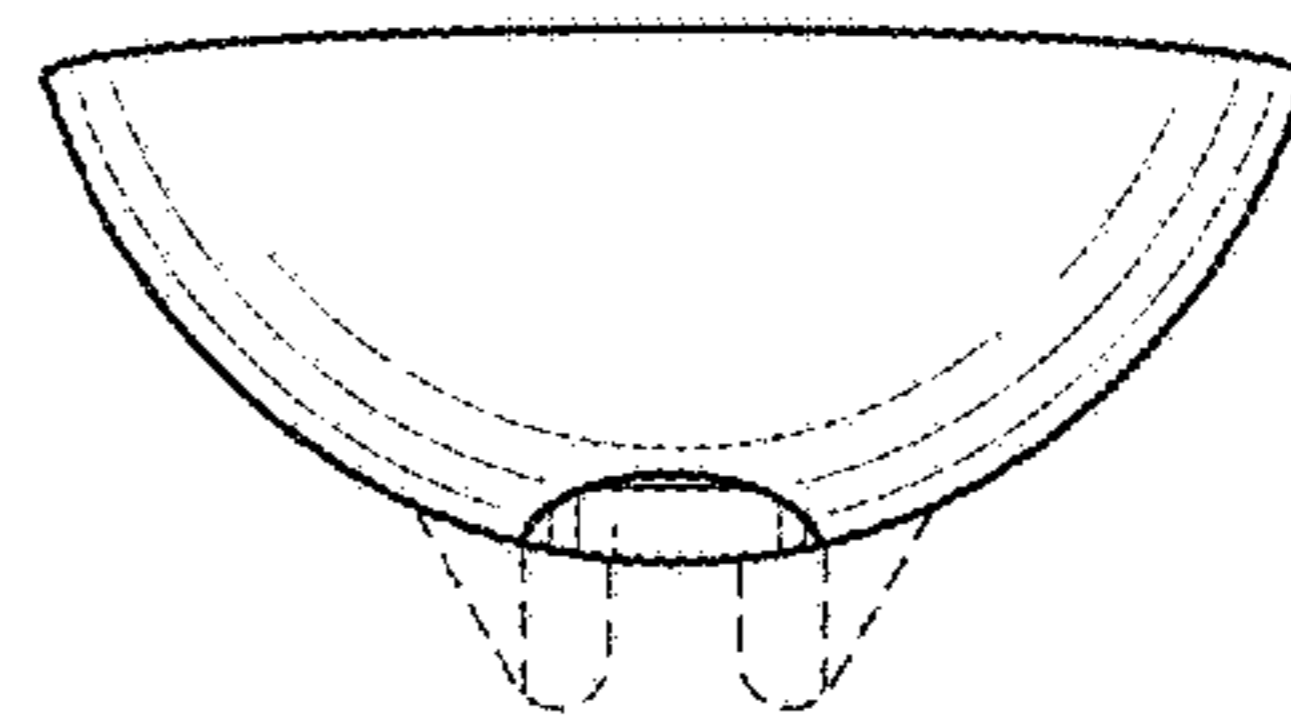


FIG. 5

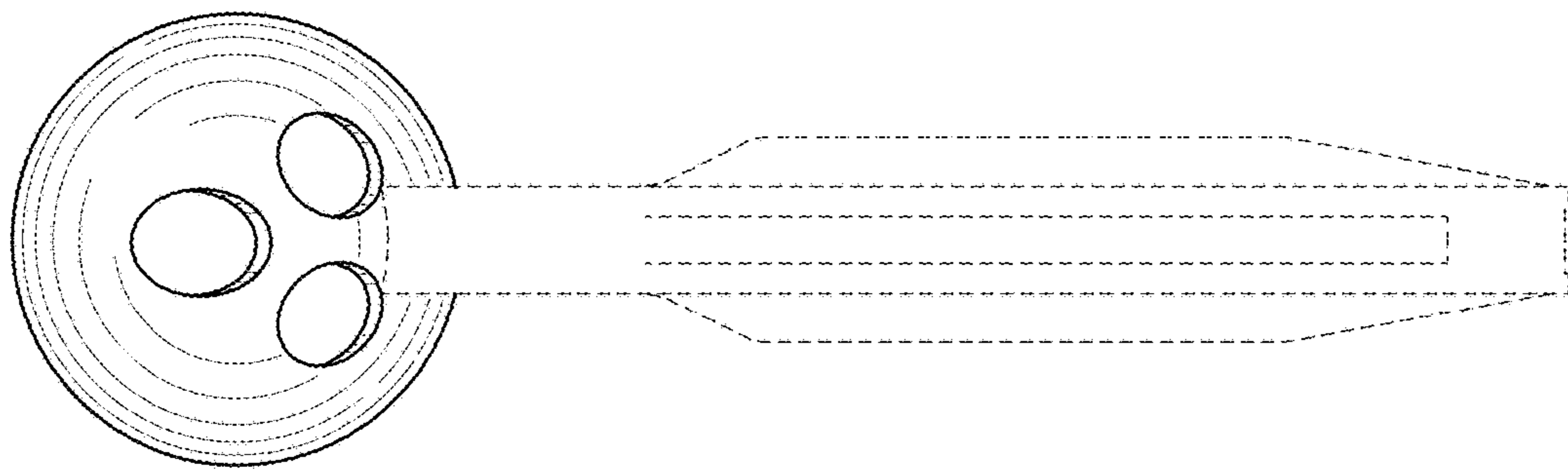


FIG. 6