



US00D843854S

(12) **United States Design Patent**
Weiss et al.

(10) **Patent No.:** **US D843,854 S**
(45) **Date of Patent:** **** Mar. 26, 2019**

(54) **BREW TIME INDICATING DEVICE**

(71) Applicants: **Kenneth Weiss**, Memphis, TN (US);
Michael Neel, Memphis, TN (US);
Robert Hewitt, Germantown, TN (US);
Ronald J. Hoffman, Memphis, TN (US)

(72) Inventors: **Kenneth Weiss**, Memphis, TN (US);
Michael Neel, Memphis, TN (US);
Robert Hewitt, Germantown, TN (US);
Ronald J. Hoffman, Memphis, TN (US)

(73) Assignee: **T&H, LLC**, Memphis, TN (US)

(**) Term: **15 Years**

(21) Appl. No.: **29/616,961**

(22) Filed: **Sep. 11, 2017**

(51) **LOC (11) Cl.** **10-03**

(52) **U.S. Cl.**
USPC **D10/40**

(58) **Field of Classification Search**

USPC D10/1, 2-3, 5-7, 14-15, 22-28, 40-41,
D10/46.1, 46.2, 49-50, 52, 55, 59,
D10/122-124, 126-128, 132;
D14/170-171, 197, 218, 489-490, 492;
D15/28; D20/20-21, 29; D7/589
CPC G04B 19/00; G04B 19/04; G04B 19/042;
G04B 19/044; G04B 19/06; G04B
19/065; G04B 19/08; G04B 19/085;
G04B 19/26; G04B 19/264; G04B
45/0069; G04B 47/02; G04B 47/04;
G04B 47/048; G04C 3/001; G04C 19/00;
G04C 19/02; G04C 19/06; G04F 1/00;
G04F 3/00; G04F 3/02; A47J 31/407

See application file for complete search history.

(56) **References Cited**

U.S. PATENT DOCUMENTS

3,685,702 A * 8/1972 Erwin G01F 19/00
222/305
D236,698 S * 9/1975 Draghi D10/40

D236,812 S * 9/1975 Draghi D10/40
D318,240 S * 7/1991 Pang D10/40
D377,435 S * 1/1997 Dettmar D7/300

(Continued)

OTHER PUBLICATIONS

Mechanical Kitchen Coffee Cup Shape Timer | posted at alibaba.com n.d. © 1999-2018 Alibaba.com. [online][site visited Jul. 31, 2018]. Available from internet: <https://www.alibaba.com/product-detail/Best-quality-mechanical-kitchen-coffee-cup_1918270596.html?spm=a2700.7724857.normalList.17.48864dc48eg6DL> (Year: 2018).*

(Continued)

Primary Examiner — Sandra S Snapp

Assistant Examiner — Katherine Glennon

(74) *Attorney, Agent, or Firm* — Thomas | Horstemeyer, LLP

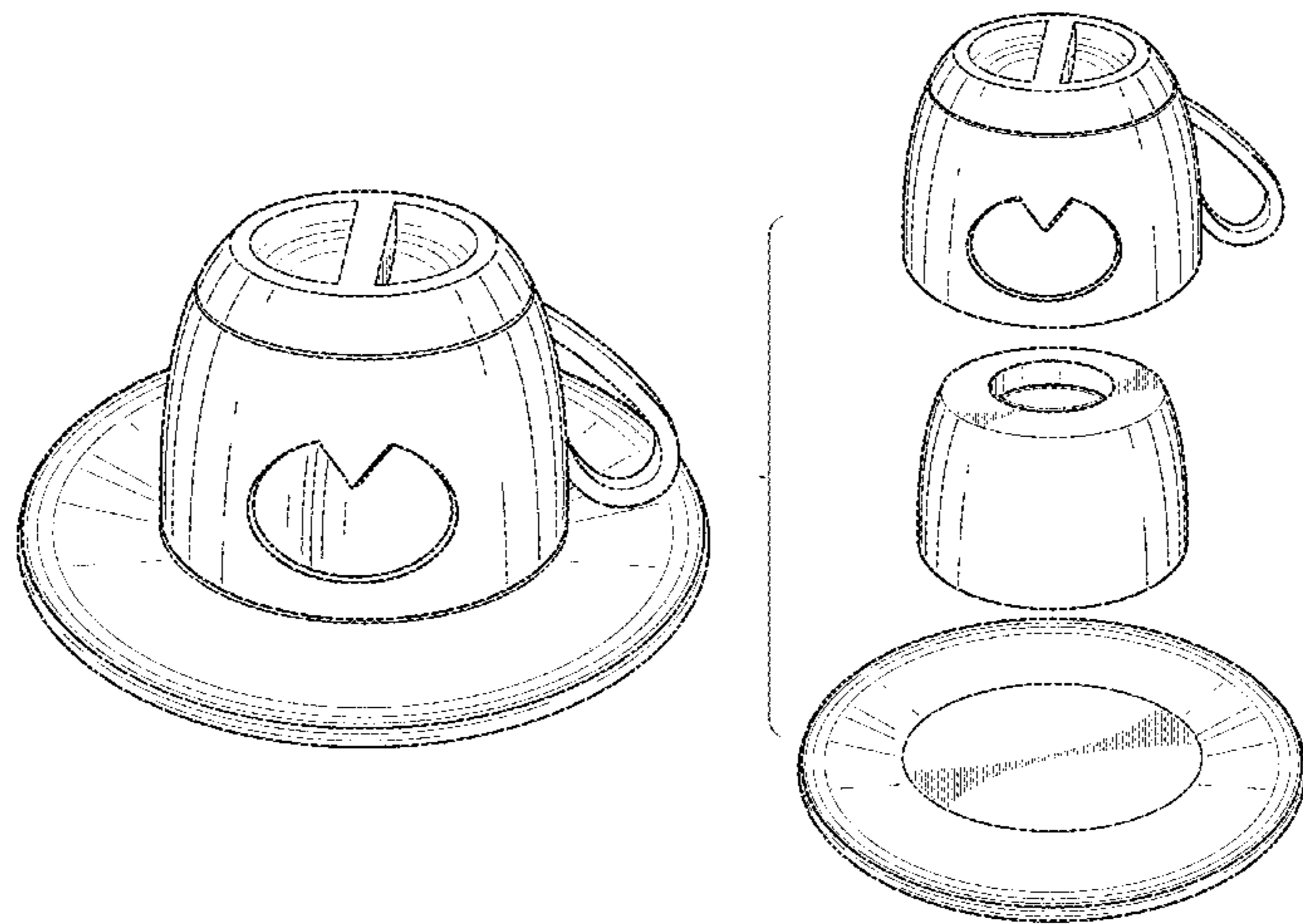
(57) **CLAIM**

The ornamental design for a brew time indicating device, as shown and described.

DESCRIPTION

FIG. 1 is a top perspective view showing our new brew time indicating device;
FIG. 2 is an exploded perspective view thereof, showing the various pieces;
FIG. 3 is front view thereof;
FIG. 4 is a back view thereof;
FIG. 5 is a left side view thereof;
FIG. 6 is a right side view thereof.
FIG. 7 is a top view thereof; and,
FIG. 8 is a bottom view thereof.
The broken lines in the drawings show portions of the brew time indicating device that form no part of the claimed design.

1 Claim, 5 Drawing Sheets



(56)

References Cited

U.S. PATENT DOCUMENTS

6,013,901 A * 1/2000 Lavoie A47G 19/2227
219/432
D449,232 S * 10/2001 Ancona D10/40
D510,878 S * 10/2005 Sellers D10/40
D534,085 S * 12/2006 McDonough D10/40
D674,661 S * 1/2013 Shevin-Sandy D10/2

OTHER PUBLICATIONS

Timer Teacup | posted by Ben Hastings at coroflot.com May 2012
[online][site visited Jul. 31, 2018]. Available from internet: <<https://www.coroflot.com/benhastings/Timer-Teacup>> (Year: 2012).*

Cup Saucer Kitchen Timer | © 2015-2017 keepitPromo [online][site
visited Jul. 27, 2018] <<https://keepitpromo.com/index.php/en/promotional-apparel-clothing-with-logo/promotional-clocks-and-watches-with-logo-innprint/promotional-kitchen-timers-with-logo-print/Cup-and-Saucer-Shaped-Kitchen-Timer-detail>> (Year: 2018).*

* cited by examiner

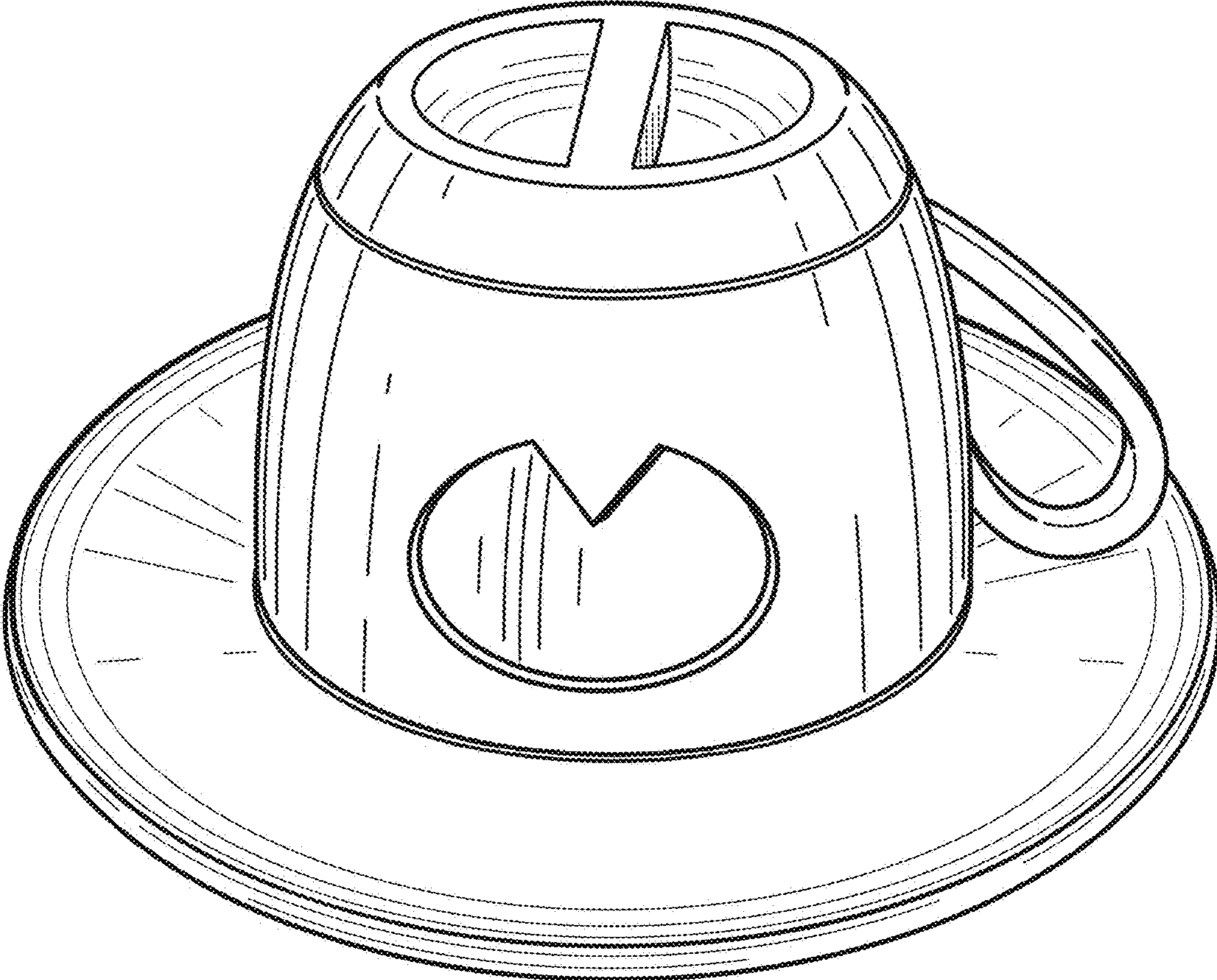


FIG. 1

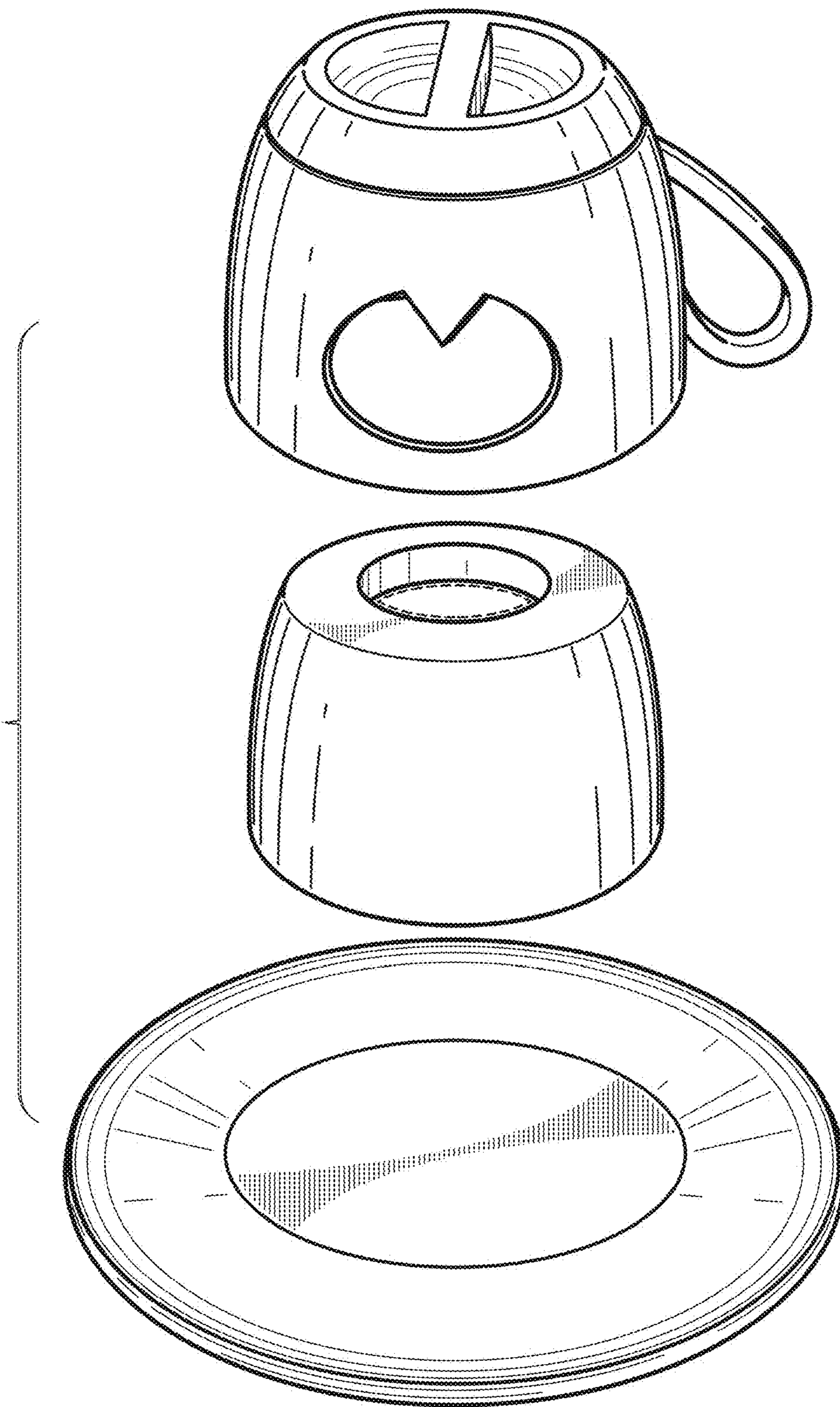


FIG. 2

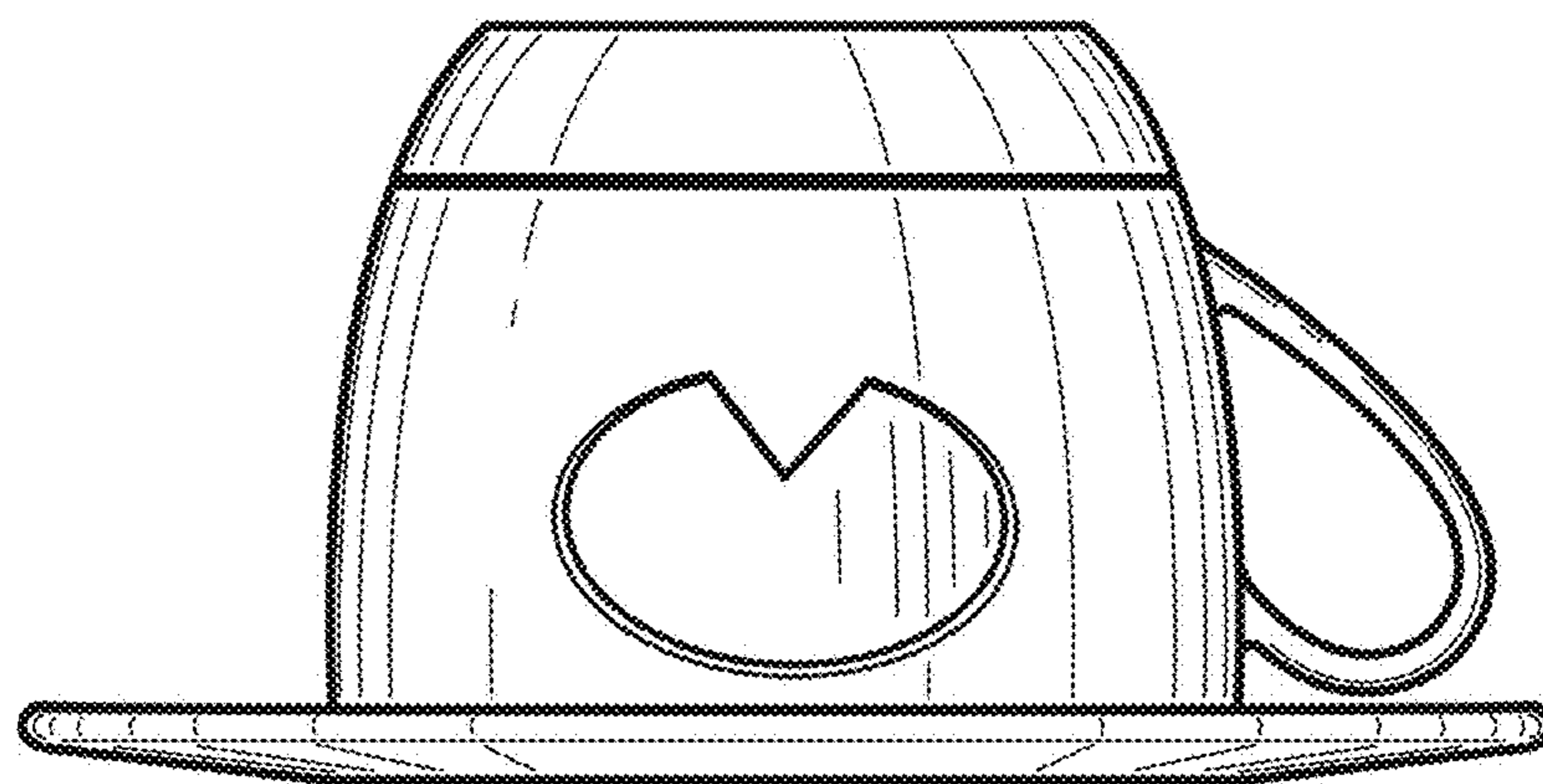


FIG. 3

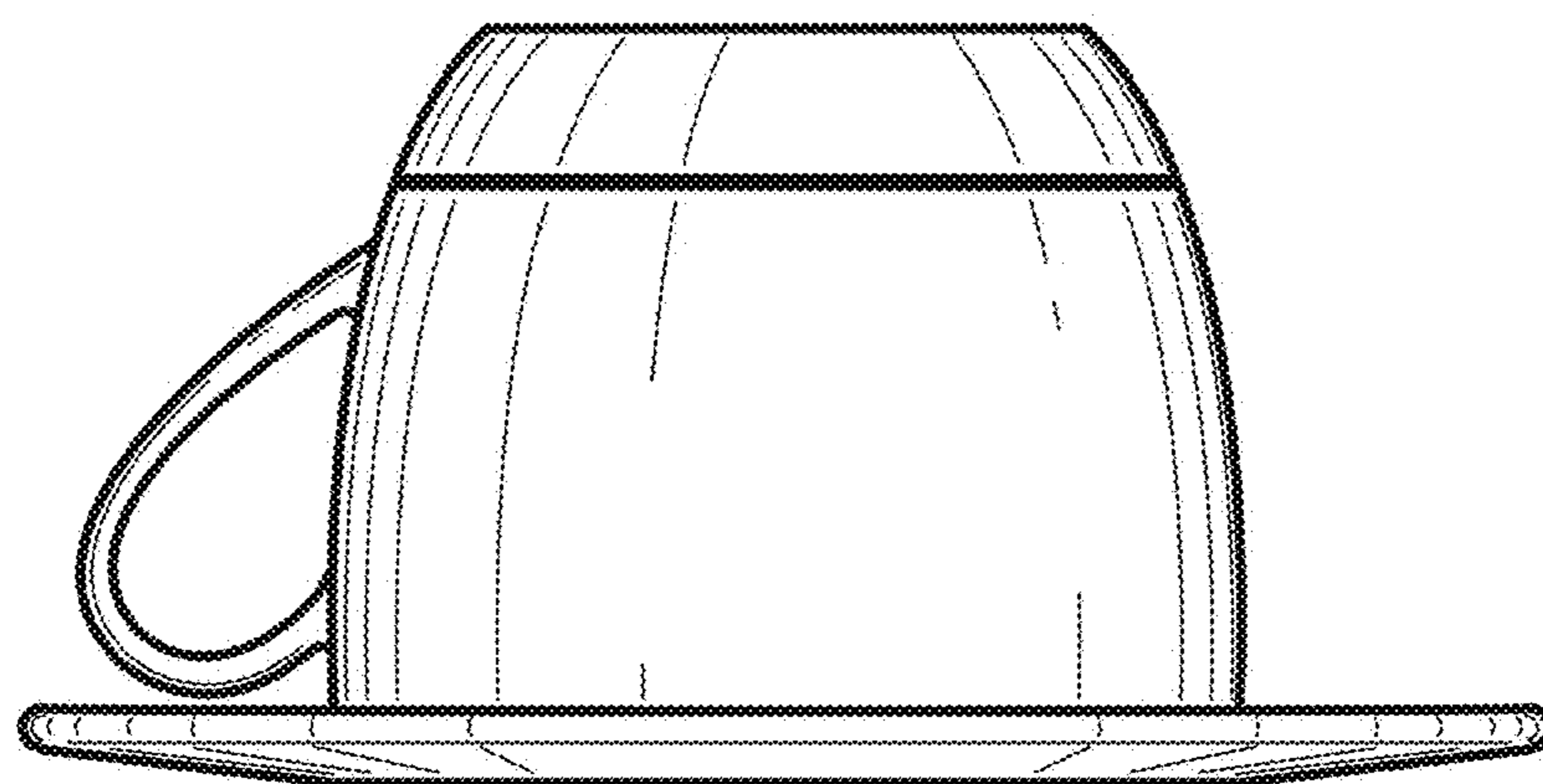


FIG. 4

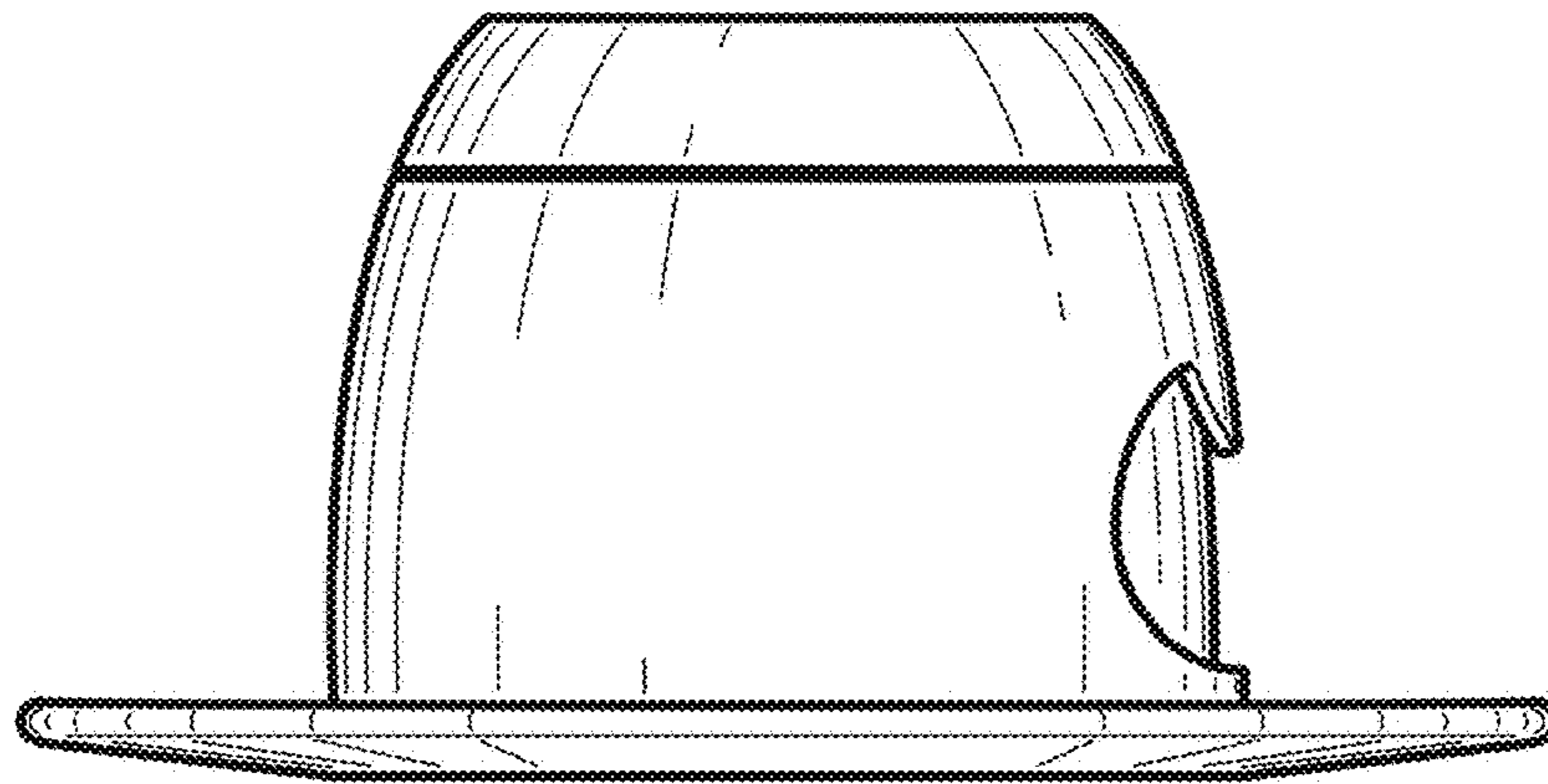


FIG. 5

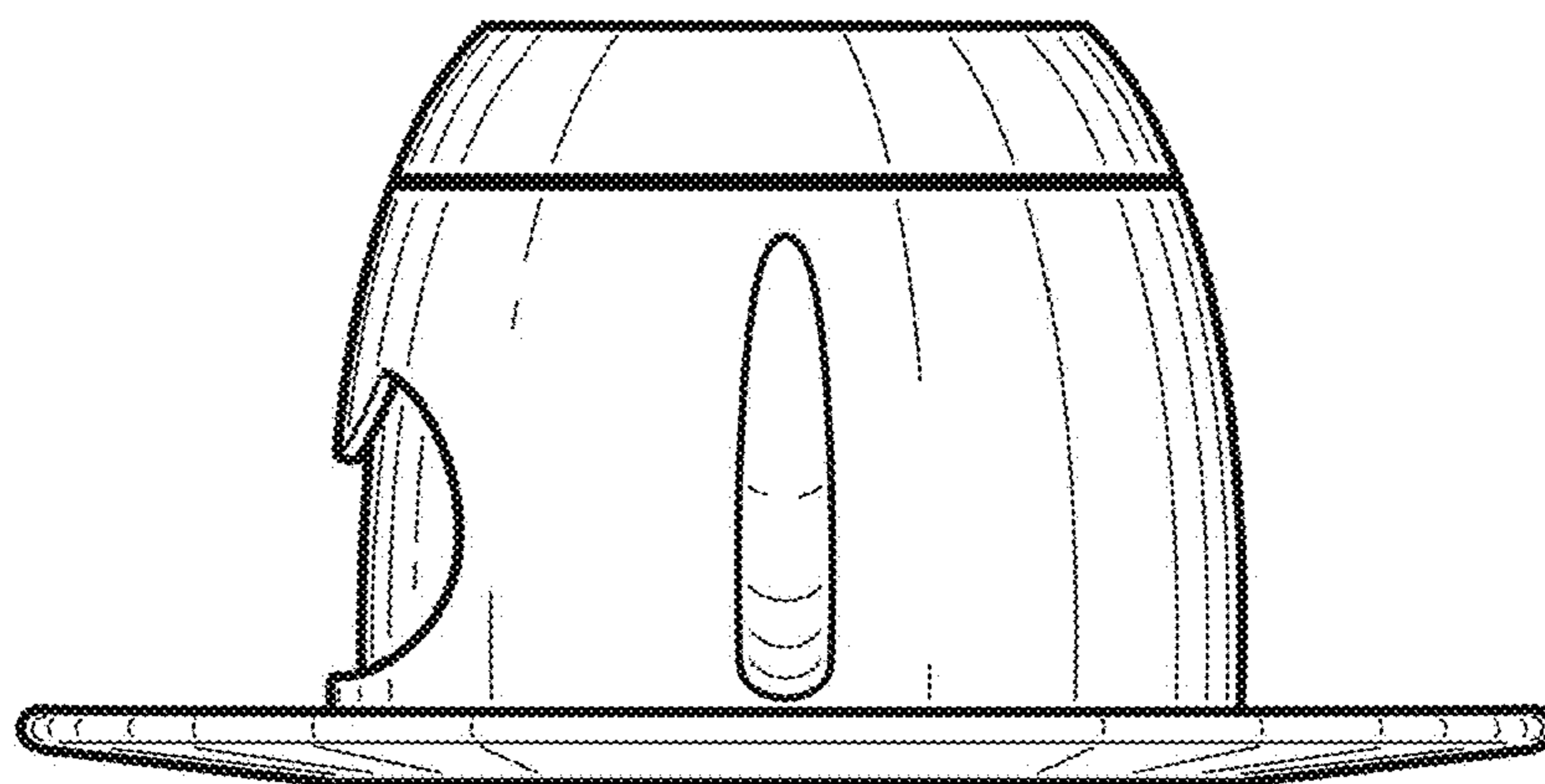


FIG. 6

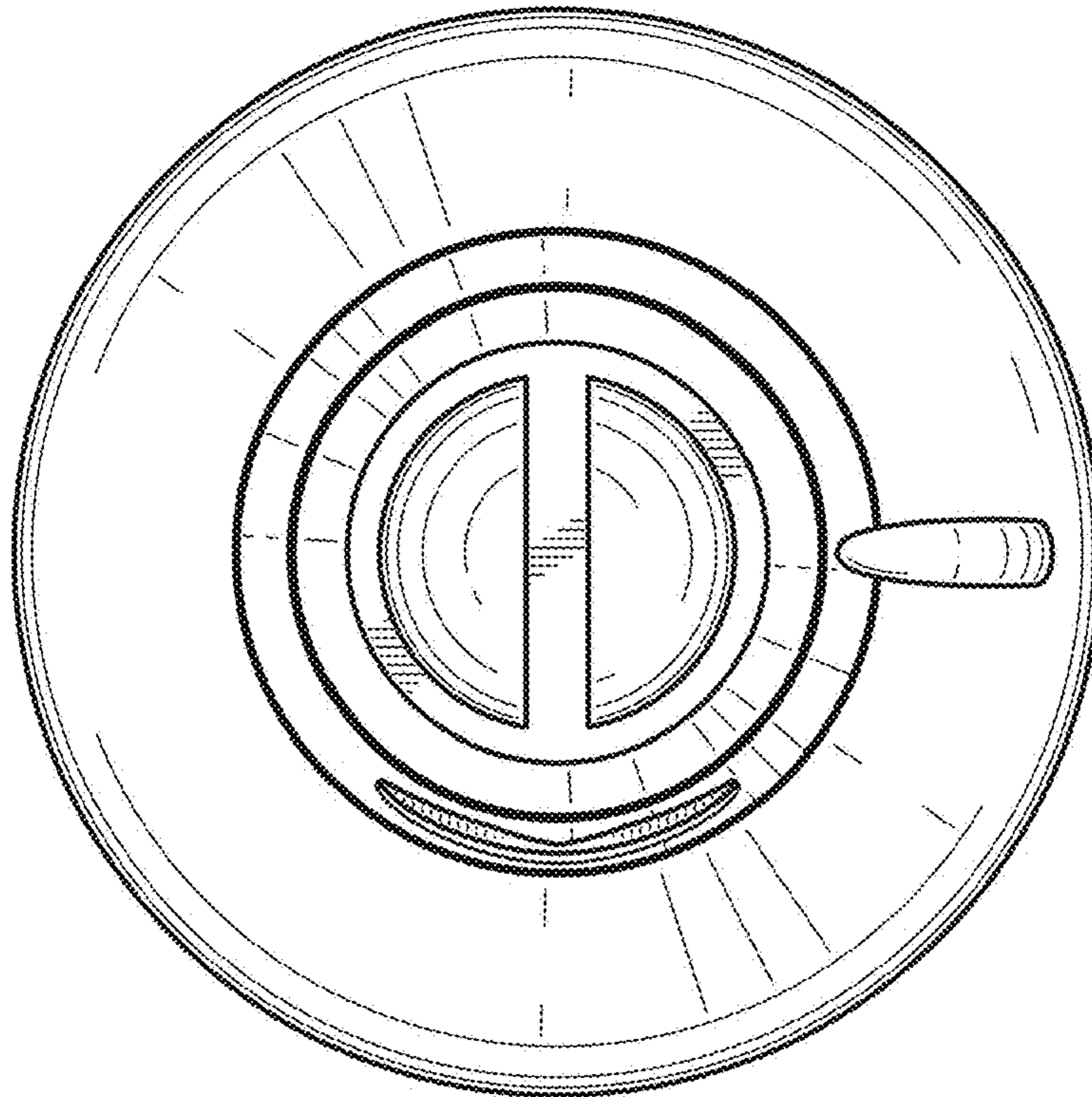


FIG. 7

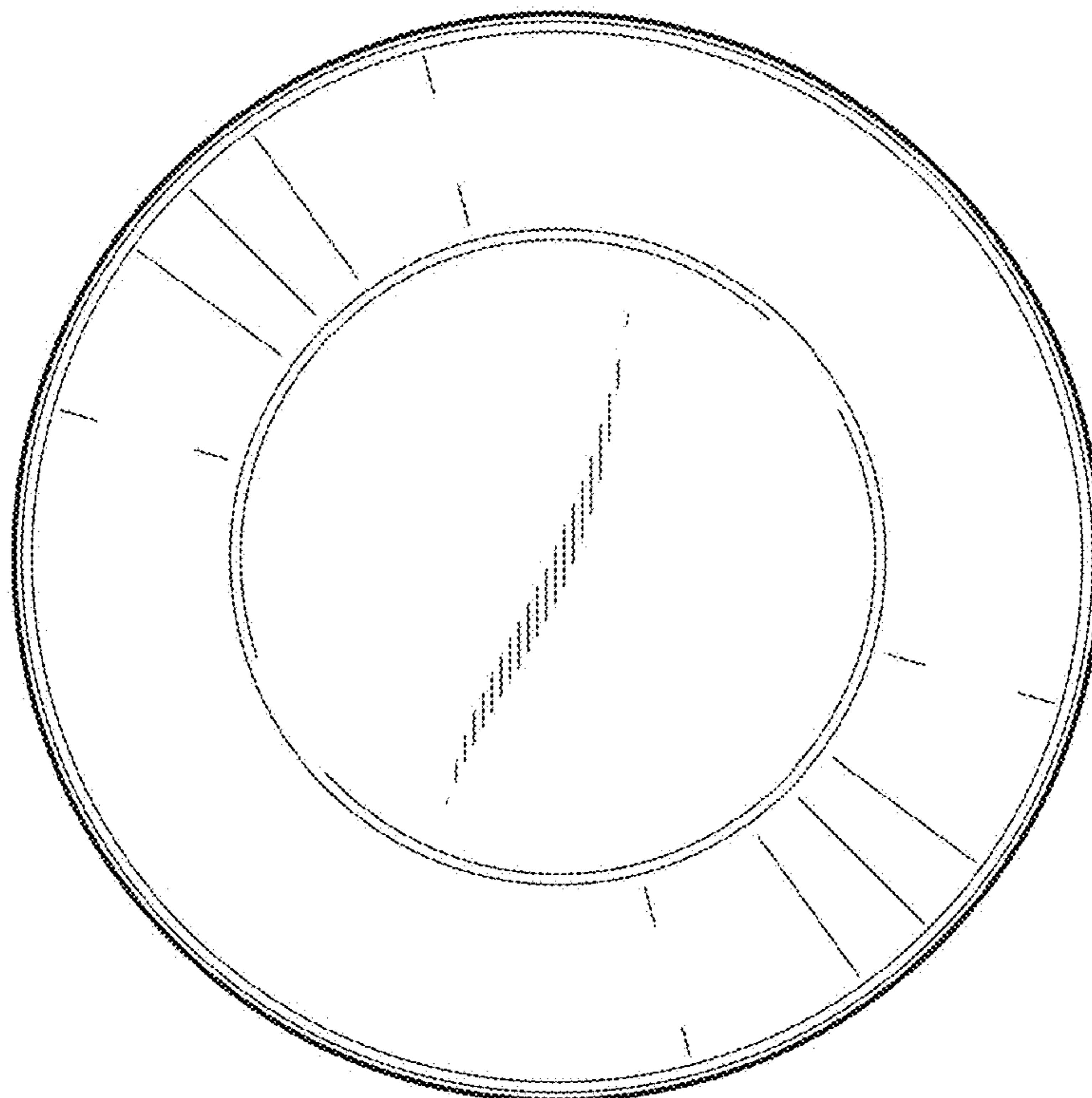


FIG. 8