



US00D843851S

(12) **United States Design Patent**
Manzoni

(10) **Patent No.:** **US D843,851 S**

(45) **Date of Patent:** **** Mar. 26, 2019**

- (54) **WATCH CASE**
- (71) Applicant: **HUBLLOT SA, Genève, Genève (CH)**
- (72) Inventor: **Flavio Manzoni, Modena (IT)**
- (73) Assignee: **HUBLLOT SA, Genève, Genève (CH)**
- (**) Term: **15 Years**
- (21) Appl. No.: **29/613,195**
- (22) Filed: **Aug. 8, 2017**

8,366,313 B2 *	2/2013	Scioscia	G04B 37/05 368/281
D704,573 S *	5/2014	Tedeschi	D10/39
D725,527 S *	3/2015	Parmigiani	D10/128
D729,638 S *	5/2015	Favre	D10/38
D734,677 S *	7/2015	Ruffieux	D10/38
D736,103 S *	8/2015	Behling	D10/30
D744,864 S *	12/2015	Behling	D10/30
D744,866 S *	12/2015	Behling	D10/126
D748,500 S *	2/2016	Schwamkrug	D10/30
D815,961 S *	4/2018	Emmenegger	D10/30
2010/0135128 A1 *	6/2010	Penula	G04B 37/0008 368/281

- (30) **Foreign Application Priority Data**
- Mar. 9, 2017 (WO) DM/095360
- (51) **LOC (11) Cl.** **10-02**
- (52) **U.S. Cl.**
- USPC **D10/30**
- (58) **Field of Classification Search**
- USPC D10/1-3, 6, 14-16, 23, 30-39, 41, 65,
D10/70, 122-132; D11/16, 40, 43, 75;
D14/171, 344
- See application file for complete search history.

* cited by examiner

Primary Examiner — Sandra S Snapp
Assistant Examiner — Katherine Glennon
 (74) *Attorney, Agent, or Firm* — Sughrue Mion, PLLC

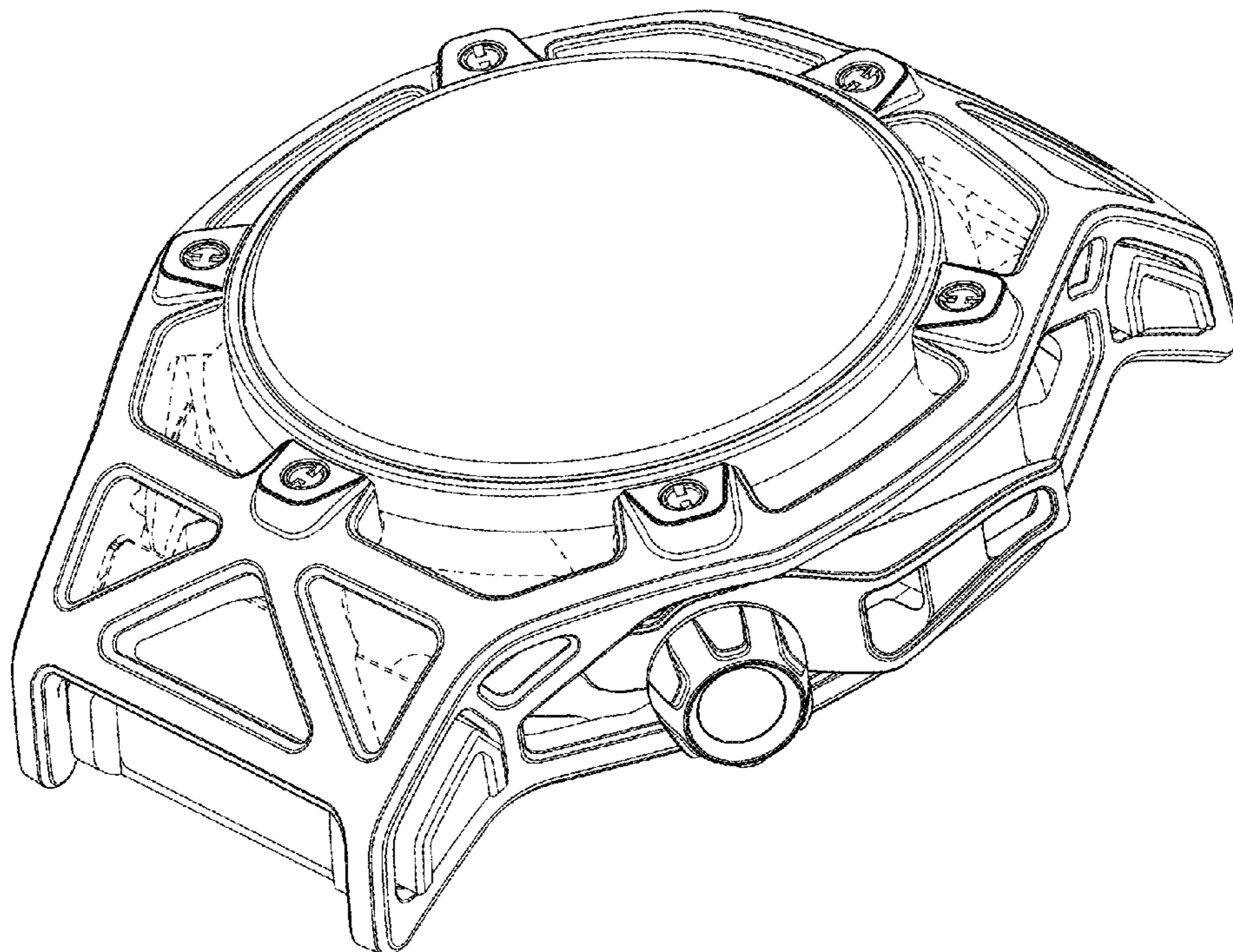
- (56) **References Cited**
- U.S. PATENT DOCUMENTS
- 2,342,804 A * 2/1944 Hiller G04B 37/005
224/169
- D391,863 S * 3/1998 Houlihan D10/30
- D544,372 S * 6/2007 Seyr D10/32
- D578,902 S * 10/2008 Hoshino D10/128
- D578,922 S * 10/2008 Hoshino D10/128

(57) **CLAIM**
 The ornamental design for a watch case, as shown and described.

DESCRIPTION

FIG. 1 is a top, front and side perspective view of a watch case showing my new design;
 FIG. 2 is a front elevational view thereof;
 FIG. 3 is a rear elevational view thereof;
 FIG. 4 is a left side elevational view thereof;
 FIG. 5 is a right side elevational view thereof;
 FIG. 6 is a top plan view thereof; and,
 FIG. 7 is a bottom plan view.
 The portions depicted by broken lines are shown for illustrative purposes only and form no part of the claimed design.

1 Claim, 7 Drawing Sheets



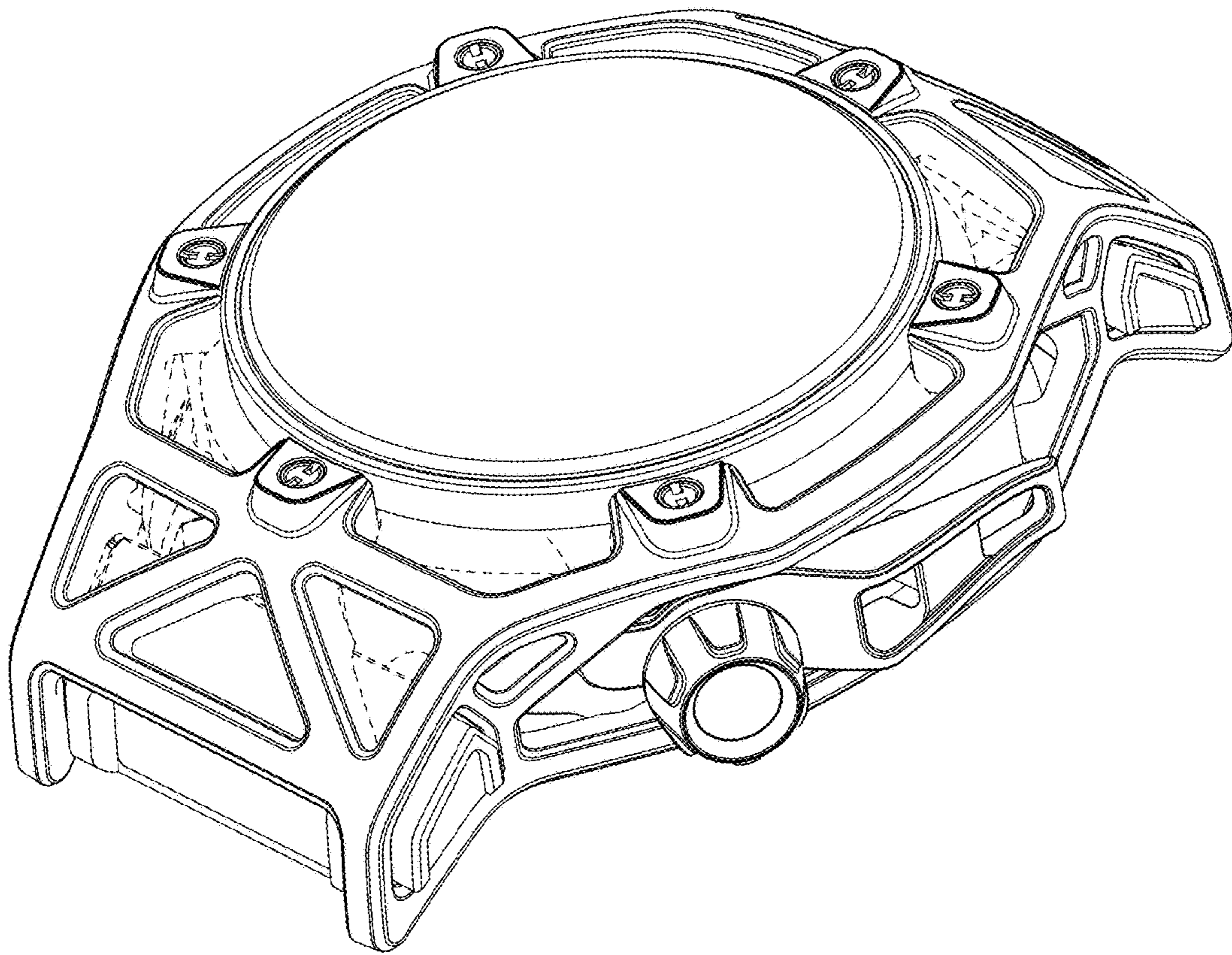


FIG. 1

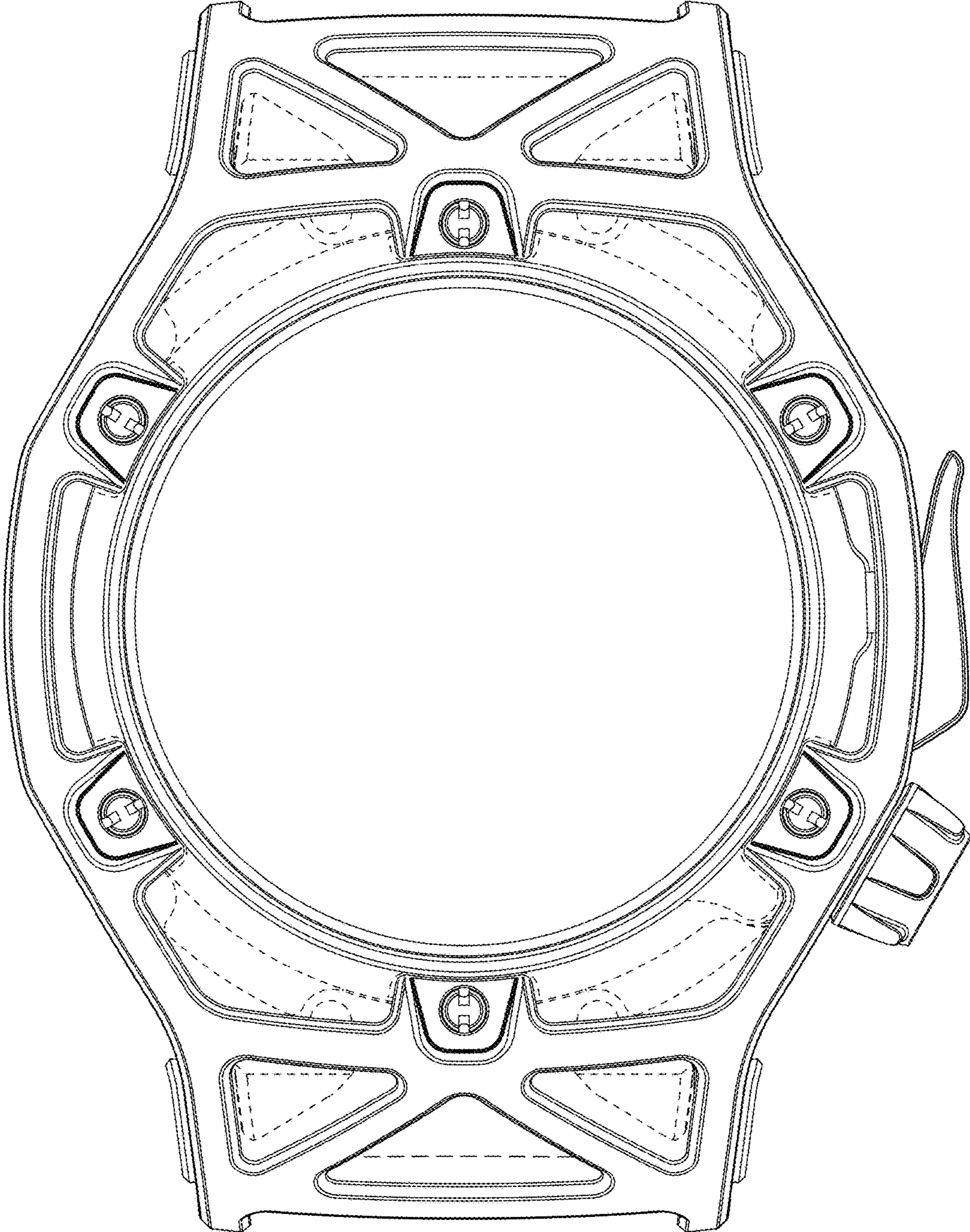


FIG. 2

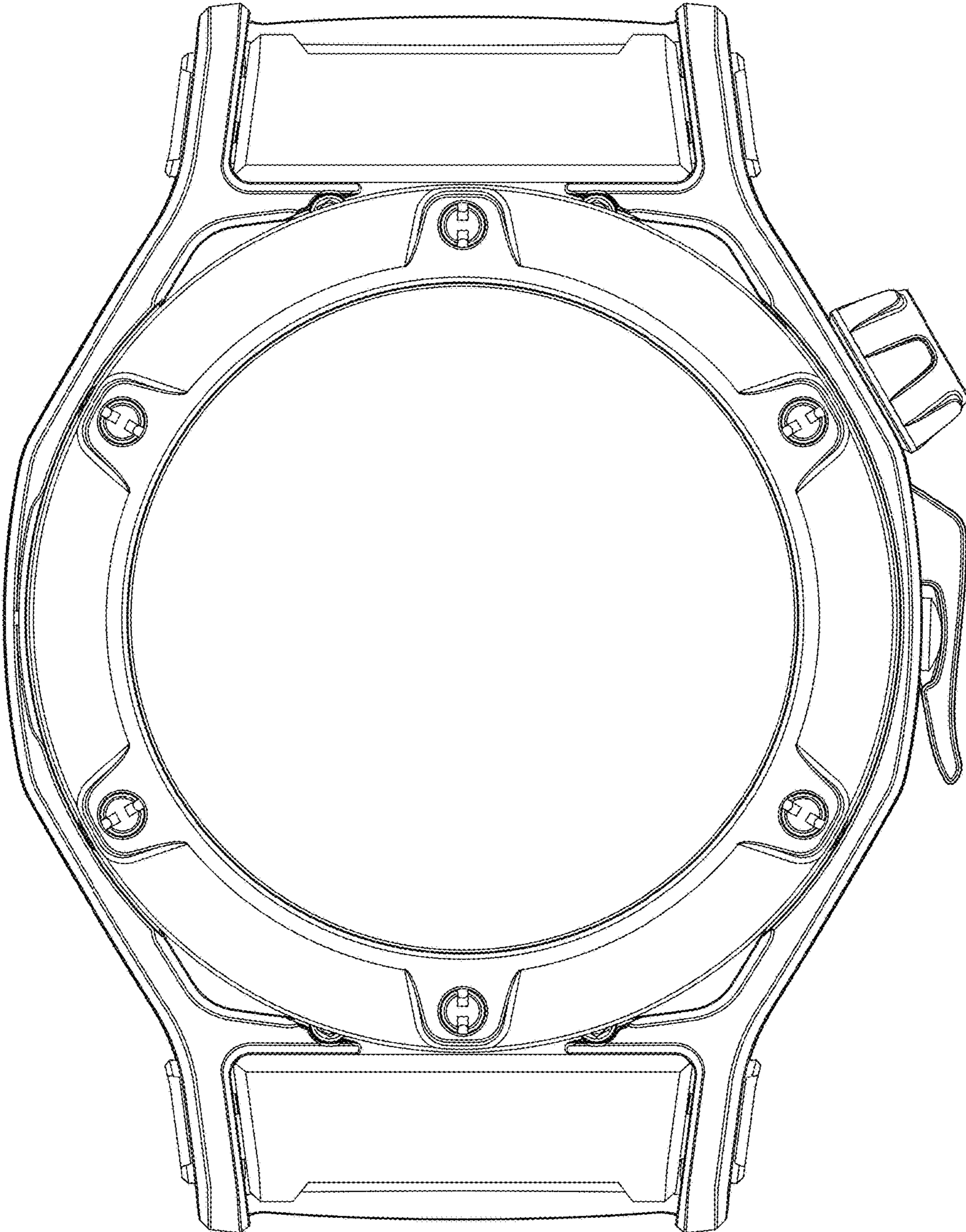


FIG. 3

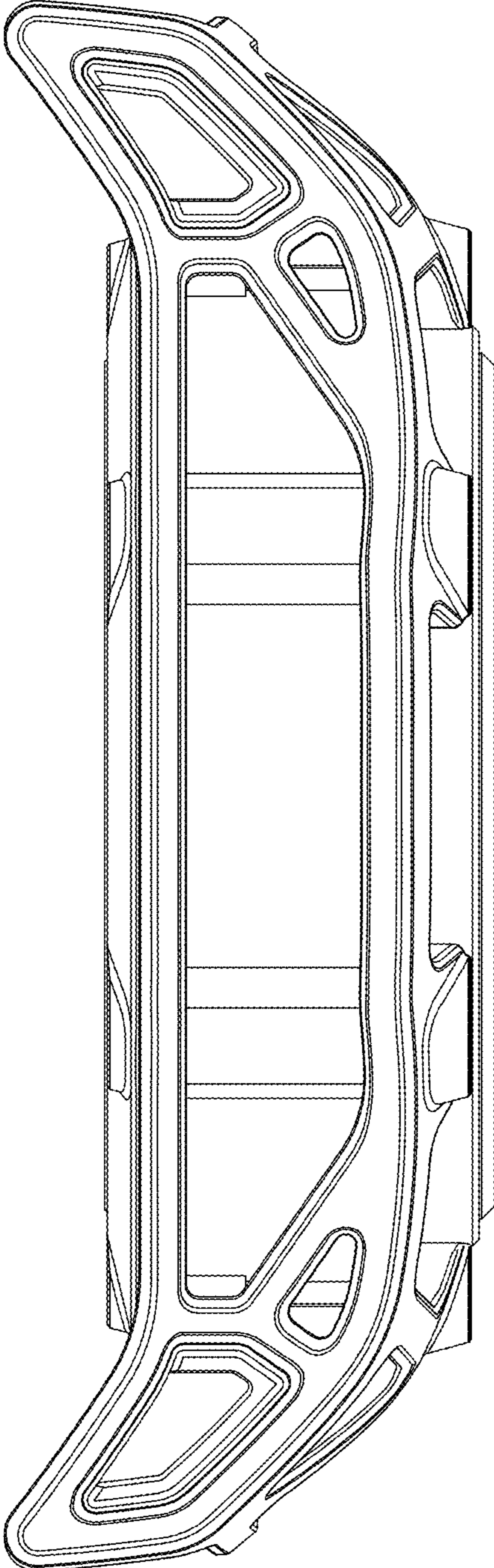


FIG. 4

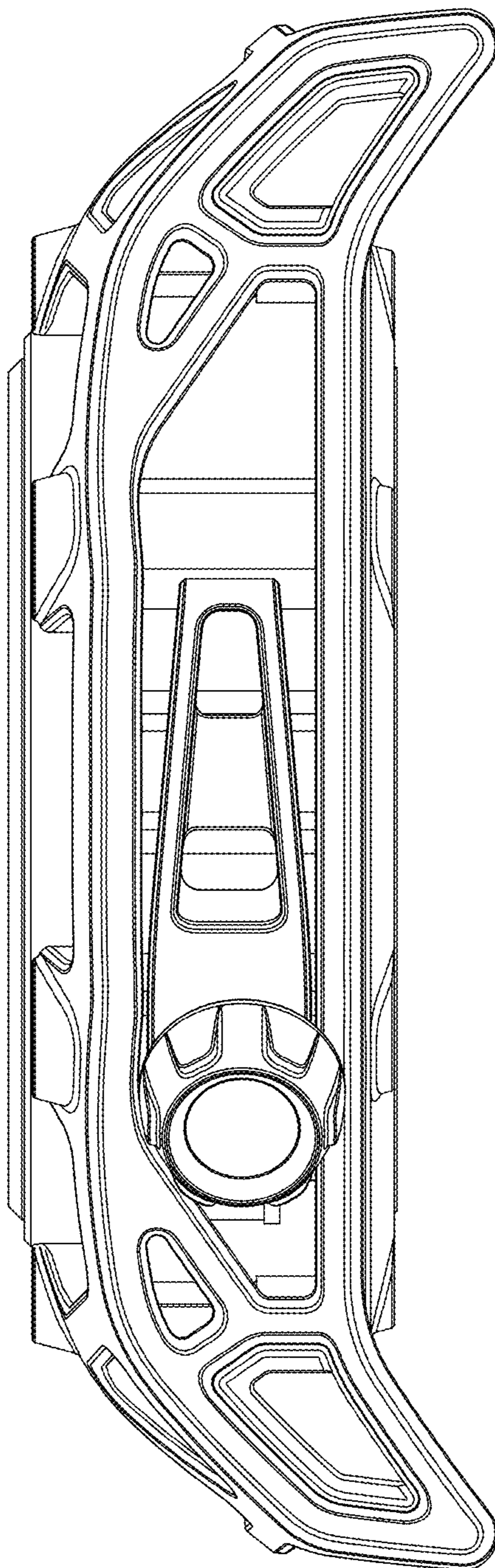


FIG. 5

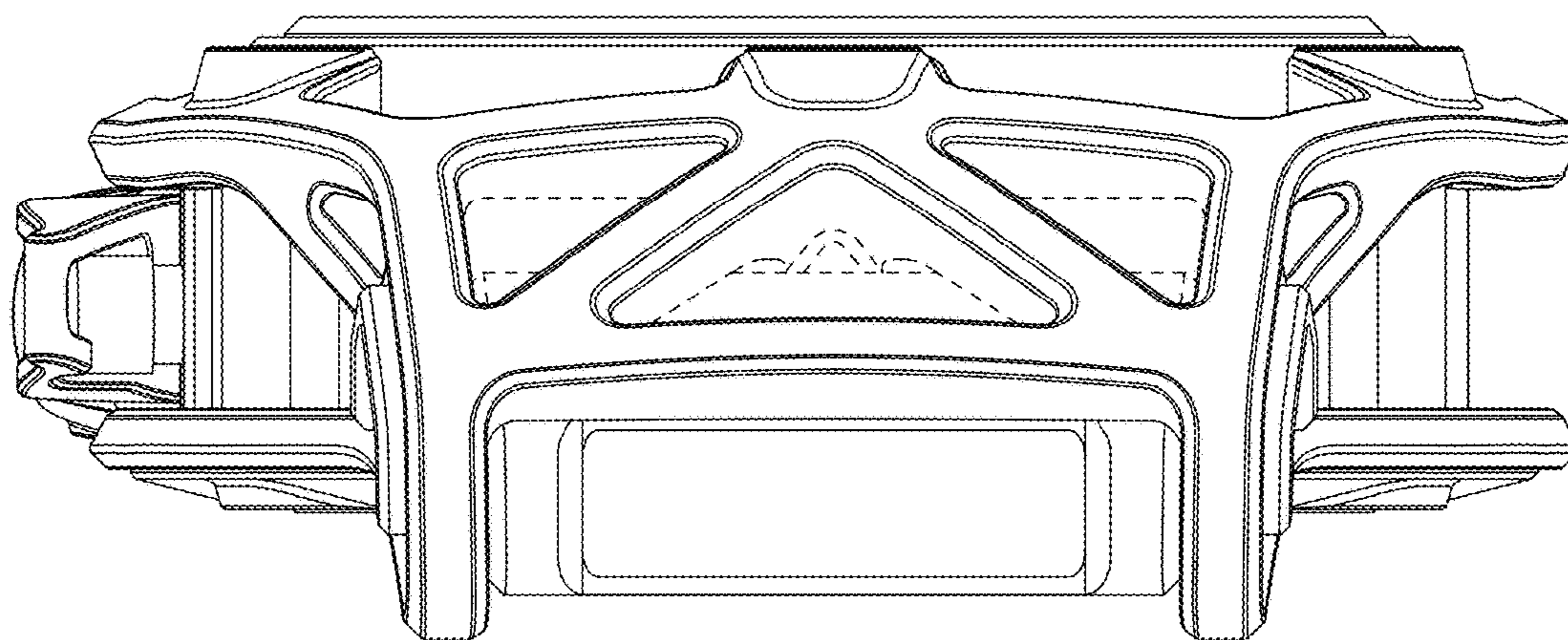


FIG. 6

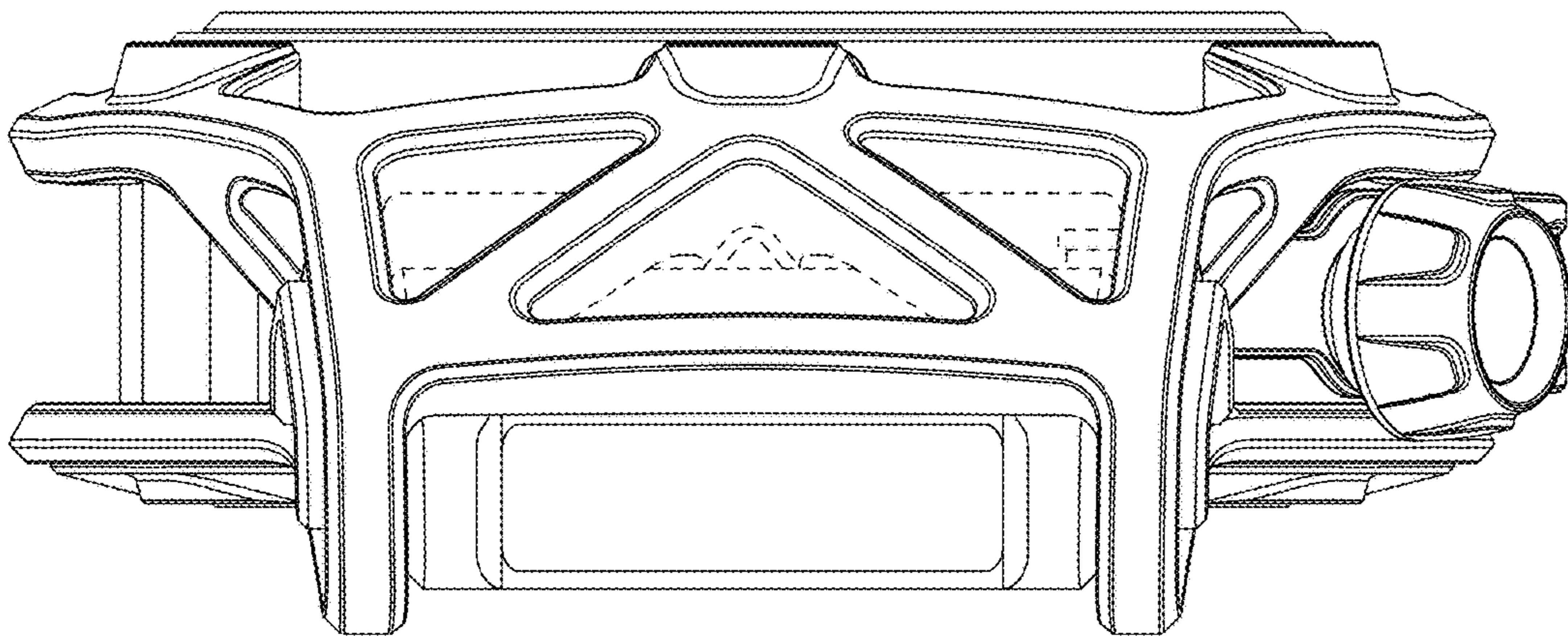


FIG. 7