



US00D843850S

(12) **United States Design Patent**
LoPrete et al.

(10) **Patent No.:** **US D843,850 S**
(45) **Date of Patent:** **** Mar. 26, 2019**

(54) **DRUG PACKAGE**

(71) Applicant: **Amicus Therapeutics, Inc.**, Cranbury, NJ (US)

(72) Inventors: **Jeffrey LoPrete**, Cranbury, NJ (US);
Muzammil Mustufa, Cranbury, NJ (US); **Jayne Gershkowitz**, Cranbury, NJ (US)

(73) Assignee: **Amicus Therapeutics, Inc.**, Cranbury, NJ (US)

(**) Term: **15 Years**

(21) Appl. No.: **29/585,388**

(22) Filed: **Nov. 23, 2016**

(51) **LOC (11) Cl.** **09-01**

(52) **U.S. Cl.**
USPC **D9/732; D9/756; D9/432**

(58) **Field of Classification Search**
USPC D9/414-419, 420-423, 424-429,
D9/430-434, 456, 457, 721-722,
D9/732-734, 737, 756, 759, 761;
D20/10, 22, 27, 28, 40, 42
CPC B65D 5/00; B65D 5/0015; B65D 5/061;
B65D 5/18; B65D 5/20; B65D 5/32;
B65D 5/321; B65D 5/322
See application file for complete search history.

(56) **References Cited**

U.S. PATENT DOCUMENTS

D263,559 S *	3/1982	Poore	D9/415
D339,742 S *	9/1993	Walchek, Jr.	D3/203.3
D441,192 S *	5/2001	Park	D3/294
D478,810 S *	8/2003	Wilson	D9/415
D505,320 S *	5/2005	Gattefosse	D9/430
D539,166 S *	3/2007	Spencer	D9/732
D546,198 S *	7/2007	Currie	D9/732
D599,654 S *	9/2009	Kosaka	D9/415

D622,158 S *	8/2010	Proulx	D9/732
D658,069 S *	4/2012	Boyer	D9/433
D702,116 S *	4/2014	Buchanan	D9/416
D723,390 S *	3/2015	Eriksson	D9/732
D770,303 S *	11/2016	Gelbaum	D9/732
D795,083 S *	8/2017	Safullin	D9/756
D806,570 S *	1/2018	Gelbaum	D9/732

FOREIGN PATENT DOCUMENTS

WO 2015/164210 A1 10/2015

OTHER PUBLICATIONS

MWV introduces Shellpak Renew with Optilock. [online] Published on Dec. 23, 2014. Retrieved Mar. 8, 2018 from URL: https://www.businesswire.com/news/home/20130808005877/en/MWV-introduces-Shellpak%C2%AE-Renew-Optilock%E2%84%A2-technology-smallest.*

(Continued)

Primary Examiner — Vy N Koenig

(74) *Attorney, Agent, or Firm* — Servilla Whitney LLC

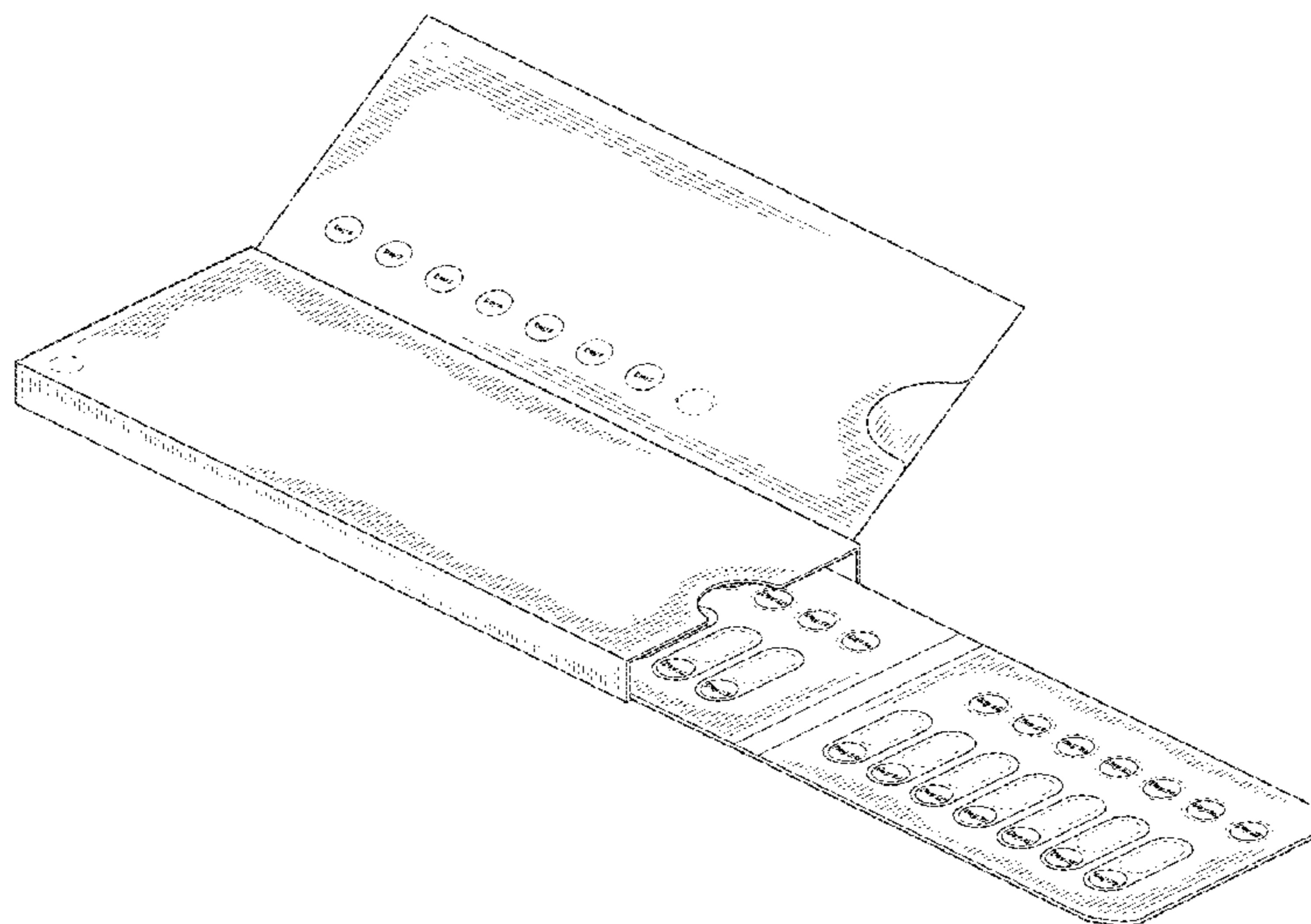
(57) **CLAIM**

The ornamental designs for a drug package, substantially as shown and described.

DESCRIPTION

FIG. 1 is a front top right perspective view of a drug package showing our new design;
FIG. 2 is a back top left perspective view thereof;
FIG. 3 is a top view thereof;
FIG. 4 is a bottom view thereof;
FIG. 5 is a front view thereof;
FIG. 6 is a back view thereof;
FIG. 7 is a right view thereof; and,
FIG. 8 is a left view thereof.
The broken lines depict environmental subject matter only and form no part of the claimed design.

1 Claim, 7 Drawing Sheets



(56)

References Cited

OTHER PUBLICATIONS

MWV introduces Shellpak Renew with Optilock. [online] Published on Dec. 23, 2014. Retrieved Mar. 8, 2018 from URL: <https://www.businesswire.com/news/home/20130808005877/en/MWV-introduces-Shellpak%C2%AE-Renew-Optilock%E2%84%A2-technology-smallest>.

“Amicus Therapeutics Announces European Commission Approval for Galafold™ (Migalastat) in Patients with Fabry Disease in European Union”, Amicus Therapeutics Press Release, May 31, 2016, 3 pages.

File History for U.S. Appl. No. 29/605,763, 34 pages.

Galafold 123 mg Packaging in German, May 30, 2016, 2 pages.

NDA 208623 Accelerated Approval Letter and Labeling, Aug. 10, 2018, 40 pages.

* cited by examiner

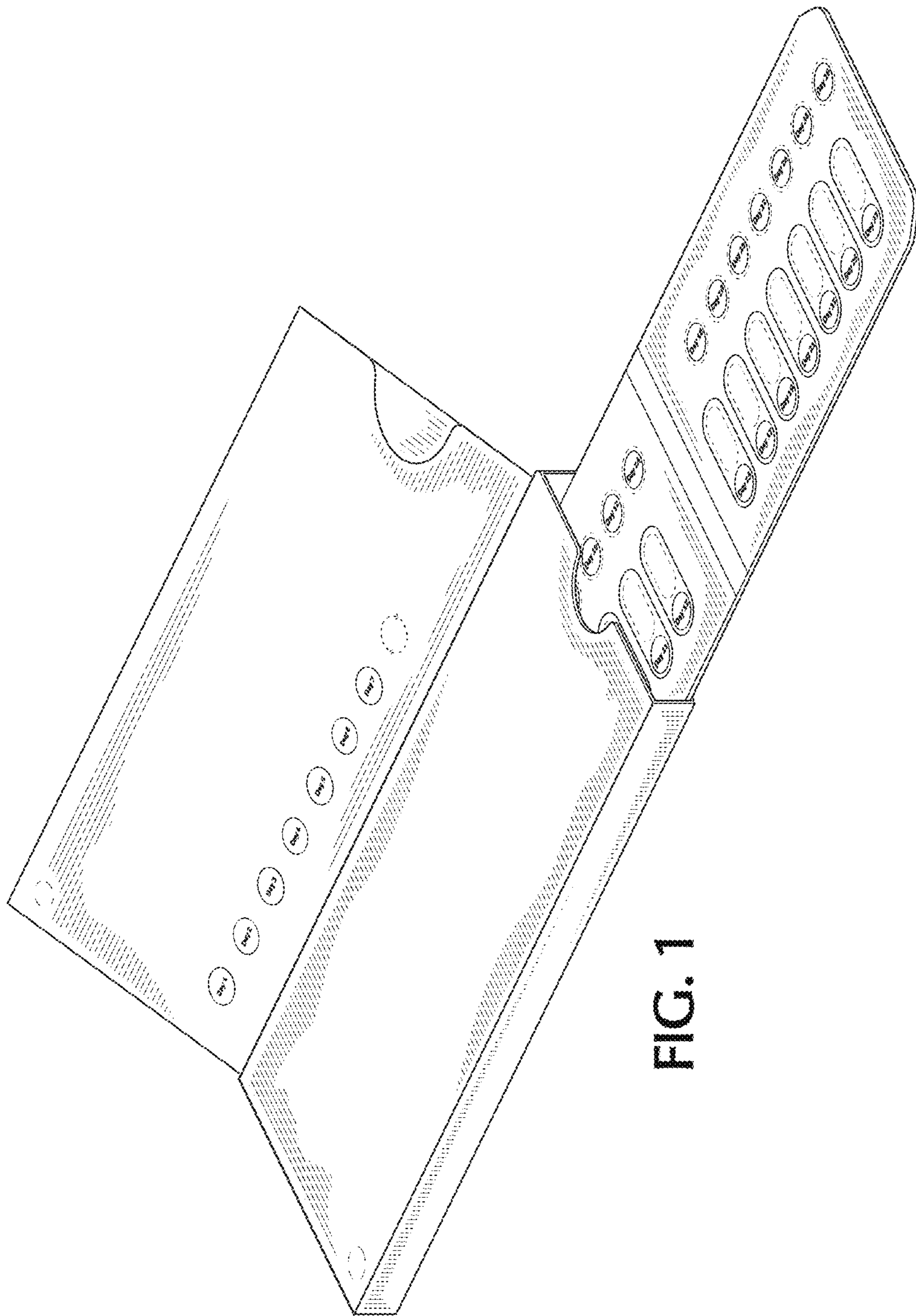


FIG. 1

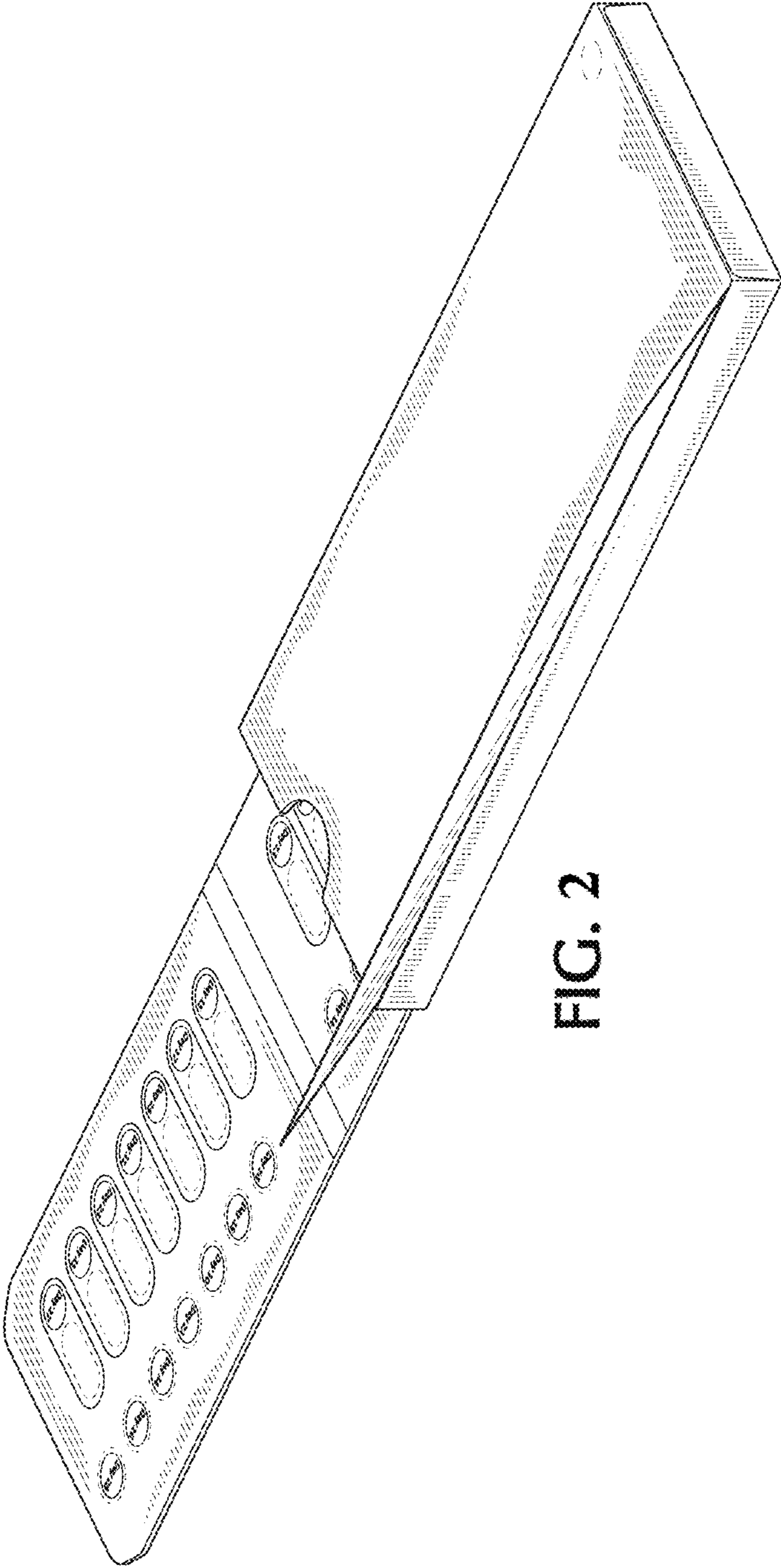


FIG. 2

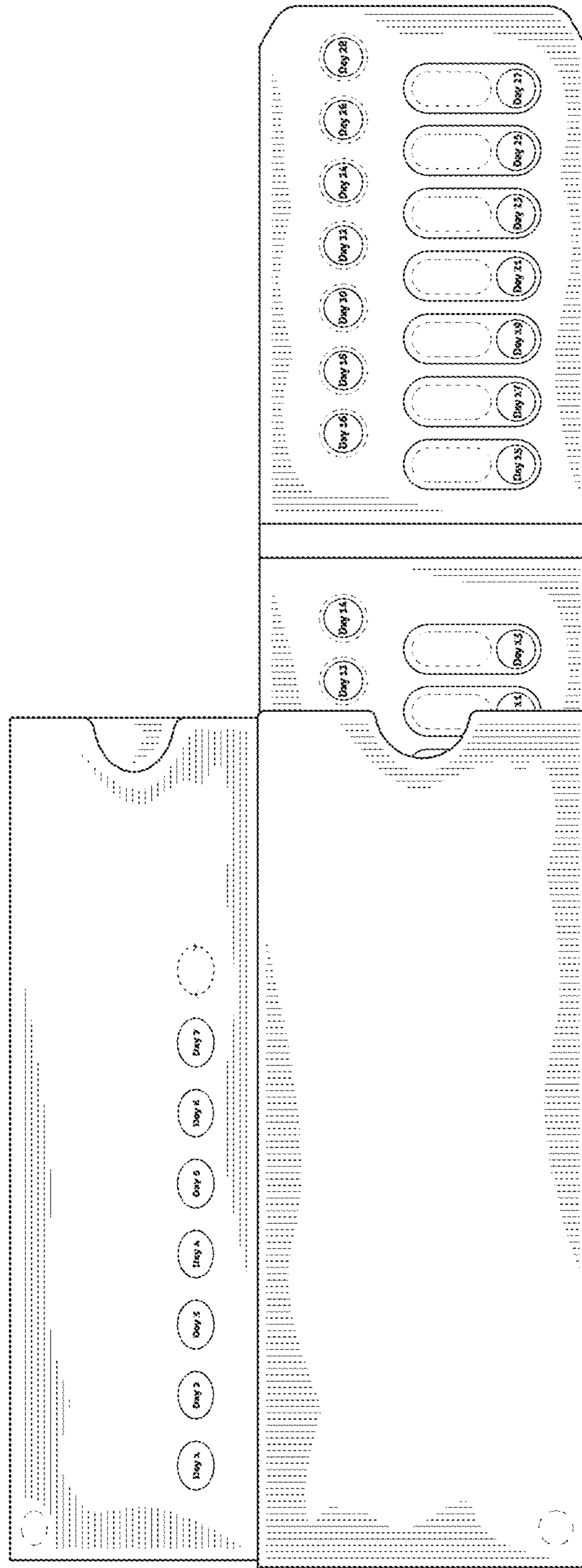


FIG. 3

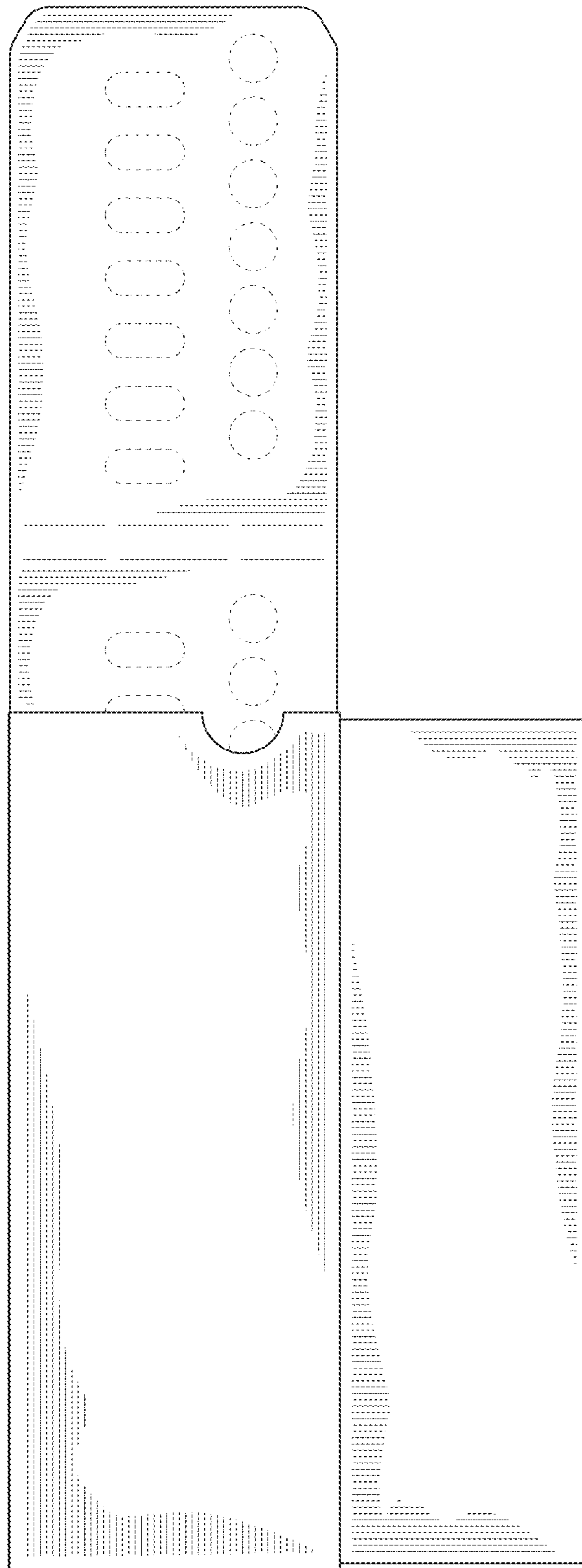


FIG. 4

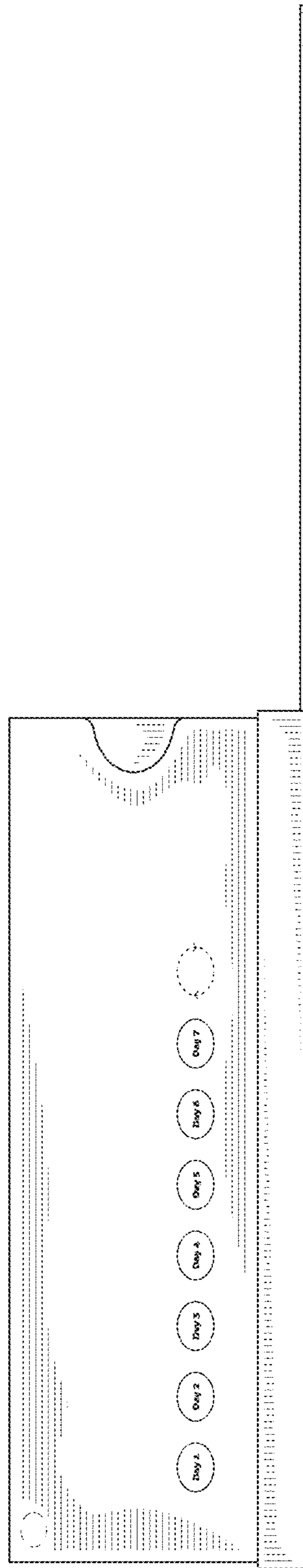


FIG. 5

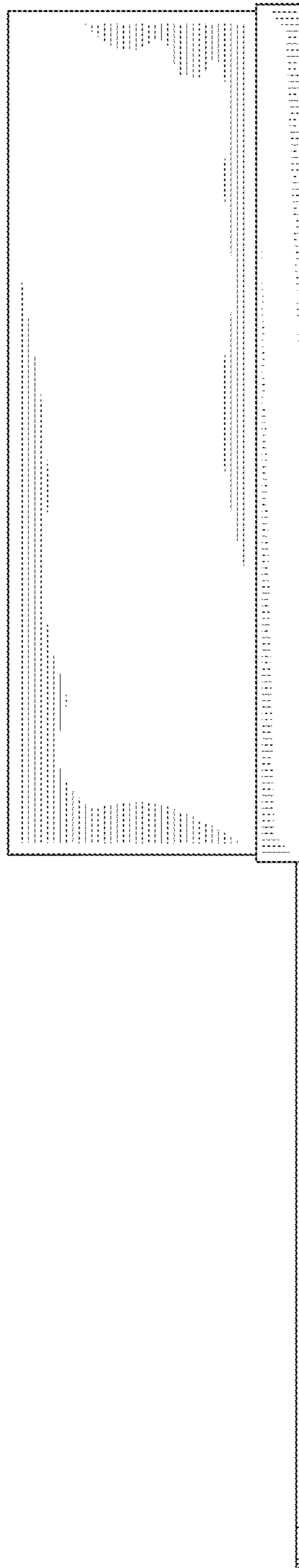


FIG. 6

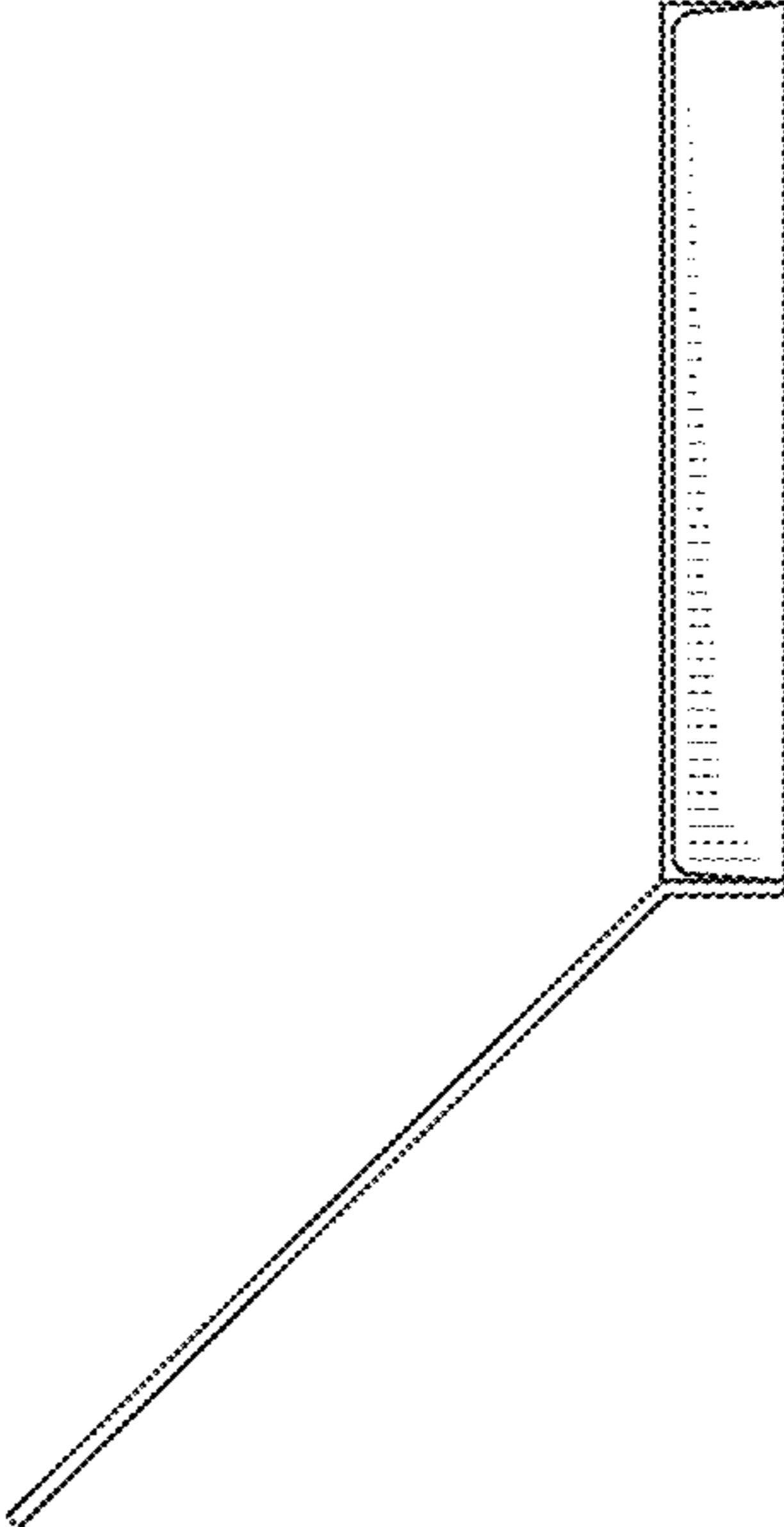


FIG. 7

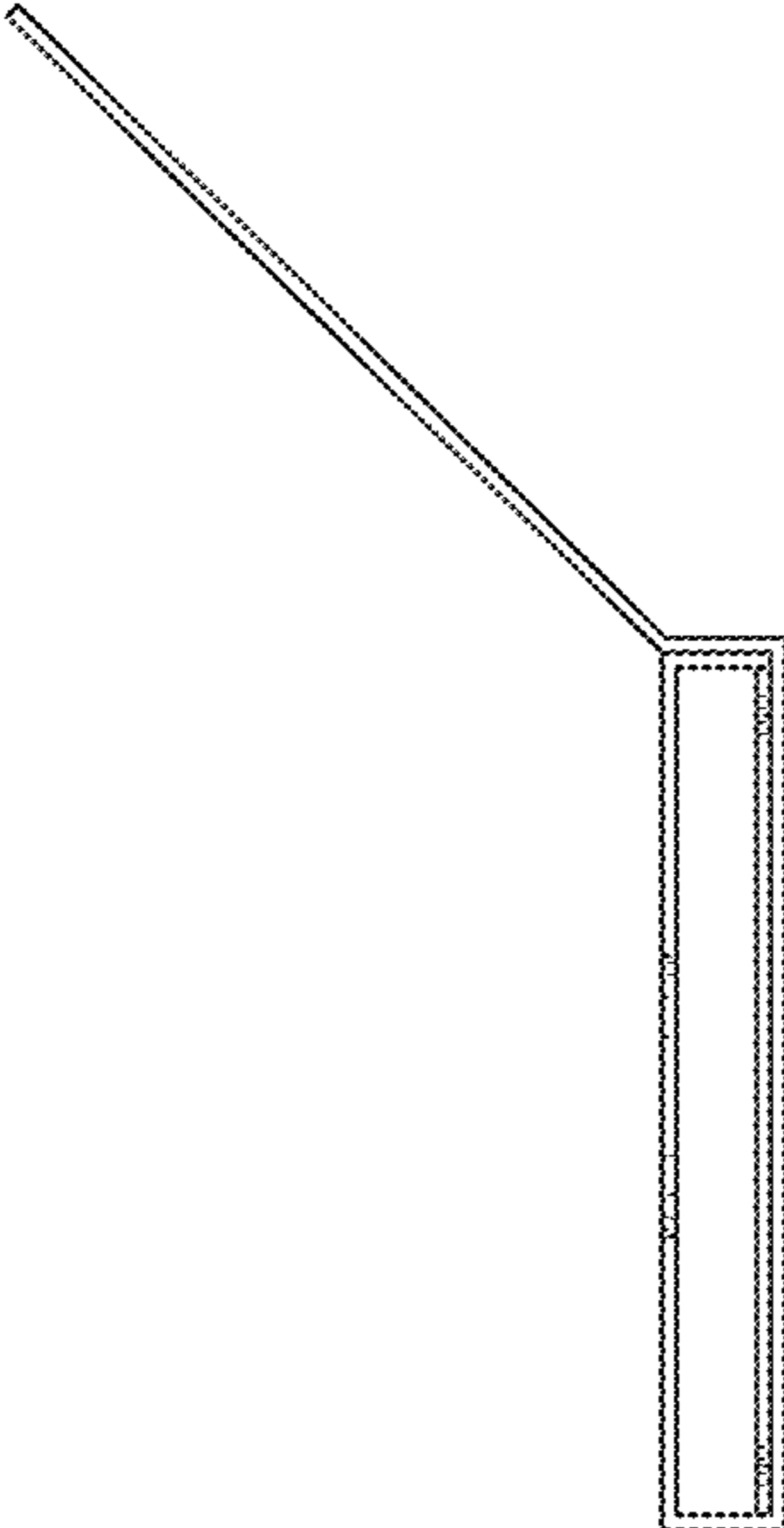


FIG. 8