



US00D843845S

(12) **United States Design Patent**
Sutherland

(10) **Patent No.:** **US D843,845 S**

(45) **Date of Patent:** **** Mar. 26, 2019**

(54) **DISPENSING DEVICE**

(71) Applicant: **Spencer D. Sutherland**, Carlsbad, CA
(US)

(72) Inventor: **Spencer D. Sutherland**, Carlsbad, CA
(US)

(73) Assignee: **Spencer Sutherland**, Carlsbad, CA
(US)

(**) Term: **15 Years**

(21) Appl. No.: **29/614,995**

(22) Filed: **Aug. 24, 2017**

(51) **LOC (11) Cl.** **09-05**

(52) **U.S. Cl.**
USPC **D9/695**

(58) **Field of Classification Search**
USPC D9/702-714, 761, 731, 414, 418,
D9/430-432, 520-521, 438, 695-699,
D9/416, 737; D7/590, 600.1; 215/328;
222/92, 105, 215, 145.1, 95, 183, 107;
383/9, 22, 59-60, 901, 207, 209;
D24/118, 108, 207, 104; 128/114.1,
128/DIG. 24; D28/8.1, 4, 5; 239/34;
510/192, 194, 220
CPC B65D 75/00; B65D 75/40; B65D 75/44;
B65D 75/527; B65D 1/00; B65D 1/02;
B65D 1/0223; B65D 1/20; B65D 81/00;
B65D 81/32; B65D 81/3205; B65D
2501/0009; B65D 2501/0081

See application file for complete search history.

(56) **References Cited**

U.S. PATENT DOCUMENTS

D407,640 S *	4/1999	Nelson	D28/8.1
D658,505 S *	5/2012	Garneau	D9/702
D703,063 S *	4/2014	Garrity	D9/695
D741,725 S *	10/2015	Gerhards	D9/707
D742,248 S *	11/2015	Burton	D9/710
D783,411 S *	4/2017	Sutherland	D9/695
D819,452 S *	6/2018	Chang	D9/707

* cited by examiner

Primary Examiner — Abraham Bahta

(74) *Attorney, Agent, or Firm* — K&L Gates LLP; Louis C. Cullman; Georgia N. Kefallinos

(57) **CLAIM**

The ornamental design for a dispensing device, as shown and described.

DESCRIPTION

FIG. 1 is a perspective view of a dispensing device illustrating my new design.
FIG. 2 is a top view of the dispensing device in FIG. 1.
FIG. 3 is a bottom view of the dispensing device in FIG. 1.
FIG. 4 is a first side view of the dispensing device in FIG. 1.
FIG. 5 is a second side view of the dispensing device in FIG. 1.
FIG. 6 is a back view of the dispensing device in FIG. 1; and, FIG. 7 is a front view of the dispensing device in FIG. 1.
Broken lines are included for the purpose of illustrating environmental structure and form no part of the claimed design. Randomly dashed lines represent surface shading.

1 Claim, 4 Drawing Sheets

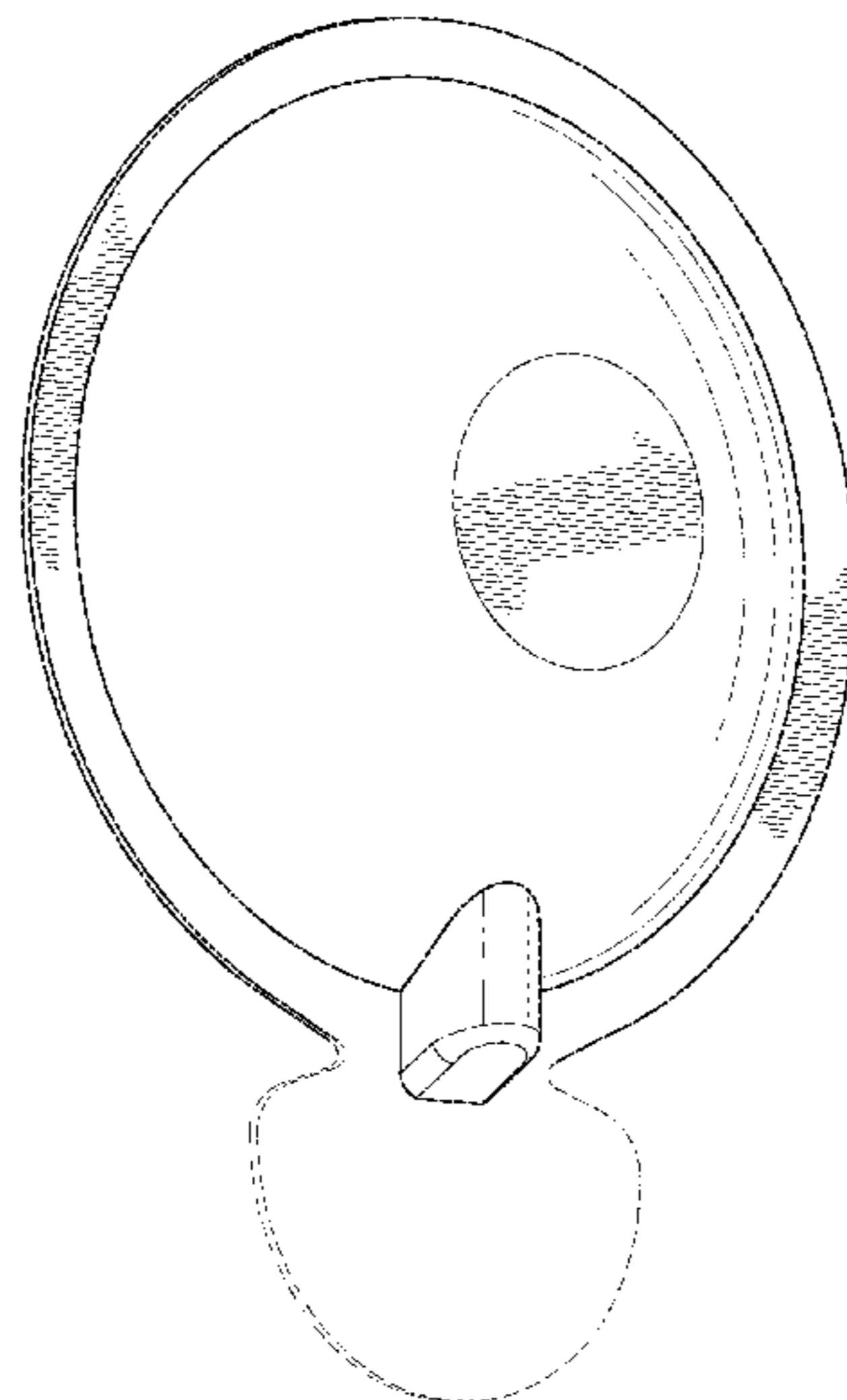
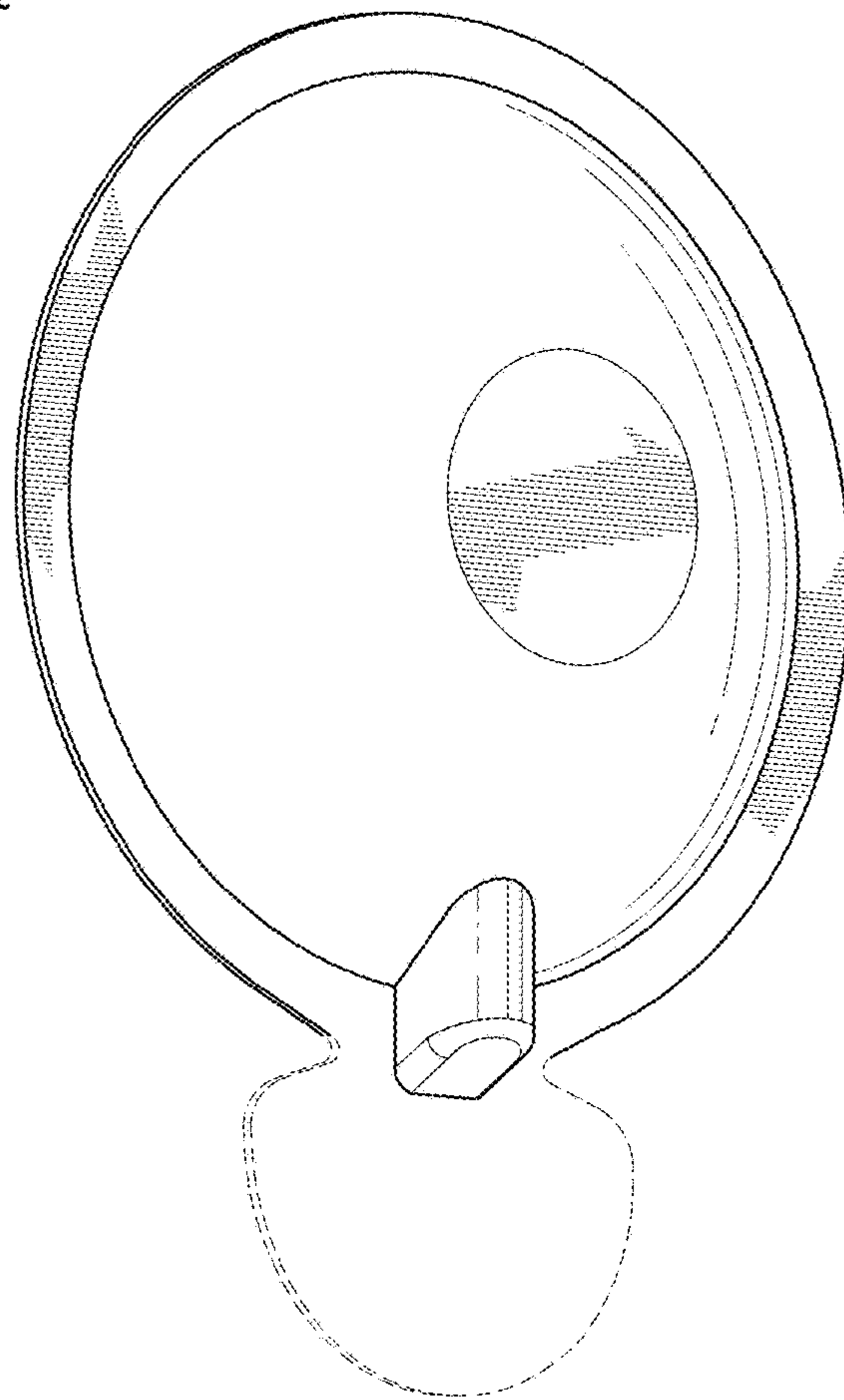


FIG. 1



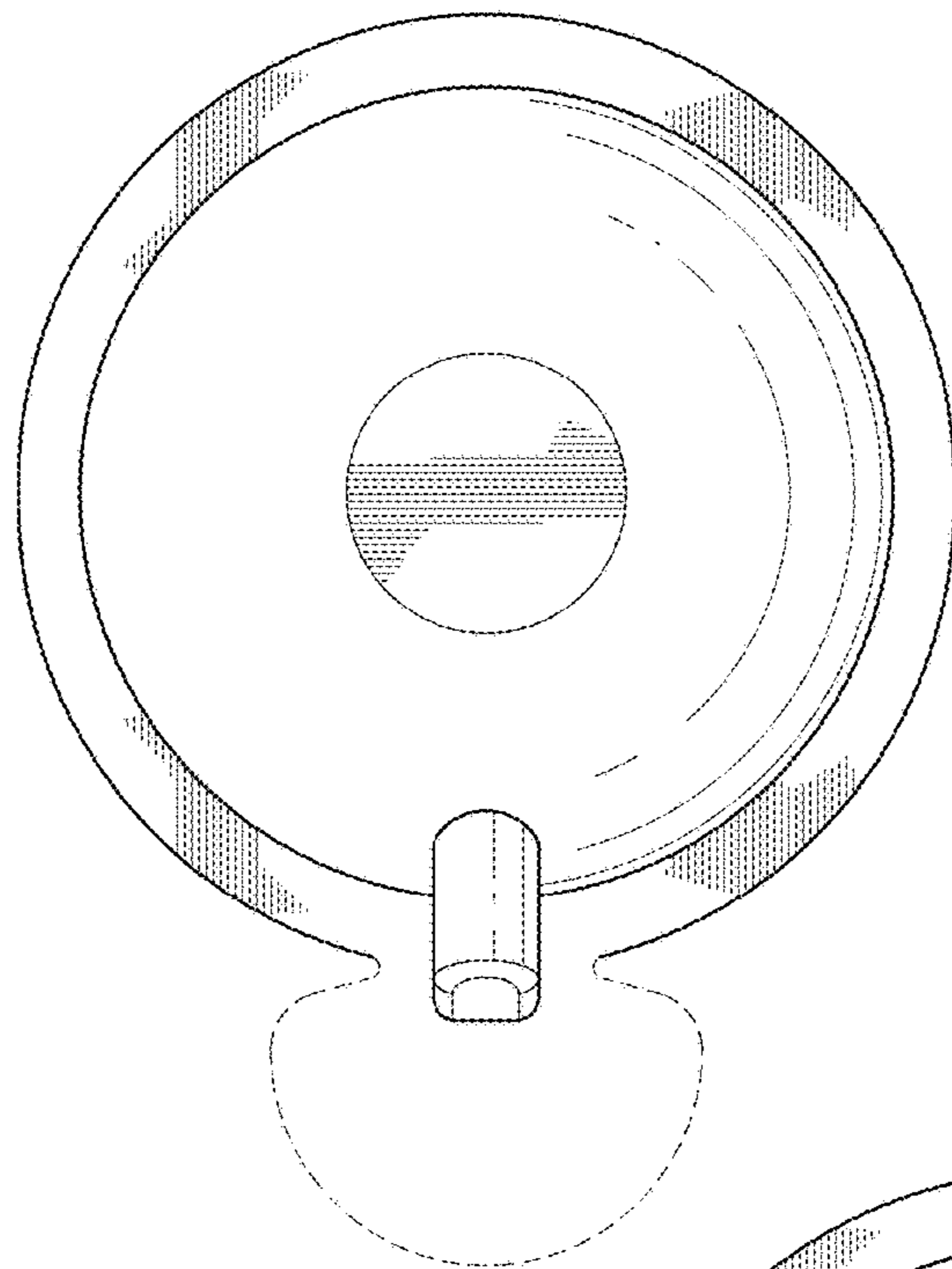


FIG. 2

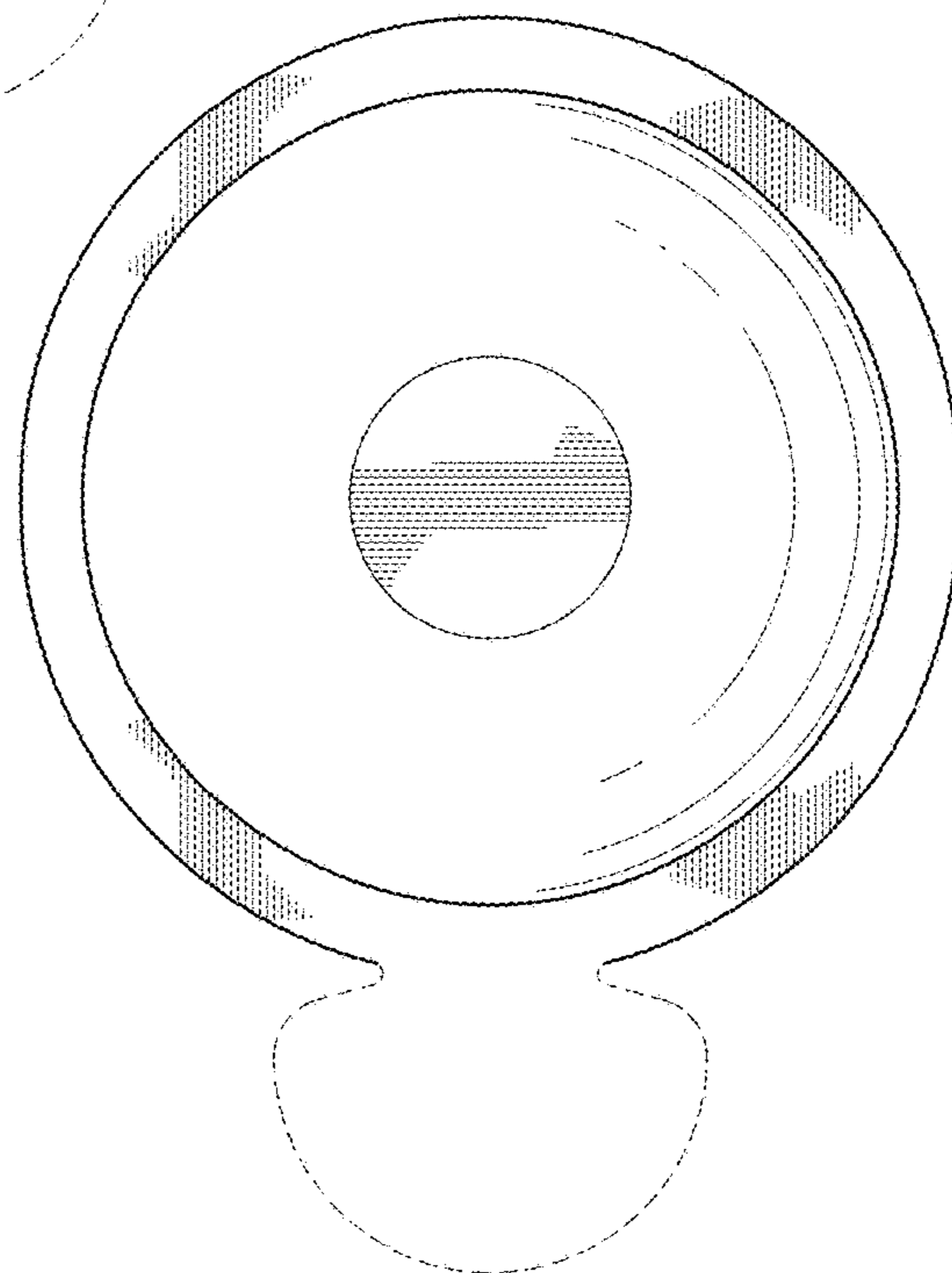


FIG. 3

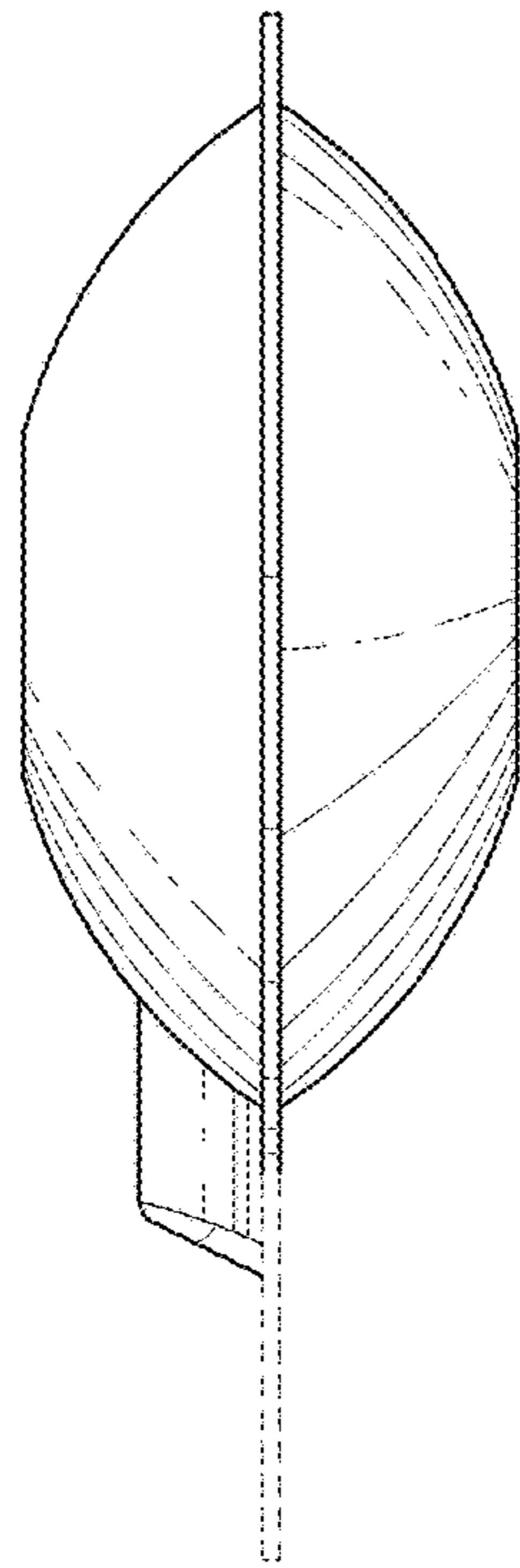


FIG. 4

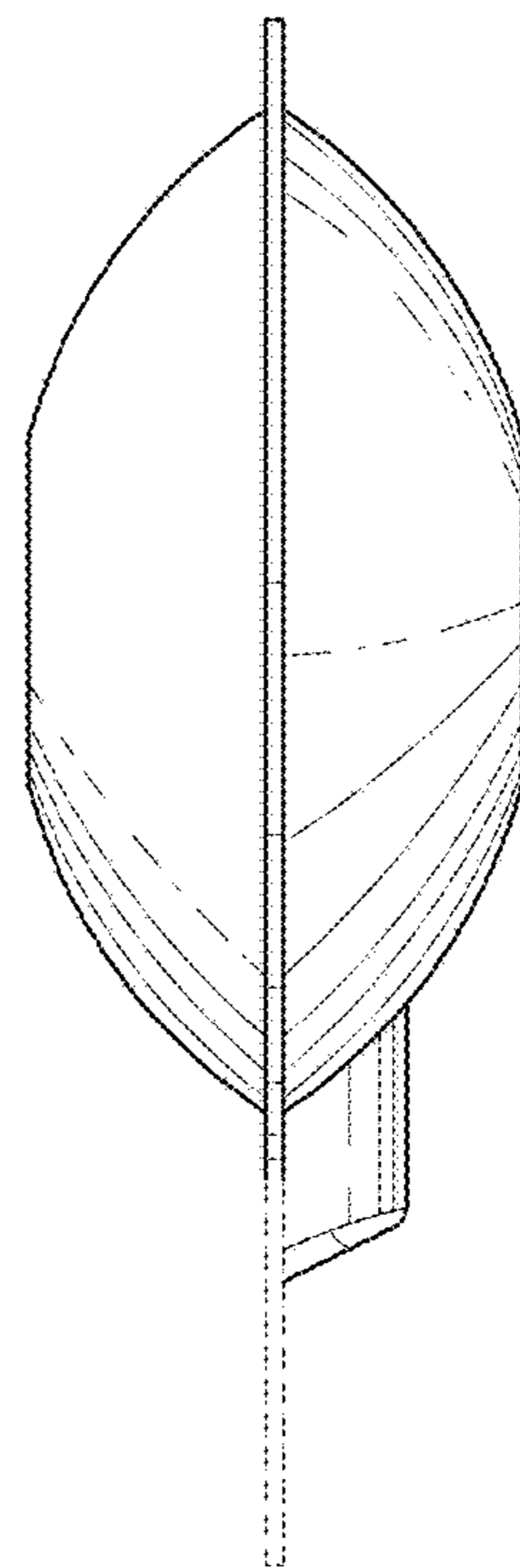


FIG. 5

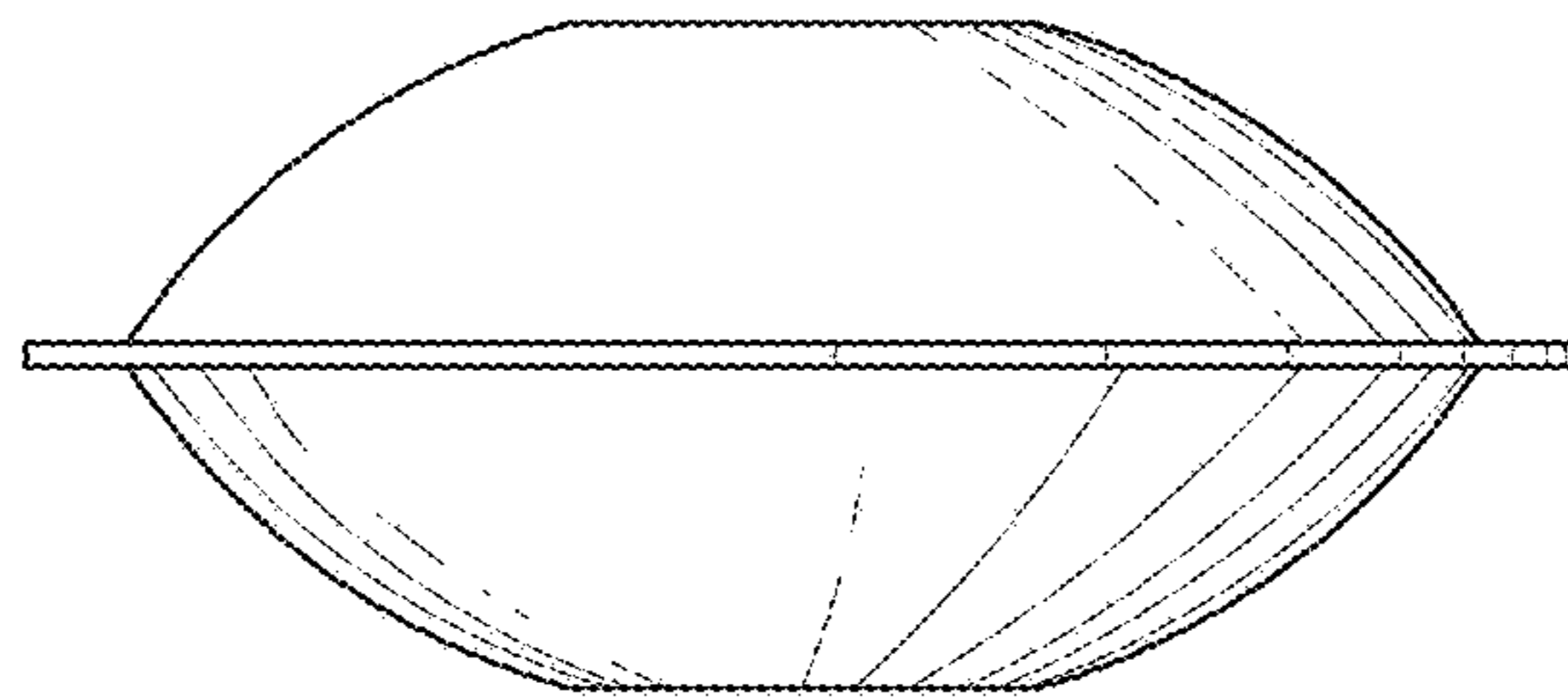


FIG. 6

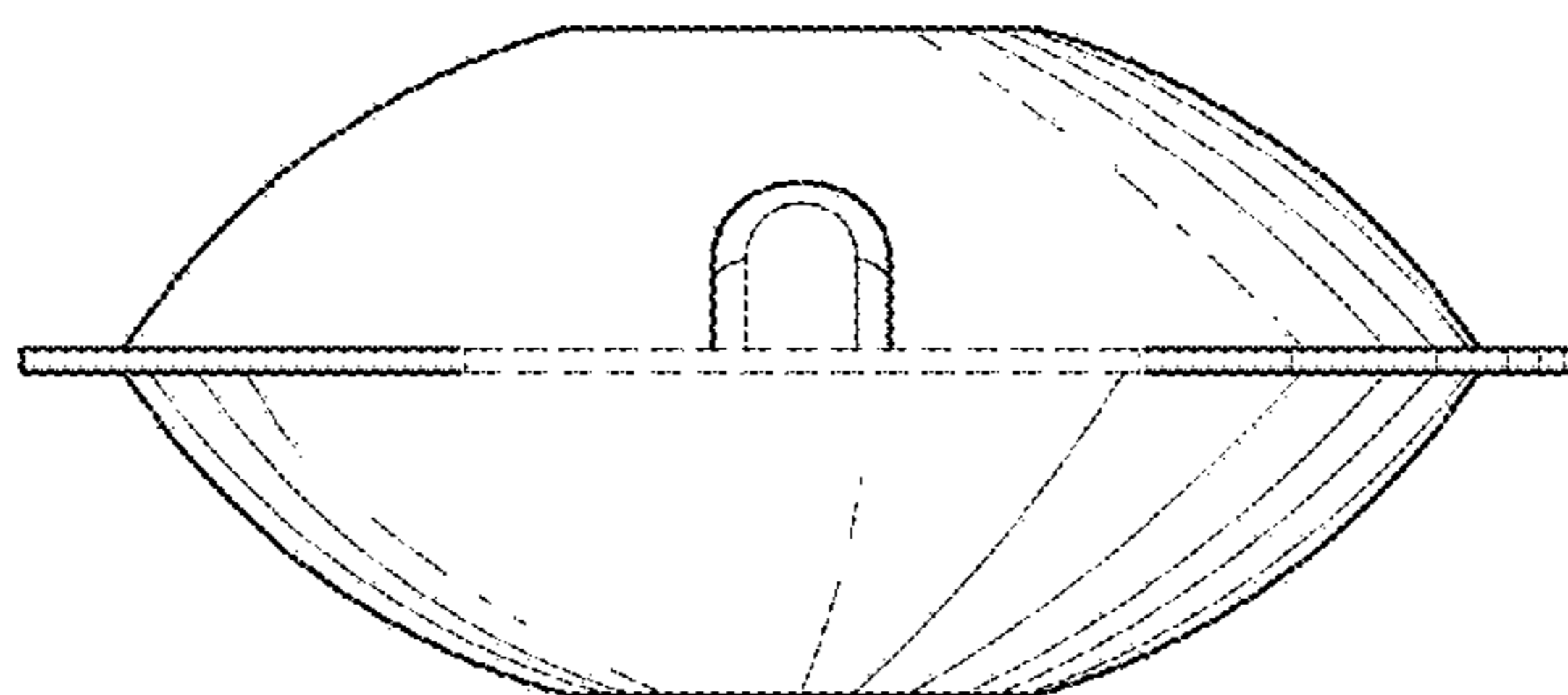


FIG. 7